

US00D866605S

(12) **United States Design Patent** (10) **Patent No.:** **US D866,605 S**  
**Chou** (45) **Date of Patent:** **\*\* Nov. 12, 2019**

- (54) **AIR COMPRESSOR**
- (71) Applicant: **UNIK WORLD INDUSTRIAL CO., LTD.**, Tainan (TW)
- (72) Inventor: **Wen-San Chou**, Tainan (TW)
- (73) Assignee: **UNIK WORLD INDUSTRIAL CO., LTD.**, Tainan (TW)
- (\*\*) Term: **15 Years**
- (21) Appl. No.: **29/654,048**
- (22) Filed: **Jun. 20, 2018**
- (51) **LOC (12) Cl.** ..... **15-02**
- (52) **U.S. Cl.**  
USPC ..... **D15/9**
- (58) **Field of Classification Search**  
USPC ..... D15/7-9; D23/231, 232  
CPC ..... F04B 41/00-41/06; F04B 31/00; F04B 35/00; F04B 53/92; F04B 1/005; F02M 37/04; F02M 37/14  
See application file for complete search history.

- D703,241 S \* 4/2014 Eckhardt ..... D15/9
- D722,618 S \* 2/2015 Wong ..... D15/9
- D723,588 S \* 3/2015 Wang ..... D15/9
- 8,978,716 B2 \* 3/2015 Chou ..... B60S 5/043  
137/231
- D727,973 S \* 4/2015 Jhou ..... D15/9
- 9,027,608 B2 \* 5/2015 Chou ..... B29C 73/166  
141/38
- D734,367 S \* 7/2015 Jhou ..... D15/9
- D754,209 S \* 4/2016 Chou ..... D15/7
- D805,558 S \* 12/2017 Agostini ..... D15/7
- 9,868,420 B2 \* 1/2018 Chou ..... F04B 35/04
- 9,879,665 B2 \* 1/2018 Chou ..... F04B 35/04
- D814,524 S \* 4/2018 Costle ..... D15/7
- 9,957,966 B2 \* 5/2018 Chou ..... F04B 35/04
- D828,404 S \* 9/2018 Gan ..... D15/9
- 10,077,770 B2 \* 9/2018 Chou ..... F04B 53/16
- D832,893 S \* 11/2018 Petrelli ..... D15/9
- D839,924 S \* 2/2019 Tuang ..... D15/9

\* cited by examiner

*Primary Examiner* — Mitchell I. Siegel  
(74) *Attorney, Agent, or Firm* — Sinorica, LLC

(57) **CLAIM**

The ornamental design for an air compressor, as shown.

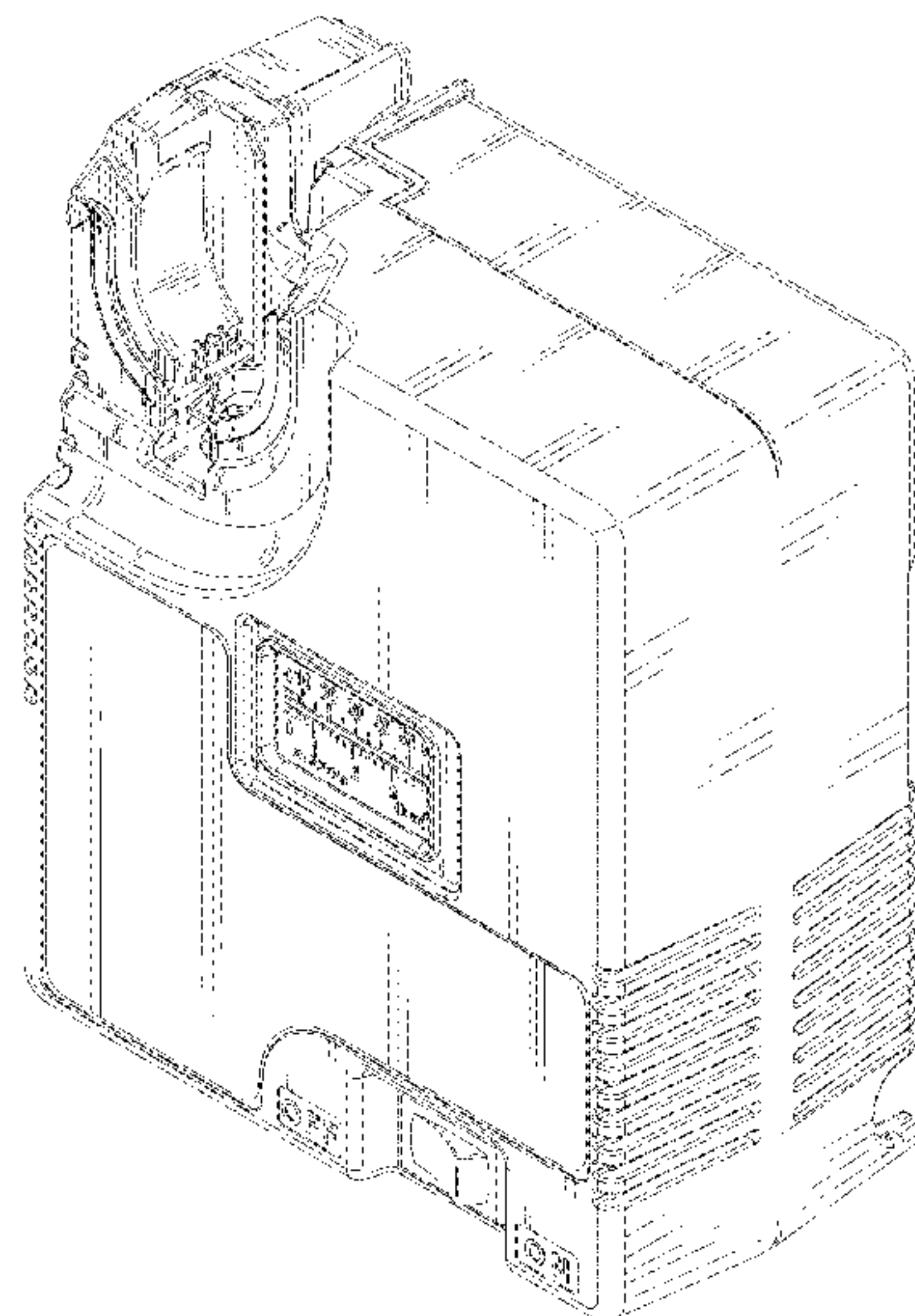
**DESCRIPTION**

FIG. 1 is a first perspective view of an air compressor showing my new design thereof;  
FIG. 2 is a front elevational view thereof;  
FIG. 3 is a rear elevational view thereof;  
FIG. 4 is a left side elevational view thereof;  
FIG. 5 is a right side elevational view thereof;  
FIG. 6 is a top plan view thereof;  
FIG. 7 is a bottom plan view thereof; and,  
FIG. 8 is a second perspective view of an air compressor showing my new design thereof.

**1 Claim, 8 Drawing Sheets**

(56) **References Cited**  
U.S. PATENT DOCUMENTS

- D498,243 S \* 11/2004 Chou ..... D15/7
- D498,767 S \* 11/2004 Chou ..... D15/7
- D498,769 S \* 11/2004 Chou ..... D15/9
- D499,426 S \* 12/2004 Chou ..... D15/7
- D582,945 S \* 12/2008 Chou ..... D15/9
- D626,571 S \* 11/2010 Eckhardt ..... D15/9
- D627,795 S \* 11/2010 Eckhardt ..... D15/9
- D629,424 S \* 12/2010 Eckhardt ..... D15/9
- D644,252 S \* 8/2011 Kojima ..... D15/9
- D657,801 S \* 4/2012 Eckhardt ..... D15/9
- D672,368 S \* 12/2012 Wong ..... D15/9
- D678,351 S \* 3/2013 Wong ..... D15/9



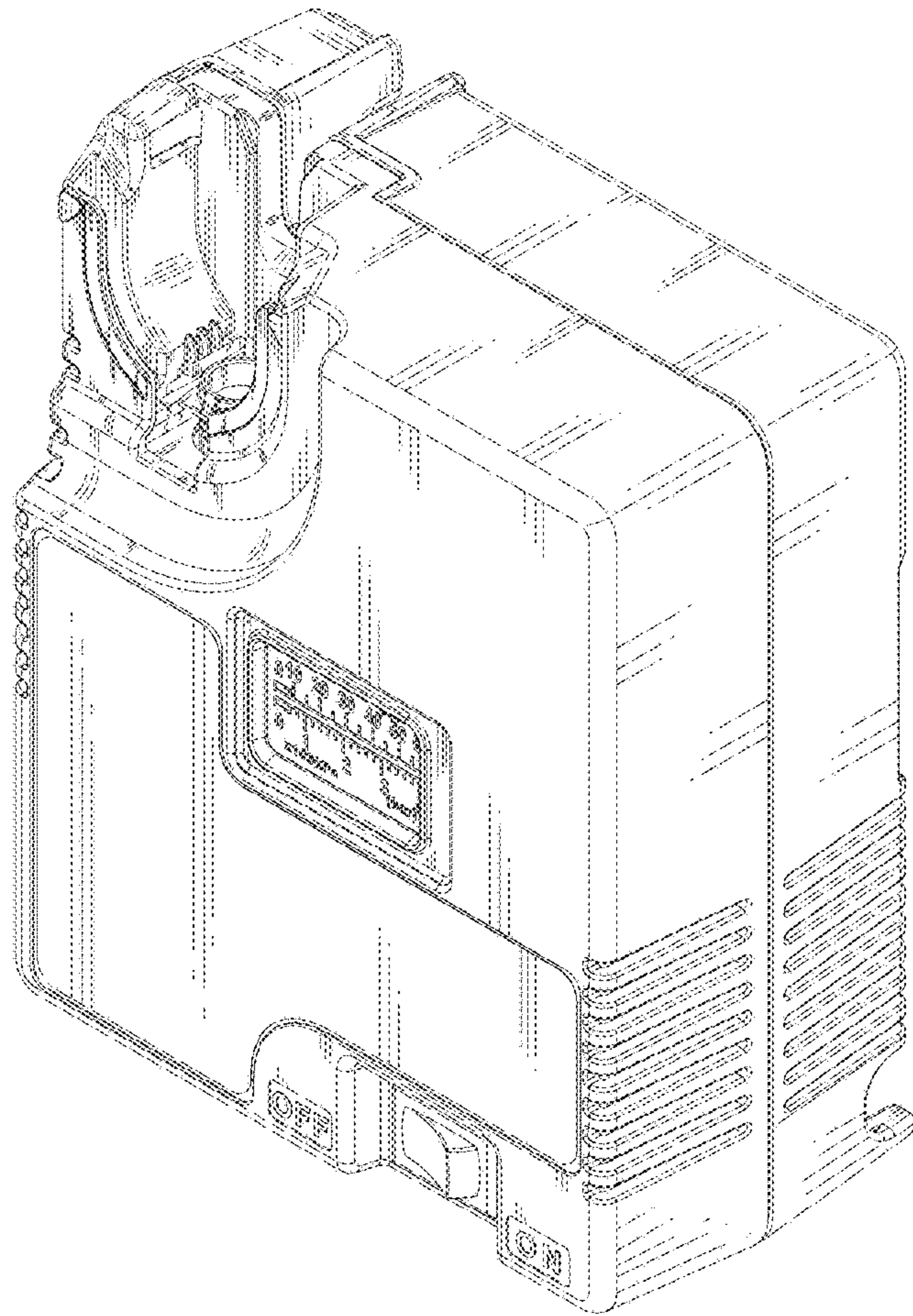


FIG. 1

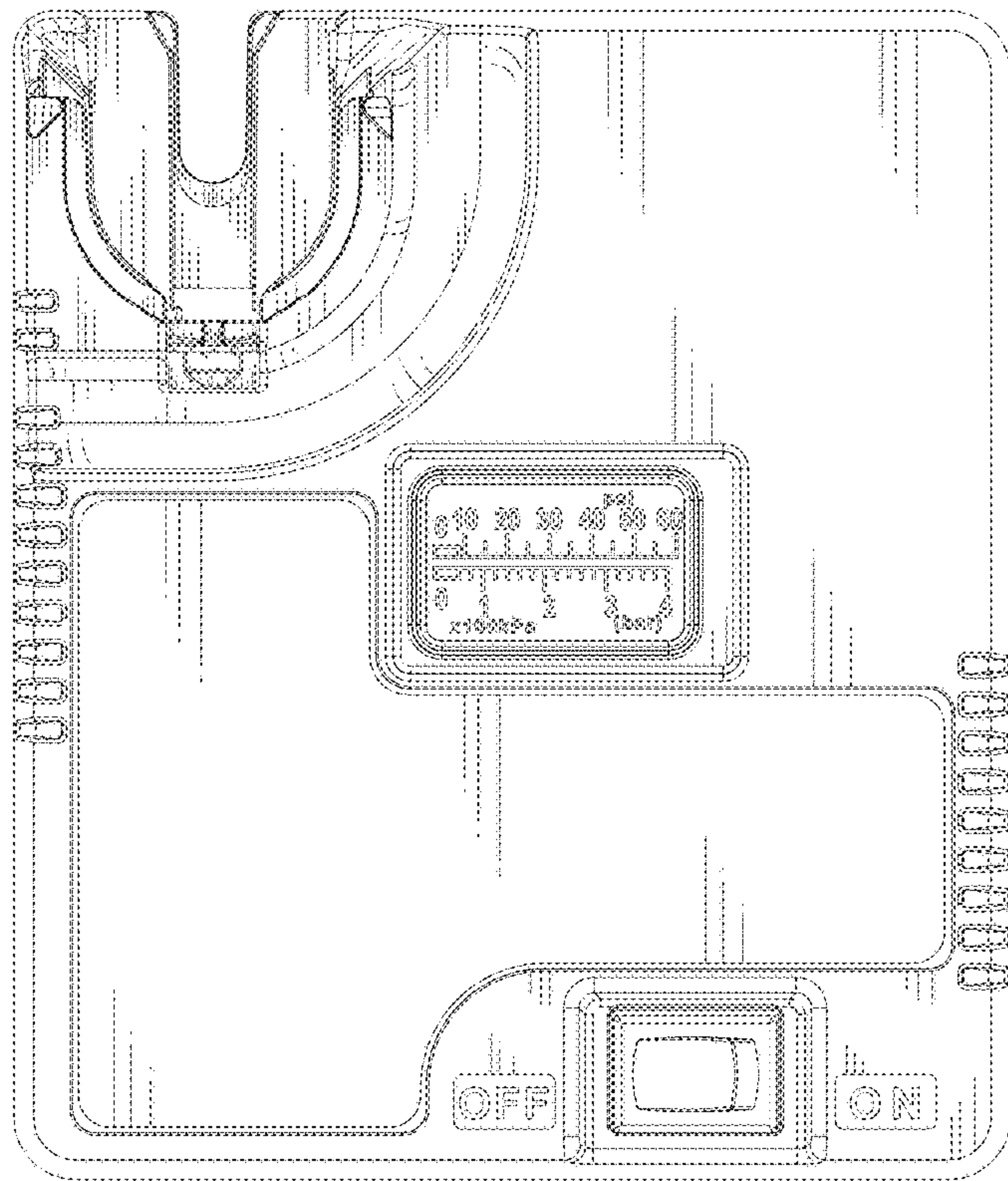


FIG. 2



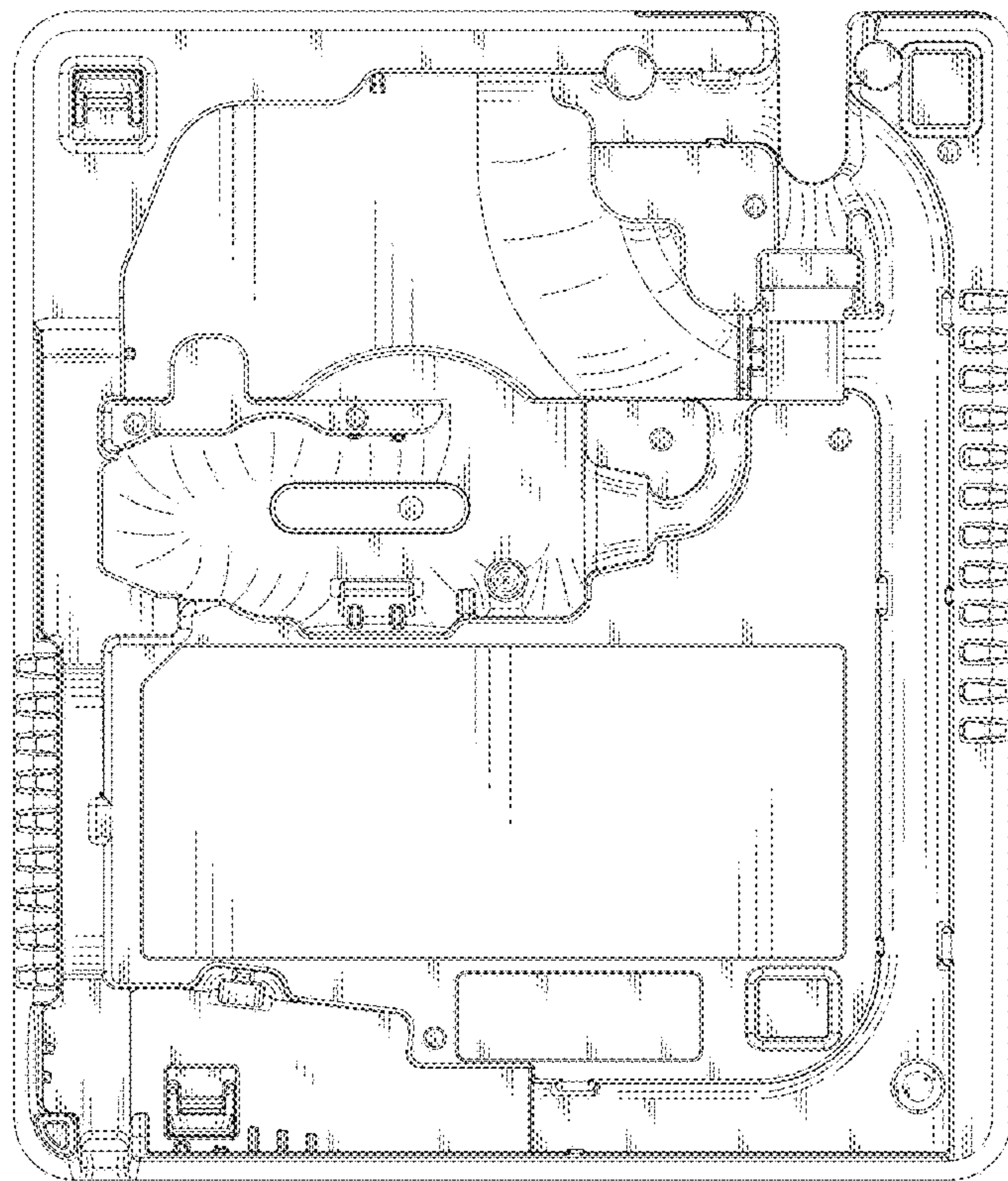


FIG. 3

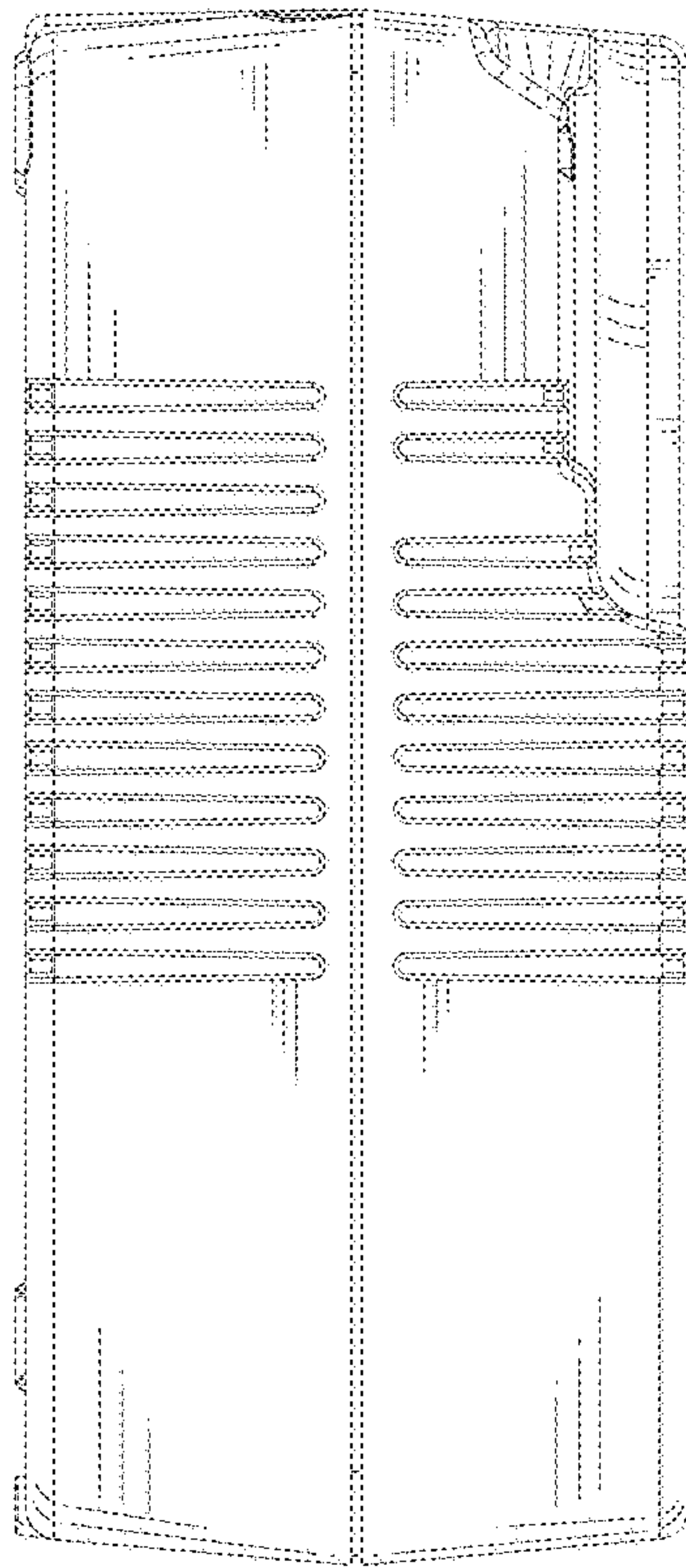


FIG. 4

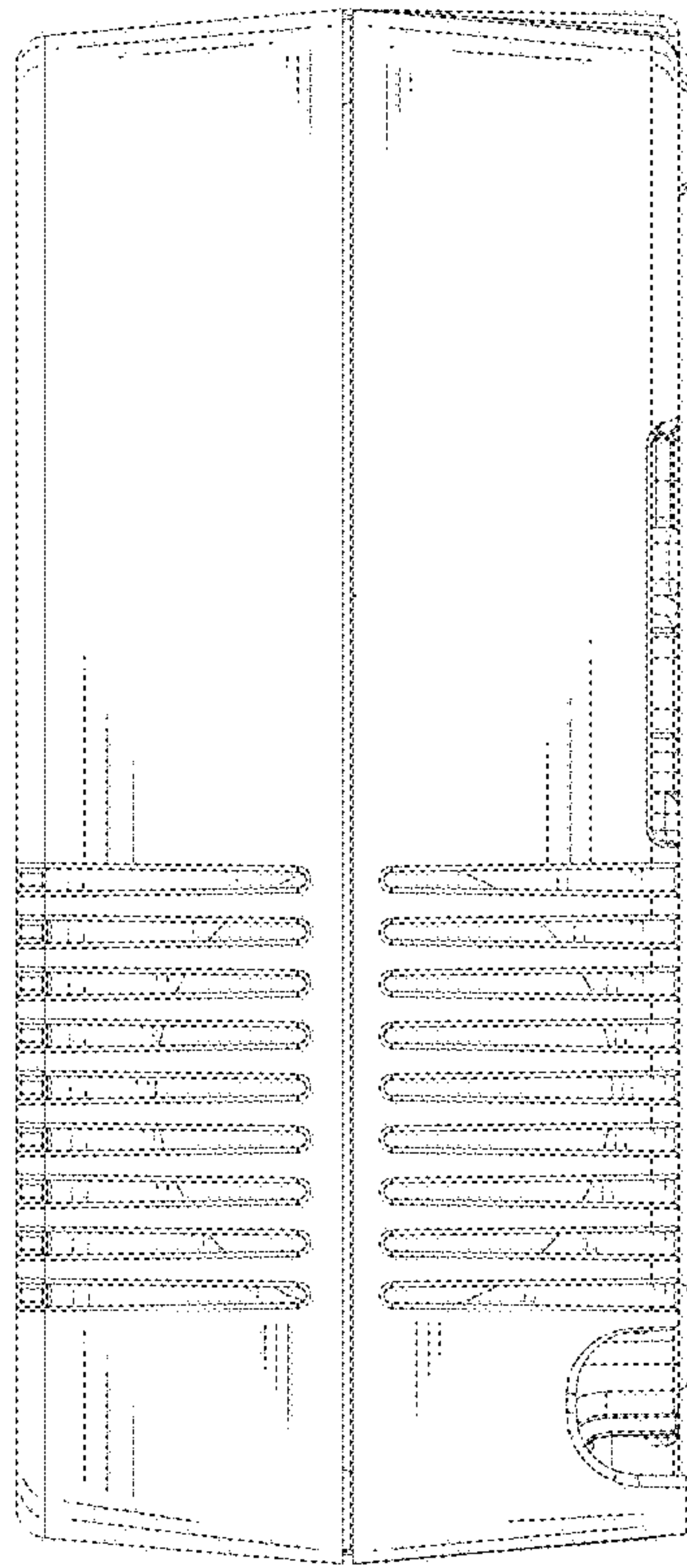


FIG. 5

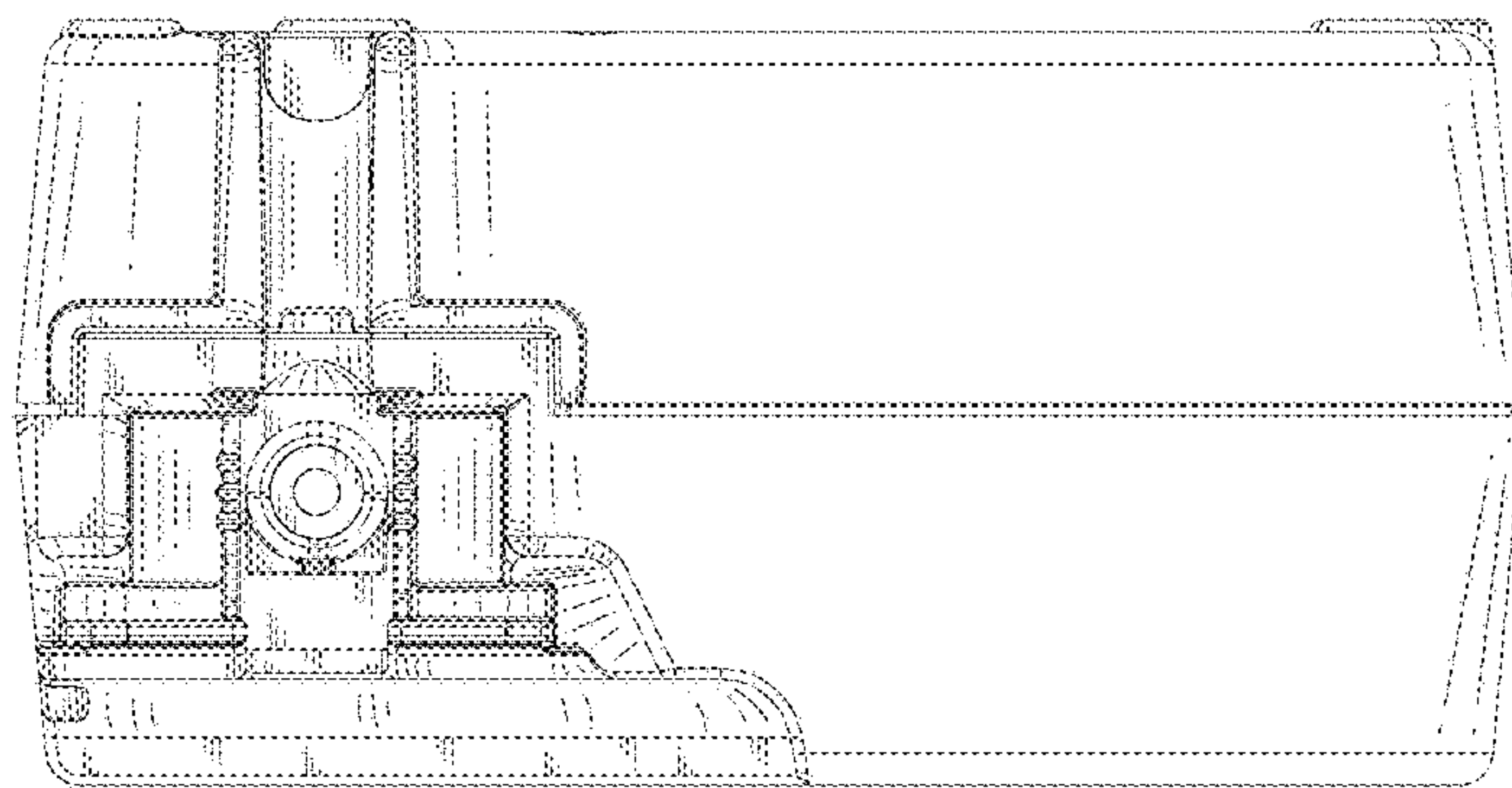


FIG. 6

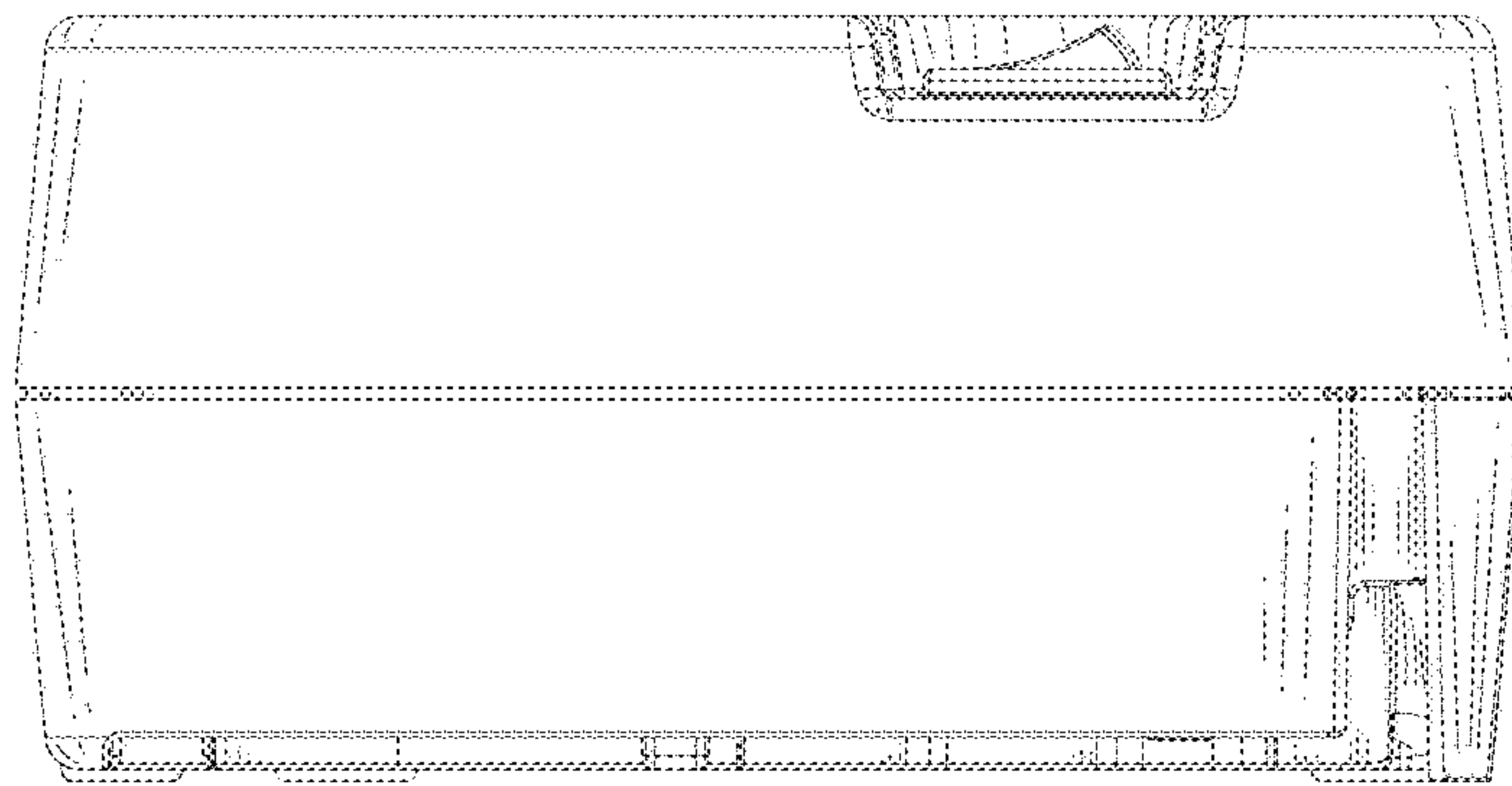


FIG. 7



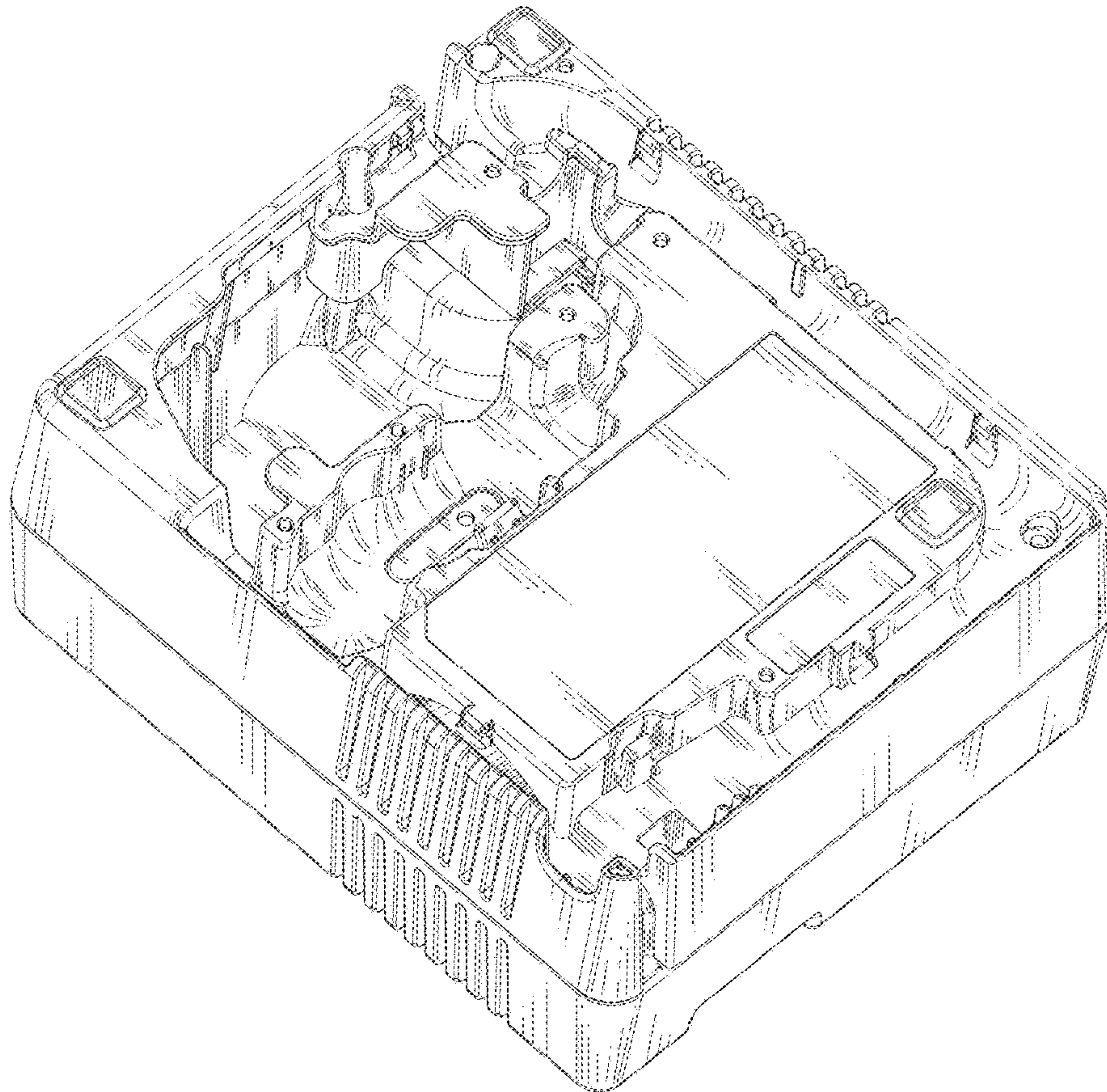


FIG. 8