



US00D866603S

(12) **United States Design Patent** (10) **Patent No.:** **US D866,603 S**
Pratley (45) **Date of Patent:** **** Nov. 12, 2019**

(54) **ELASTOMER SERIES COUPLING DAMPER FOR SUPERCHARGER**

(71) Applicant: **Eaton Corporation**, Cleveland, OH (US)

(72) Inventor: **Mark Harold Pratley**, Marshall, MI (US)

(73) Assignee: **Eaton Corporation**, Cleveland, OH (US)

(**) Term: **15 Years**

(21) Appl. No.: **29/574,632**

(22) Filed: **Aug. 17, 2016**

(51) **LOC (12) Cl.** **15-01**

(52) **U.S. Cl.**
USPC **D15/5**

(58) **Field of Classification Search**
USPC D15/1-7
CPC F04C 18/084; F04C 18/16; F04C 18/18;
F04C 18/126; F04C 29/12; F04C
29/0071; F04C 29/005; F04C 29/0078;
F16D 3/70
See application file for complete search history.

(56) **References Cited**

U.S. PATENT DOCUMENTS

764,103	A *	7/1904	Baehr	F16D 3/70 464/71
2,879,650	A	3/1959	Martin		
2,972,240	A *	2/1961	Wood	F16D 3/70 464/71
4,944,278	A	7/1990	Woodard		
5,910,049	A	6/1999	DeWachter et al.		
6,253,747	B1	7/2001	Sell et al.		
6,425,749	B1	7/2002	Lettner et al.		
7,681,559	B2 *	3/2010	Pratley	F02B 33/38 123/559.1

(Continued)

FOREIGN PATENT DOCUMENTS

DE	102017003903	A1 *	10/2018	F16D 3/70
SU	740991	A	6/1980		
SU	1123554	A	7/1984		

OTHER PUBLICATIONS

International Search Report and Written Opinion for International Application No. PCT/US2014/033446 dated Aug. 28, 2014, 2 pages.

(Continued)

Primary Examiner — T Chase Nelson

Assistant Examiner — Ania K Aman

(74) *Attorney, Agent, or Firm* — RMCK Law Group PLC

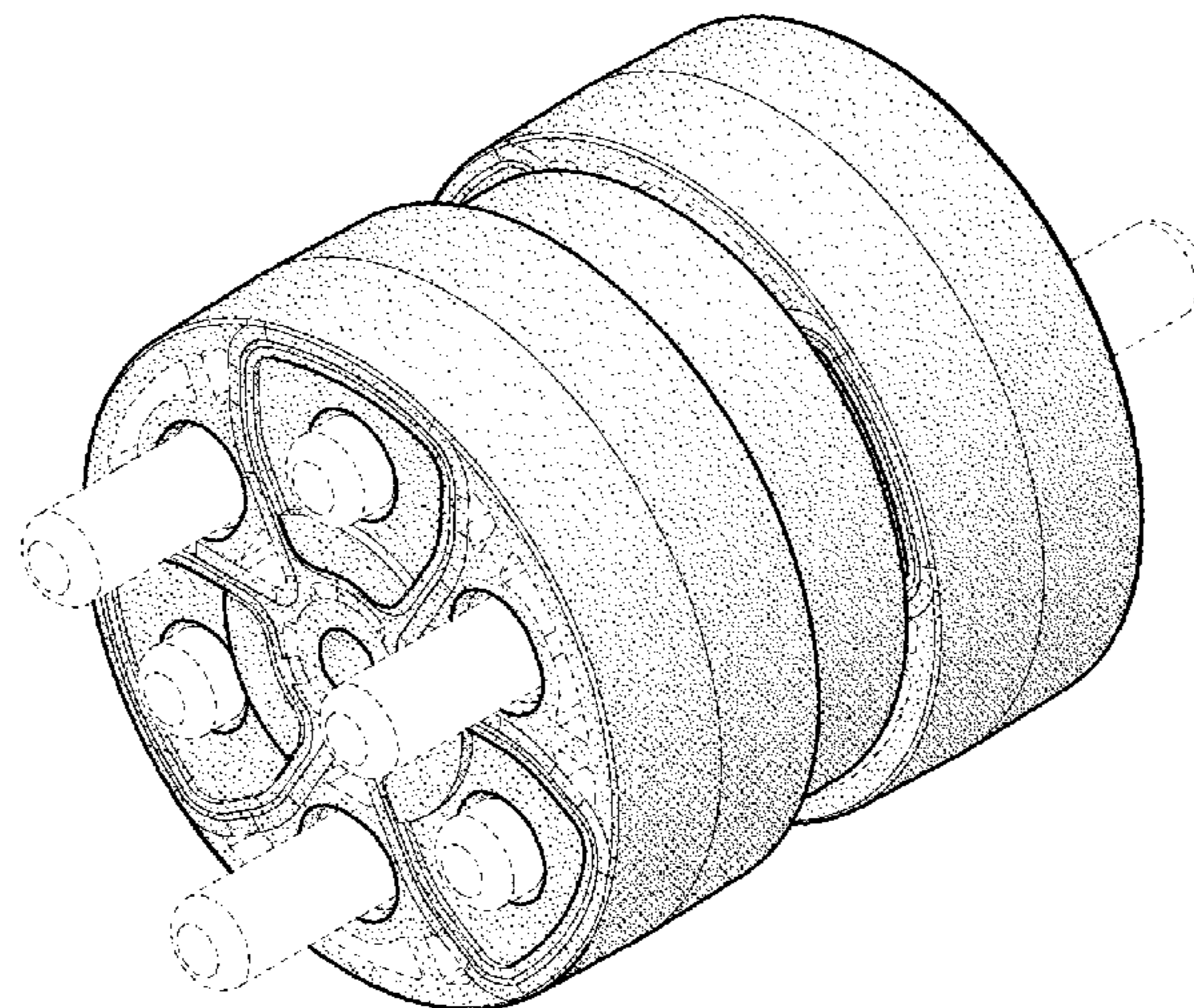
(57) **CLAIM**

The ornamental design for an elastomer series coupling damper for supercharger, as shown and described.

DESCRIPTION

FIG. 1 is a top perspective view of an elastomer series coupling damper for supercharger showing the new design. FIG. 2 is a bottom perspective view of the elastomer series coupling damper for supercharger of FIG. 1. FIG. 3 is a front view of the elastomer series coupling damper for supercharger of FIG. 1. FIG. 4 is a rear view of the elastomer series coupling damper for supercharger of FIG. 1. FIG. 5 is a first side view of the elastomer series coupling damper for supercharger of FIG. 1. FIG. 6 is a second side view of the elastomer series coupling damper for supercharger of FIG. 1. FIG. 7 is a top view of the elastomer series coupling damper for supercharger of FIG. 1; and, FIG. 8 is a bottom view of the elastomer series coupling damper for supercharger of FIG. 1. The broken line showing portions of the elastomer series coupling damper form no part of the claimed design.

1 Claim, 4 Drawing Sheets



(56)

References Cited

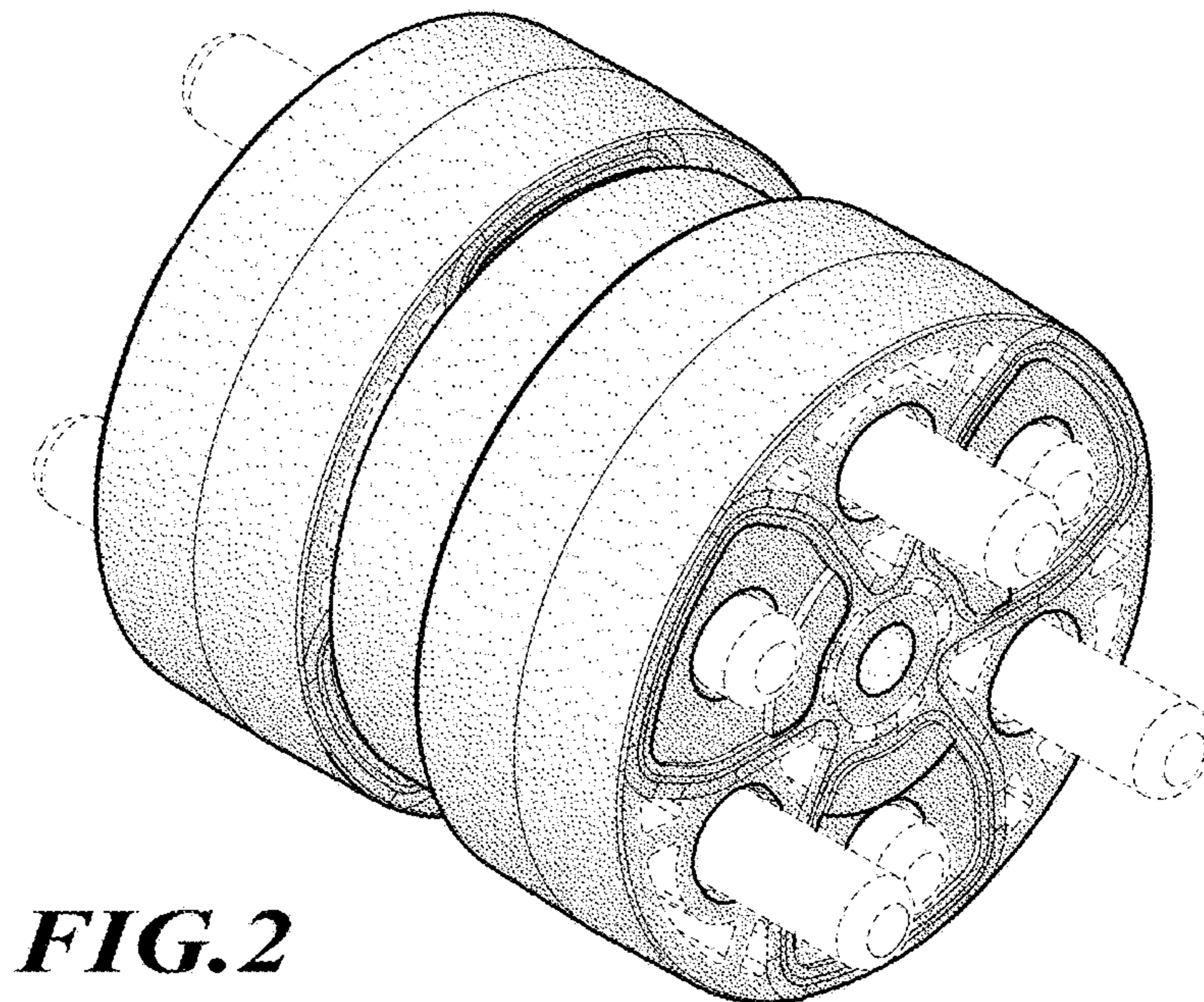
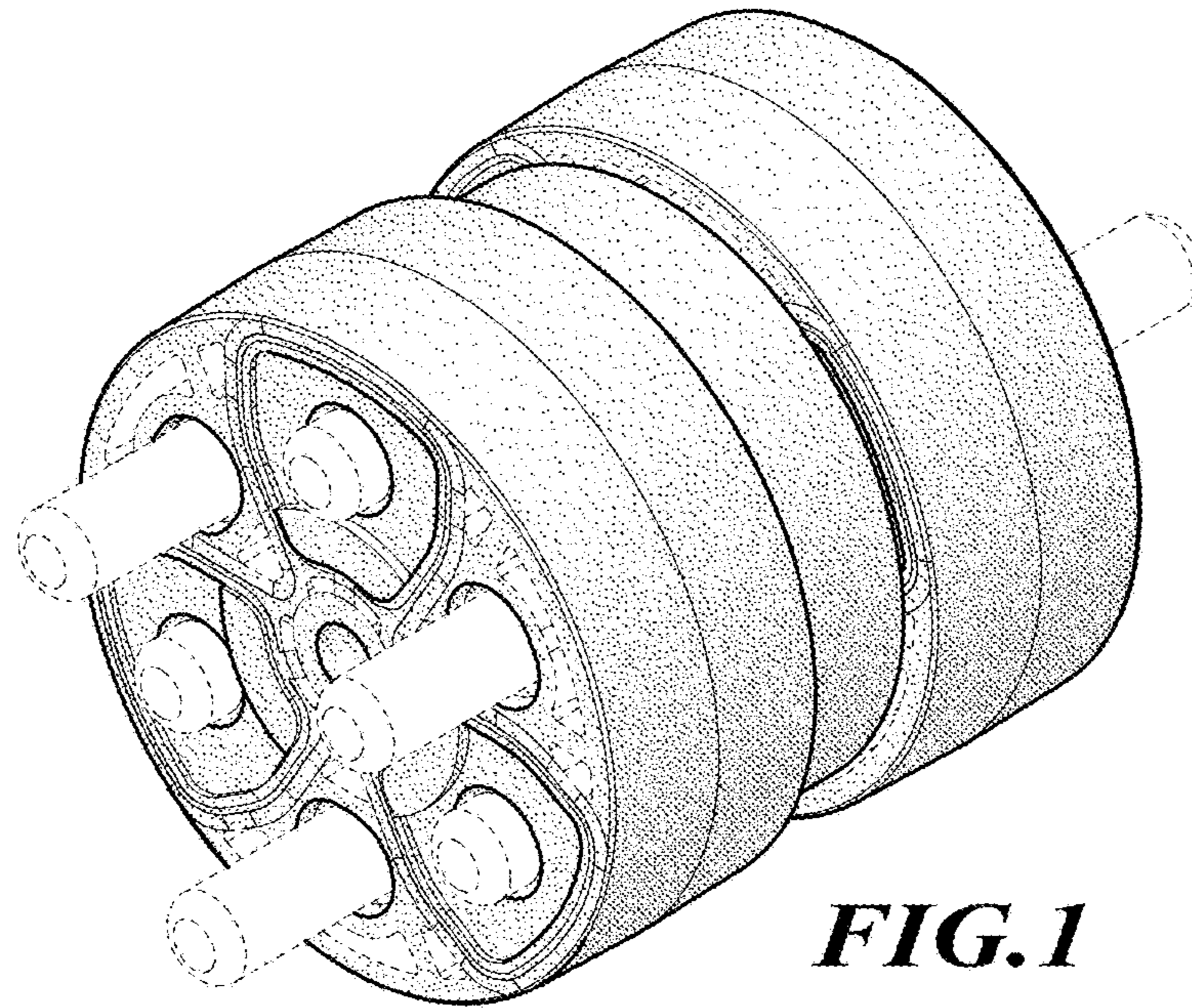
U.S. PATENT DOCUMENTS

D781,345 S * 3/2017 Pratley D15/5
9,651,523 B2 * 5/2017 Klyamkin G01R 33/028
9,803,697 B2 * 10/2017 Witherspoon F02B 39/04
9,982,673 B2 * 5/2018 Ouwenga F02B 33/34
2003/0236122 A1 * 12/2003 Blumke B60K 17/22
464/178
2006/0252555 A1 11/2006 Corey et al.
2007/0082744 A1 4/2007 Corey
2007/0193015 A1 8/2007 Gilbert
2008/0149452 A1 * 6/2008 Pratley F02B 33/38
192/30 V
2016/0032985 A1 * 2/2016 Witherspoon F02B 39/04
464/72
2016/0222966 A1 * 8/2016 Ouwenga F02B 33/34
2016/0356318 A1 * 12/2016 Pratley F02B 33/38
2018/0202444 A1 * 7/2018 Sheen F16D 1/101
2018/0223595 A1 * 8/2018 Anthony E06B 9/42
2018/0347661 A1 * 12/2018 Pratley F16D 3/12

OTHER PUBLICATIONS

International Search Report and Written Opinion for International Application No. PCT/US2015/020947 dated Jun. 23, 2015, 11 pages.

* cited by examiner



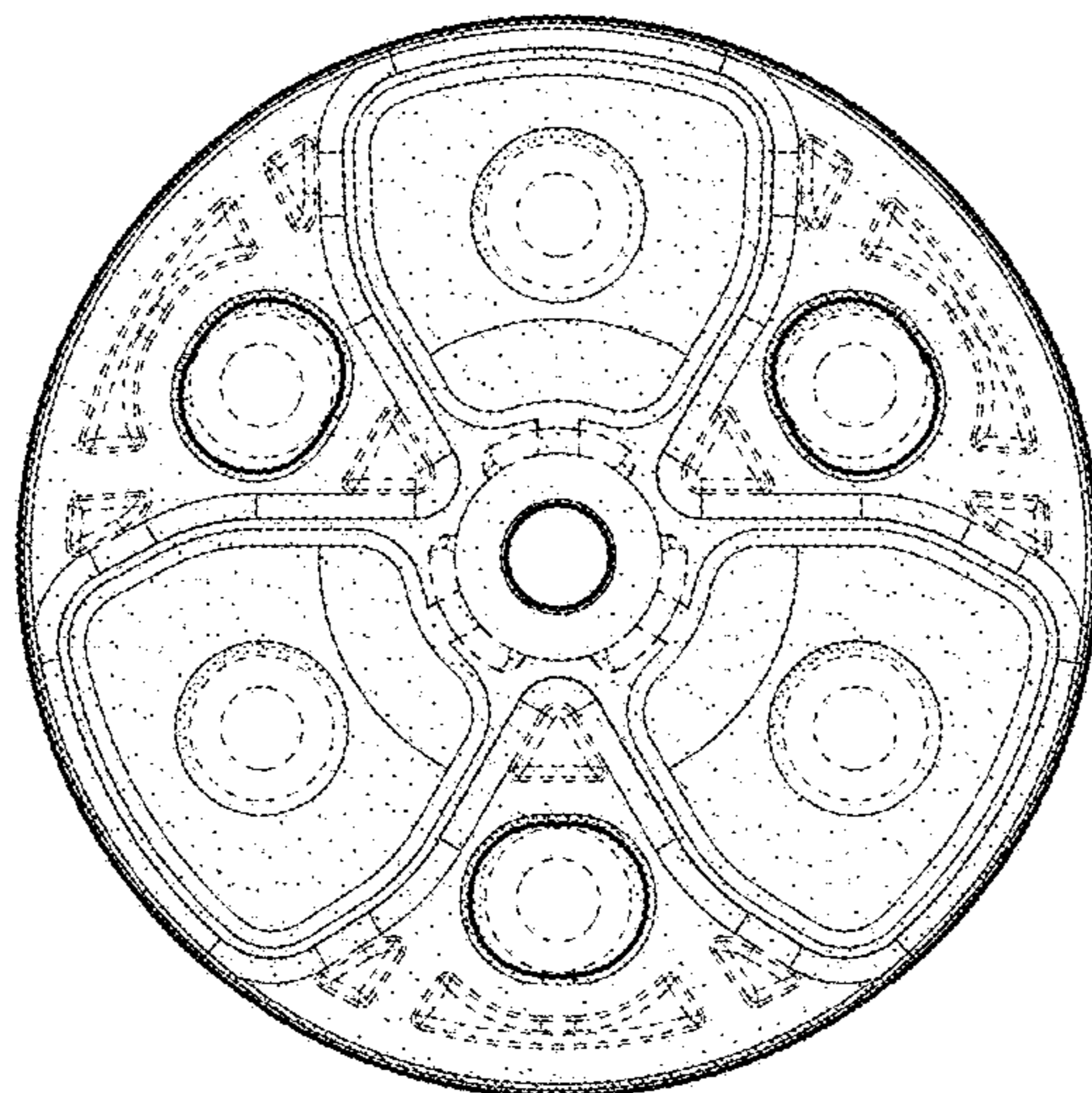


FIG. 3

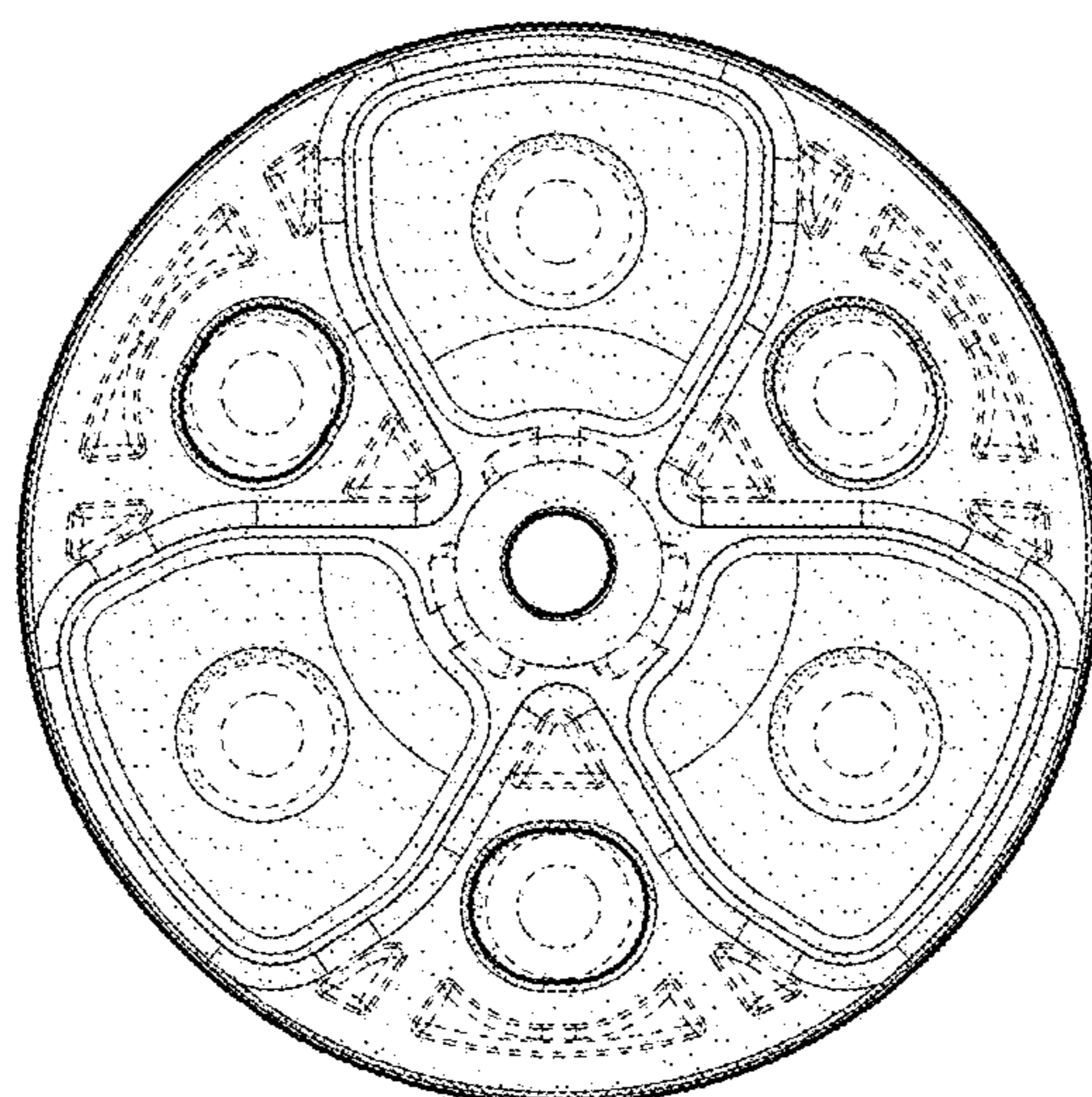


FIG. 4

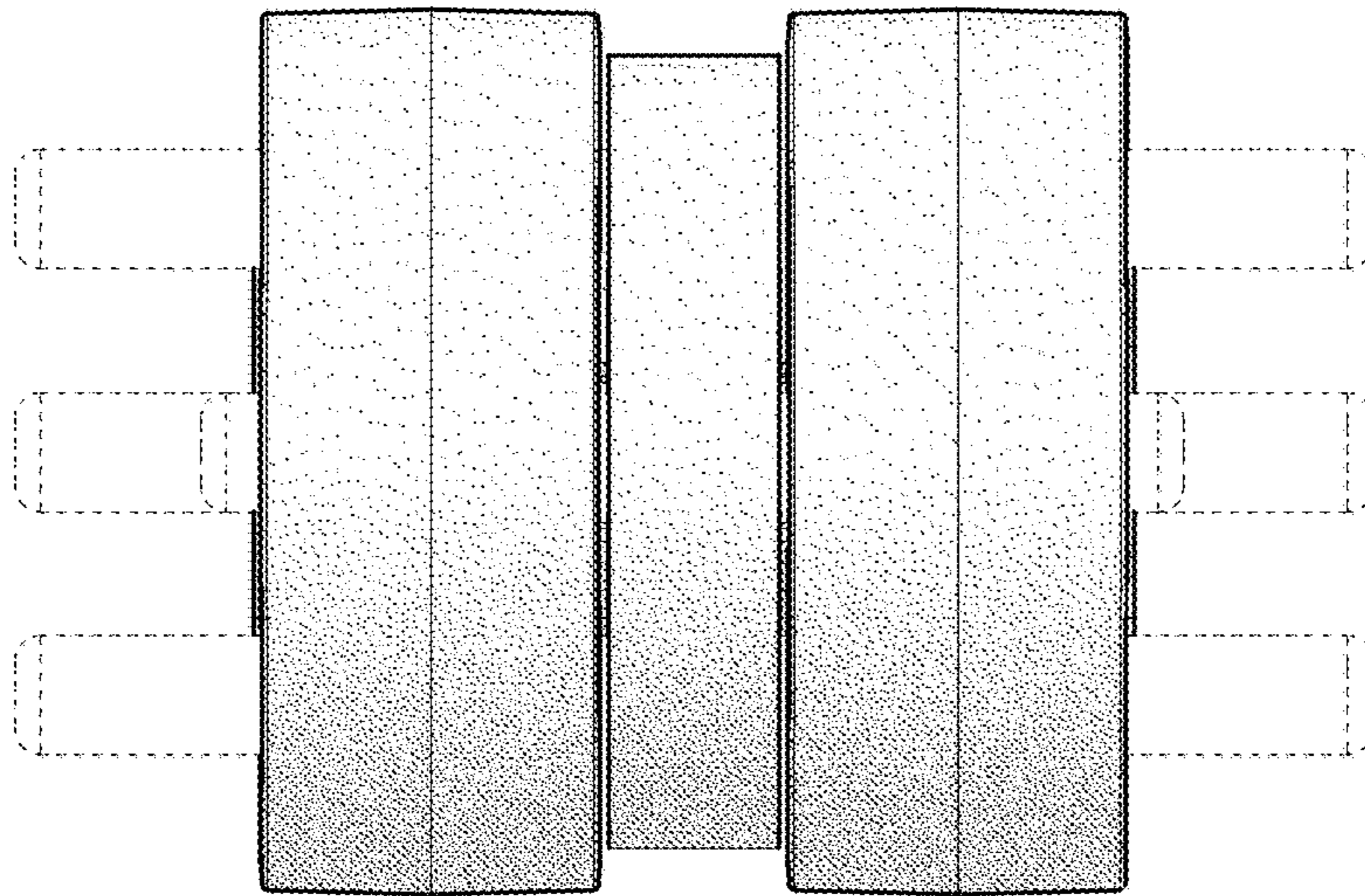


FIG. 5

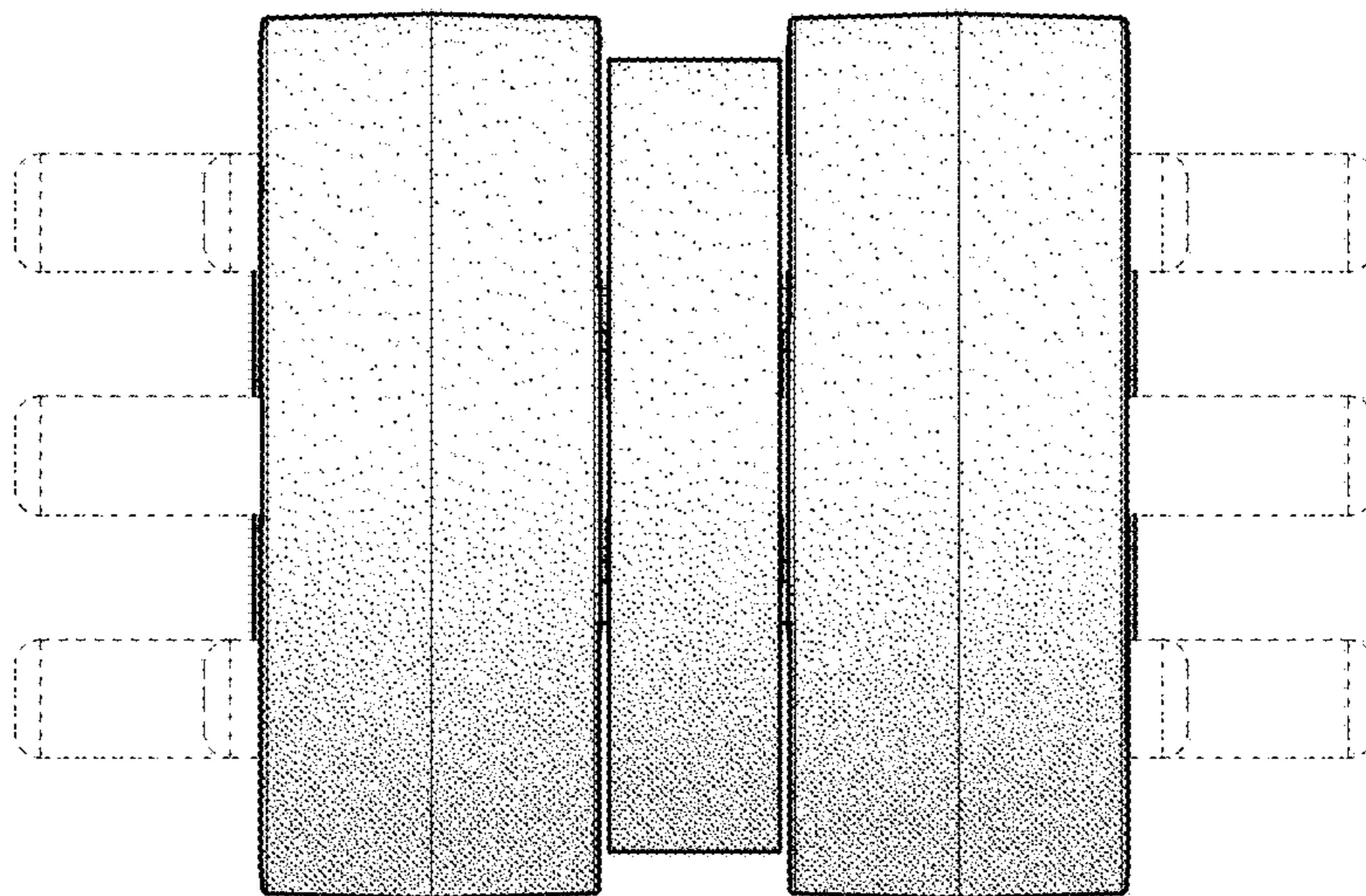


FIG. 6

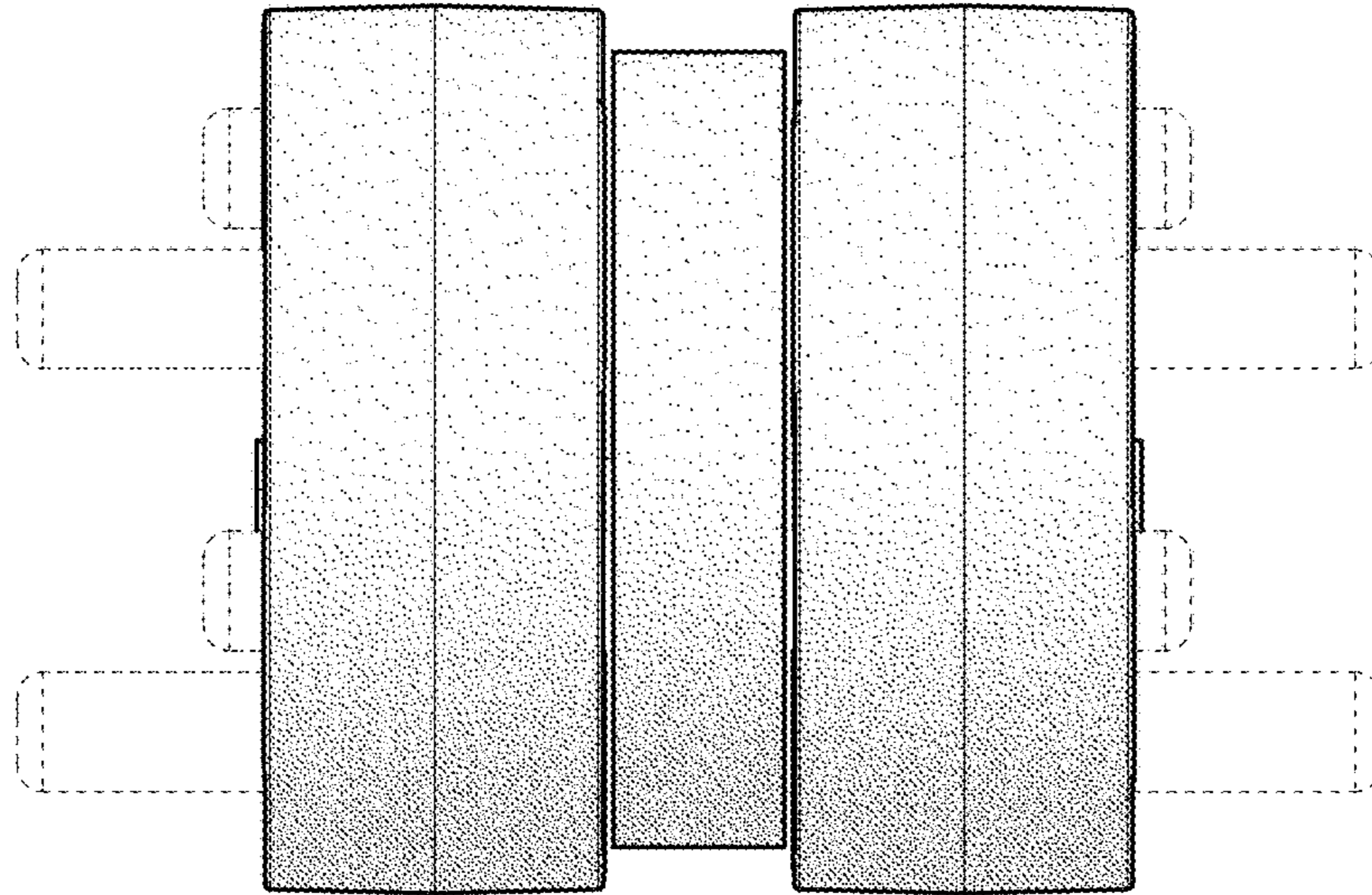


FIG. 7

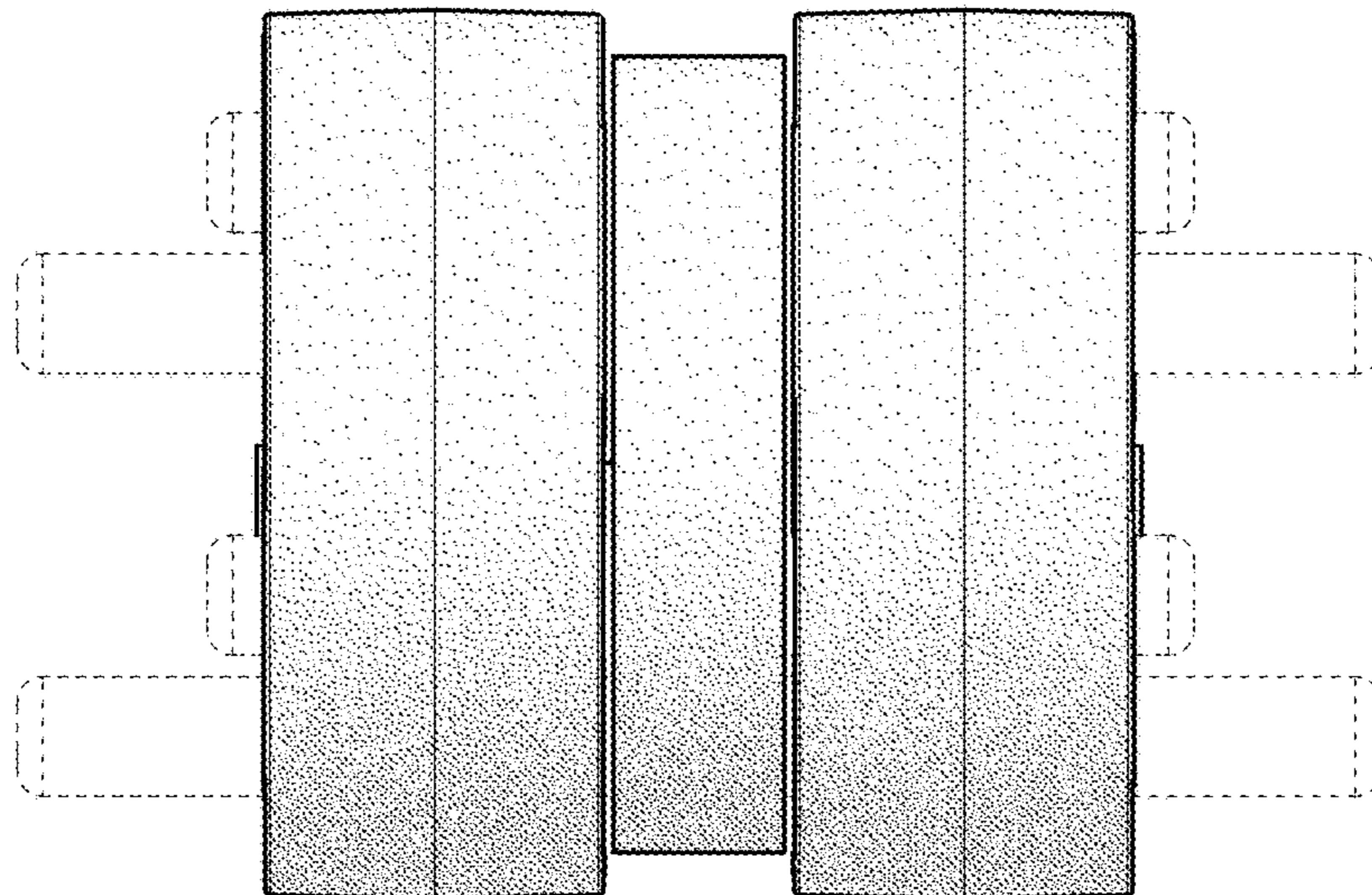


FIG. 8