

US00D866599S

(12) **United States Design Patent** (10) **Patent No.:** **US D866,599 S**  
**Meyer et al.** (45) **Date of Patent:** **\*\* Nov. 12, 2019**

(54) **DISPLAY PANEL OF AN ELECTRONIC DEVICE WITH A CHANGEABLE COMPUTER GENERATED ICON**

D708,221 S \* 7/2014 Danton ..... D14/492  
D716,318 S \* 10/2014 Fan ..... D14/485  
D716,325 S \* 10/2014 Brudnicki ..... D14/486  
D722,079 S \* 2/2015 Charles ..... D14/488  
8,959,457 B2 \* 2/2015 Reed ..... G06F 3/0481  
715/763

(71) Applicant: **TomTom Telematics B.V.**, Amsterdam (NL)

(Continued)

(72) Inventors: **Ulf Meyer**, Leipzig (DE); **Oliver Endemann**, Kassel (DE); **Oliver Gerstheimer**, Kassel (DE); **Falk Möckel**, Leipzig (DE); **Bodo Pfeifer**, Leipzig (DE)

*Primary Examiner* — Sandra S Snapp  
*Assistant Examiner* — Katherine Glennon

(73) Assignee: **TOMTOM TELEMATICS B.V.**, Amsterdam (NL)

(57) **CLAIM**

The ornamental design for a display panel of an electronic device with a changeable computer generated icon, as shown and described.

(\*\*) Term: **15 Years**

**DESCRIPTION**

(21) Appl. No.: **29/613,137**

(22) Filed: **Aug. 10, 2017**

**Related U.S. Application Data**

(63) Continuation of application No. 29/531,310, filed on Jun. 24, 2015, now Pat. No. Des. 797,756.

(51) **LOC (12) Cl.** ..... **14-04**

(52) **U.S. Cl.**  
USPC ..... **D14/492**; D14/485

(58) **Field of Classification Search**  
USPC ..... D14/485–487, 490, 492, 167, 186;  
D10/30–34, 36–39, 122–128, 132  
CPC .. G06F 3/0487; G06F 3/0484; G06F 3/04886;  
G06F 3/0482; G06F 3/044; G06F  
15/0266; G06F 17/30; H04N 5/443;  
H04N 5/445

See application file for complete search history.

(56) **References Cited**

**U.S. PATENT DOCUMENTS**

D697,519 S \* 1/2014 Thomsen ..... D14/485  
D698,363 S \* 1/2014 Asai ..... D14/488

The file of this patent contains at least one drawing or photograph executed in color. Copies of this patent with color drawings/photographs will be provided by the Office upon request and payment of the necessary fee.

FIG. 1 shows a first embodiment of a display panel of an electronic device with a changeable computer generated icon, showing our new design;

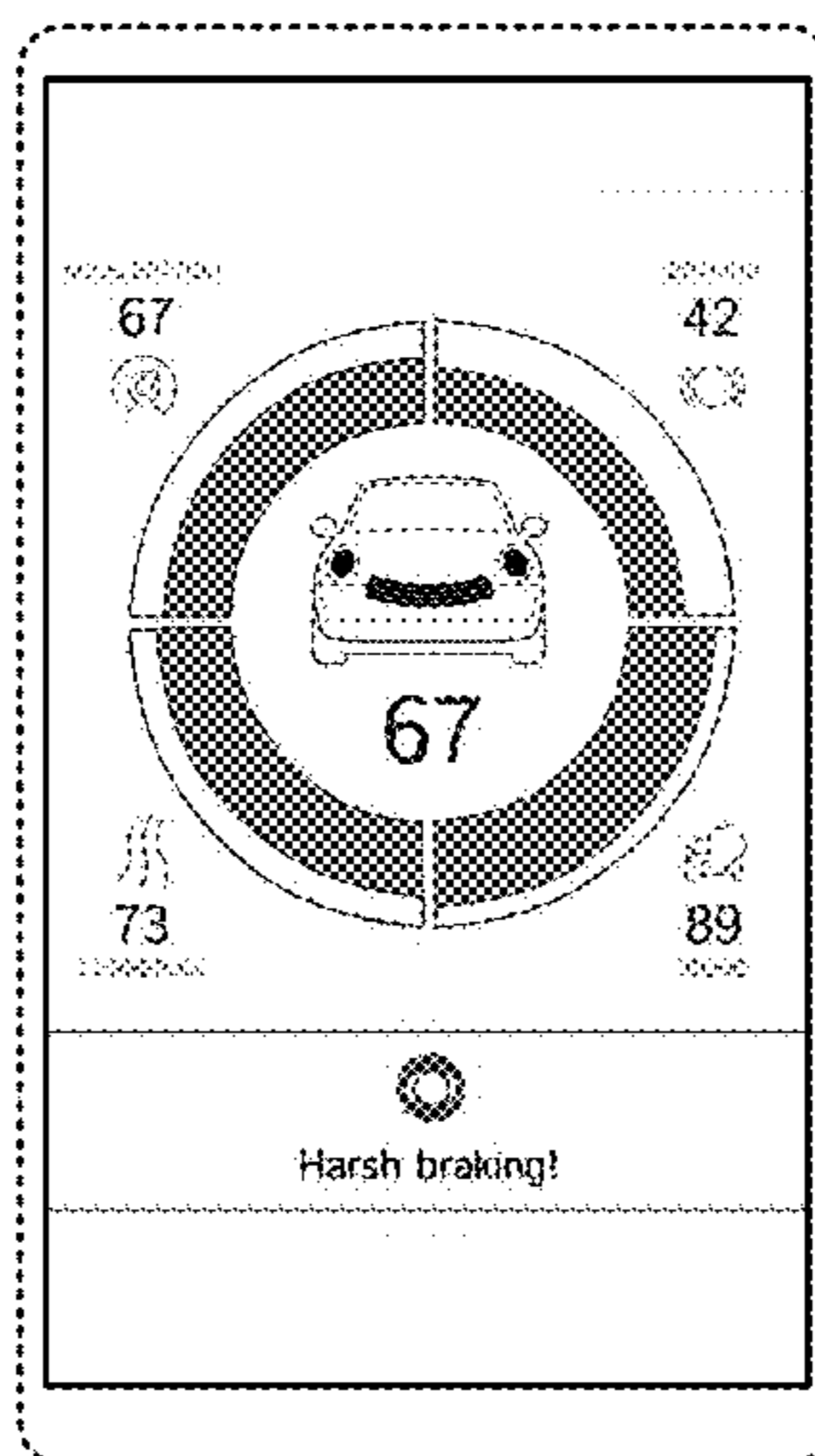
FIG. 2 shows a second embodiment of a display panel of an electronic device with a changeable computer generated icon; and,

FIG. 3 shows a third embodiment of a display panel of an electronic device with a changeable computer generated icon.

The design comprises a changeable computer generated icon on a display panel, such as a liquid crystal display panel, of an electronic device; the device arranged to provide information in real-time to a driver of a vehicle in relation to their driving style.

The broken lines shown in FIGS. 1-3 illustrate the display panel of an electronic device and form no part of the claimed design.

**1 Claim, 3 Drawing Sheets**  
**(2 of 3 Drawing Sheet(s) Filed in Color)**



(56)

## References Cited

## U.S. PATENT DOCUMENTS

D740,301 S \* 10/2015 Soegiono ..... G06F 3/04817  
D14/485  
D747,731 S \* 1/2016 Oliveira ..... D14/486  
D752,624 S \* 3/2016 Butcher ..... D14/486  
D765,718 S \* 9/2016 Vinna ..... D14/488  
D766,267 S \* 9/2016 Lee ..... D14/485  
D772,274 S \* 11/2016 Spector ..... D14/486  
9,501,044 B2 \* 11/2016 Jackson ..... G04G 9/007  
D789,391 S \* 6/2017 Cabrera, Jr. .... D14/486  
D791,812 S \* 7/2017 Bistoni ..... D14/486  
9,721,302 B2 \* 8/2017 Tofte ..... G06Q 40/08  
D797,756 S \* 9/2017 Meyer ..... D14/485  
D807,376 S \* 1/2018 Mizono ..... D14/485  
D807,377 S \* 1/2018 Bentley ..... D14/485  
D815,117 S \* 4/2018 Rapp ..... D14/485  
D823,866 S \* 7/2018 Laing ..... D14/485  
D824,935 S \* 8/2018 Boutoussov ..... D14/486  
D827,667 S \* 9/2018 Piroddi ..... D14/489  
D829,739 S \* 10/2018 Lavin, Jr. .... D14/486  
D829,744 S \* 10/2018 Agarwal ..... D14/486  
D834,592 S \* 11/2018 Lehmann ..... D14/485  
D835,154 S \* 12/2018 Hausman ..... D14/490  
2014/0266594 A1 \* 9/2014 Reiser ..... B60R 25/24  
340/5.72  
2014/0278572 A1 \* 9/2014 Mullen ..... G06Q 40/08  
705/4  
2015/0192423 A1 \* 7/2015 Van Wiemeersch ... G01C 21/36  
701/2  
2018/0182182 A1 \* 6/2018 Meyer ..... B60W 40/09

\* cited by examiner

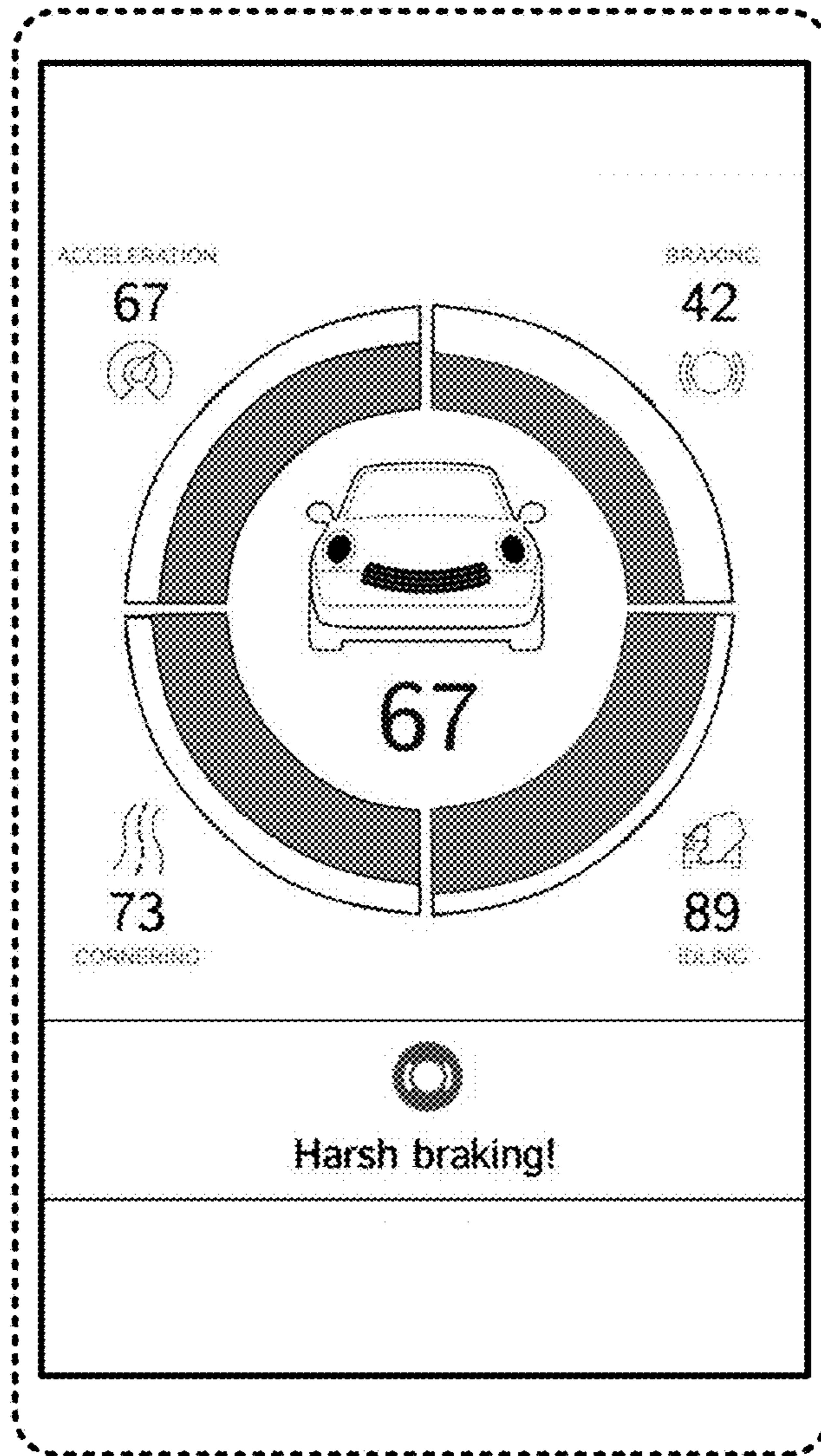


FIG. 1

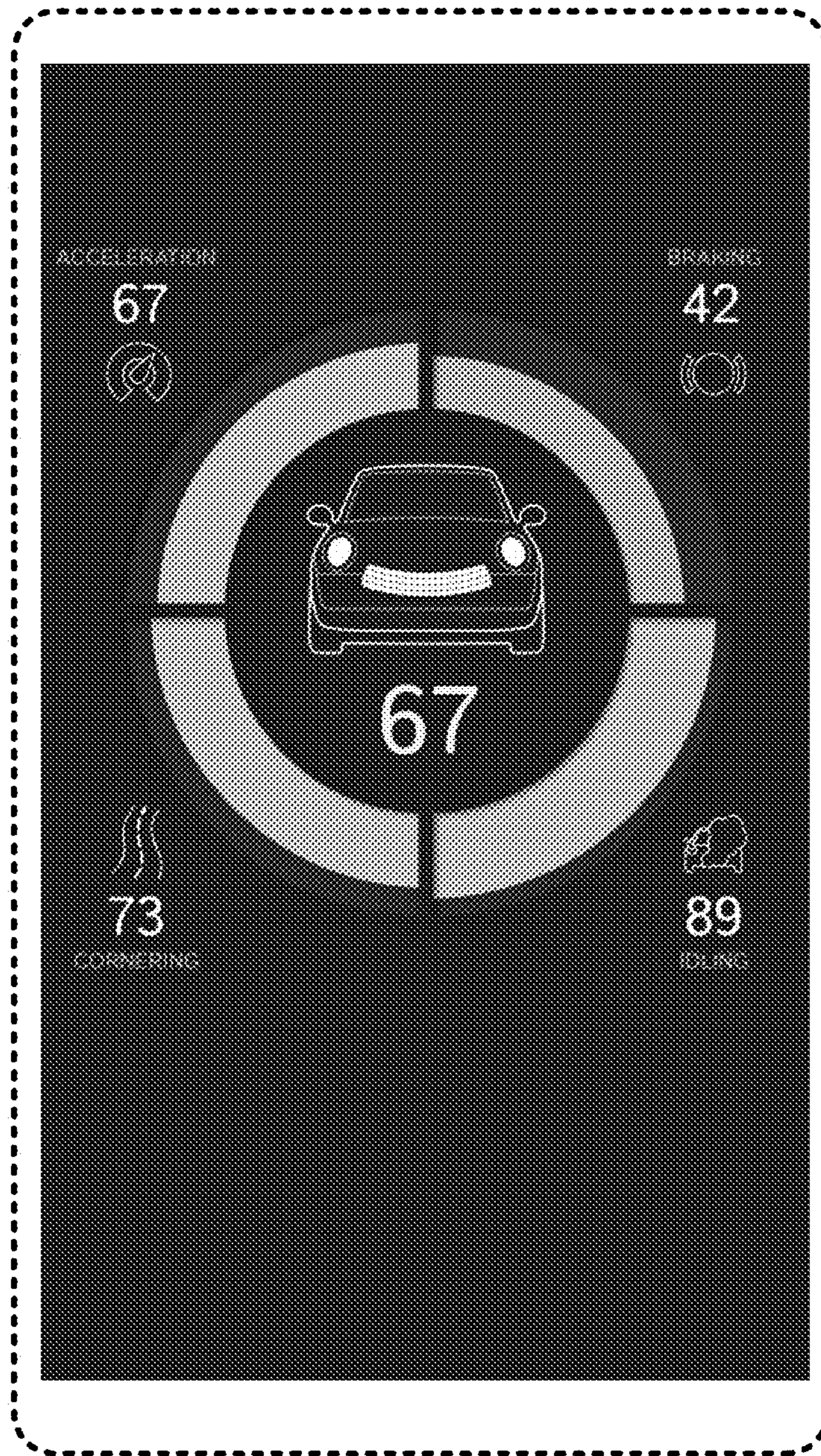


FIG. 2

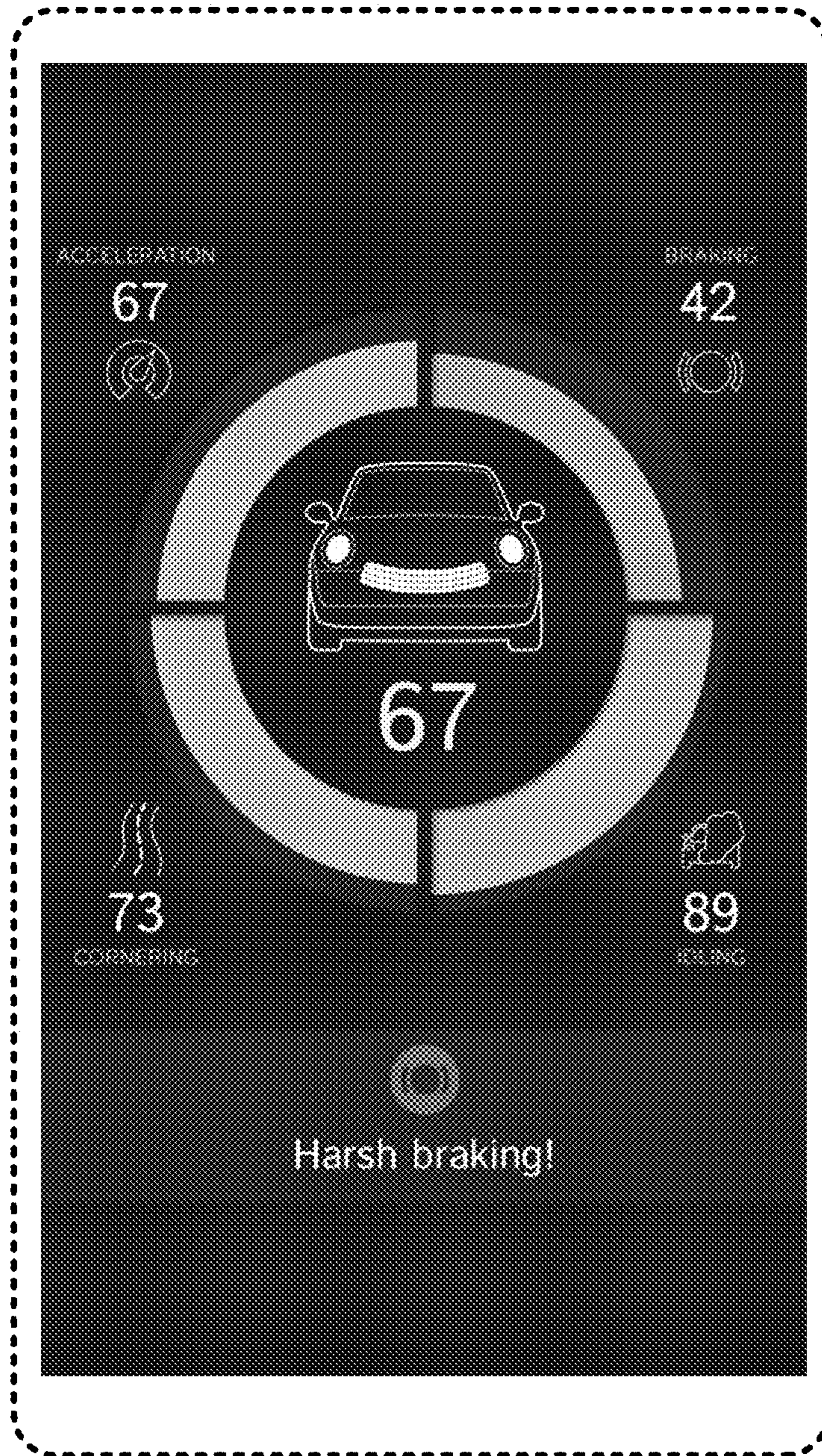


FIG. 3