



US00D866568S

(12) **United States Design Patent**  
**Park et al.**

(10) **Patent No.:** **US D866,568 S**

(45) **Date of Patent:** **\*\* Nov. 12, 2019**

(54) **DISPLAY SCREEN OR PORTION THEREOF WITH TRANSITIONAL GRAPHICAL USER INTERFACE**

(71) Applicant: **Samsung Electronics Co., Ltd.**,  
Suwon-si (KR)

(72) Inventors: **Hyewon Park**, Seongnam-si (KR);  
**Soojung Bae**, Seoul (KR); **Hyungdo Lee**, Seoul (KR)

(73) Assignee: **Samsung Electronics Co., Ltd.**,  
Suwon-si (KR)

(\*\*) Term: **15 Years**

(21) Appl. No.: **29/616,629**

(22) Filed: **Sep. 7, 2017**

(30) **Foreign Application Priority Data**

Mar. 27, 2017 (KR) ..... 30-2017-0013972

(51) **LOC (12) Cl.** ..... **14-04**

(52) **U.S. Cl.**  
USPC ..... **D14/485**

(58) **Field of Classification Search**  
USPC ..... D14/485-495  
CPC ..... G06F 3/0482; G06F 3/0481; G06F 3/048;  
G06F 3/04817; G06F 3/04842  
See application file for complete search history.

(56) **References Cited**

**U.S. PATENT DOCUMENTS**

D808,411 S \* 1/2018 Lowell ..... D14/486  
D810,771 S \* 2/2018 Gandhi ..... D14/486  
D815,127 S \* 4/2018 Phillips ..... D14/486  
D815,128 S \* 4/2018 Phillips ..... D14/486

D818,477 S \* 5/2018 Hoffman ..... D14/486  
D829,742 S \* 10/2018 Phillips ..... D14/486  
D829,750 S \* 10/2018 Phillips ..... D14/486  
D829,759 S \* 10/2018 Clapper ..... D14/486  
D831,685 S \* 10/2018 Peeten ..... D14/486  
D836,669 S \* 12/2018 Manickavasagam ..... D14/488  
D845,322 S \* 4/2019 Mancuso ..... D14/486  
D851,108 S \* 6/2019 Yuguchi ..... D14/486

\* cited by examiner

*Primary Examiner* — Sheryl Lane

*Assistant Examiner* — Nicole C Shiflet

(74) *Attorney, Agent, or Firm* — NSIP Law

(57) **CLAIM**

We claim the ornamental design for a display screen or portion thereof with transitional graphical user interface, as shown and described.

**DESCRIPTION**

FIG. 1 is a first image of a display screen or portion thereof with transitional graphical user interface showing our new design;

FIG. 2 is a second image thereof;

FIG. 3 is a third image thereof;

FIG. 4 is a fourth image thereof; and,

FIG. 5 is a fifth image thereof.

The outer broken lines in the figures depict a display screen or portion thereof and form no part of the claimed design. The remainder of the broken lines in the figures depict portions of the graphical user interface and form no part of the claimed design.

The appearance of the transitional user interface sequentially transitions between the images shown in FIGS. 1-5. The process or period in which one image transitions to another forms no part of the claimed design.

**1 Claim, 5 Drawing Sheets**

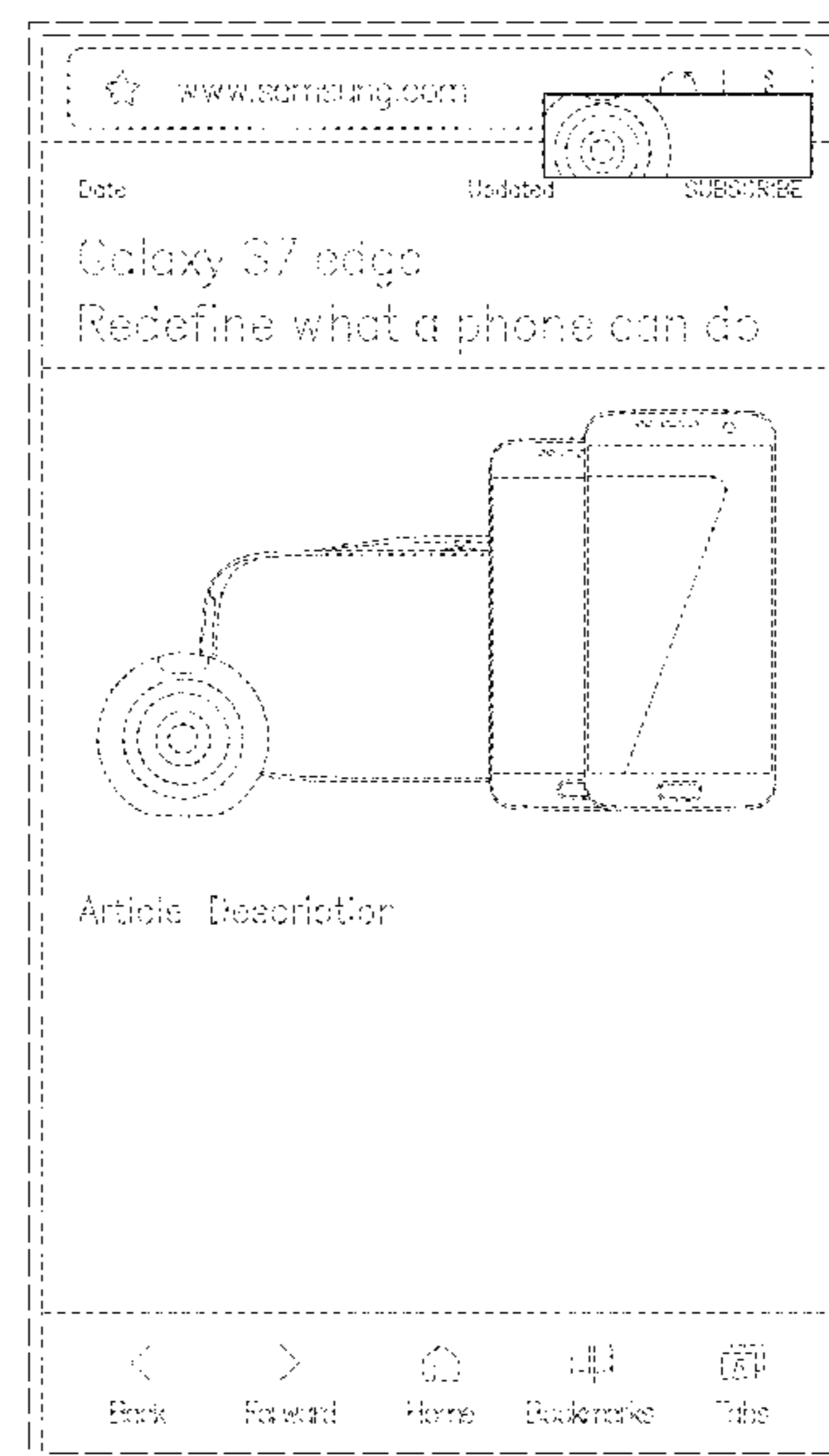
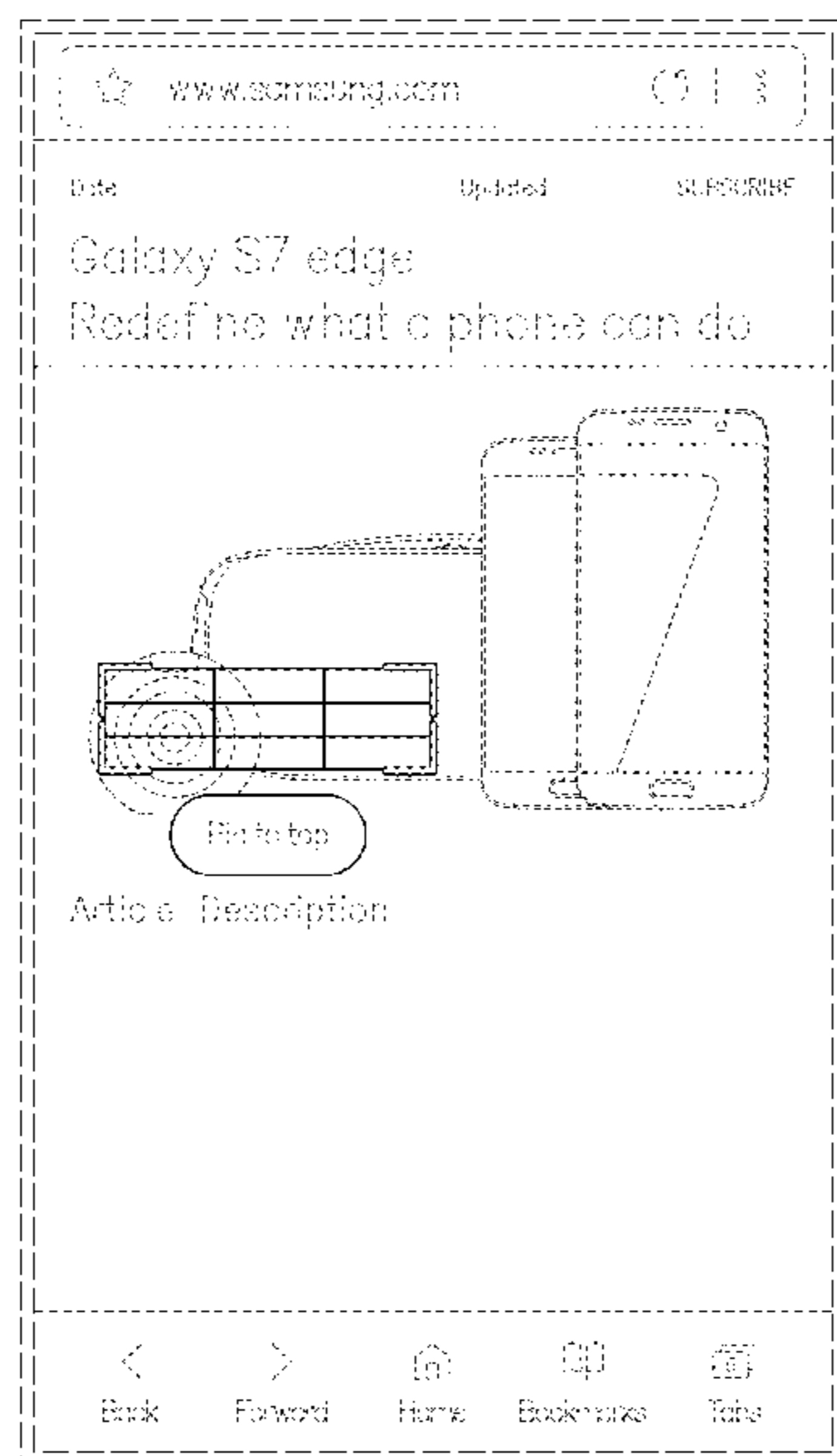


FIG. 1

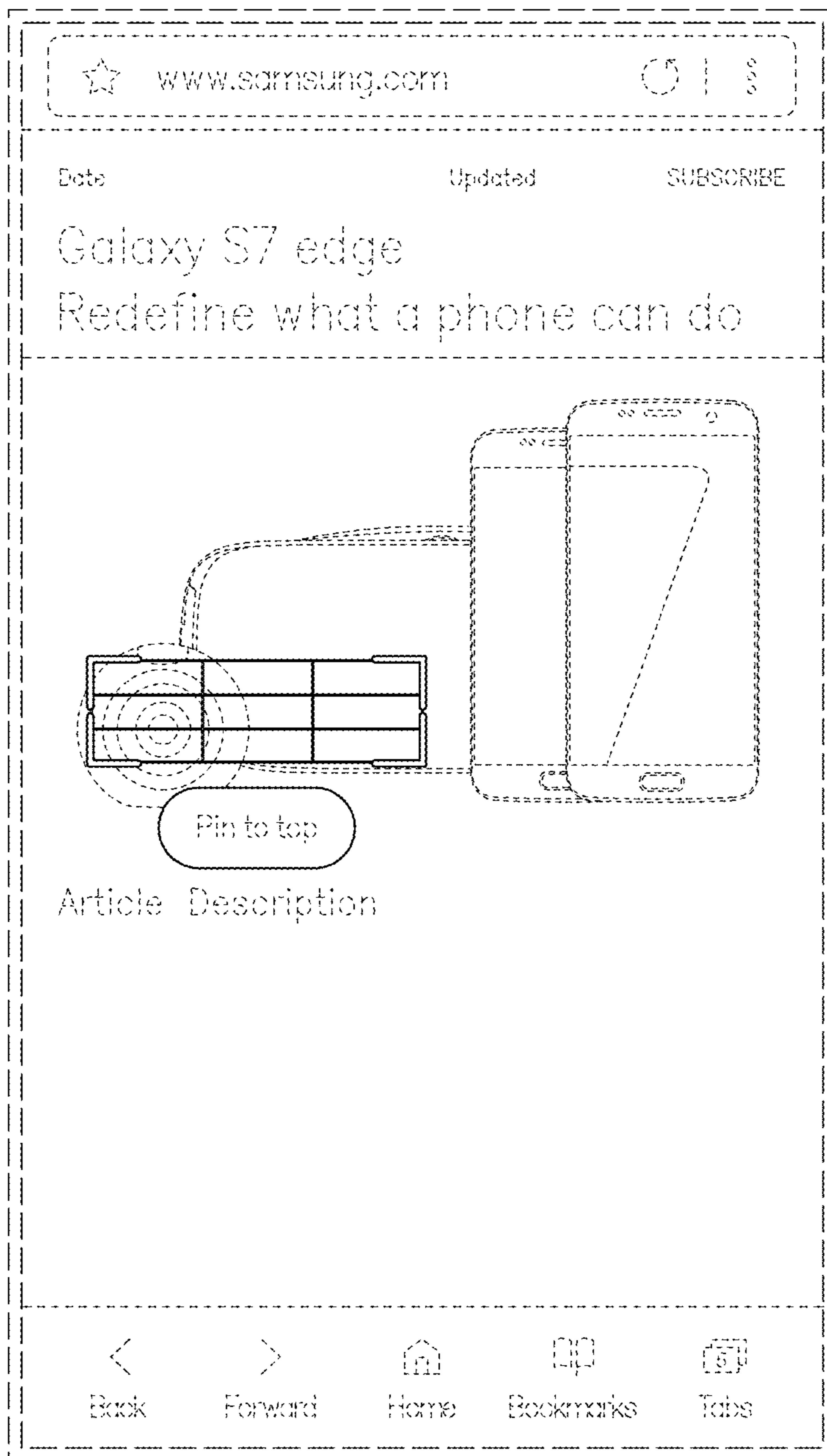


FIG. 2

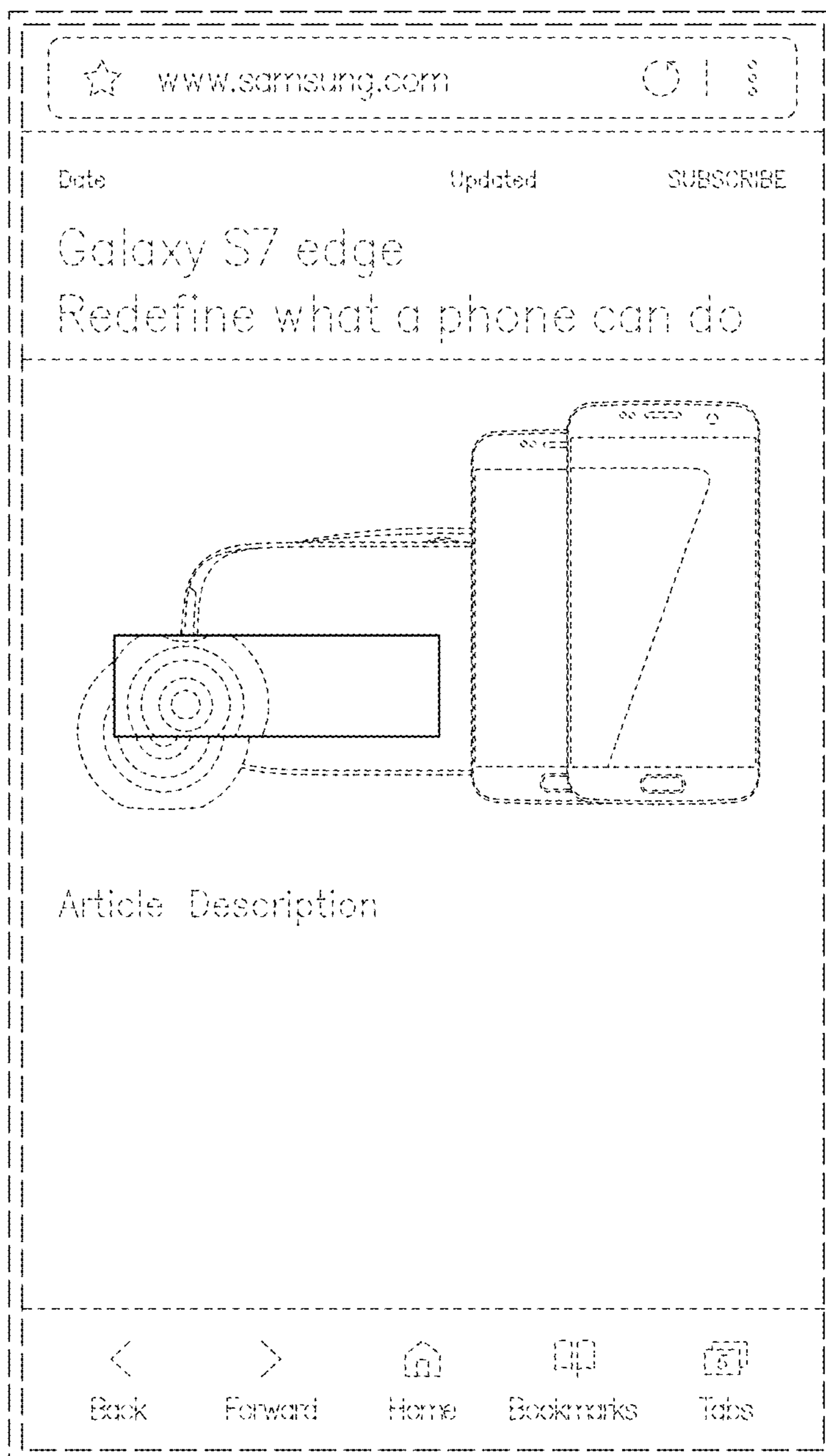


FIG. 3

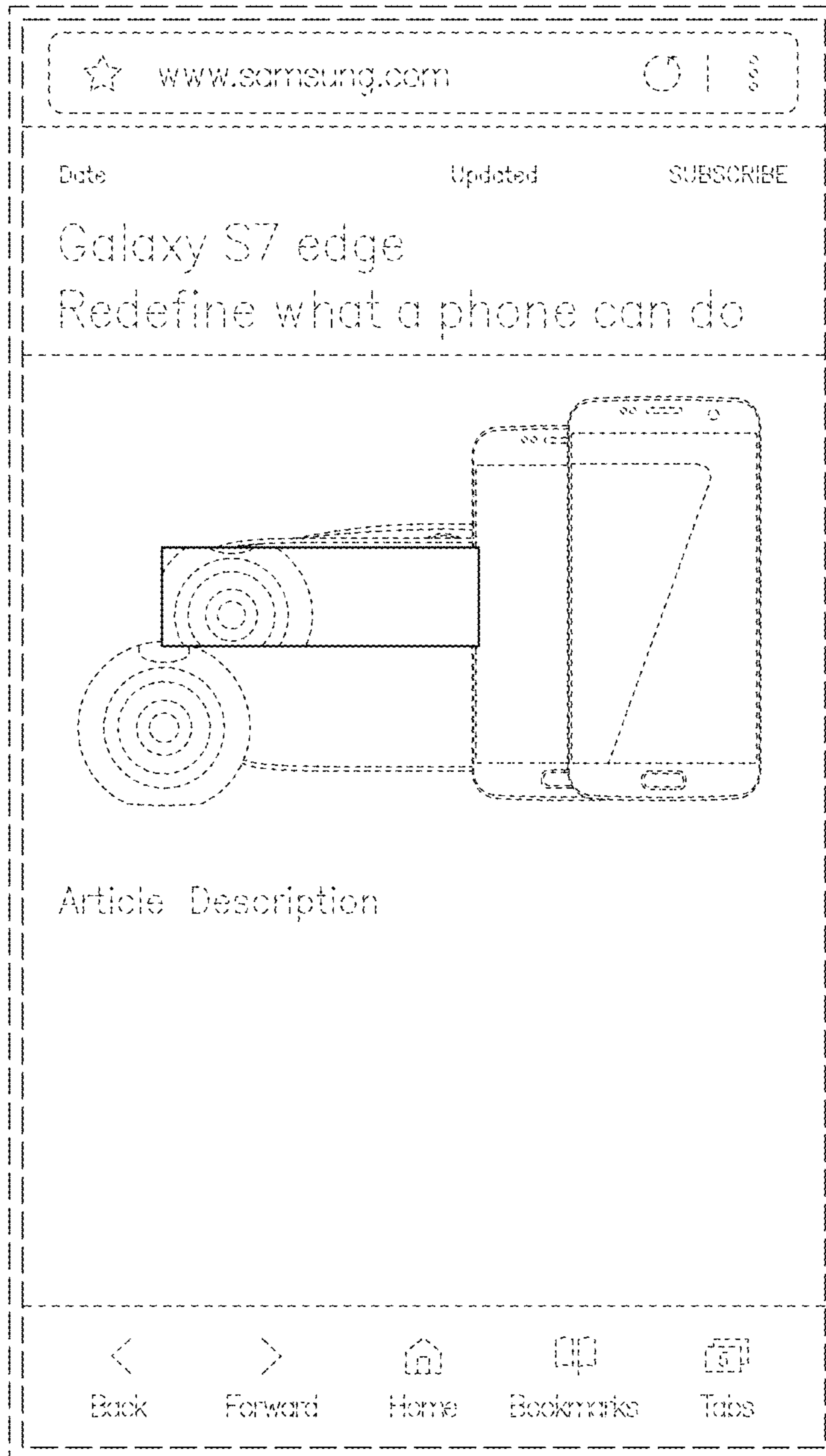


FIG. 4

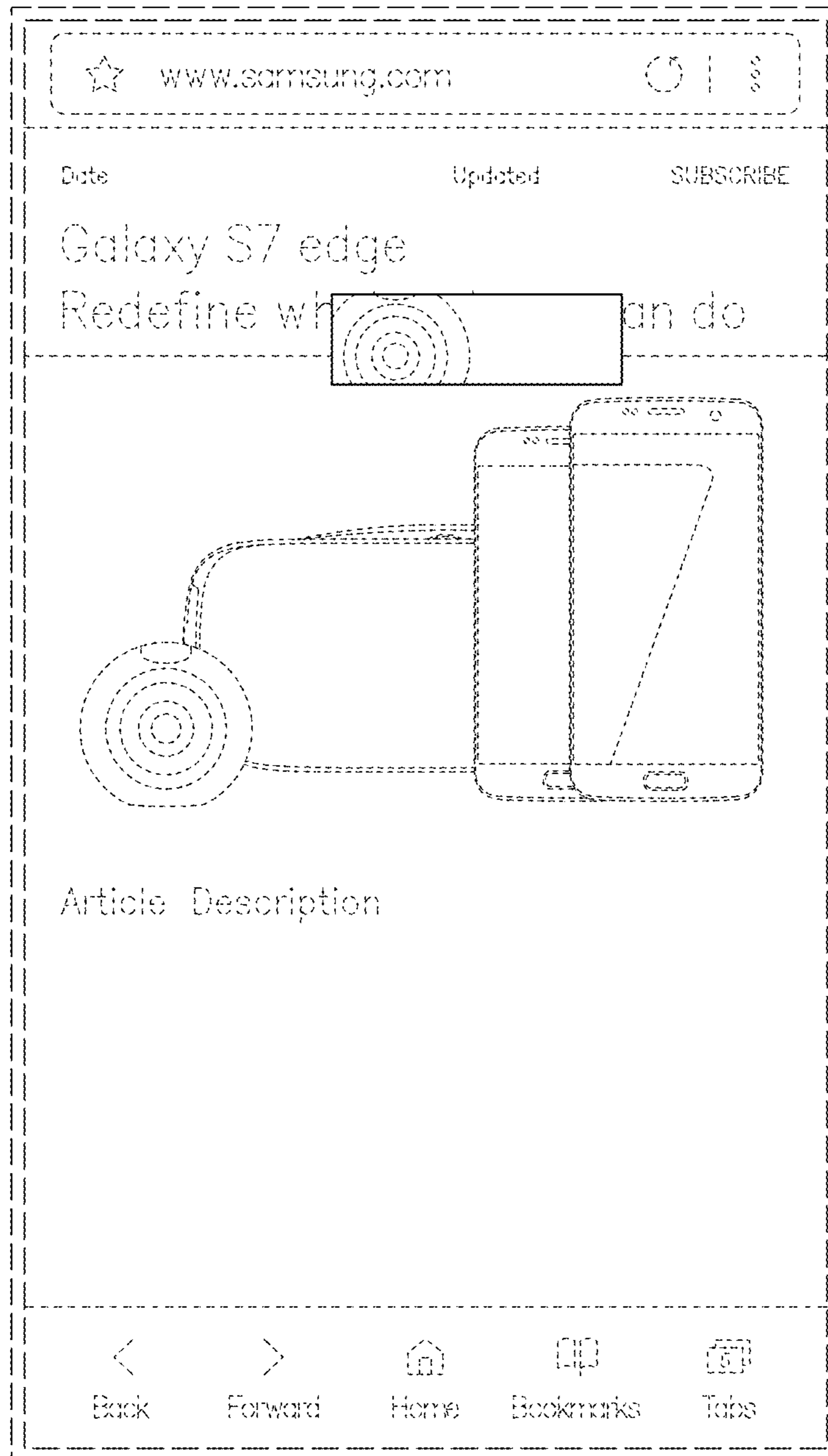




FIG. 5

