

US00D866567S

(12) **United States Design Patent**
Bae et al.

(10) **Patent No.:** **US D866,567 S**

(45) **Date of Patent:** **** Nov. 12, 2019**

(54) **DISPLAY SCREEN OR PORTION THEREOF WITH TRANSITIONAL GRAPHICAL USER INTERFACE**

(71) Applicant: **Samsung Electronics Co., Ltd.**,
Suwon-si (KR)

(72) Inventors: **Soojung Bae**, Yongin-si (KR); **Hyewon Park**, Seongnam-si (KR); **Heungkyo Seo**, Seoul (KR)

(73) Assignee: **Samsung Electronics Co., Ltd.**,
Suwon-si (KR)

(**) Term: **15 Years**

(21) Appl. No.: **29/615,544**

(22) Filed: **Aug. 30, 2017**

(30) **Foreign Application Priority Data**

Mar. 27, 2017 (KR) 30-2017-0013992

(51) **LOC (12) Cl.** **14-04**

(52) **U.S. Cl.**
USPC **D14/485**

(58) **Field of Classification Search**
USPC D14/485-495
CPC G06F 3/0482; G06F 3/0481; G06F 3/048;
G06F 3/04817; G06F 3/04842
See application file for complete search history.

(56) **References Cited**

U.S. PATENT DOCUMENTS

D751,090 S * 3/2016 Hu D14/485
D754,714 S * 4/2016 Zhang D14/487
D754,724 S * 4/2016 Xu D14/488

D761,303 S * 7/2016 Nelson D14/488
D779,516 S * 2/2017 Pierson D14/486
D782,521 S * 3/2017 Pilch D14/487
D792,444 S * 7/2017 Cho D14/488
D829,235 S * 9/2018 Gangcuango D14/486
D834,599 S * 11/2018 Hwang D14/486
D837,229 S * 1/2019 Hilhorst D14/485
D839,295 S * 1/2019 Liao D14/486
D841,657 S * 2/2019 Hilhorst D14/485
D850,484 S * 6/2019 Zhu D14/488

* cited by examiner

Primary Examiner — Sheryl Lane

Assistant Examiner — Nicole C Shiflet

(74) *Attorney, Agent, or Firm* — NSIP Law

(57) **CLAIM**

We claim the ornamental design for a display screen or portion thereof with transitional graphical user interface, as shown and described.

DESCRIPTION

FIG. 1 is a first image of a display screen or portion thereof with transitional graphical user interface showing our new design;

FIG. 2 is a second image thereof; and,

FIG. 3 is a third image thereof.

The outermost broken lines in the figures illustrate a display screen or portion thereof and form no part of the claimed design. The remaining broken lines in the figures illustrate portions of the graphical user interface that form no part of the claimed design.

The appearance of the transitional image sequentially transitions between the images shown in FIGS. 1-3. The process or period in which one image transitions to another image forms no part of the claimed design.

1 Claim, 3 Drawing Sheets

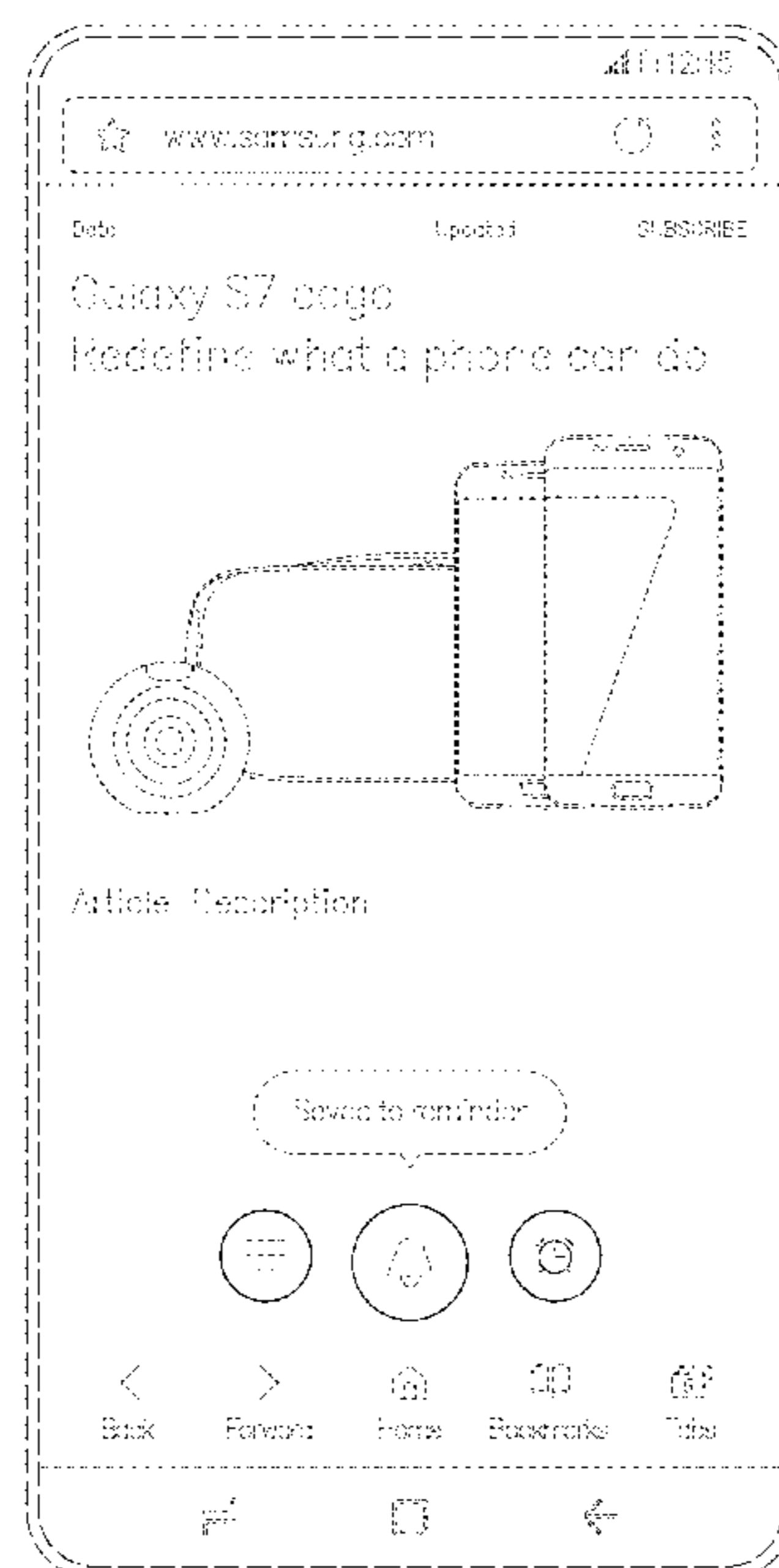
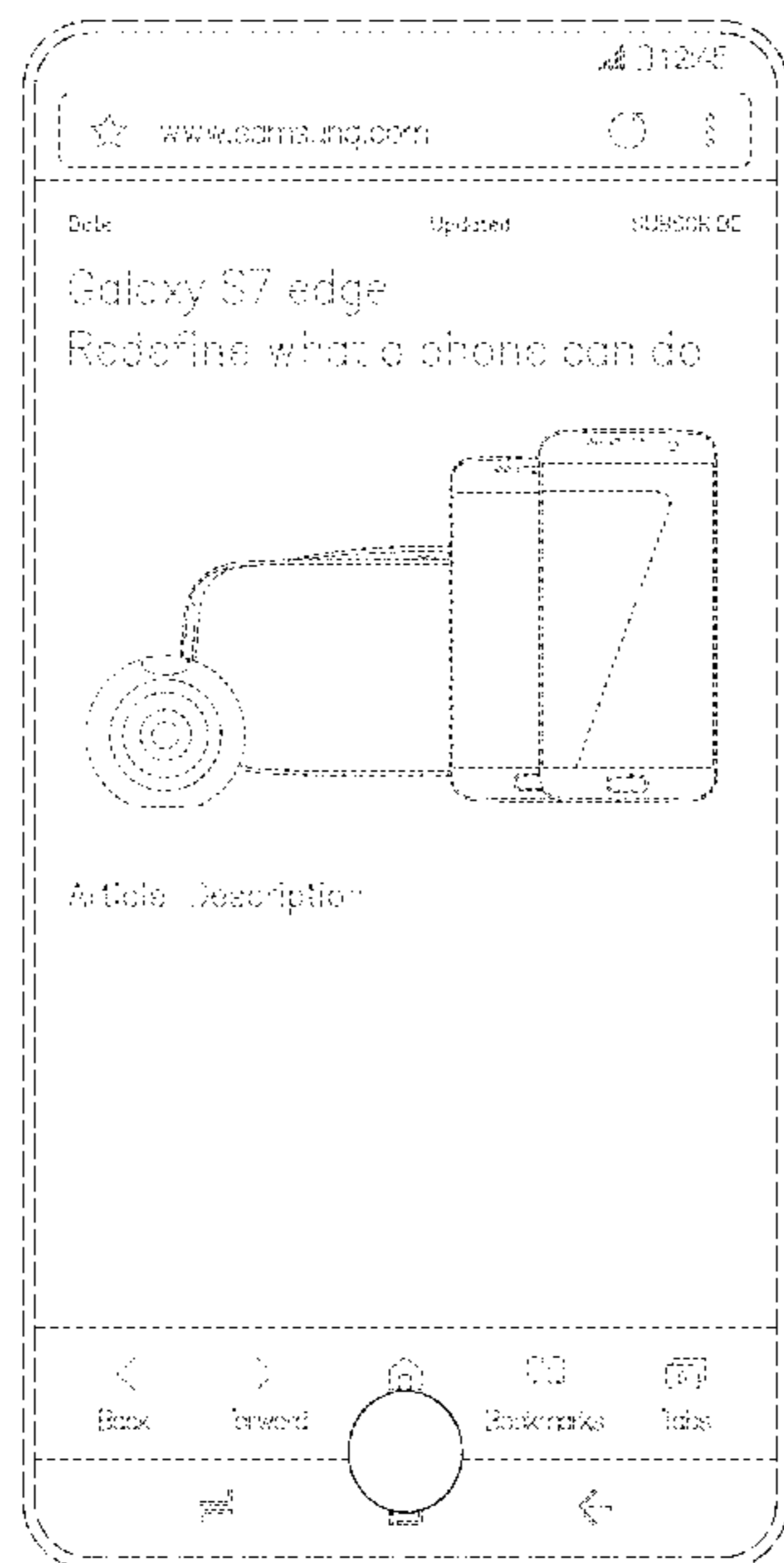


FIG. 1

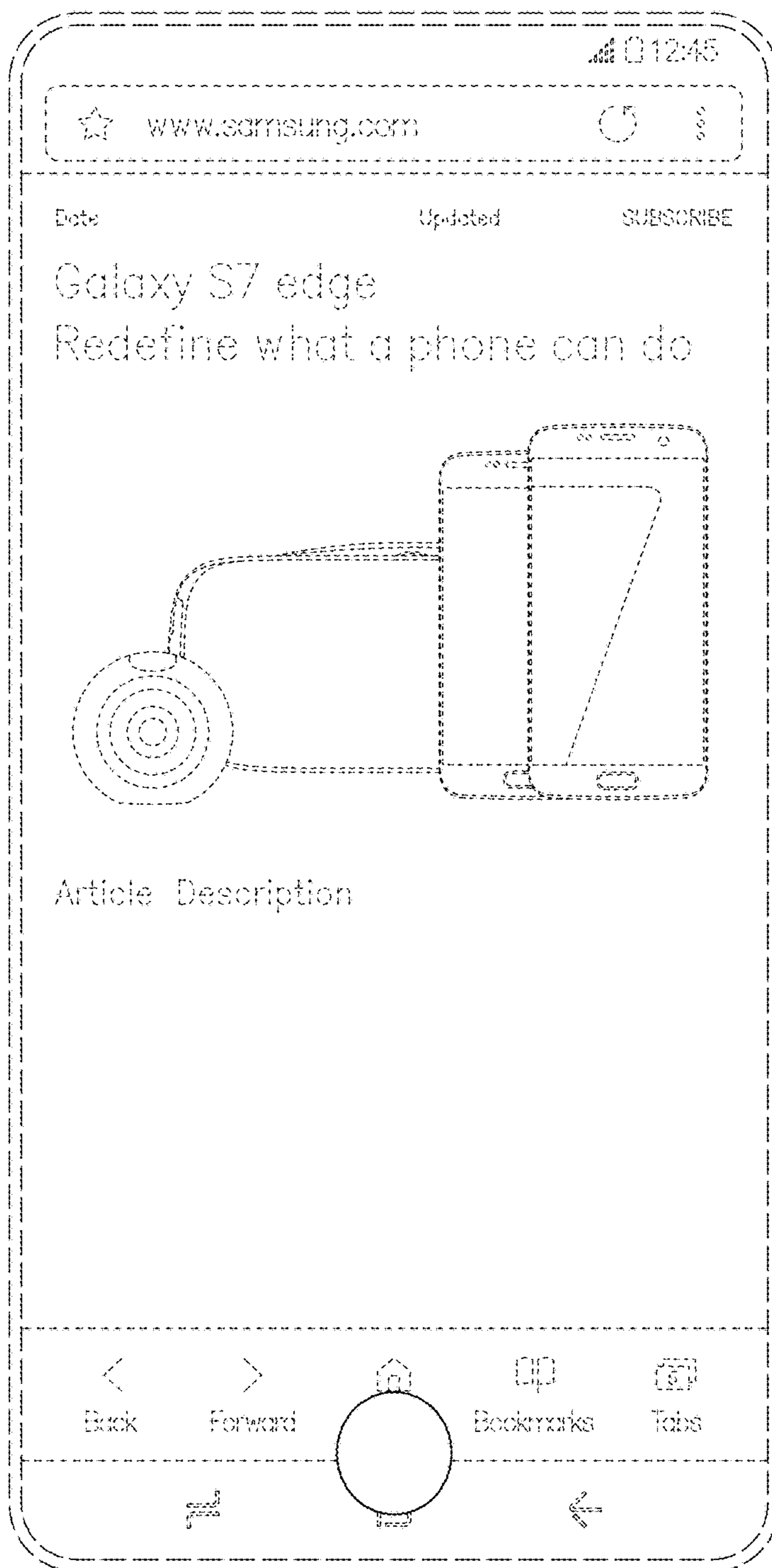


FIG. 2

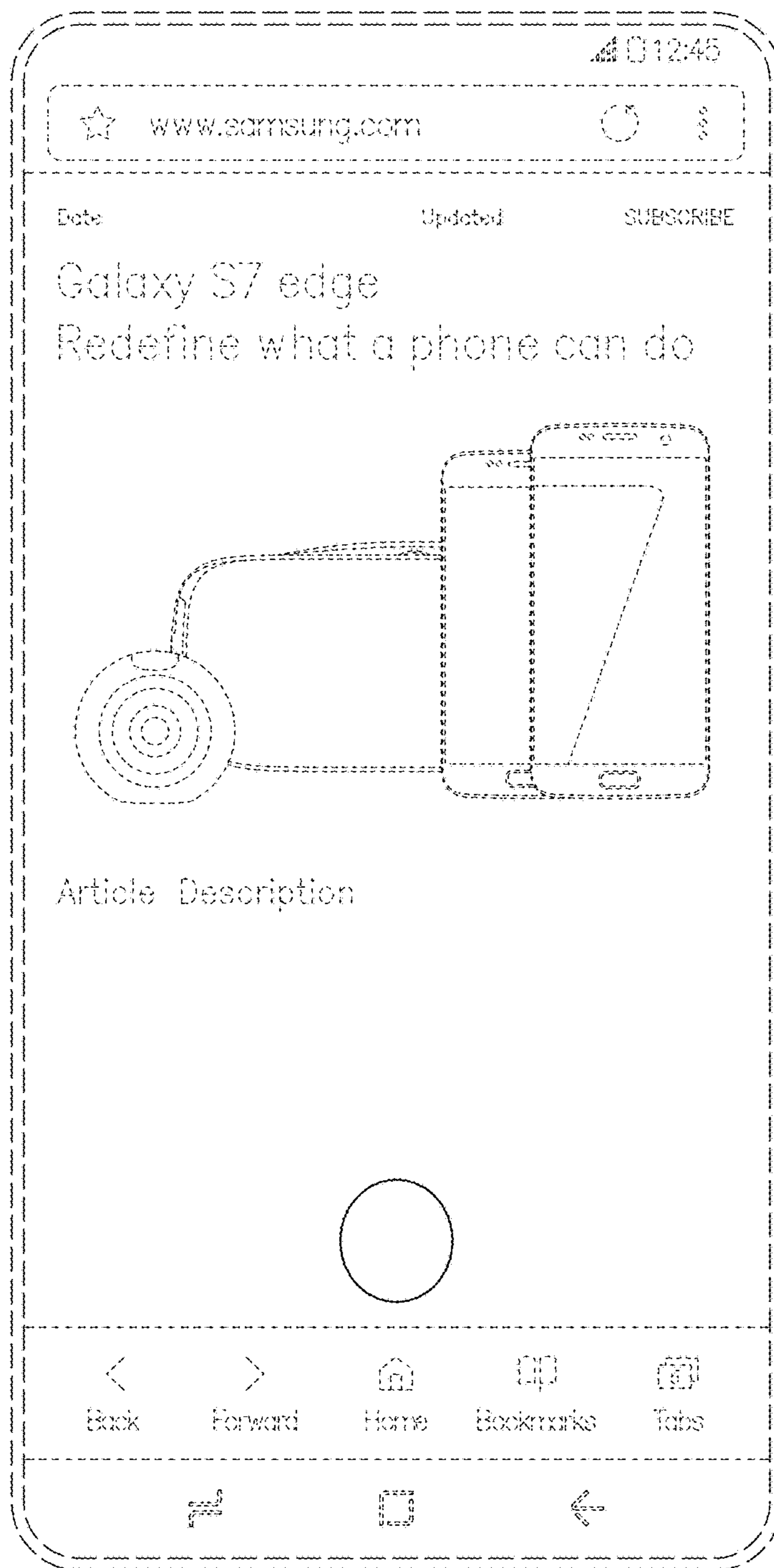


FIG. 3

