



US00D866564S

(12) **United States Design Patent** (10) **Patent No.:** **US D866,564 S**  
**Lee et al.** (45) **Date of Patent:** **\*\* Nov. 12, 2019**

(54) **STAND FOR ELECTRONIC DEVICE**

(71) Applicant: **elago CO. LTD**, Goyang-si,  
Gyeonggi-do (KR)

(72) Inventors: **Chan Woo Lee**, Goyang-si (KR);  
**Chong Min Kim**, Seoul (KR)

(73) Assignee: **elago CO. LTD**, Goyang-si,  
Gyeonggi-Do (KR)

(\*\*) Term: **15 Years**

(21) Appl. No.: **29/679,215**

(22) Filed: **Feb. 4, 2019**

(51) **LOC (12) Cl.** ..... **08-07**

(52) **U.S. Cl.**  
USPC ..... **D14/447**

(58) **Field of Classification Search**  
USPC ..... D14/447, 432, 434, 439, 440, 451, 452,  
D14/457, 239, 250, 253, 203.7; D8/363,  
D8/373, 380; D6/406.3, 406.4, 406.5,  
D6/406.6; D12/415; D21/330, 331;  
D3/218

CPC ..... A47B 21/04; A47B 2097/006; A47B  
2097/005; A47B 2023/049; A45C  
2011/002; A45C 2011/003; F16M  
2200/00; F16M 13/00

See application file for complete search history.

(56) **References Cited**

**U.S. PATENT DOCUMENTS**

D516,576 S \* 3/2006 Ive ..... D14/203.7  
D519,275 S 4/2006 Shertzer  
D530,079 S 10/2006 Thomas et al.  
D538,822 S \* 3/2007 Andre ..... D14/203.7  
D539,530 S \* 4/2007 Sanderson ..... D3/218  
D542,524 S \* 5/2007 Richardson ..... D3/218  
D551,252 S 9/2007 Andre et al.  
D553,852 S 10/2007 Brandenburg

D566,383 S \* 4/2008 Harris ..... D3/218  
D566,962 S \* 4/2008 Griffin ..... D3/218  
D570,101 S \* 6/2008 Harris ..... D3/218  
D570,102 S \* 6/2008 Harris ..... D3/218  
D570,103 S \* 6/2008 Harris ..... D3/218  
D581,155 S 11/2008 Richardson et al.  
D587,008 S \* 2/2009 Richardson ..... D3/218

(Continued)

**FOREIGN PATENT DOCUMENTS**

CN 303749451 7/2016  
CN 304853026 10/2018

(Continued)

*Primary Examiner* — Angela J Lee

(74) *Attorney, Agent, or Firm* — Paratus Law Group,  
PLLC

(57) **CLAIM**

The ornamental design for a stand for electronic device, as  
shown and described.

**DESCRIPTION**

FIG. 1 is a front, top and right perspective view of stand for  
electronic device showing claimed design;

FIG. 2 is a front view thereof;

FIG. 3 is a back view thereof;

FIG. 4 is a left side view thereof;

FIG. 5 is a right side view thereof;

FIG. 6 is a top view thereof;

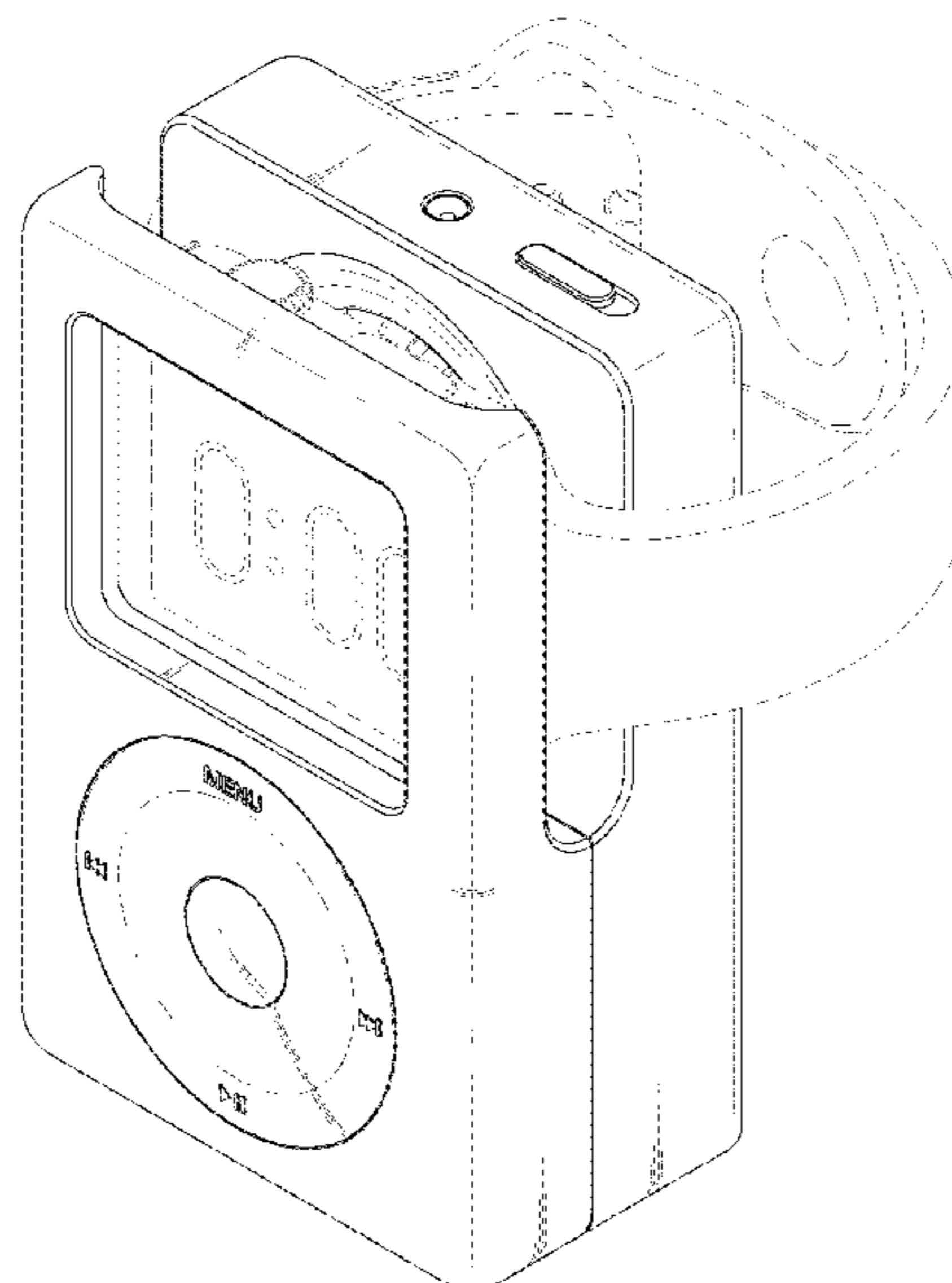
FIG. 7 is a bottom view thereof;

FIG. 8 is a back, bottom and right perspective view thereof;  
and,

FIG. 9 is a front, top and right perspective view thereof in  
use.

The broken lines shown in FIGS. 1, 2, 6, and 7 depict parts  
of the stand for electric device and form no part of the  
claimed design. The broken lines shown in FIG. 9 depict  
environment and form no part of the claimed design.

**1 Claim, 8 Drawing Sheets**



(56)

**References Cited**

U.S. PATENT DOCUMENTS

D593,536 S 6/2009 Andre et al.  
D597,521 S \* 8/2009 Andre ..... D14/203.3  
D628,799 S 12/2010 Andre et al.  
D639,301 S \* 6/2011 Anderson ..... D13/107  
D648,718 S 11/2011 Andre et al.  
D693,815 S 11/2013 Son  
D762,650 S 8/2016 Dang et al.  
9,793,745 B2 10/2017 Barnard  
10,178,923 B2 1/2019 Rosenblum et al.  
2007/0184781 A1 8/2007 Huskinson  
2017/0093200 A1 3/2017 Green  
2019/0027949 A1 1/2019 Critelli

FOREIGN PATENT DOCUMENTS

CN 304864642 10/2018  
CN 304919103 11/2018

\* cited by examiner

FIG. 1

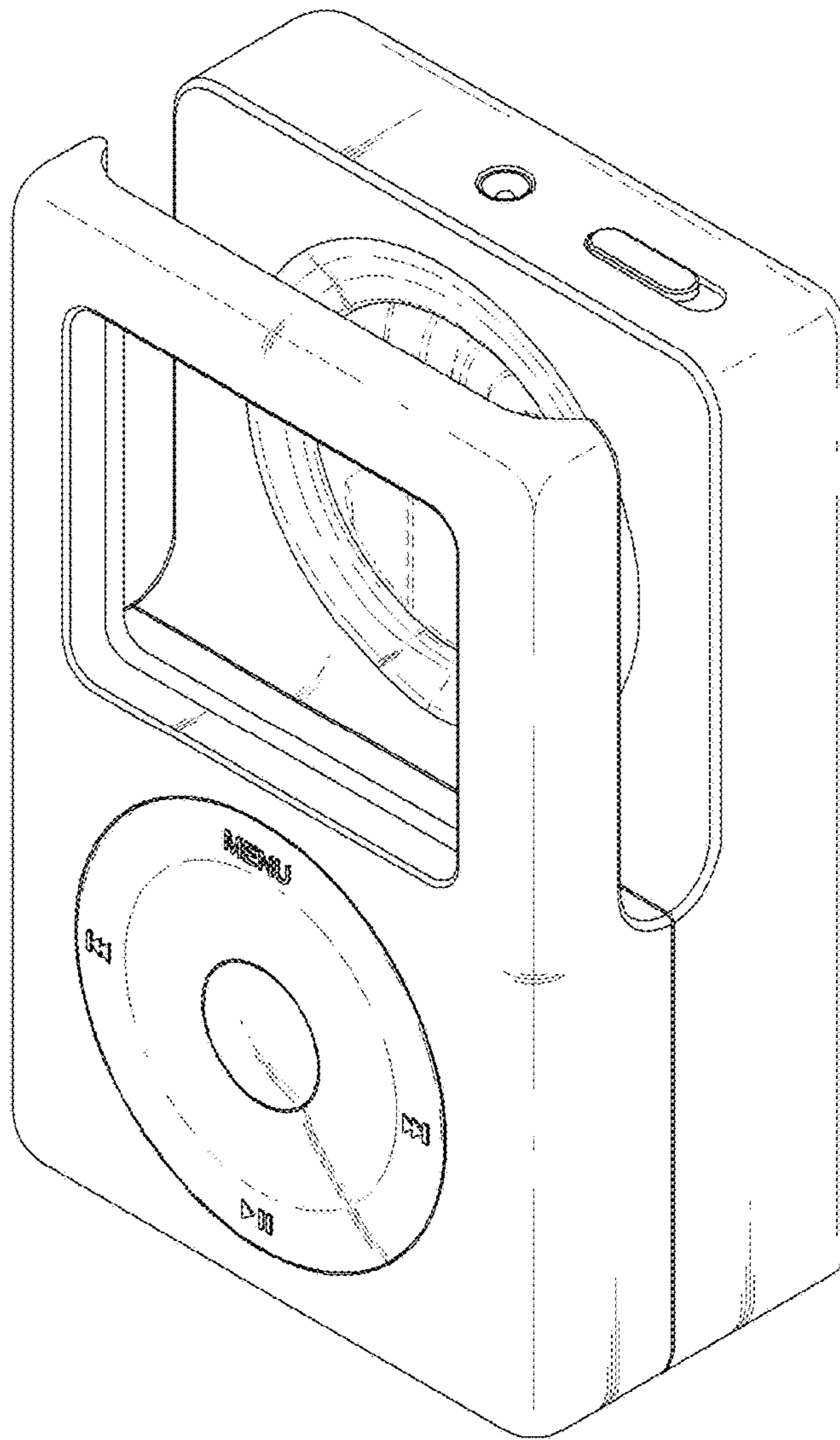


FIG. 2

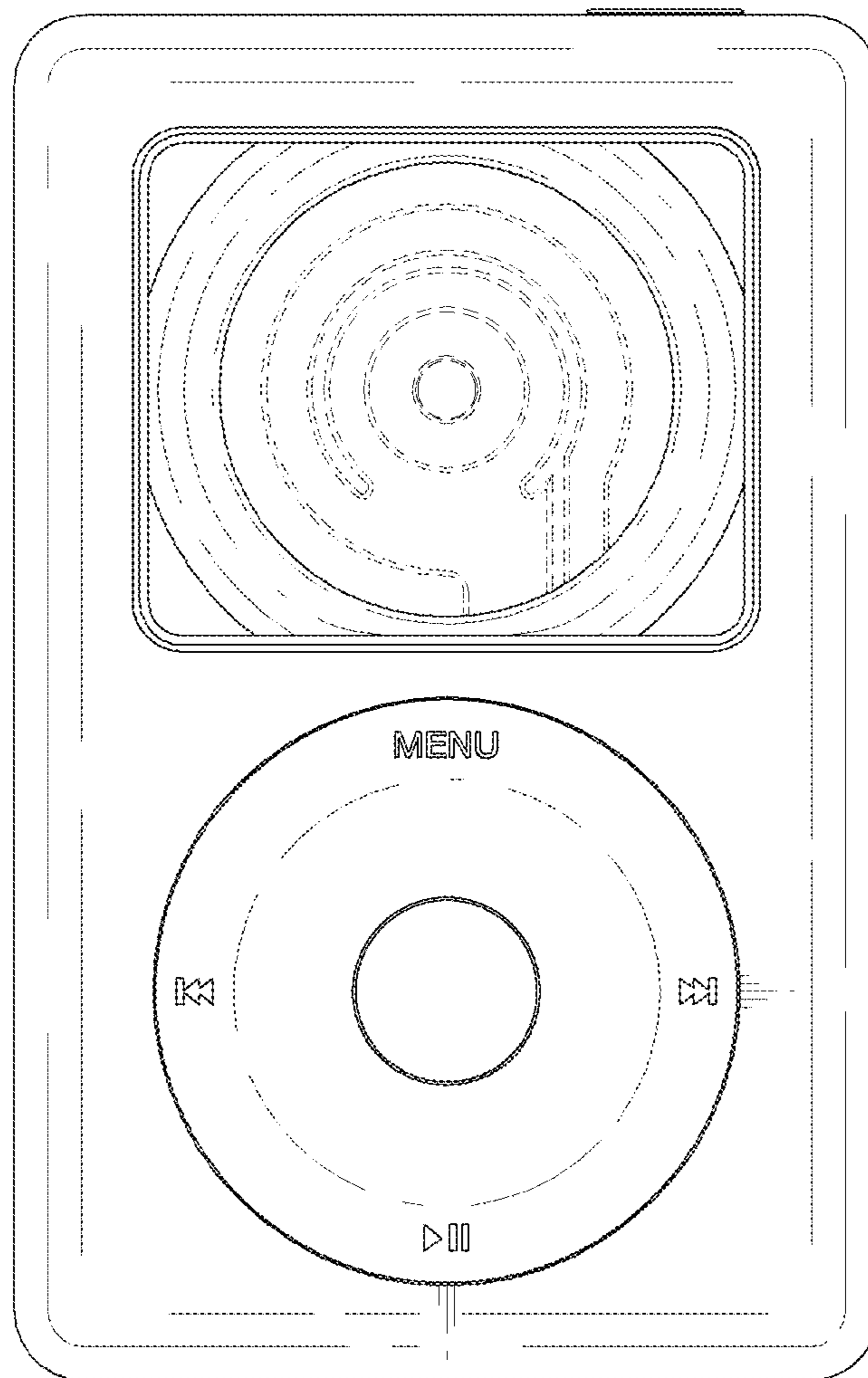


FIG. 3

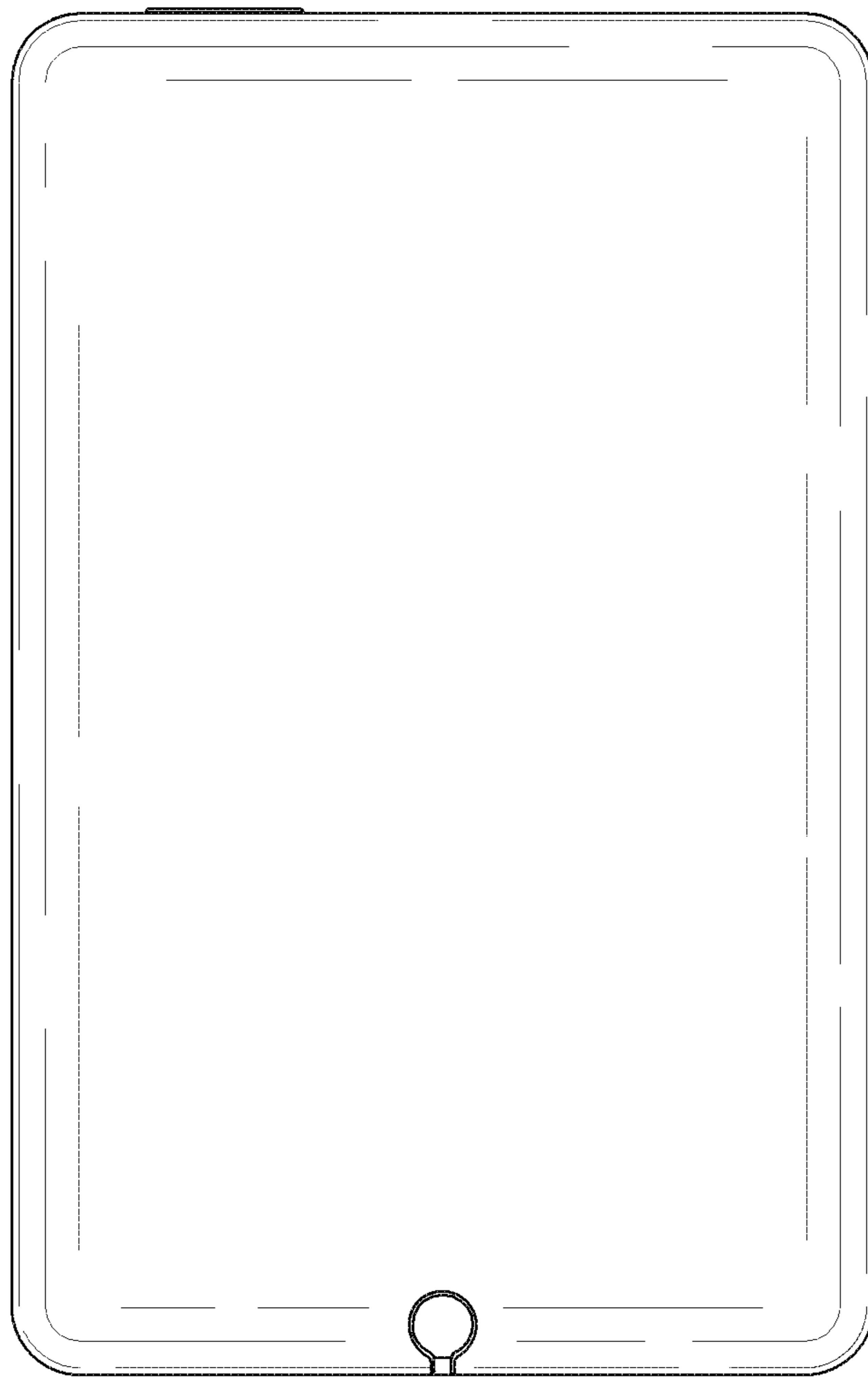


FIG. 4

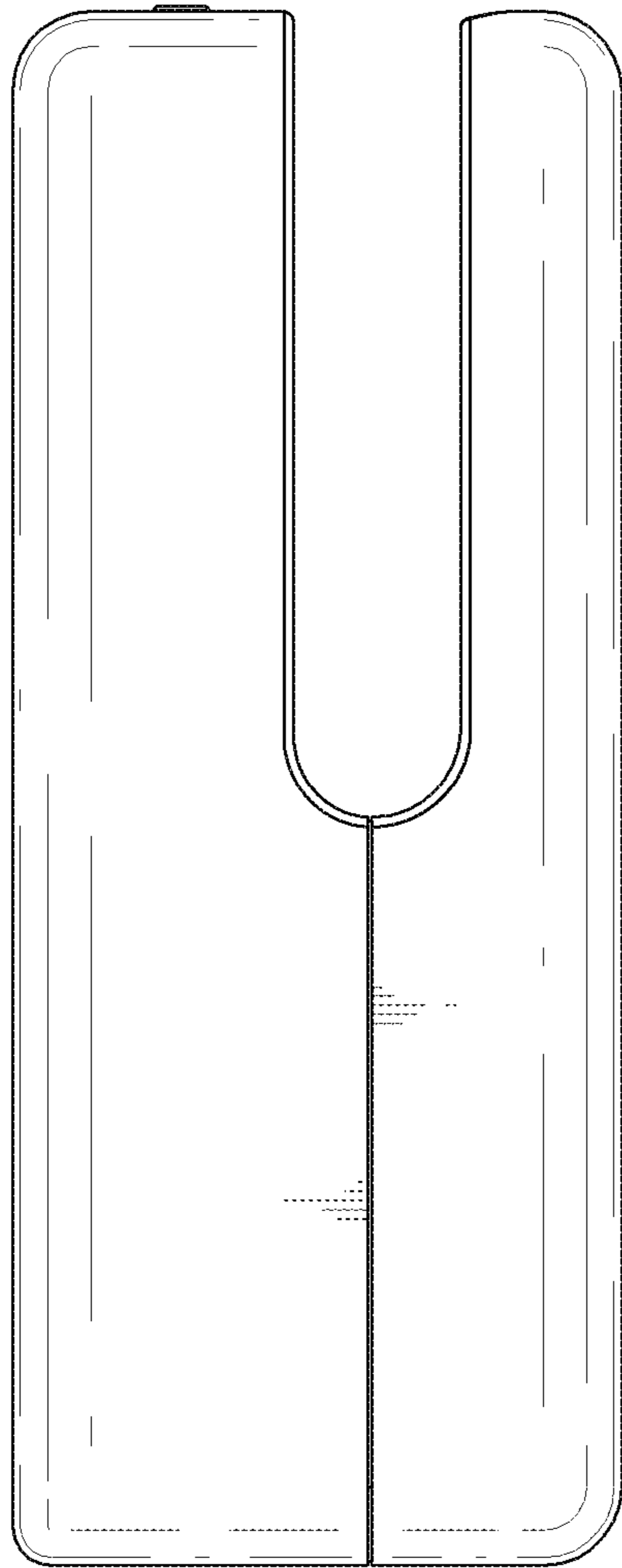


FIG. 5

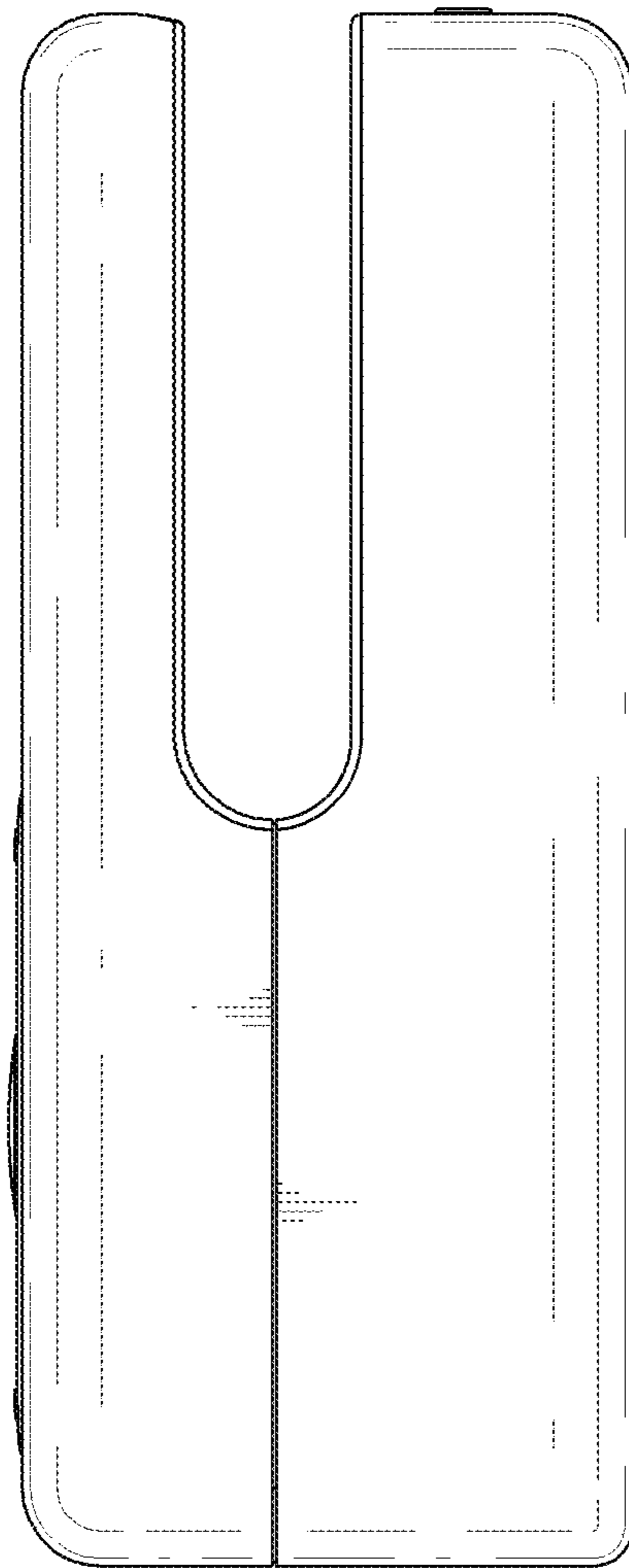


FIG. 6

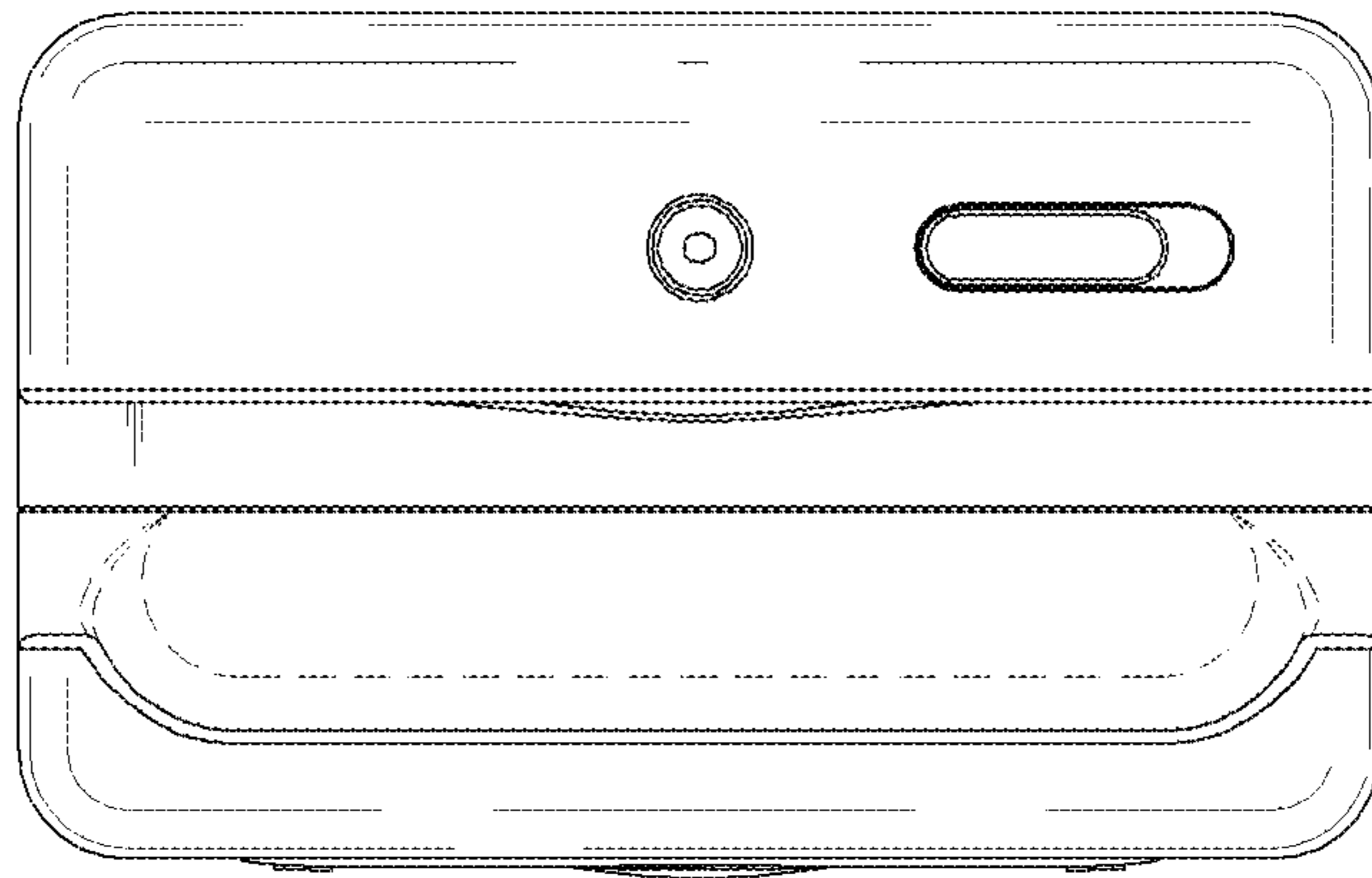


FIG. 7

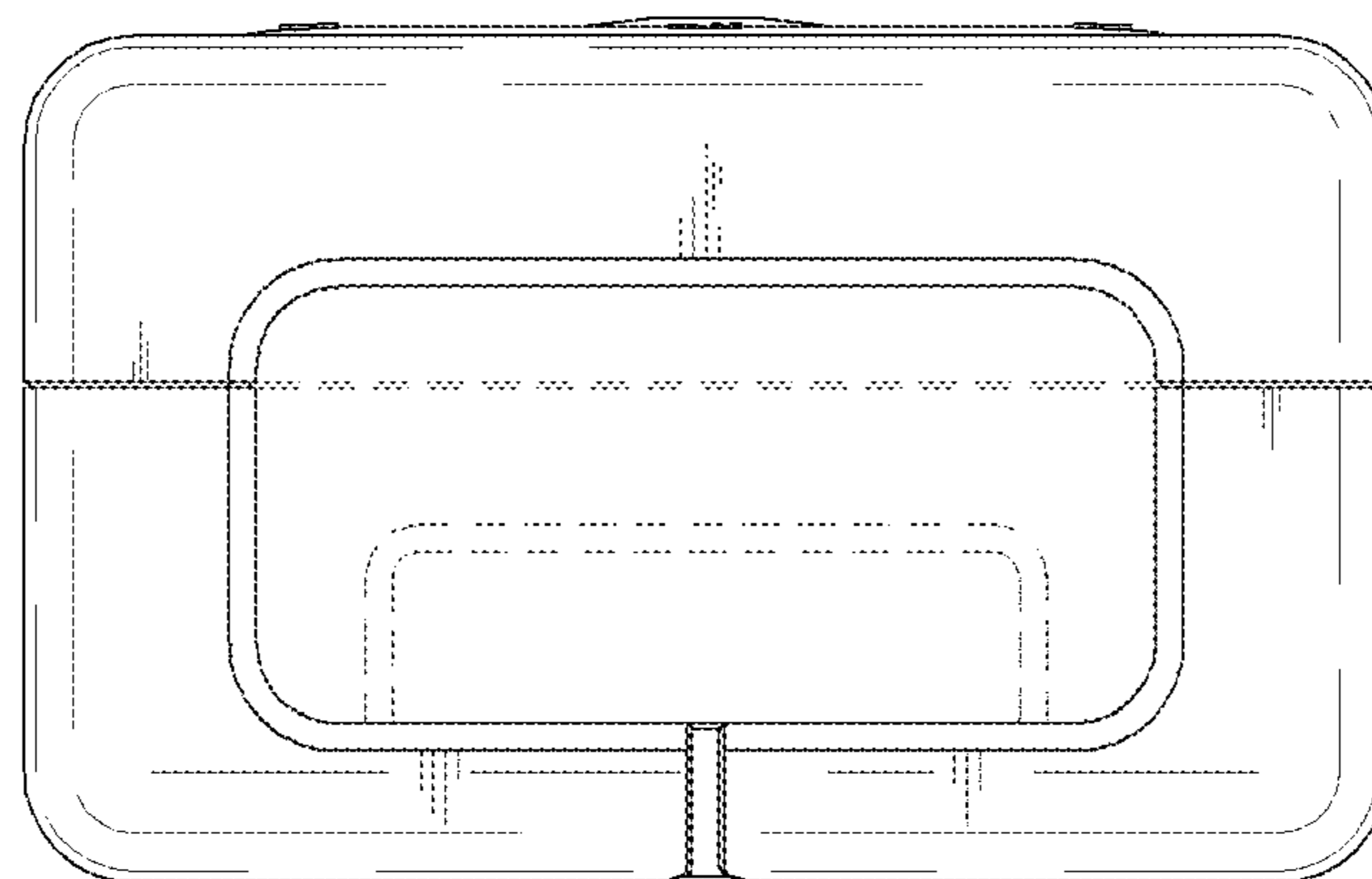




FIG. 8

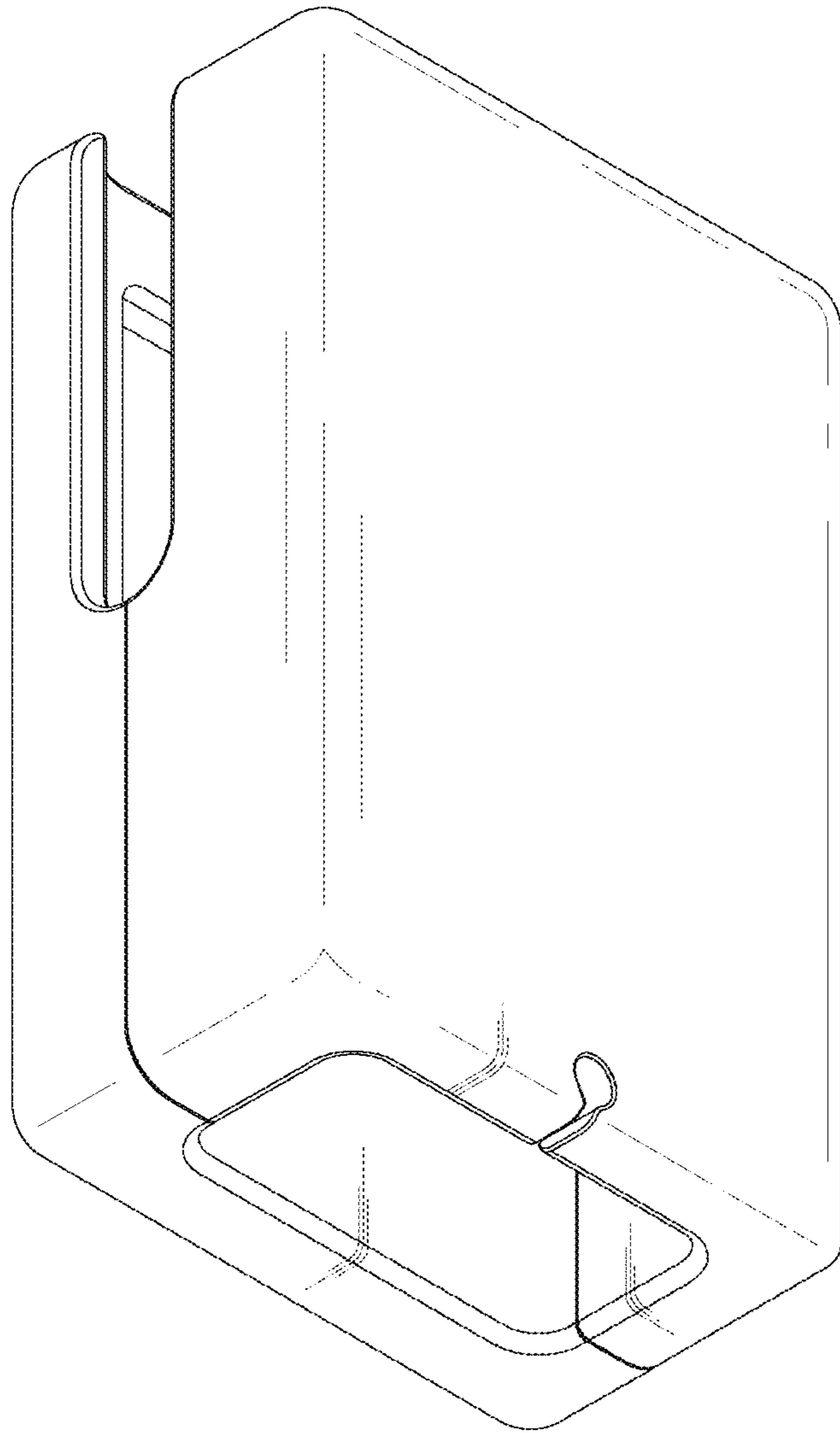


FIG. 9

