

US00D866561S

(12) **United States Design Patent** (10) **Patent No.:** **US D866,561 S**
Zenri et al. (45) **Date of Patent:** **** Nov. 12, 2019**

(54) **MEMORY CARD**

19/07722; G06K 19/07724; G06K
19/07726; G06K 19/07728; G06K
19/0773; G06K 19/07735; G06K
19/07737; G06K 19/07739; G06K
(Continued)

(71) Applicant: **NINTENDO CO., LTD.**, Kyoto (JP)

(72) Inventors: **Yuko Zenri**, Kyoto (JP); **Hitoshi Tsuchiya**, Kyoto (JP)

(73) Assignee: **Nintendo Co., Ltd.**, Kyoto (JP)

(56) **References Cited**

U.S. PATENT DOCUMENTS

D286,053 S 10/1986 McDaniel
D421,597 S * 3/2000 Oba D13/182
(Continued)

(**) Term: **15 Years**

(21) Appl. No.: **29/664,956**

(22) Filed: **Sep. 28, 2018**

OTHER PUBLICATIONS

Design U.S. Appl. No. 29/600,563, filed Apr. 13, 2017, Zenri et al.

Primary Examiner — Susan Moon Lee

(74) *Attorney, Agent, or Firm* — Nixon & Vanderhye PC

Related U.S. Application Data

(62) Division of application No. 29/600,563, filed on Apr. 13, 2017, now Pat. No. Des. 836,641.

Foreign Application Priority Data

Oct. 19, 2016 (JP) 2016-022755
Oct. 19, 2016 (JP) 2016-022756

(57) **CLAIM**

The ornamental design for a memory card, as shown and described.

(51) **LOC (12) Cl.** **14-02**

(52) **U.S. Cl.**
USPC **D14/436**

DESCRIPTION

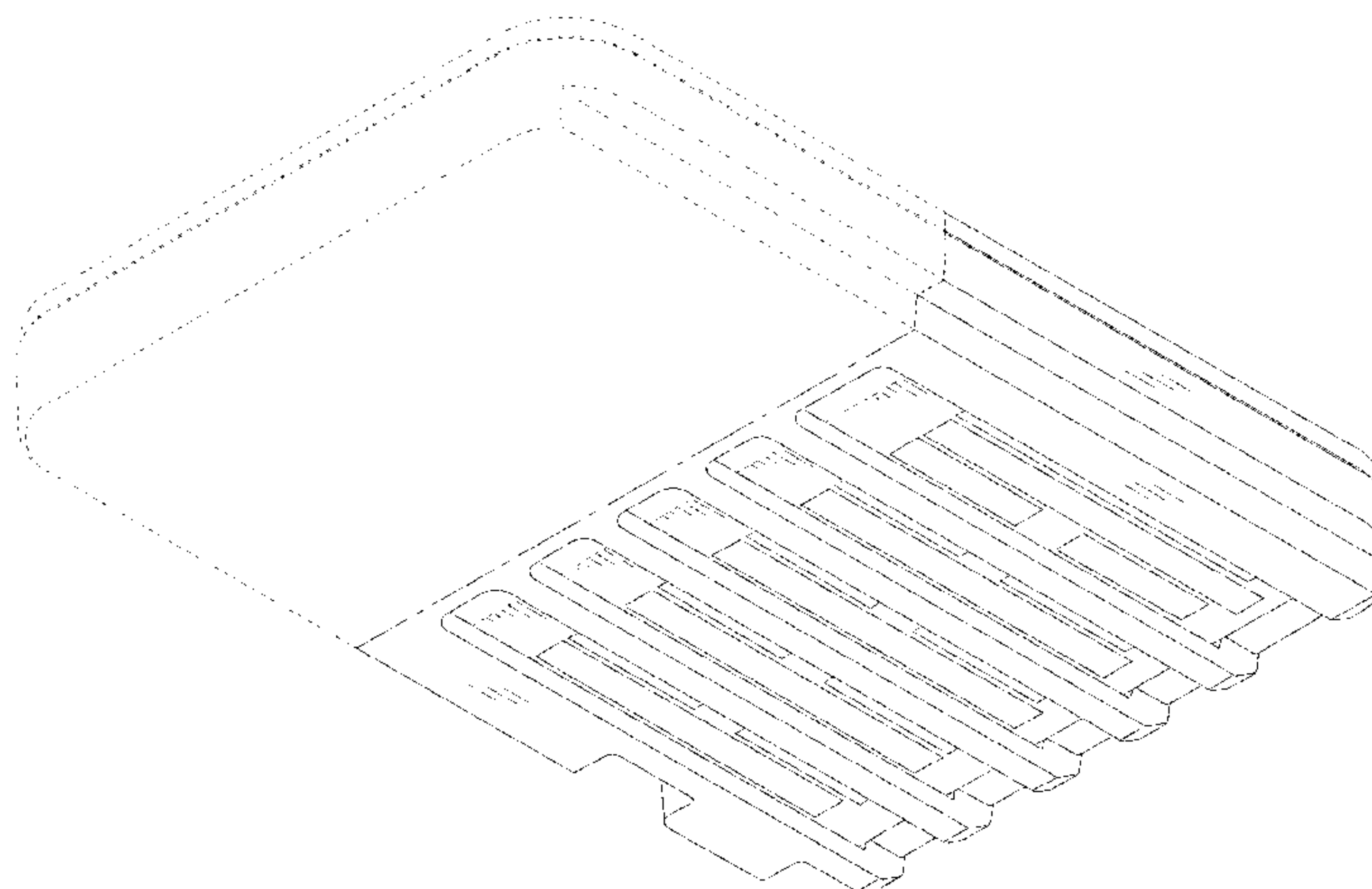
(58) **Field of Classification Search**

USPC D14/435-438, 478-480, 400, 356;
235/441, 443, 487, 492, 493, 495;
361/737, 679, 752, 736, 796, 797, 729,
361/730, 725-728, 753, 799-802, 807,
361/816, 818, 829; 257/678, 679, 693,
257/E23.064; 439/946, 948, 159, 945,
439/136-140, 181, 55, 60, 630, 680, 951;
174/250, 260, 52.1, 52.2; 710/300-303;
438/121; D21/333, 332; D13/182
CPC G06K 19/06196; G06K 19/072; G06K
19/0721; G06K 19/0722; G06K 19/0723;
G06K 19/0724; G06K 19/0725; G06K
19/0726; G06K 19/0727; G06K 19/0728;
G06K 19/073; G06K 19/07309; G06K
19/077; G06K 19/07701; G06K
19/07715; G06K 19/0772; G06K

FIG. 1 is a front side perspective view of a memory card showing our new design;
FIG. 2 is a back side perspective view thereof;
FIG. 3 is a front view thereof;
FIG. 4 is a top view thereof;
FIG. 5 is a back view thereof;
FIG. 6 is a bottom view thereof;
FIG. 7 is a right side view thereof; and,
FIG. 8 is left side view thereof.

The broken lines shown in the figures are for illustrative purposes only and form no part of the claimed design.
The chain lines shown in the figures are to indicate a boundary between a claimed design and disclaimed portion, and those are not a part of a claimed design or disclaimed portion.

1 Claim, 8 Drawing Sheets



(58) **Field of Classification Search**

CPC . 19/07741; G06K 19/07743; G06K 19/07745;
 G06K 19/07747; G06K 19/07749; G06K
 19/07758; G06K 19/07767; G06K
 19/07769; G06K 19/07771; G06K
 19/07773; G06K 19/07775; G06K
 19/083; G06K 19/086; G06K 19/145;
 G06K 19/18; G06K 2215/0022; G06K
 2215/0025; G06K 2215/0028; G06K
 2215/0031; G06K 2215/004; G06K
 2215/0082; G06F 21/86; G06F 21/87;
 G06F 21/88; G06F 21/77-80; G06F
 21/85-88; G06F 21/00; G06Q 20/3229;
 G06Q 20/34; G06Q 20/341; G06Q
 20/346; G06Q 20/349; G06Q 20/3563;
 G06Q 20/3567; G06Q 20/357; H05K
 5/026; H05K 5/0256; H05K 5/0265;
 H05K 5/0269; H05K 5/0273; H05K
 5/0278; H05K 5/0282; H05K 5/0286;
 H05K 5/0291; H05K 5/0295; H05K 5/03;
 H05K 5/04; H05K 5/06; H05K 5/061;
 H05K 5/062; H05K 5/063; H05K 5/064;
 H05K 5/065; H05K 5/066; H05K 5/067;
 H05K 5/068; H05K 5/069; H05K 7/00;
 H05K 7/005; H05K 7/02; H05K 7/023;
 H05K 7/026; H05K 7/04; H05K 7/10;
 H05K 7/1418; H05K 7/142; H05K
 7/1424; H05K 7/1427-1439; H05K
 7/1461; H05K 7/1464-1474; H05K
 7/1479; H05K 7/1481; H05K
 7/1485-1488; H05K 2201/09745; H05K
 2201/09754; H05K 2201/09763; H05K
 2201/09772; H05K 2201/098; H05K
 2201/09818; H05K 2201/10; H05K
 2201/10007; H05K 2201/10098; H05K
 2201/10143; H05K 2201/10159; H05K
 2201/10174; H05K 2201/10212; H05K
 2201/1028; H05K 2201/1013; H05K
 2201/10431; H05K 2201/10462; H05K
 2201/10545; H05K 2201/10553; H05K
 2201/1056; H05K 2201/10621; H05K
 2201/10636; H05K 2203/05; H05K
 3/368; H05K 3/3436; H05K 3/36; H05K
 3/40; H05K 3/4007; H05K 3/4015; H05K
 3/403; H05K 3/4053; H05K 3/4092;
 H05K 3/42; H05K 3/421; H05K 3/46;
 H05K 1/14; H05K 1/141; H05K 1/142;
 H05K 1/144; H05K 1/145; H05K 1/182;
 H05K 1/117; H05K 2201/09063; H05K
 2201/09409; H05K 2201/10598; H04N

2201/216; H01R 12/712; H01R 13/26;
 H01R 13/652; A63F 13/95; A63F 9/24

See application file for complete search history.

(56)

References Cited

U.S. PATENT DOCUMENTS

D421,967 S * 3/2000 Oba D13/182
 D452,281 S 12/2001 Ohno
 6,333,854 B1 * 12/2001 Sasaoka H05K 5/026
 235/429
 D457,887 S * 5/2002 Kadonaga D13/182
 D479,208 S * 9/2003 Takahashi D13/182
 6,641,413 B2 11/2003 Kuroda
 6,646,885 B1 11/2003 Yu
 D484,883 S 1/2004 Metivier
 D488,475 S * 4/2004 Yu D14/436
 D488,477 S 4/2004 Yu
 D492,687 S 7/2004 Yu
 D493,466 S * 7/2004 Yu D14/436
 6,768,645 B2 * 7/2004 Kadonaga G06K 7/0047
 235/492
 D498,760 S 11/2004 Chiang
 D536,382 S 2/2007 Sugino
 D554,123 S * 10/2007 Day D14/436
 7,392,343 B2 * 6/2008 Oshima G06F 3/0614
 365/230.01
 D585,068 S * 1/2009 Elliott D14/436
 D594,418 S * 6/2009 Fujino D13/147
 D611,103 S * 3/2010 Fujino D21/332
 D641,050 S 7/2011 Matsui
 D670,292 S 11/2012 Komatani
 9,442,539 B2 * 9/2016 Stone G06F 1/185
 9,853,379 B1 12/2017 Hirose
 D836,641 S * 12/2018 Zenri D14/436
 D855,577 S * 8/2019 Hsu D13/182
 2003/0040353 A1 2/2003 Takamoto
 2005/0247786 A1 * 11/2005 Chen G06K 19/077
 235/441
 2005/0272290 A1 * 12/2005 Yoneyama G06K 13/08
 439/159
 2006/0000914 A1 * 1/2006 Chen G06K 19/07749
 235/492
 2006/0009079 A1 * 1/2006 Chen G06K 7/0052
 439/630
 2006/0100021 A1 5/2006 Yoshino
 2006/0172572 A1 * 8/2006 Matsukawa G06K 13/08
 439/159
 2006/0172603 A1 * 8/2006 Matsumoto H01R 13/645
 439/630
 2009/0014522 A1 * 1/2009 Harris G06K 7/0021
 235/457
 2009/0017687 A1 1/2009 Harris
 2009/0298321 A1 12/2009 Sakiyama
 2014/0221096 A1 8/2014 Yamane
 2014/0302920 A1 10/2014 Beckett
 2014/0378224 A1 12/2014 Beckett

* cited by examiner

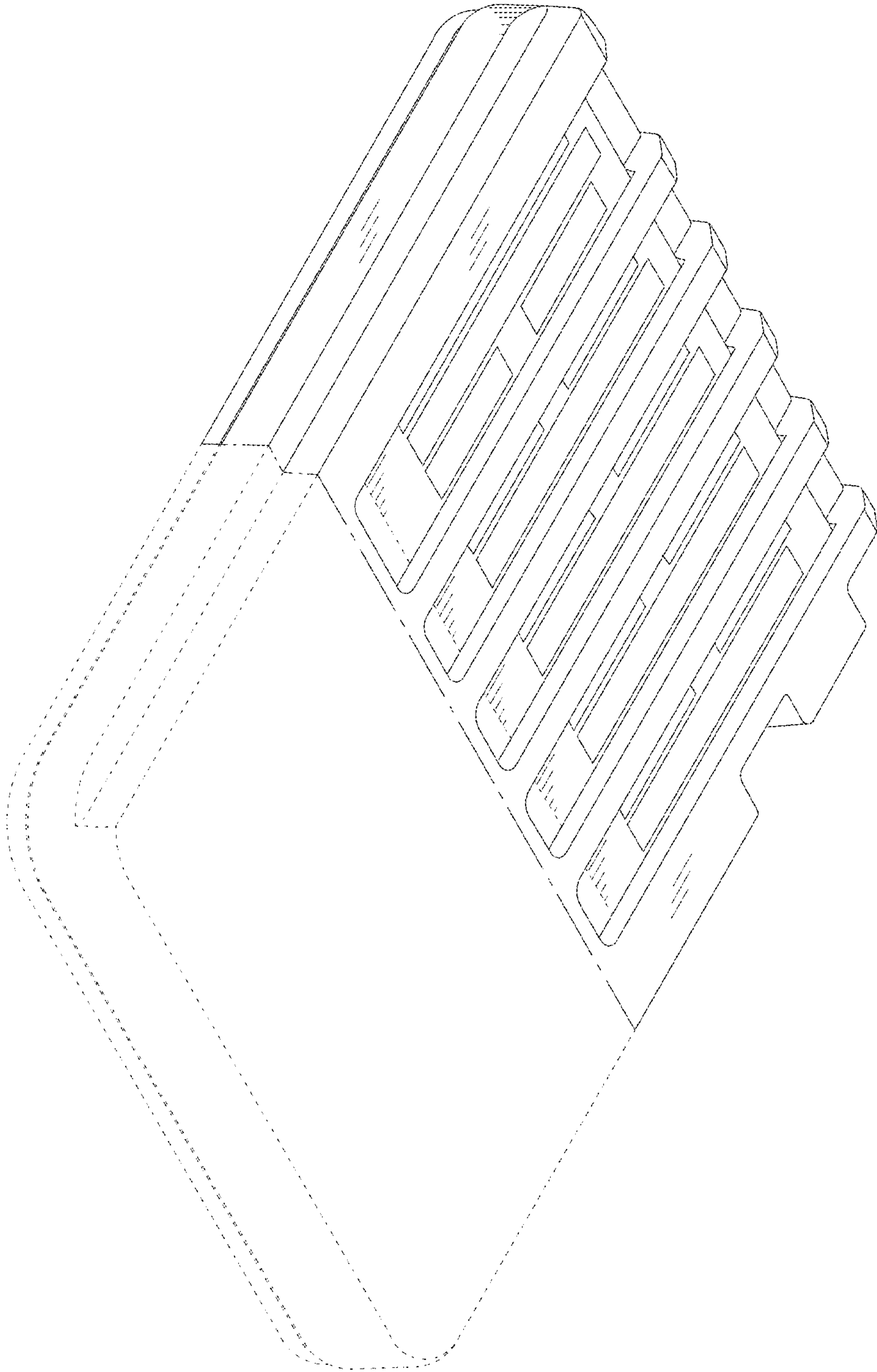


FIG. 1

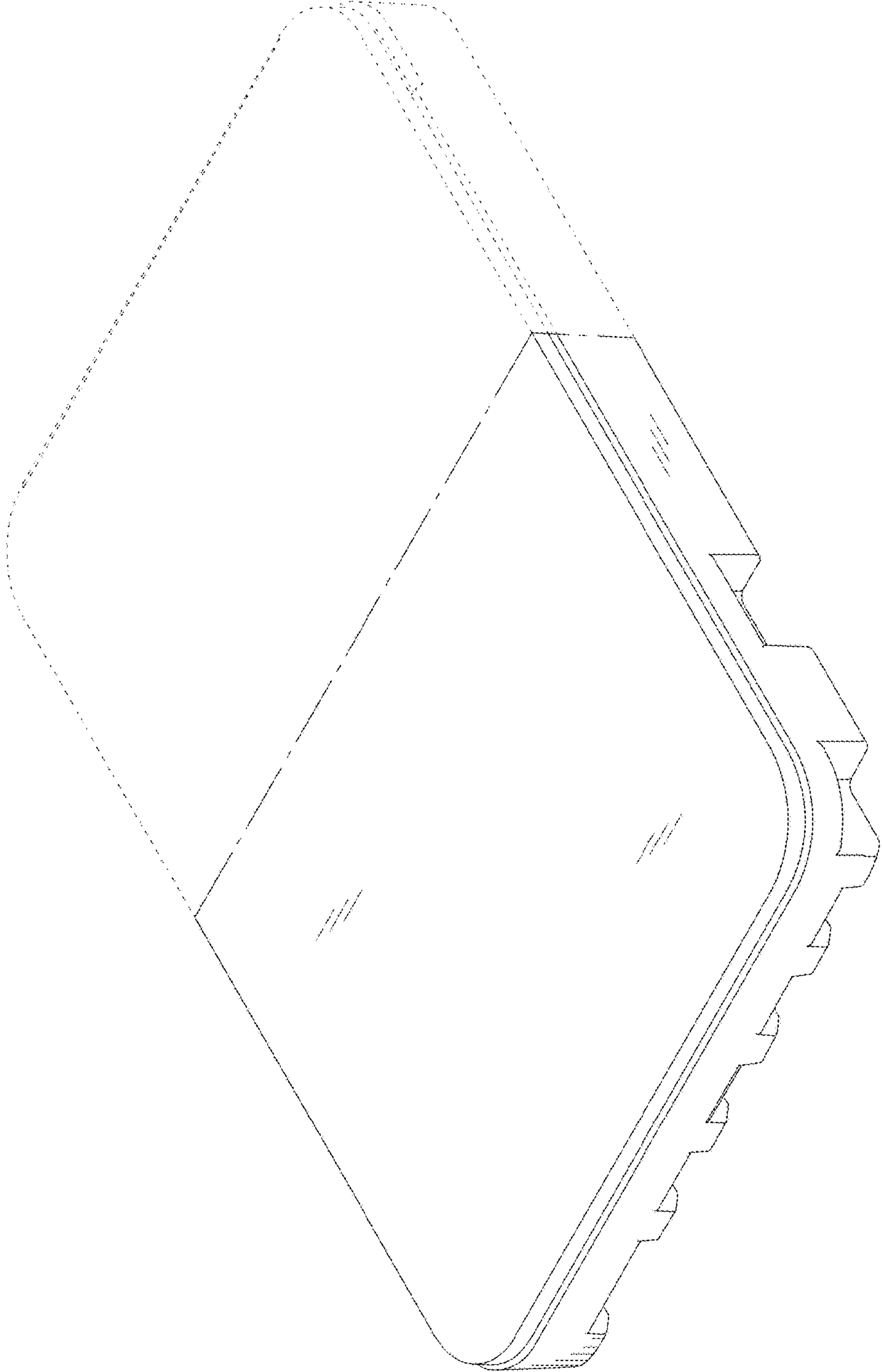


FIG. 2

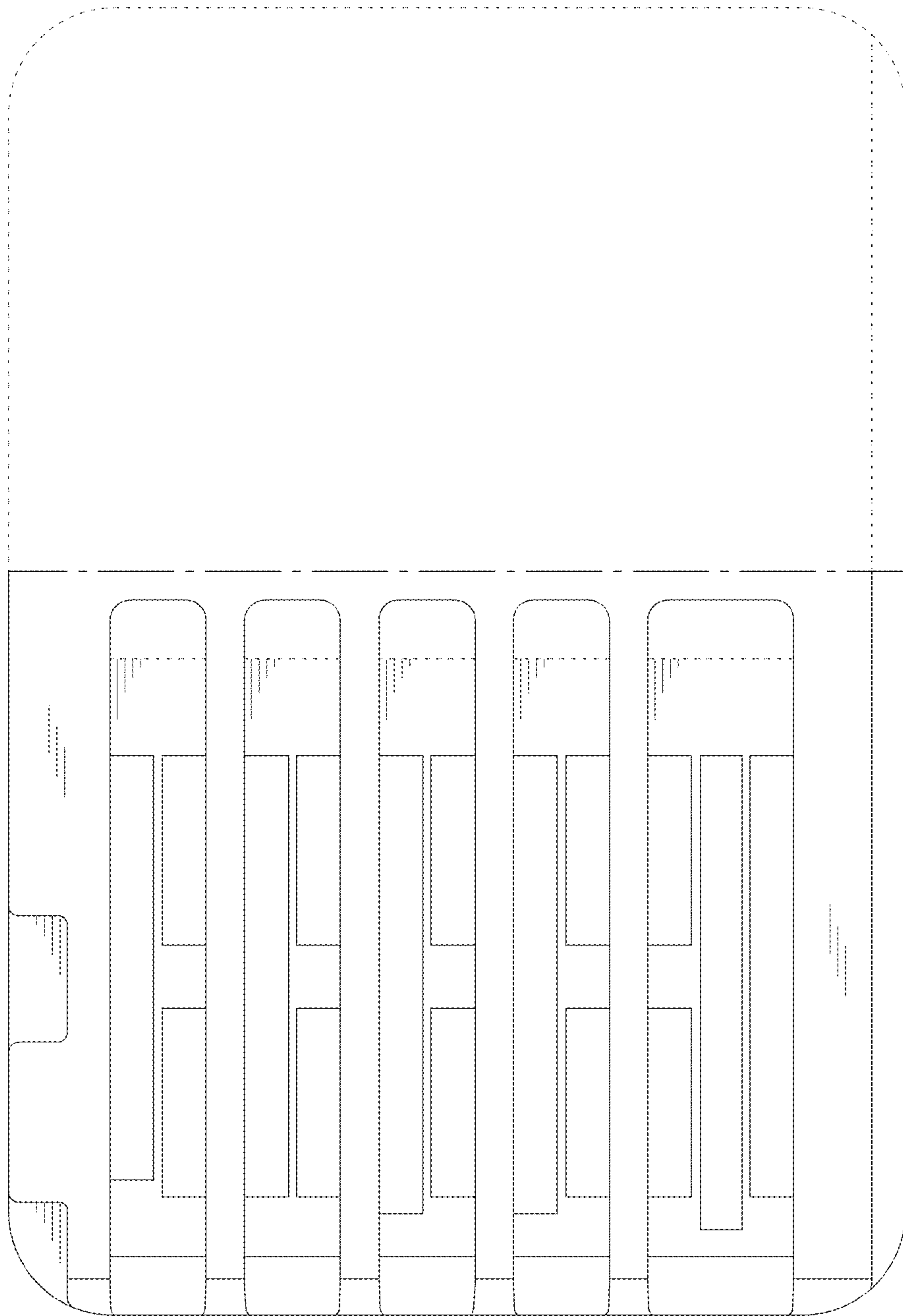


FIG. 3

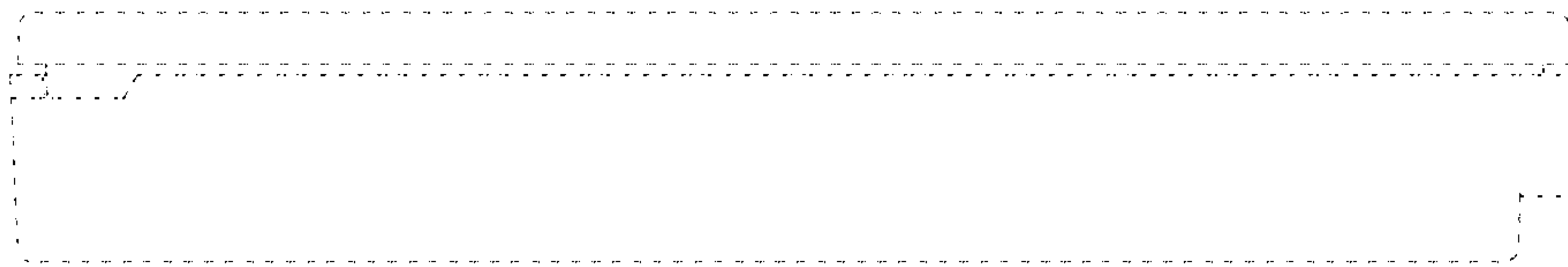


FIG. 4

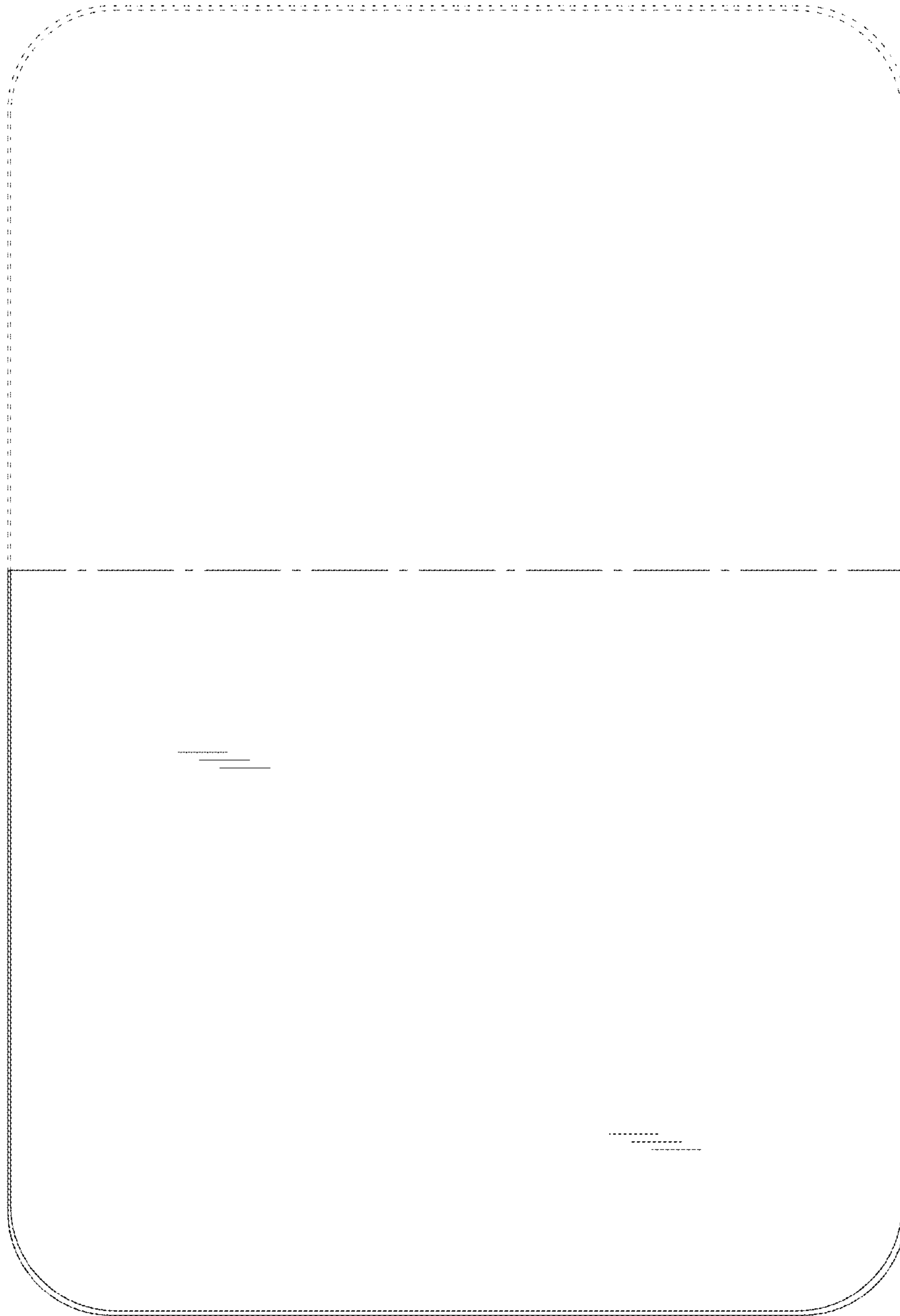


FIG. 5

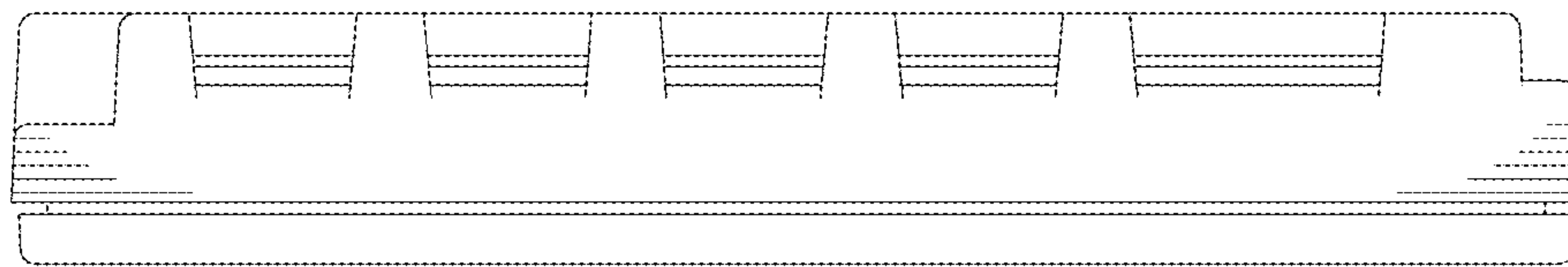


FIG. 6

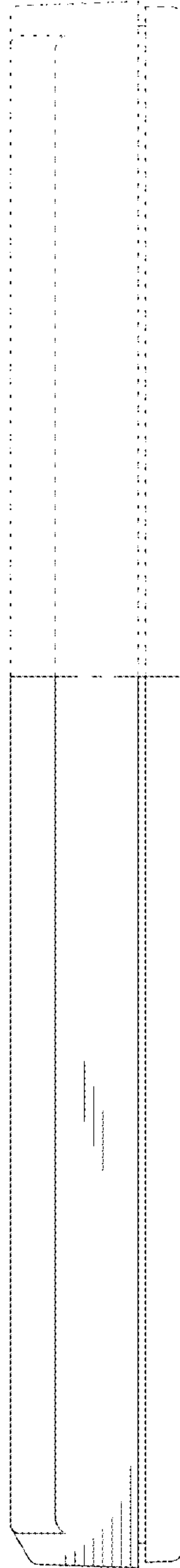


FIG. 7

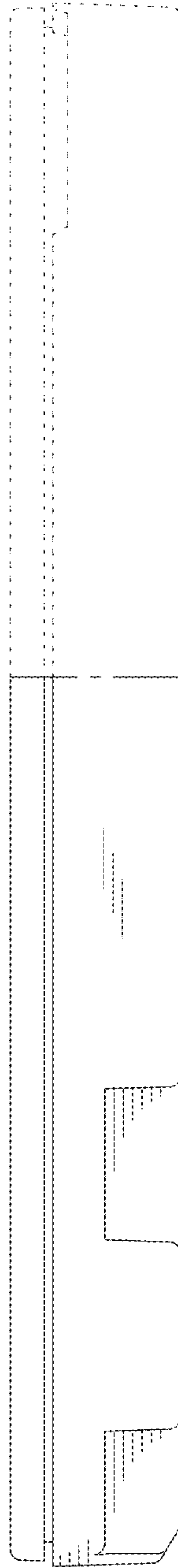


FIG. 8

UNITED STATES PATENT AND TRADEMARK OFFICE
CERTIFICATE OF CORRECTION


PATENT NO. : D866,561 S
APPLICATION NO. : 29/664956
DATED : November 12, 2019
INVENTOR(S) : Yuko Zenri et al.

Page 1 of 1

It is certified that error appears in the above-identified patent and that said Letters Patent is hereby corrected as shown below:

On the Title Page

Change “(72) Inventors: Yuko Zenri, Kyoto (JP); Hitoshi Tsuchiya, Kyoto (JP)”
To --(72) Inventors: Yuko Zenri, Kyoto (JP); Hitoshi Tsuchiya, Kyoto (JP); Shinji Hirose, Kyoto (JP);
Yuta Fujita, Kyoto (JP)--.

Signed and Sealed this
Seventh Day of May, 2024

Katherine Kelly Vidal
Director of the United States Patent and Trademark Office