



US00D866559S

(12) **United States Design Patent** (10) **Patent No.:** **US D866,559 S**  
**Shim** (45) **Date of Patent:** **\*\* Nov. 12, 2019**

(54) **SSD STORAGE DEVICE**

G06K 19/073; G06K 19/07309; G06K 19/077; G06K 19/07701; G06K 19/07715; G06K 19/0772; G06K 19/07722; G06K 19/07724; G06K 19/07726; G06K 19/07728; G06K 7/0021; G06K 13/0831;

(71) Applicant: **SAMSUNG ELECTRONICS CO., LTD.**, Suwon-si (KR)

(72) Inventor: **Shady Shim**, Seoul (KR)

(73) Assignee: **SAMSUNG ELECTRONICS CO., LTD.**, Suwon-si (KR)

(Continued)

(\*\*) Term: **15 Years**

(21) Appl. No.: **29/599,919**

(22) Filed: **Apr. 7, 2017**

(30) **Foreign Application Priority Data**

Nov. 11, 2016 (KR) ..... 30-2016-0054383

(51) **LOC (12) Cl.** ..... **14-02**

(52) **U.S. Cl.**  
USPC ..... **D14/435**

(58) **Field of Classification Search**  
USPC ..... D14/435-438, 478-480, 356, 251, 253, D14/432, 434, 480.5, 358, 480.7, 484.1, D14/480.1, 363, 348, 341, 367, 138 G, D14/138 AD, 240, 498, 496, 474, 433, D14/507, 509, 203.1, 203.3, 203.6, 167, D14/160, 171, 214; 235/441, 443, 487, 235/492, 493, 495; 361/737, 679, 752, 361/736, 728, 796, 797, 729, 730, 361/725-727, 600, 679.33, 709; 257/678, 257/679, 693, E23.064; 439/946, 948, 439/159, 1, 76.1; 174/250, 260, 52.1, 174/52.2, 254; 710/300-303; 438/121; D13/108, 103, 107, 109, 110, 118, 119, D13/184, 199, 138.1; 320/107-115, 101; 455/558, 575.1; D21/332, 330; 360/99.13-99.15; D26/37-39, 46, 51, 52, D26/60

CPC ..... G06K 19/06196; G06K 19/072; G06K 19/0721; G06K 19/0722; G06K 19/0723; G06K 19/0724; G06K 19/0725; G06K 19/0726; G06K 19/0727; G06K 19/0728;

(56) **References Cited**

U.S. PATENT DOCUMENTS

4,443,694 A \* 4/1984 Sanford ..... G06K 7/12 235/462.04  
D327,954 S \* 7/1992 Lawrence ..... D26/37  
(Continued)

FOREIGN PATENT DOCUMENTS

CN 302973962 S 10/2014  
EM 001036198-0001 5/2008  
KR 30-0374698 S 3/2005

*Primary Examiner* — Susan Moon Lee

(74) *Attorney, Agent, or Firm* — Sughrue Mion, PLLC

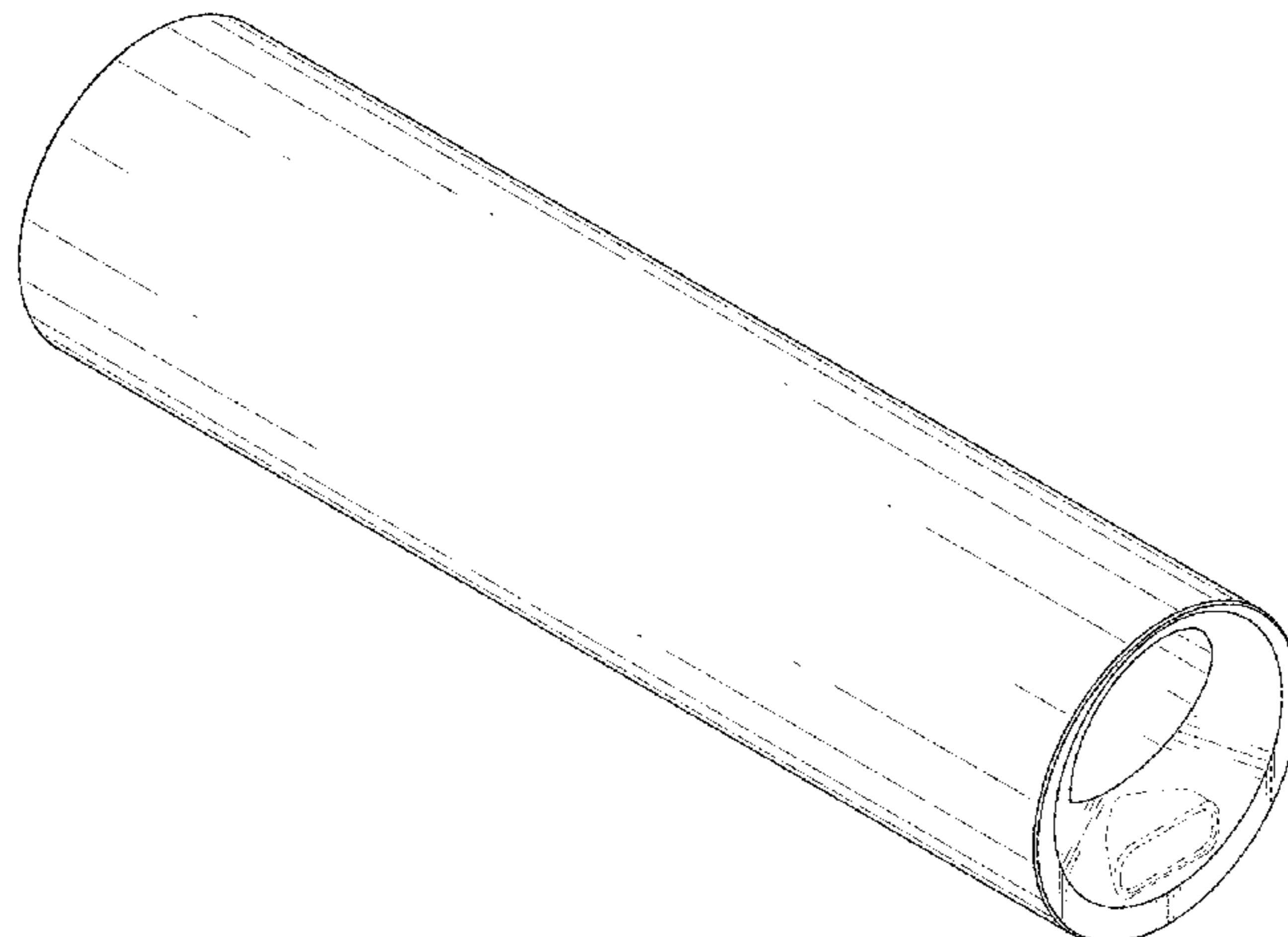
(57) **CLAIM**

The ornamental design for an SSD storage device, as shown and described.

**DESCRIPTION**

FIG. 1 is a perspective view of an SSD storage device showing our new design.  
FIG. 2 is a front elevation view thereof.  
FIG. 3 is a rear elevation view thereof.  
FIG. 4 is a left side elevation view thereof.  
FIG. 5 is a right side elevation view thereof.  
FIG. 6 is a top plan view thereof; and,  
FIG. 7 is a bottom plan view thereof.  
The broken lines depict unclaimed features of the SSD storage device that form no part of the design claim but are shown for illustrative purposes.

**1 Claim, 5 Drawing Sheets**



(58) **Field of Classification Search**

CPC .... G06F 21/86; G06F 21/87; G06F 21/77-80;  
 G06F 21/85-88; G06F 21/00; G06Q  
 20/3229; G06Q 20/34; G06Q 20/341;  
 G06Q 20/346; G06Q 20/349; G06Q  
 20/3563; G06Q 20/3567; G06Q 20/357;  
 G06Q 20/3576; H05K 5/026; H05K  
 5/0256; H05K 5/0265; H05K 5/0269;  
 H05K 5/0273; H05K 5/0278; H05K  
 5/0282; H05K 5/0286; H05K 5/0291;  
 H05K 5/0295; H05K 5/03; H05K 5/04;  
 H05K 5/06; H05K 5/061; H05K 5/062;  
 H05K 5/063; H05K 5/064; H05K 5/065;  
 H05K 5/066; H05K 5/067; H05K 5/068;  
 H05K 5/069; H05K 7/00; H05K 7/005;  
 H05K 7/02; H05K 7/023; H05K 7/026;  
 H05K 7/04; H05K 7/10; H05K 7/1418;  
 H05K 7/142; H05K 7/1424; H05K  
 7/1427-1439; H05K 7/1461; H05K  
 7/1464-1474; H05K 7/1479; H05K  
 7/1481; H05K 7/1485-1488; H05K  
 2201/09745; H05K 2201/09754; H05K  
 2201/09763; H05K 2201/09772; H05K  
 2201/098; H05K 2201/09818; H05K  
 2201/10; H05K 2201/10007; H04N  
 2201/216; H04B 1/3816; H04B 1/3818;  
 G11B 25/00; G11B 25/02; G11B 25/04;  
 G11B 25/043; G11B 33/122-124

See application file for complete search history.

(56)

**References Cited**

U.S. PATENT DOCUMENTS

D344,149 S \* 2/1994 Mele ..... D26/37  
 5,349,362 A \* 9/1994 Forbes ..... H01Q 1/42  
 343/701  
 D385,636 S \* 10/1997 Chen ..... D26/37  
 D404,510 S \* 1/1999 Cheng ..... D26/37  
 D407,508 S \* 3/1999 Chiu ..... D26/37  
 D437,066 S \* 1/2001 Kohlhase ..... D26/38  
 D443,705 S \* 6/2001 Sanders ..... D26/37  
 6,247,649 B1 \* 6/2001 Nada ..... G06K 7/10881  
 235/462.45  
 D445,926 S \* 7/2001 Cheong ..... D26/37  
 D447,258 S \* 8/2001 Zeller ..... D26/37  
 D450,144 S \* 11/2001 Kim ..... D26/38  
 D466,636 S \* 12/2002 Chun ..... D26/37  
 D475,798 S \* 6/2003 Galli ..... D26/37  
 D481,406 S \* 10/2003 Alessio ..... D16/203  
 D485,924 S \* 1/2004 Kihara ..... D26/37  
 D489,469 S \* 5/2004 Liou ..... D26/37  
 D489,679 S \* 5/2004 Wong ..... D13/103  
 D490,919 S \* 6/2004 Wiesmeth ..... D26/37  
 D490,920 S \* 6/2004 Wiesmeth ..... D26/37  
 D490,922 S \* 6/2004 Chen ..... D26/37  
 D491,301 S \* 6/2004 Chen ..... D26/37  
 D493,007 S \* 7/2004 Rugendyke ..... D26/37  
 D494,695 S \* 8/2004 Oas ..... D26/37  
 D495,074 S \* 8/2004 Oas ..... D26/37  
 D497,445 S \* 10/2004 Chan ..... D26/37  
 D498,014 S \* 11/2004 Cormier ..... D26/37  
 D508,748 S \* 8/2005 Man ..... D26/37  
 D512,168 S \* 11/2005 Suzuki ..... D26/37  
 D517,230 S \* 3/2006 Ho ..... D26/37  
 D520,489 S \* 5/2006 Hakoda ..... D14/171  
 D524,963 S \* 7/2006 Thuma ..... D26/38  
 D525,381 S \* 7/2006 Hodgson ..... D26/60  
 D527,476 S \* 8/2006 Craft ..... D26/37  
 D532,131 S \* 11/2006 Thuma ..... D26/38  
 D532,372 S \* 11/2006 Keating ..... D13/108  
 D532,745 S \* 11/2006 Gaber ..... D13/108

D535,418 S \* 1/2007 Martin ..... D26/37  
 D539,216 S \* 3/2007 Hamaguchi ..... D13/103  
 D539,217 S \* 3/2007 Hamaguchi ..... D13/103  
 D539,218 S \* 3/2007 Gaber ..... D13/108  
 D543,143 S \* 5/2007 Hamaguchi ..... D13/103  
 D544,116 S \* 6/2007 Wai ..... D26/37  
 D544,120 S \* 6/2007 Matthews ..... D26/37  
 D548,380 S \* 8/2007 Wai ..... D26/37  
 D551,368 S \* 9/2007 Shiu ..... D26/37  
 D551,369 S \* 9/2007 Mah ..... D26/37  
 D555,085 S \* 11/2007 Kim ..... D13/103  
 D555,820 S \* 11/2007 Lam ..... D26/38  
 D560,014 S \* 1/2008 Lammel ..... D26/61  
 D566,312 S \* 4/2008 Lui ..... D26/37  
 D568,507 S \* 5/2008 Shiu ..... D26/37  
 D574,768 S \* 8/2008 Witte ..... D13/103  
 D577,333 S \* 9/2008 Daniel ..... D13/103  
 D578,687 S \* 10/2008 Hong ..... D26/37  
 D579,594 S \* 10/2008 Hesse ..... D26/37  
 D582,843 S \* 12/2008 Linardos ..... D13/103  
 D593,488 S \* 6/2009 Harrison ..... D13/103  
 D595,223 S \* 6/2009 Yamamoto ..... D13/108  
 D597,938 S \* 8/2009 Lee ..... D13/108  
 D598,374 S \* 8/2009 Sasada ..... D13/108  
 D603,331 S \* 11/2009 Schupp ..... D13/103  
 D607,815 S \* 1/2010 Lui ..... D13/107  
 D613,742 S \* 4/2010 Avery ..... D14/411  
 D623,589 S \* 9/2010 Tarter ..... D13/103  
 D631,010 S \* 1/2011 Smith ..... D13/108  
 D631,837 S \* 2/2011 Smith ..... D13/108  
 D633,034 S \* 2/2011 Heine ..... D13/103  
 D633,035 S \* 2/2011 Heine ..... D13/103  
 D643,138 S \* 8/2011 Kawase ..... D26/37  
 D645,816 S \* 9/2011 Sasada ..... D13/108  
 D645,839 S \* 9/2011 Skurdal ..... D14/171  
 D654,020 S \* 2/2012 Au ..... D13/108  
 D656,458 S \* 3/2012 Yamaguchi ..... D13/103  
 D656,648 S \* 3/2012 Tompkin ..... D26/46  
 D658,580 S \* 5/2012 Gebski ..... D13/108  
 D664,498 S \* 7/2012 Liu ..... D13/103  
 D664,920 S \* 8/2012 Huang ..... D13/107  
 D665,346 S \* 8/2012 Kumagai ..... D13/108  
 D666,660 S \* 9/2012 Amit ..... D16/203  
 D674,746 S \* 1/2013 Zhang ..... D13/102  
 D676,170 S \* 2/2013 Feng ..... D26/38  
 D686,155 S \* 7/2013 Nguyen ..... D13/103  
 D695,216 S \* 12/2013 Miller ..... D13/108  
 D697,028 S \* 1/2014 Workman ..... D13/110  
 D698,056 S \* 1/2014 Forbes ..... D26/42  
 D704,636 S \* 5/2014 Huang ..... D13/108  
 D705,725 S \* 5/2014 Ryu ..... D13/108  
 D707,870 S \* 6/2014 Hodgson ..... D26/62  
 RE45,068 E \* 8/2014 Schmidt ..... A61M 15/0086  
 128/200.23  
 D718,335 S \* 11/2014 Lee ..... D14/203.1  
 D720,688 S \* 1/2015 Popper ..... D13/103  
 D727,850 S \* 4/2015 Easterly, III ..... D13/144  
 D730,282 S \* 5/2015 Miller ..... D13/103  
 D733,050 S \* 6/2015 Chiang ..... D13/103  
 D733,650 S \* 7/2015 Liu ..... D13/108  
 D735,661 S \* 8/2015 Miller ..... H02J 7/0027  
 D13/108  
 D735,663 S \* 8/2015 Miller ..... D13/103  
 D736,148 S \* 8/2015 Liu ..... D13/108  
 D736,974 S \* 8/2015 Hammer ..... D26/37  
 D738,302 S \* 9/2015 Jeong ..... D13/108  
 D742,855 S \* 11/2015 Carbone ..... D14/214  
 D743,395 S \* 11/2015 Chen ..... D14/385  
 D743,594 S \* 11/2015 Scazziga ..... D26/37  
 D743,595 S \* 11/2015 Fischer ..... D26/38  
 D747,521 S \* 1/2016 Sheikh ..... D22/117  
 D748,309 S \* 1/2016 Cheng ..... D22/117  
 D749,044 S \* 2/2016 Huang ..... D13/108  
 D749,254 S \* 2/2016 Robinson ..... D26/37  
 D749,506 S \* 2/2016 Morgan ..... D13/108  
 D750,017 S \* 2/2016 Miller ..... D13/108  
 D750,018 S \* 2/2016 Miller ..... D13/108  
 D750,019 S \* 2/2016 Miller ..... D13/108  
 D754,377 S \* 4/2016 Nook ..... D26/37

(56)

References Cited

U.S. PATENT DOCUMENTS

D756,326 S \* 5/2016 Holzer ..... D14/171  
 D756,908 S \* 5/2016 Chung ..... D13/103  
 D757,646 S \* 5/2016 Pearson ..... D13/103  
 D762,564 S \* 8/2016 Patton ..... D13/103  
 D763,788 S \* 8/2016 Bakker ..... D13/103  
 D766,480 S \* 9/2016 Bo ..... D26/60  
 D772,455 S \* 11/2016 Chen ..... D26/38  
 D773,389 S \* 12/2016 Miller ..... D13/103  
 D774,452 S \* 12/2016 Rost ..... D13/103  
 D780,113 S \* 2/2017 Xianxi ..... D13/103  
 D780,115 S \* 2/2017 Huang ..... D13/107  
 D780,151 S \* 2/2017 Jeon ..... D14/171  
 D780,690 S \* 3/2017 Clapper ..... D13/108  
 D782,413 S \* 3/2017 Tsui ..... D13/108  
 D782,414 S \* 3/2017 Worthington ..... D13/103  
 D786,788 S \* 5/2017 Chen ..... D13/108  
 9,644,402 B1 \* 5/2017 Su ..... E05B 73/0082  
 D788,697 S \* 6/2017 Verleur ..... D13/103  
 D791,077 S \* 7/2017 Tsou ..... D13/108  
 D797,043 S \* 9/2017 Akana ..... D13/103  
 D798,594 S \* 10/2017 Boler ..... D3/273  
 D801,505 S \* 10/2017 Yin ..... D23/364  
 D804,090 S \* 11/2017 Verleur ..... D27/101

D806,017 S \* 12/2017 Roberts ..... D13/103  
 D806,297 S \* 12/2017 Du ..... D26/60  
 D810,015 S \* 2/2018 Carreon ..... D13/108  
 D810,741 S \* 2/2018 Bae ..... D14/371  
 D813,155 S \* 3/2018 Yamada ..... D13/103  
 D814,677 S \* 4/2018 Sukphisit ..... D26/60  
 D815,037 S \* 4/2018 Chen ..... D13/108  
 D817,268 S \* 5/2018 Symons ..... D13/108  
 D817,269 S \* 5/2018 Sukphist ..... D13/108  
 D819,118 S \* 5/2018 Muhlenkamp, IV ..... D16/243  
 D820,197 S \* 6/2018 Luke ..... D13/103  
 D823,844 S \* 7/2018 Ramones ..... D14/240  
 D825,835 S \* 8/2018 Verleur ..... D27/101  
 D828,595 S \* 9/2018 Lake ..... D26/38  
 10,104,913 B2 \* 10/2018 Lau ..... B65D 25/04  
 D833,384 S \* 11/2018 Takayanagi ..... D13/103  
 D837,733 S \* 1/2019 Bai ..... D13/108  
 D842,517 S \* 3/2019 Davidson ..... D26/49  
 D843,938 S \* 3/2019 Park ..... D13/108  
 D844,557 S \* 4/2019 Wang ..... D13/103  
 D844,629 S \* 4/2019 Brine ..... D14/474  
 D847,813 S \* 5/2019 Jun ..... D14/356  
 2004/0233629 A1 \* 11/2004 Wang ..... B43K 29/08  
 361/679.4  
 2007/0049794 A1 \* 3/2007 Glassenberg ..... A61B 1/00032  
 600/109

\* cited by examiner

FIG. 1

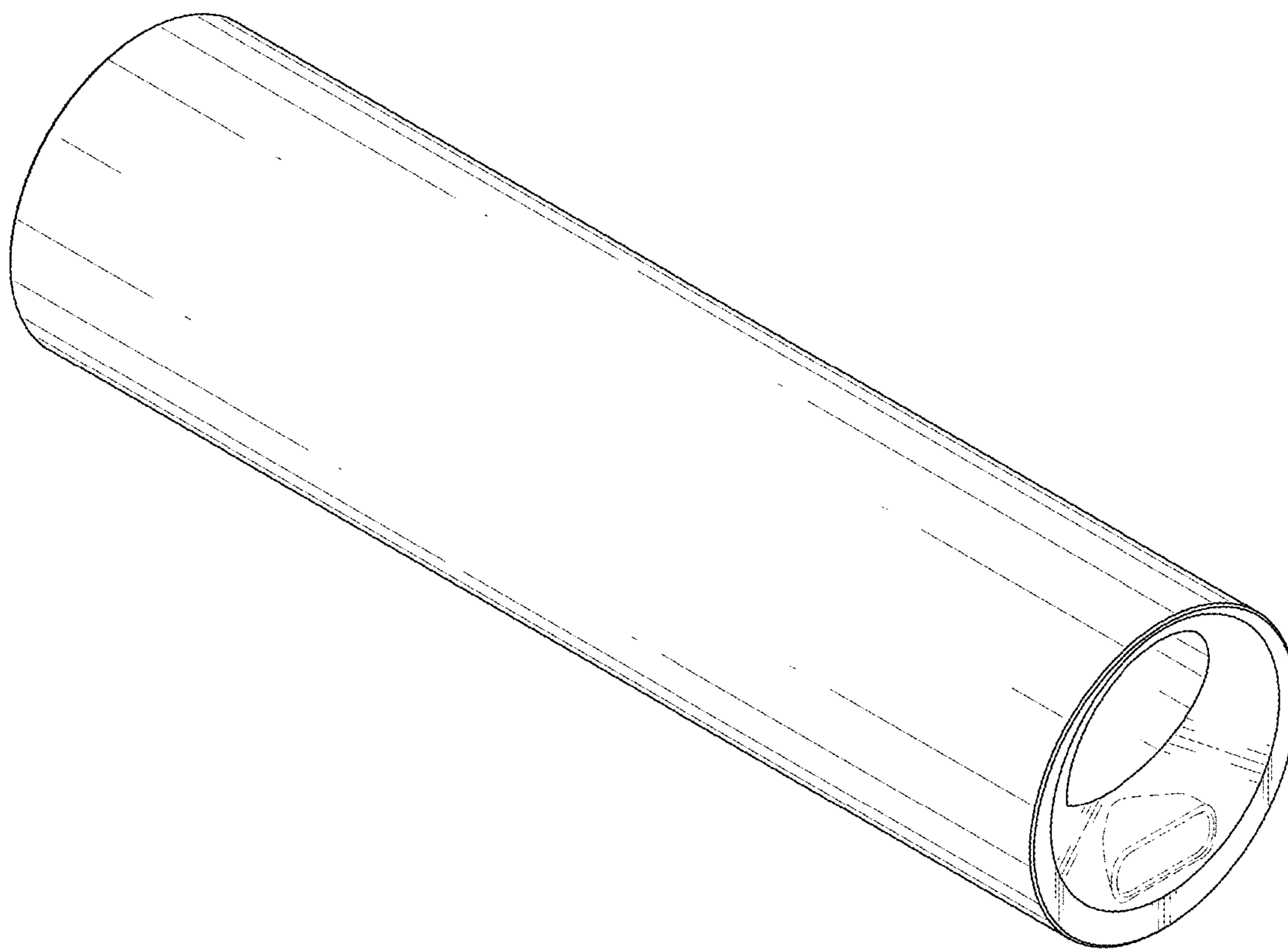


FIG. 2

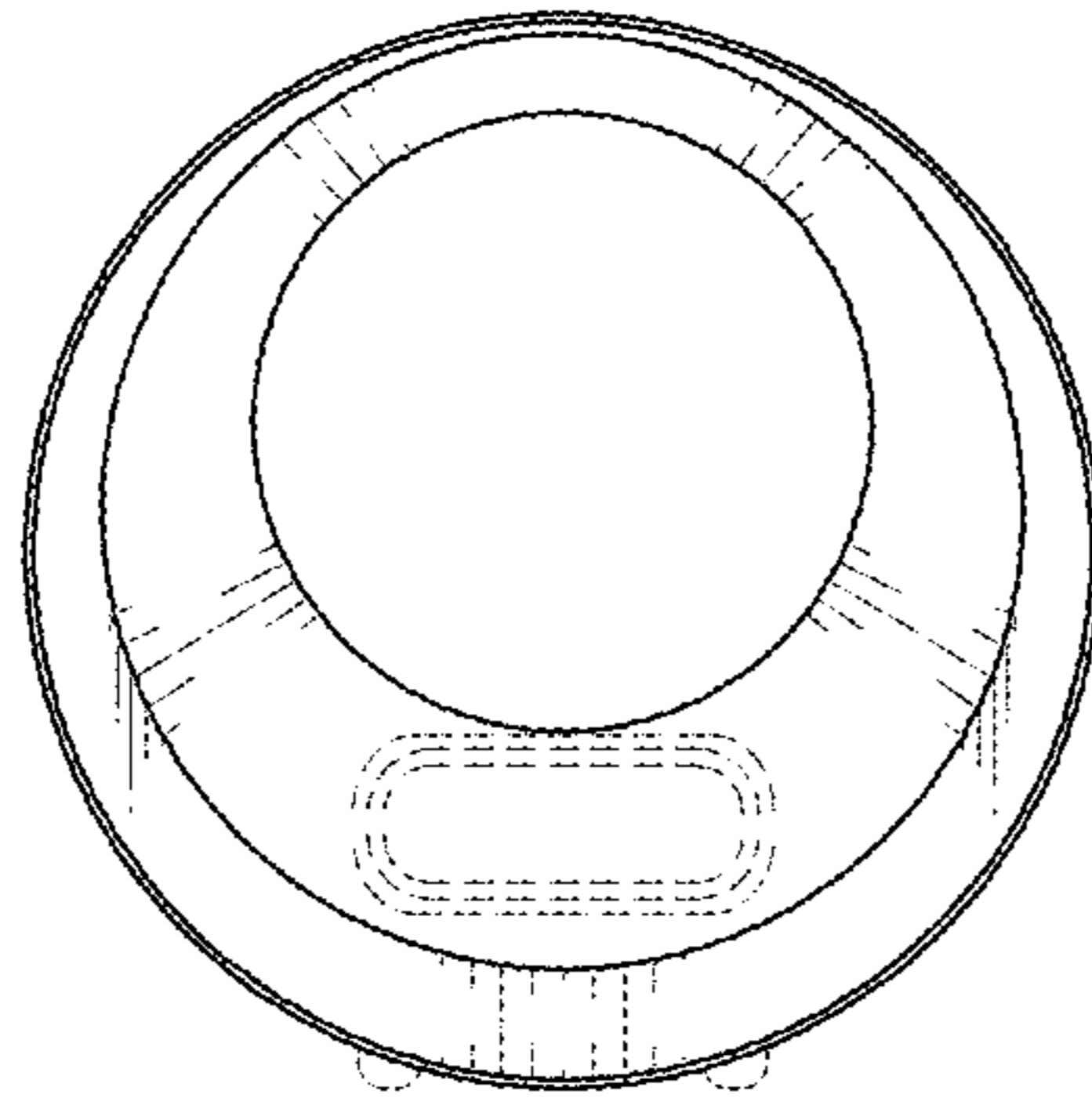


FIG. 3

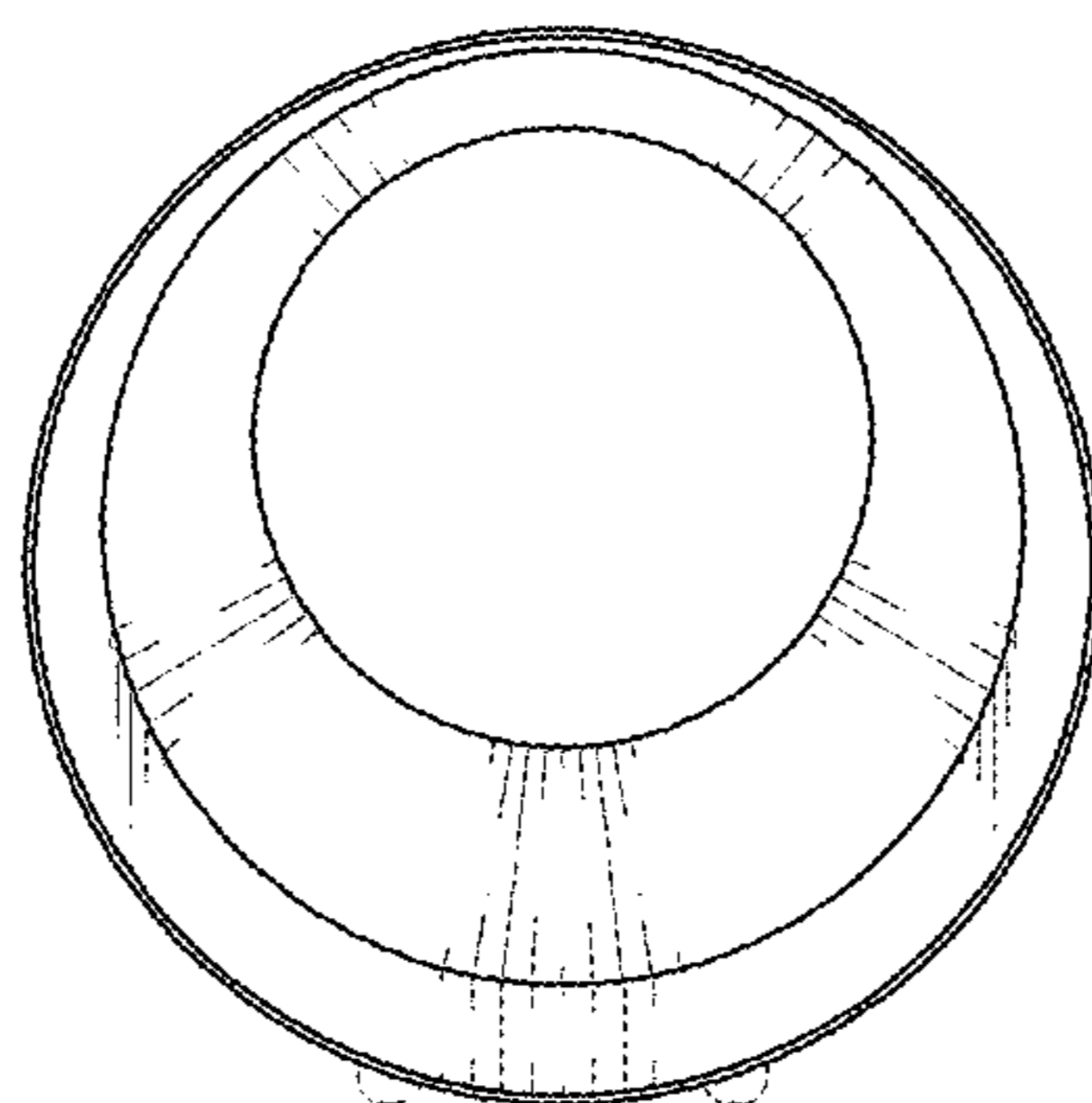


FIG. 4



FIG. 5

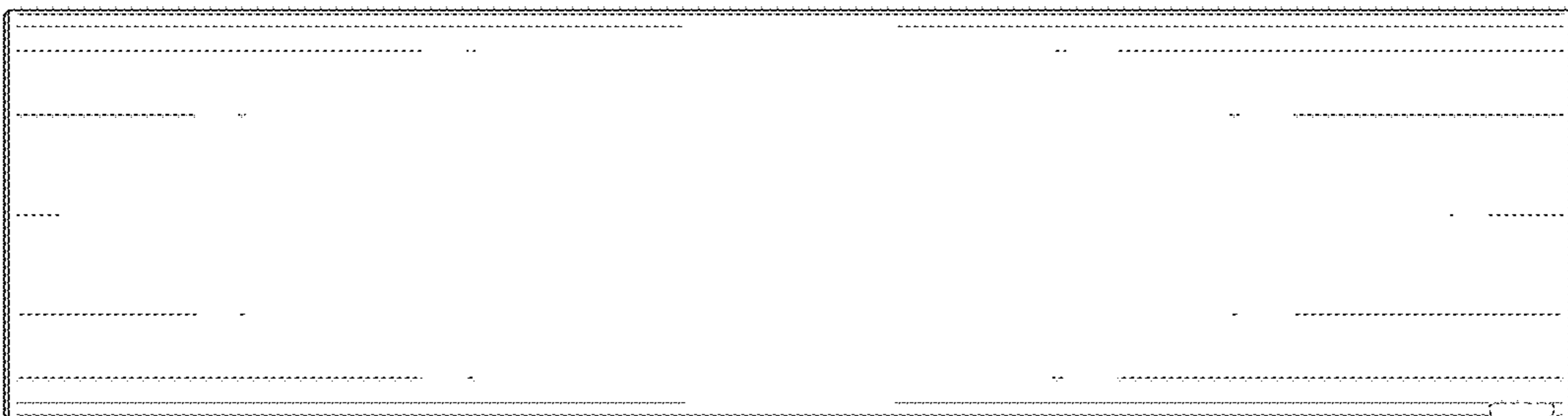


FIG. 6

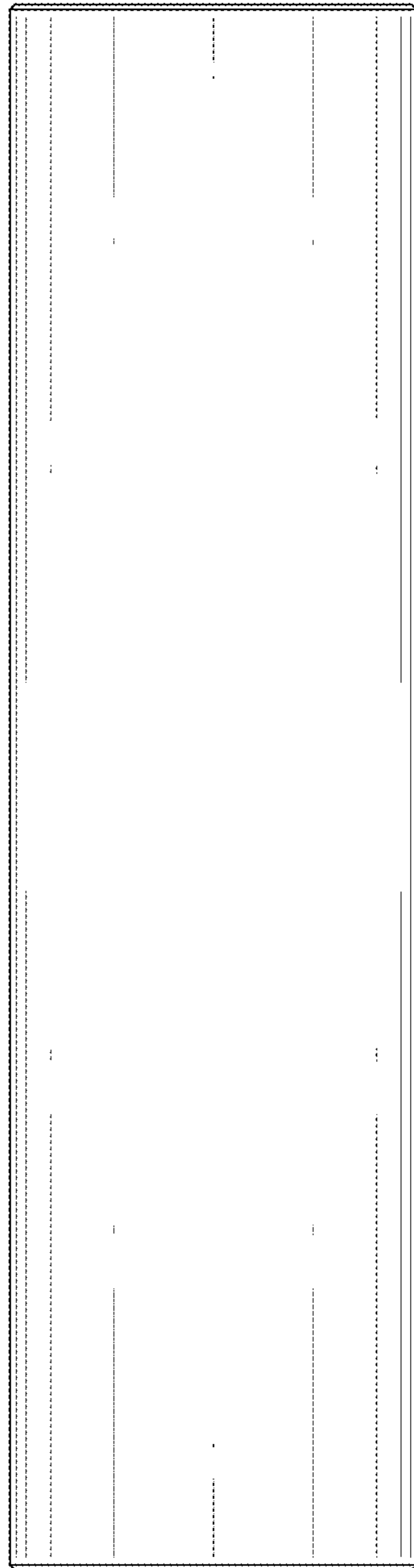


FIG. 7

