

US00D866558S

(12) **United States Design Patent** (10) **Patent No.:** **US D866,558 S**
Shim (45) **Date of Patent:** **** Nov. 12, 2019**

(54) **SSD STORAGE DEVICE**

(71) Applicant: **SAMSUNG ELECTRONICS CO., LTD.**, Suwon-si (KR)

(72) Inventor: **Shady Shim**, Seoul (KR)

(73) Assignee: **SAMSUNG ELECTRONICS CO., LTD.**, Suwon-si (KR)

(**) Term: **15 Years**

(21) Appl. No.: **29/599,712**

(22) Filed: **Apr. 6, 2017**

(30) **Foreign Application Priority Data**

Nov. 11, 2016 (KR) 30-2016-0054384

(51) **LOC (12) Cl.** **14-02**

(52) **U.S. Cl.**
USPC **D14/435**

(58) **Field of Classification Search**
USPC D14/435-438, 478-480, 356, 251, 253, D14/432, 434, 480.5, 358, 480.7, 484.1, D14/480.1, 363, 348, 341, 367, 138 G, D14/138 AD, 240, 498, 496; 235/441, 235/443, 487, 492, 493, 495; 361/737, 361/679, 752, 736, 728, 796, 797, 729, 361/730, 725-727, 600, 679.33, 709; 257/678, 679, 693, E23.064; 439/946, 439/948, 159, 1, 76.1; 174/250, 260, 174/52.1, 52.2, 254; 710/300-303; 438/121; D13/108, 103, 107, 109, 110, D13/118, 119, 184, 199, 138.1; 320/107-115, 101; 455/558, 575.1; D21/332, 330; 360/99.13-99.15; D26/37-39, 46, 51, 52, 60

CPC G06K 19/06196; G06K 19/072; G06K 19/0721; G06K 19/0722; G06K 19/0723; G06K 19/0724; G06K 19/0725; G06K 19/0726; G06K 19/0727; G06K 19/0728; G06K 19/073; G06K 19/07309; G06K 19/077; G06K 19/07701; G06K

19/07715; G06K 19/0772; G06K 19/07722; G06K 19/07724; G06K 19/07726; G06K 19/07728; G06K 7/0021; G06K 13/0831; G06F 21/86; G06F 21/87; G06F 21/88; G06F 21/77-80; G06F 21/85-88; G06F (Continued)

(56) **References Cited**

U.S. PATENT DOCUMENTS

1,999,328 A * 4/1935 Lessard A45D 33/22 132/315
D233,762 S * 11/1974 Suyama D14/155 (Continued)

FOREIGN PATENT DOCUMENTS

CN 302973962 S 10/2014
EM 000629100-0001 12/2006
EM 000764410-0003 8/2007

Primary Examiner — Susan Moon Lee

(74) *Attorney, Agent, or Firm* — Sughrue Mion, PLLC

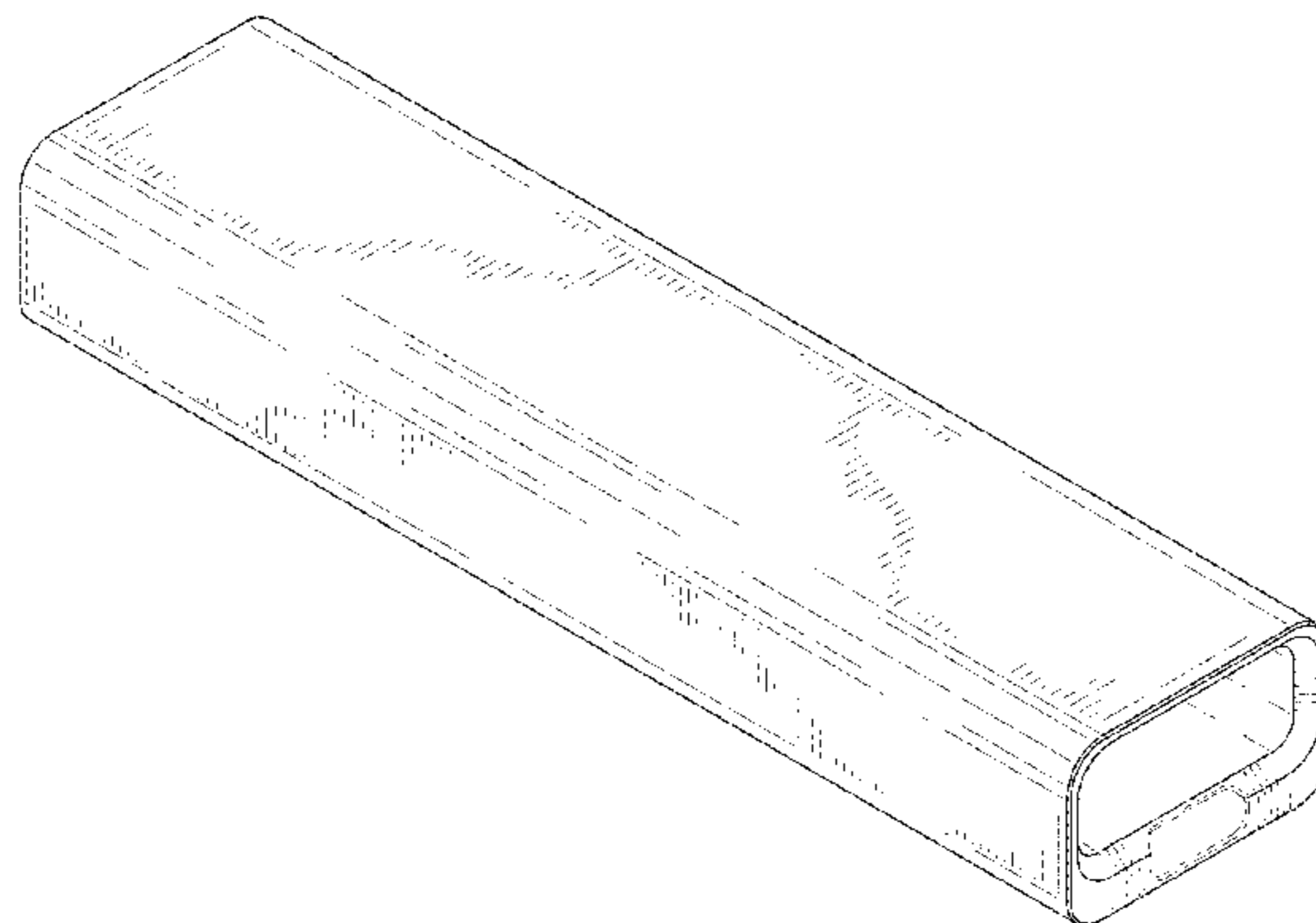
(57) **CLAIM**

The ornamental design for an SSD storage device, as shown and described.

DESCRIPTION

FIG. 1 is a perspective view of an SSD storage device showing our new design.
FIG. 2 is a front elevation view thereof.
FIG. 3 is a rear elevation view thereof.
FIG. 4 is a left side elevation view thereof.
FIG. 5 is a right side elevation view thereof.
FIG. 6 is a top plan view thereof; and,
FIG. 7 is a bottom plan view thereof.
The broken lines depict unclaimed features of the SSD storage device that form no part of the design claim but are shown for illustrative purposes.

1 Claim, 5 Drawing Sheets



(58) **Field of Classification Search**

CPC 21/00; G06Q 20/3229; G06Q 20/34; G06Q 20/341; G06Q 20/346; G06Q 20/349; G06Q 20/3563; G06Q 20/3567; G06Q 20/357; G06Q 20/3576; H05K 5/026; H05K 5/0265; H05K 5/0269; H05K 5/0273; H05K 5/0278; H05K 5/0282; H05K 5/0286; H05K 5/0291; H05K 5/0295; H05K 5/03; H05K 5/04; H05K 5/06; H05K 5/061; H05K 5/062; H05K 5/063; H05K 5/064; H05K 5/065; H05K 5/066; H05K 5/067; H05K 5/068; H05K 5/069; H05K 7/00; H05K 7/005; H05K 7/02; H05K 7/023; H05K 7/026; H05K 7/04; H05K 7/10; H05K 7/1418; H05K 7/142; H05K 7/1424; H05K 7/1427-1439; H05K 7/1461; H05K 7/1464-1474; H05K 7/1479; H05K 7/1481; H05K 7/1485-1488; H05K 2201/09745; H05K 2201/09754; H05K 2201/09763; H05K 2201/09772; H05K 2201/098; H05K 2201/09818; H05K 2201/10; H05K 2201/10007; H04N 2201/216; H04B 1/3816; H04B 1/3818; G11B 25/00; G11B 25/02; G11B 25/04; G11B 25/043; G11B 33/122-124

See application file for complete search history.

(56) **References Cited**

U.S. PATENT DOCUMENTS

4,043,448 A * 8/1977 Tanaka B65D 43/162
206/1.5
D260,762 S * 9/1981 Peroni D10/103
4,394,059 A * 7/1983 Reynolds G03G 15/6538
29/623.1
D277,415 S * 1/1985 Berger D26/46
D279,223 S * 6/1985 Tanaka D26/46
D285,128 S * 8/1986 Yuen D28/77
D306,769 S * 3/1990 Yuen D26/42
D311,067 S * 10/1990 Chabria D26/46
D311,740 S * 10/1990 Wagner D14/358
5,005,021 A * 4/1991 Kato H01Q 1/32
343/713
5,179,501 A * 1/1993 Ocken H05K 1/0278
174/254
D338,976 S * 8/1993 Miley, Jr. D26/42
D346,607 S * 5/1994 Bhargava D14/242
D357,684 S * 4/1995 Moreland D14/240
D365,529 S * 12/1995 Peroni D10/103
D368,429 S * 4/1996 Serio, Jr. D13/184
5,568,006 A * 10/1996 Luff H03H 9/1021
310/340
D398,304 S * 9/1998 Murray D14/137
5,859,766 A * 1/1999 Van Scyoc H01R 13/6215
361/737
D409,975 S * 5/1999 Zeller D13/103
D412,705 S * 8/1999 Laiacona D14/172
D424,026 S * 5/2000 Kabat D13/184
D425,068 S * 5/2000 Melin D14/230
D425,642 S * 5/2000 Zeller D26/44
D427,978 S * 7/2000 Kabat D13/184
D449,733 S * 10/2001 Jacober D3/203.2
D460,665 S * 7/2002 Lillelund D7/629
D464,036 S * 10/2002 Matsuoka D14/171
D467,373 S * 12/2002 Lee
D485,627 S * 1/2004 Chun D26/37
D491,166 S * 6/2004 Hakoda D14/214
D493,617 S * 8/2004 Armato
7,004,780 B1 * 2/2006 Wang H01R 13/60
361/752

D516,556 S * 3/2006 Graziano D14/359
D520,997 S * 5/2006 Lee D14/356
7,095,617 B1 * 8/2006 Ni H05K 5/0278
361/736
D530,323 S * 10/2006 Hsu D14/348
7,120,014 B2 * 10/2006 Yang G11B 33/122
361/679.32
D538,260 S * 3/2007 Wada D14/188
D540,123 S * 4/2007 George D7/602
7,203,061 B1 * 4/2007 Chen G11B 33/123
312/223.2
D546,175 S * 7/2007 Sainz D9/420
D556,804 S * 12/2007 Ishida D16/202
D563,954 S * 3/2008 Buchanon D14/480.7
D565,571 S * 4/2008 Trifilio D14/356
7,405,928 B2 * 7/2008 Robertson G11B 33/08
361/679.33
D575,729 S * 8/2008 Nomi D13/107
D577,019 S * 9/2008 Udagawa D14/435.1
D577,993 S * 10/2008 Zanaletti D9/424
D580,852 S * 11/2008 Heinzen D13/103
D581,943 S * 12/2008 Pedersen D14/150
D583,358 S * 12/2008 Joseph D10/2
D585,077 S * 1/2009 Sheba D14/434
D585,367 S * 1/2009 Dunbar D13/108
D587,209 S * 2/2009 Tsai D13/147
D587,244 S * 2/2009 Lim D14/214
D587,266 S * 2/2009 Deguchi D14/480.7
D591,233 S * 4/2009 Kagami D13/108
D592,131 S * 5/2009 Heinzen D13/103
D592,677 S * 5/2009 Sheba D14/434
D595,223 S * 6/2009 Yamamoto D13/108
D597,090 S * 7/2009 Bemelmans D14/341
D597,690 S * 8/2009 Yamamoto D26/37
D602,186 S * 10/2009 Lee D26/37
D604,435 S * 11/2009 Kingston D26/37
D605,625 S * 12/2009 Skurdal D14/171
D612,329 S * 3/2010 Guccione D13/108
D620,018 S * 7/2010 Nan D14/480.7
7,782,268 B2 * 8/2010 Carroll H01Q 23/00
343/758
D624,923 S * 10/2010 Lu D14/480.5
D627,356 S * 11/2010 Kao D14/435.1
D631,010 S * 1/2011 Smith D13/108
D631,825 S * 2/2011 Onnerud D13/103
D631,826 S * 2/2011 Onnerud D13/103
D631,827 S * 2/2011 Onnerud D13/103
D631,828 S * 2/2011 Onnerud D13/103
D631,829 S * 2/2011 Onnerud D13/103
D631,830 S * 2/2011 Onnerud D13/103
D631,833 S * 2/2011 Onnerud D13/103
D631,883 S * 2/2011 Maier D14/435.1
D631,885 S * 2/2011 Maier D14/435.1
D632,643 S * 2/2011 Tanaka D13/103
D634,326 S * 3/2011 Gehrke D14/435.1
D636,257 S * 4/2011 Bougoulas D9/420
D639,276 S * 6/2011 Loh D14/218
D640,650 S * 6/2011 Luo D14/125
D643,807 S * 8/2011 Jiang D13/103
D645,817 S * 9/2011 Sasada D13/108
D645,841 S * 9/2011 Joseph D14/171
D654,020 S * 2/2012 Au D13/108
D654,850 S * 2/2012 Obata D13/103
D656,924 S * 4/2012 Mehlsen D14/226
D660,284 S * 5/2012 Carbone D14/214
D660,787 S * 5/2012 Lambert D13/103
D660,788 S * 5/2012 Ziring D13/103
D665,340 S * 8/2012 Obata D13/103
D665,348 S * 8/2012 Ledbetter D13/110
D665,734 S * 8/2012 Fitch D13/107
D666,660 S * 9/2012 Amit D16/203
D669,777 S * 10/2012 Brown D9/424
D669,899 S * 10/2012 Cheng D14/435.1
D670,712 S * 11/2012 Bolotin D14/480.5
D673,908 S * 1/2013 Koch D13/108
D677,623 S * 3/2013 Fitch D13/108
D678,191 S * 3/2013 Fitch D13/108
D679,180 S * 4/2013 Logue D9/432
D679,711 S * 4/2013 Perry D14/434

(56)

References Cited

U.S. PATENT DOCUMENTS

D680,536 S *	4/2013	Tzeng	D14/358	D779,933 S *	2/2017	Hendricks	D9/424
D681,009 S *	4/2013	Meng	D14/214	D780,116 S *	2/2017	Bing	D13/107
D681,551 S *	5/2013	Zaslavsky	D13/110	D781,812 S *	3/2017	Cho	D14/204
D682,201 S *	5/2013	Weaver, Jr.	D13/108	D782,444 S *	3/2017	Koo	D14/214
D682,202 S *	5/2013	Weaver, Jr.	D13/108	D785,596 S *	5/2017	Lewis	D14/214
D682,449 S *	5/2013	Scazziga	D26/37	D788,389 S *	5/2017	Kim	D32/29
D685,382 S *	7/2013	Anderson	D14/480.5	D790,464 S *	6/2017	He	D13/110
D685,383 S *	7/2013	Anderson	D14/480.5	D790,539 S *	6/2017	Lee	D14/240
D687,023 S *	7/2013	Jung	D14/242	D791,077 S *	7/2017	Tsou	D13/108
D688,231 S *	8/2013	Nishii	D14/214	D791,105 S *	7/2017	Weber	D14/218
D690,287 S *	9/2013	Belfanti	D14/214	D797,043 S *	9/2017	Akana	D13/103
8,541,985 B1 *	9/2013	Wong	G06F 1/1632 320/140	D798,882 S *	10/2017	Kurata	D14/480.7
D692,903 S *	11/2013	Lin	D14/480.7	D800,693 S *	10/2017	Sugiura	D14/214
D696,078 S *	12/2013	Allen	D7/629	D801,344 S *	10/2017	Zurschmiede	D14/447
D699,594 S *	2/2014	Bechyne	B65D 15/00 D9/734	D801,505 S *	10/2017	Yin	D23/364
D702,246 S *	4/2014	Hoffart	D14/480.1	D803,188 S *	11/2017	Ashcraft	D14/214
D702,631 S *	4/2014	Esses	D13/108	D805,046 S *	12/2017	Lahiri	D14/125
D704,630 S *	5/2014	Liu	D13/108	D805,470 S *	12/2017	Qiu	D13/103
D705,719 S *	5/2014	Wong	D13/103	D807,286 S *	1/2018	Qiu	D13/103
D705,724 S *	5/2014	Yu	D13/108	D810,059 S *	2/2018	Weber	D14/230
D706,787 S *	6/2014	Emami	D14/480.7	D812,000 S *	3/2018	Li	D13/108
D708,129 S *	7/2014	Houghton	D13/103	D815,057 S *	4/2018	Holzer	D14/171
D708,134 S *	7/2014	Druker	D13/110	D816,607 S *	5/2018	Roberts	D13/108
D709,365 S *	7/2014	Graindorge	D9/432	D817,269 S *	5/2018	Sukphist	D13/108
D709,507 S *	7/2014	McParland	D14/435	D817,308 S *	5/2018	Sugiura	D14/214
8,773,411 B2 *	7/2014	van Lieshout	G06F 1/1601 345/204	D817,961 S *	5/2018	Han	D14/426
D711,820 S *	8/2014	Zeng	D13/103	D818,946 S *	5/2018	Liu	D13/103
D711,821 S *	8/2014	Wang	D13/103	D820,213 S *	6/2018	Wang	D13/138.1
D711,891 S *	8/2014	Emami	D14/480.5	D821,867 S *	7/2018	Oligschlaeger	D9/422
D715,257 S *	10/2014	Son	D14/214	D821,972 S *	7/2018	Wei	D13/108
D715,259 S *	10/2014	Han	D14/214	D823,245 S *	7/2018	Ng	D13/108
D715,761 S *	10/2014	Kim	D14/188	D826,207 S *	8/2018	Kim	D14/204
D715,768 S *	10/2014	Ryu	D14/211	D826,846 S *	8/2018	Greiner	D13/103
D716,729 S *	11/2014	Kelly	D13/110	D826,854 S *	8/2018	Roberts	D13/108
D718,335 S *	11/2014	Lee	D14/203.1	D827,569 S *	9/2018	Roberts	D13/108
D719,976 S *	12/2014	Bang	D14/203.1	D827,584 S *	9/2018	Neilson	D13/162
D721,352 S *	1/2015	Kusano	D14/204	D827,594 S *	9/2018	Shim	D13/184
D722,018 S *	2/2015	Wang	D13/103	D827,610 S *	9/2018	Kim	D14/214
D723,462 S *	3/2015	Druker	D13/108	D827,649 S *	9/2018	Shim	D14/435.1
D724,080 S *	3/2015	Lin	D14/356	D828,295 S *	9/2018	Li	D13/108
D729,768 S *	5/2015	Park	D14/214	D829,184 S *	9/2018	Kang	D13/184
D731,687 S *	6/2015	Haws	D26/46	10,076,139 B2 *	9/2018	Monsees	A24F 47/008
D733,051 S *	6/2015	Wang	D13/103	D831,567 S *	10/2018	Kim	D13/108
D736,150 S *	8/2015	Liu	D13/108	D832,277 S *	10/2018	Shim	D14/480.5
D737,201 S *	8/2015	Liu	D13/108	10,104,915 B2 *	10/2018	Bowen	A61M 11/06
D737,506 S *	8/2015	Liu	D27/189	10,111,470 B2 *	10/2018	Monsees	H05B 3/04
D742,855 S *	11/2015	Carbone	D14/214	D833,415 S *	11/2018	Kitazawa	D14/204
D745,488 S *	12/2015	Lee	D14/204	D834,516 S *	11/2018	Jin	D13/108
D749,279 S *	2/2016	Garvey	D30/199	D835,857 S *	12/2018	Benacquisto	D30/158
D749,510 S *	2/2016	Liu	D13/108	D836,082 S *	12/2018	McManigal	D14/204
D753,090 S *	4/2016	Langhammer	D14/203.3	D836,604 S *	12/2018	Kim	D14/214
D753,129 S *	4/2016	Ozolins	D14/484.1	D837,733 S *	1/2019	Bai	D13/108
D754,377 S *	4/2016	Nook	D26/37	D840,078 S *	2/2019	Marshall	D26/60
D756,915 S *	5/2016	Yang	D13/108	D842,271 S *	3/2019	Kusano	D14/214
D757,001 S *	5/2016	Kim	D14/138 R	D844,628 S *	4/2019	Brine	D14/474
D757,734 S *	5/2016	Emami	D14/480.7	D844,629 S *	4/2019	Brine	D14/474
D759,624 S *	6/2016	Byrd	D14/204	D845,925 S *	4/2019	Bellinghausen	D14/204
D759,629 S *	6/2016	Kusano	D14/214	D847,813 S *	5/2019	Jun	D14/356
D760,684 S *	7/2016	Green	D14/204	D848,418 S *	5/2019	Jun	D14/356
D763,185 S *	8/2016	Wen	D13/103	D848,832 S *	5/2019	Blomberg	D9/420
D766,824 S *	9/2016	Li	D13/110	2001/0054983 A1 *	12/2001	Judd	H01Q 1/246 343/810
D766,866 S *	9/2016	Cho	D14/167	2005/0041387 A1 *	2/2005	Lee	G06F 1/16 361/679.33
D766,873 S *	9/2016	Washio	D14/214	2006/0056103 A1 *	3/2006	Hamming	G06F 1/187 360/99.13
D768,068 S *	10/2016	Chen	D13/103	2007/0229025 A1 *	10/2007	Tsai	H01R 13/2442 320/111
D768,920 S *	10/2016	Jones	D27/189	2009/0021798 A1 *	1/2009	Abahri	H04N 1/195 358/474
D769,185 S *	10/2016	Lee	D13/108	2009/0272811 A1 *	11/2009	An	G06K 7/10891 235/462.44
D770,376 S *	11/2016	Baum	D13/103	2013/0114201 A1 *	5/2013	Huang	G06F 1/1613 361/679.32
D771,561 S *	11/2016	Walker	D13/103	2013/0265709 A1 *	10/2013	Huang	H05K 5/0278 361/679.32
D772,805 S *	11/2016	Obrist	D13/103	2015/0148686 A1 *	5/2015	Baym	A61B 5/445 600/476
D772,809 S *	11/2016	Walker	D13/103				
D773,429 S *	12/2016	Holzer	D14/171				
D774,902 S *	12/2016	Hendricks	D9/424				

(56)

References Cited

U.S. PATENT DOCUMENTS

2015/0155726 A1* 6/2015 Duan H01H 13/50
320/113
2017/0119044 A1* 5/2017 Oligschlaeger A24F 15/00
2018/0066792 A1* 3/2018 Chen F16M 11/04

* cited by examiner

FIG. 1

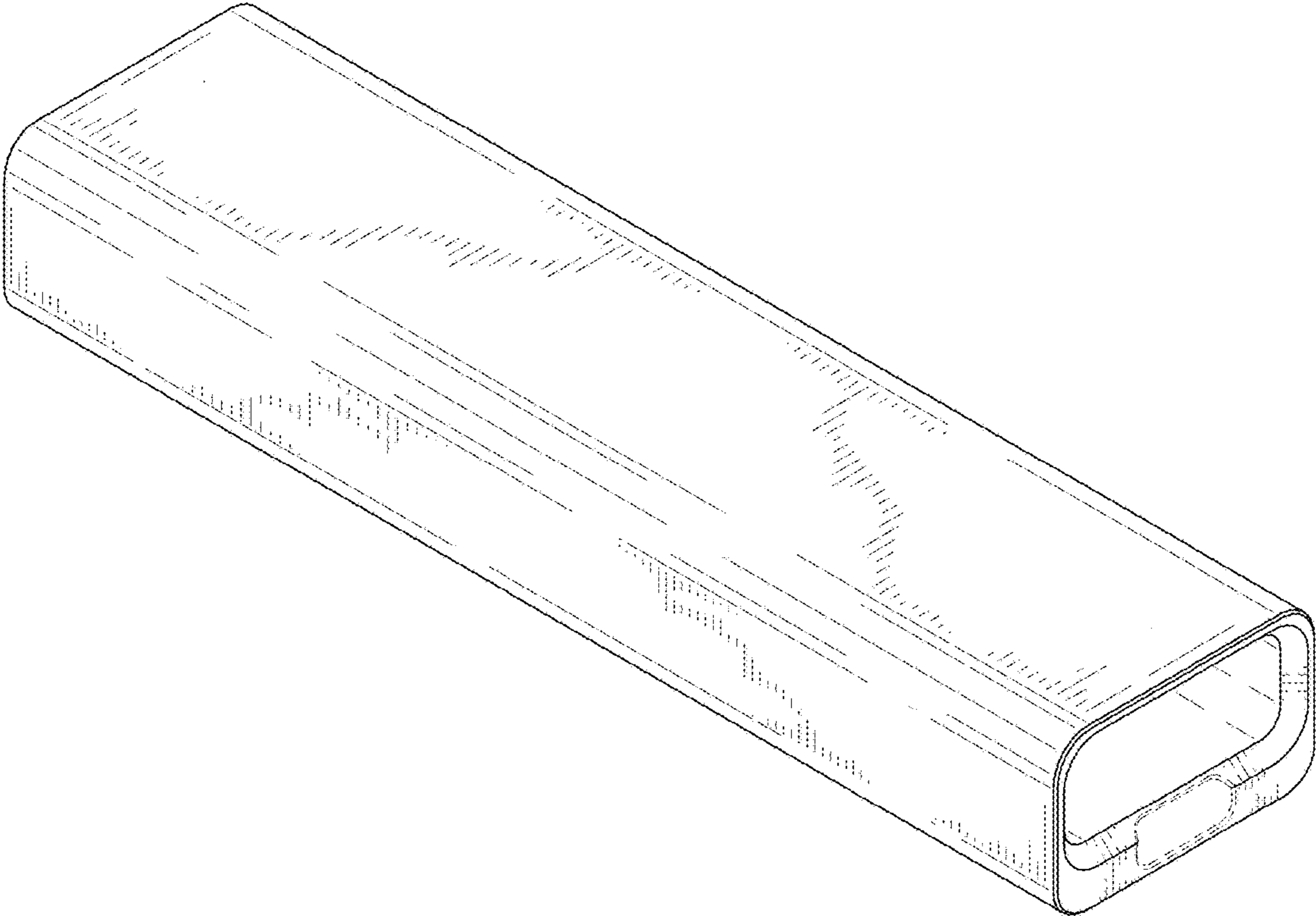


FIG. 2

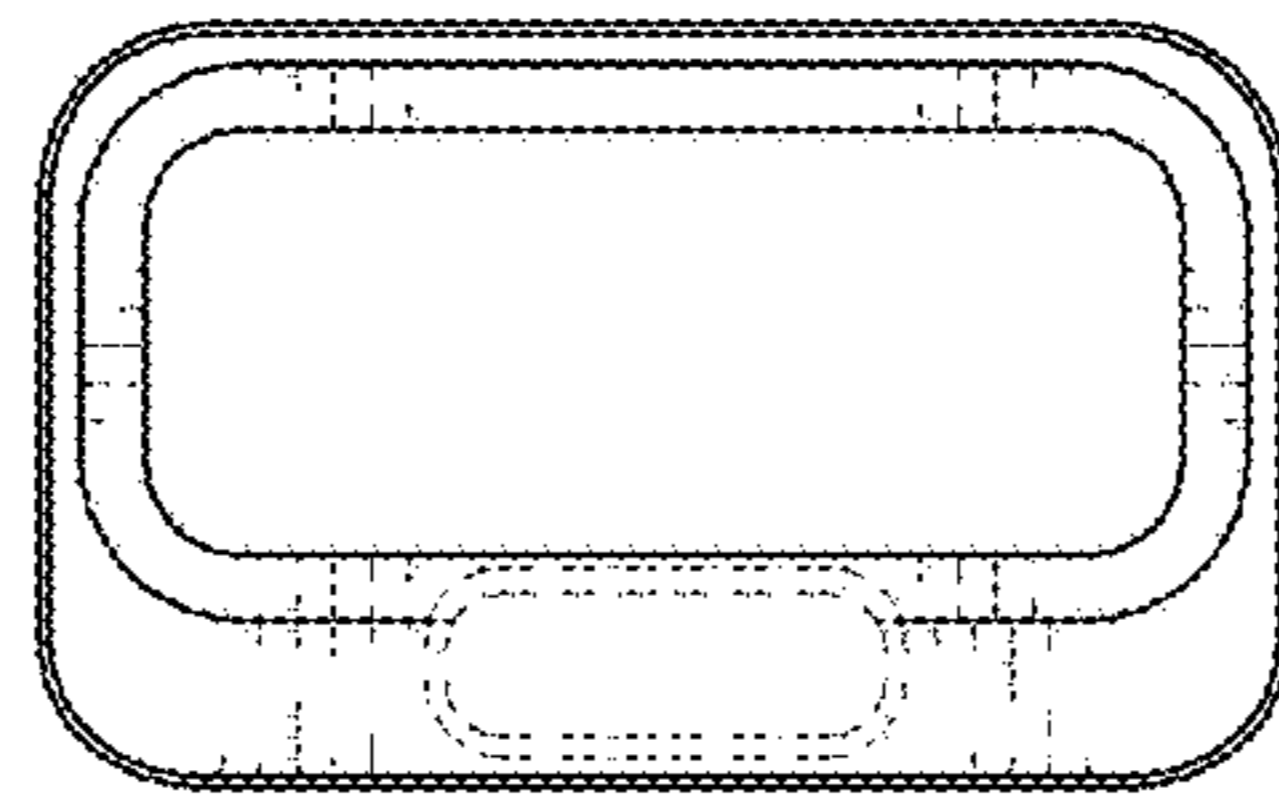


FIG. 3

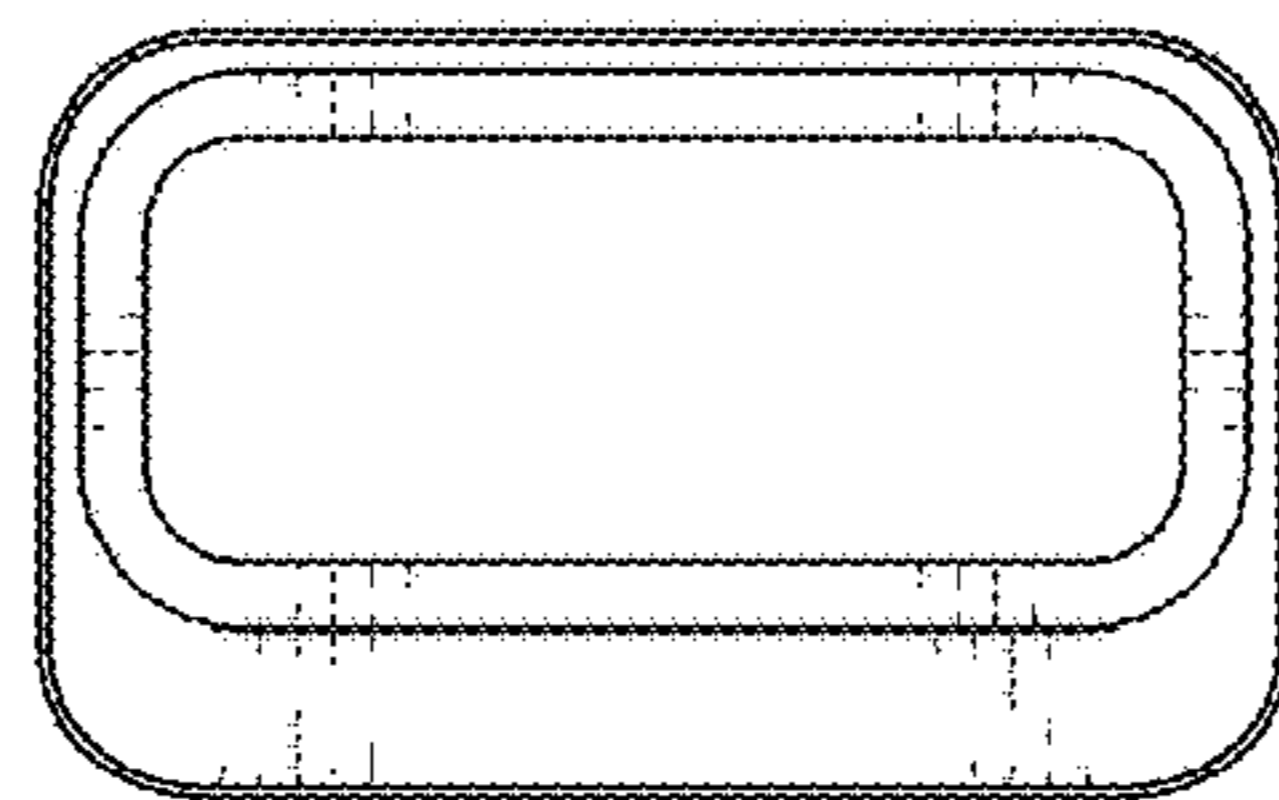


FIG. 4

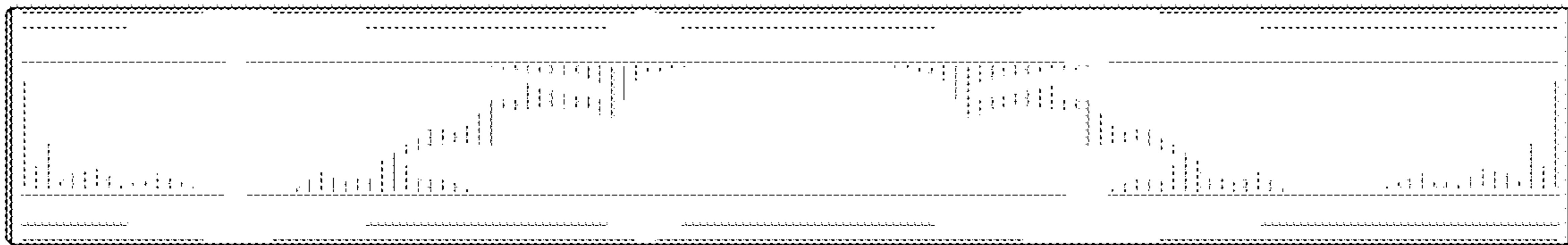


FIG. 5

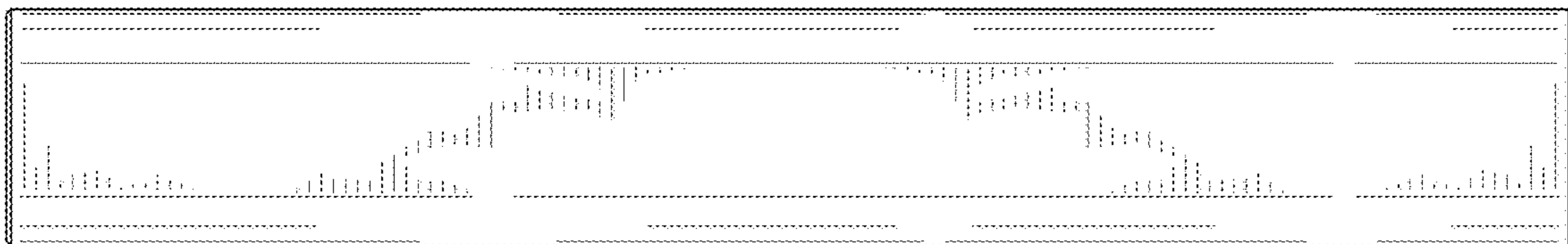


FIG. 6

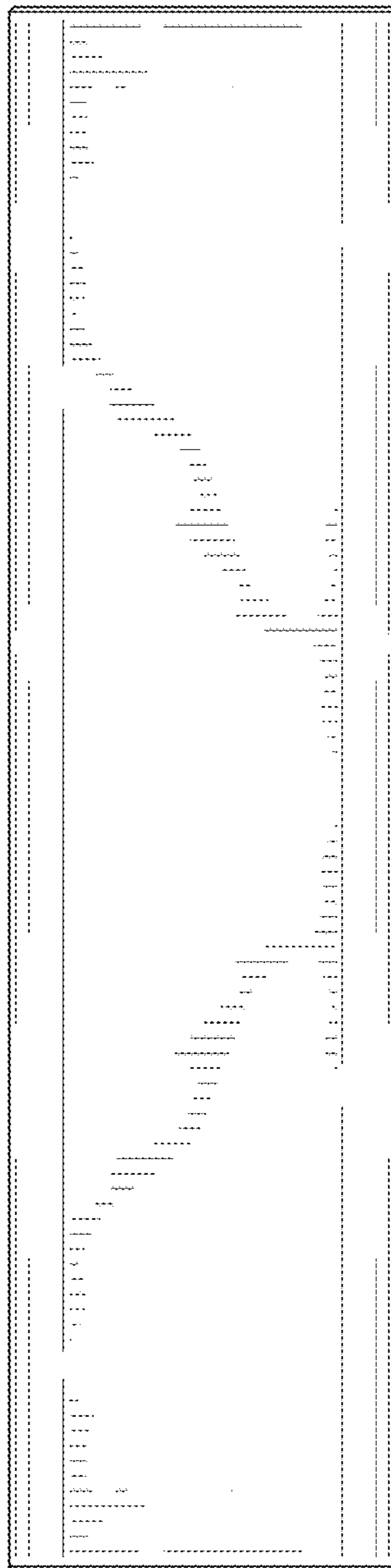


FIG. 7

