



US00D866557S

(12) **United States Design Patent** (10) **Patent No.:** **US D866,557 S**
Xiong (45) **Date of Patent:** **** Nov. 12, 2019**

(54) **ADAPTER**

(71) Applicant: **Weichang Xiong**, Longyan (CN)

(72) Inventor: **Weichang Xiong**, Longyan (CN)

(**) Term: **15 Years**

(21) Appl. No.: **29/696,861**

(22) Filed: **Jul. 2, 2019**

(51) **LOC (12) Cl.** **14-02**

(52) **U.S. Cl.**
USPC **D14/433**

(58) **Field of Classification Search**
USPC D18/4.4, 4.5, 4.6, 12, 12.1, 12.3;
D14/383, 384, 385, 386, 378
CPC G06K 19/07749; G06K 19/0723; G06K
19/041; G06K 19/07758; G06K 19/0775;
G06K 19/07783; G06K 19/07794; G06K
19/06046; G06K 19/07722; G06K
19/07773; G06K 19/07779; G06K
19/07784; G06K 19/07786; G06K
19/0709

See application file for complete search history.

(56) **References Cited**

U.S. PATENT DOCUMENTS

D689,858 S *	9/2013	Lo	D14/357
D709,892 S *	7/2014	Lui	D14/433
D750,083 S *	2/2016	Chow	D14/434
D788,112 S	5/2017	Liao		
D798,811 S *	10/2017	Liao	D13/110
D800,730 S *	10/2017	Liao	D14/433
D807,290 S *	1/2018	Liao	D13/110
D813,875 S *	3/2018	Liao	D14/434
D824,328 S *	7/2018	Liu	D13/108
D828,355 S *	9/2018	Xie	D14/433
D828,839 S *	9/2018	Zhang	D14/433
D828,840 S	9/2018	Zhang		
D828,841 S *	9/2018	Zhang	D14/433
D830,366 S *	10/2018	Turksu	D14/433

D838,241 S *	1/2019	Xie	D13/108
D839,876 S *	2/2019	Turksu	D14/435.1
D847,139 S	4/2019	Wang		
D854,019 S *	7/2019	Liao	D14/434
D854,020 S *	7/2019	Liao	D14/434
D854,544 S *	7/2019	Liao	D14/434
D855,054 S *	7/2019	Turksu	D14/433
2006/0085584 A1 *	4/2006	Chen	G06F 1/1632 710/303

OTHER PUBLICATIONS

Live Tech UH01 7PORT USB Hub, <https://www.priyacomputers.in/products/computer-accessories-accessories-card-readerusb-hub/live-tech/live-tech-uh01-7-port-usb-hub/pid-9965278.aspx>.
Aluminum Type-C Pro Hub Adapter, <https://satechi.net/products/aluminum-type-c-pro-hub-adapter-for-2016-macbook-pro-13-and-15-40gbs-thunderbolt-3-4k-hdmi-pass-through-charging-sd-micro-card-reader-and-2-usb-3-0-ports?refSrc=10403078921&nosto=productpage-nosto-3>.

* cited by examiner

Primary Examiner — Austin Murphy
(74) *Attorney, Agent, or Firm* — Wayne V. Harper

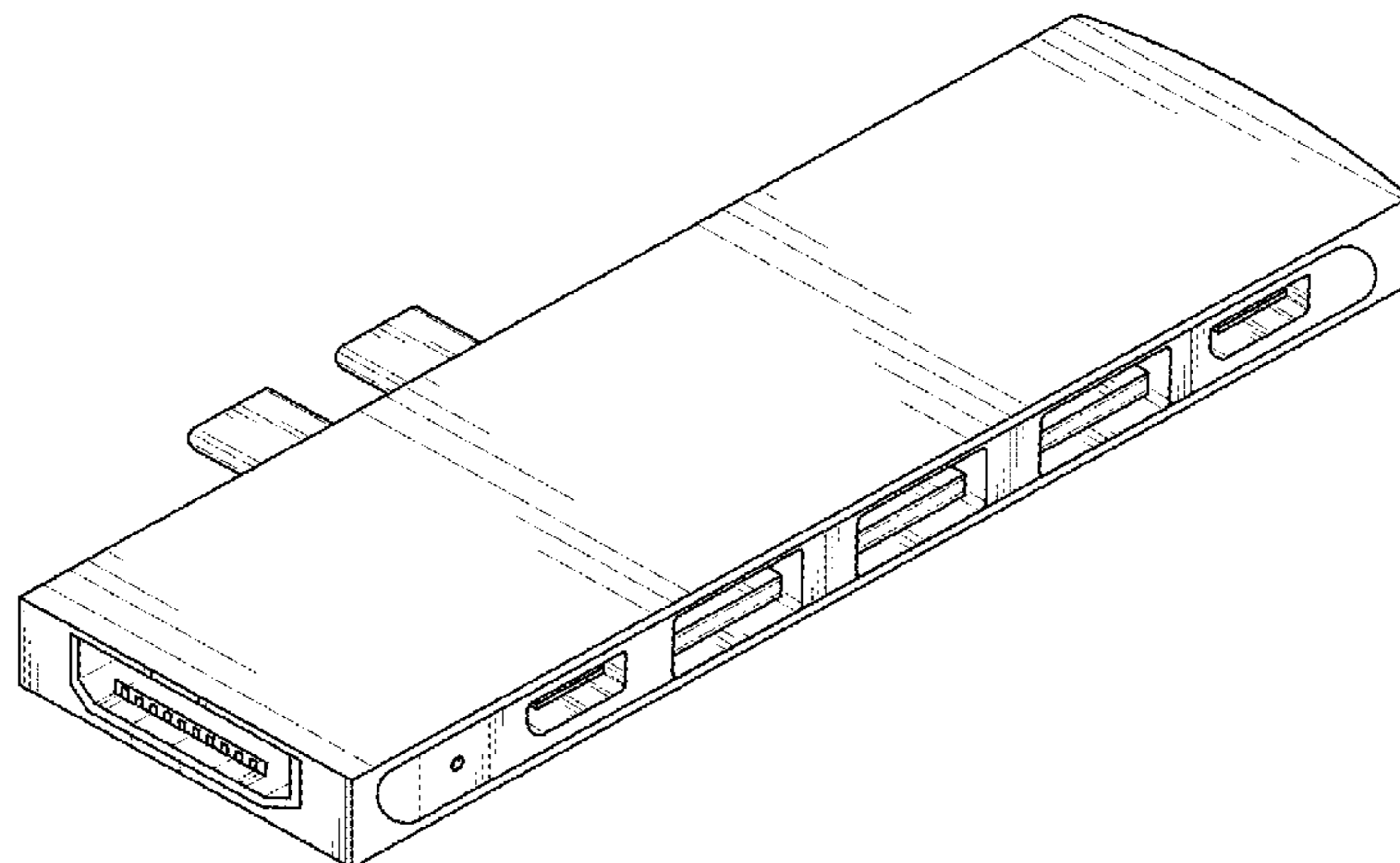
(57) **CLAIM**

I claim the ornamental design for an adapter, as shown and described.

DESCRIPTION

FIG. 1 is a Perspective view of a adapter showing my new design;
FIG. 2 is a Front view of the adapter as shown in FIG. 1;
FIG. 3 is a Back view of the adapter as shown in FIG. 1;
FIG. 4 is a Top view of the adapter as shown in FIG. 1;
FIG. 5 is a Bottom view of the adapter as shown in FIG. 1;
FIG. 6 is a Right-side view of the adapter as shown in FIG. 1; and,
FIG. 7 is a Left-side view of the adapter as shown in FIG. 1.

1 Claim, 4 Drawing Sheets



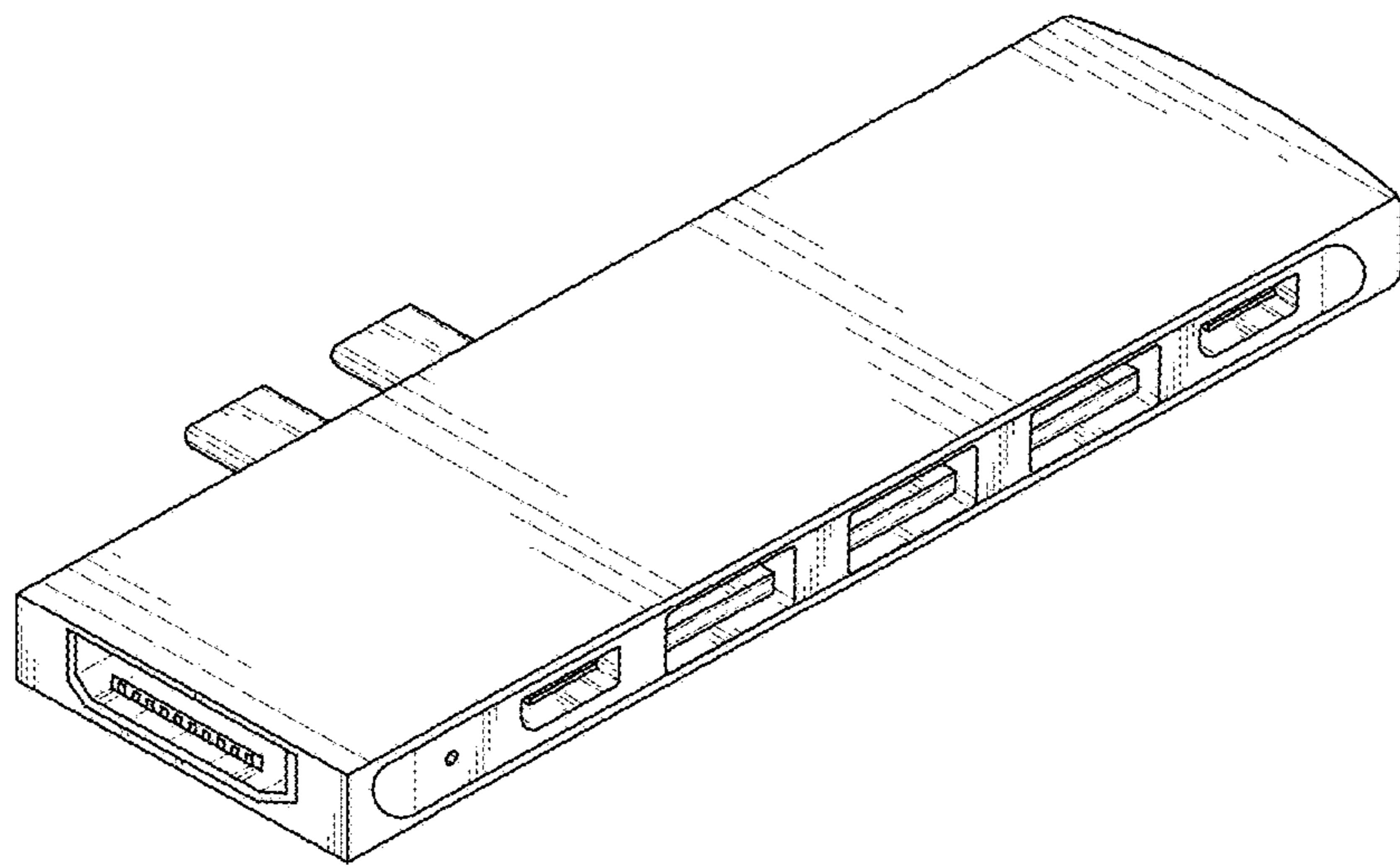


FIG. 1



FIG. 2

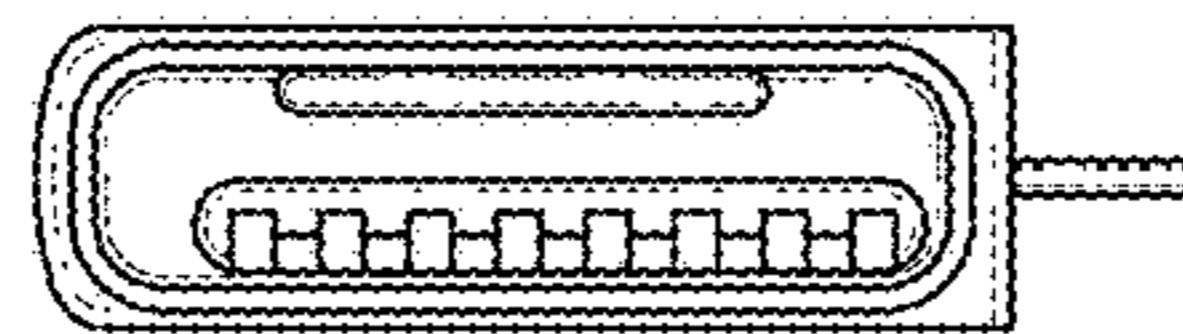


FIG. 3

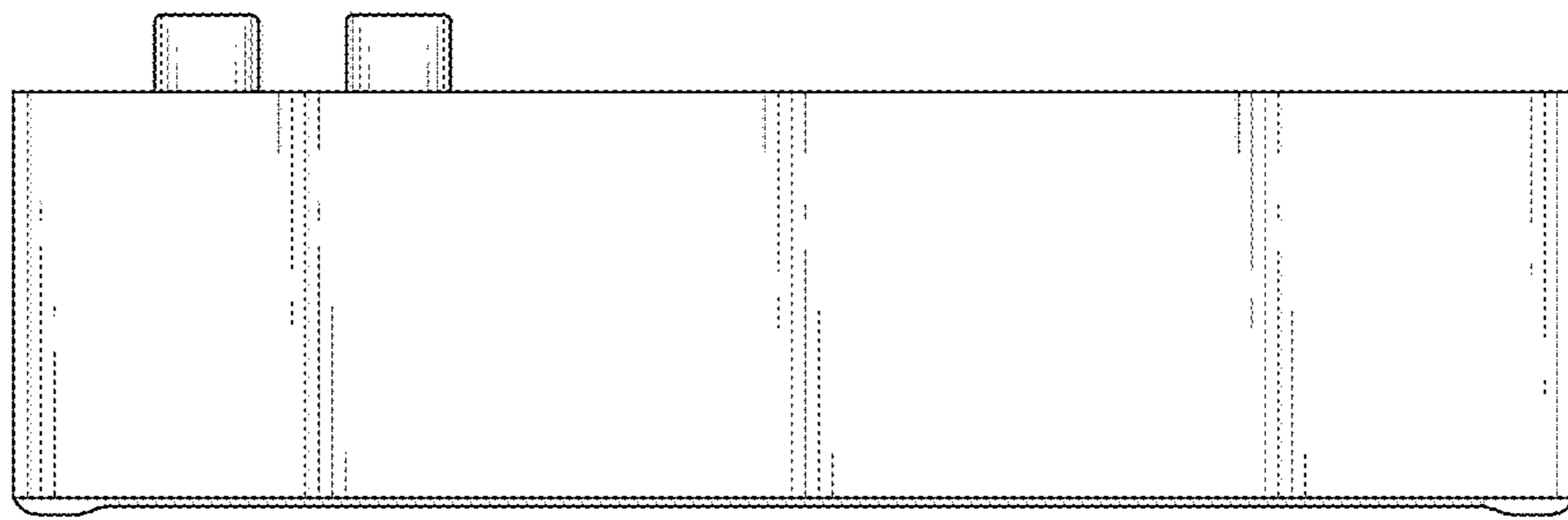


FIG. 4

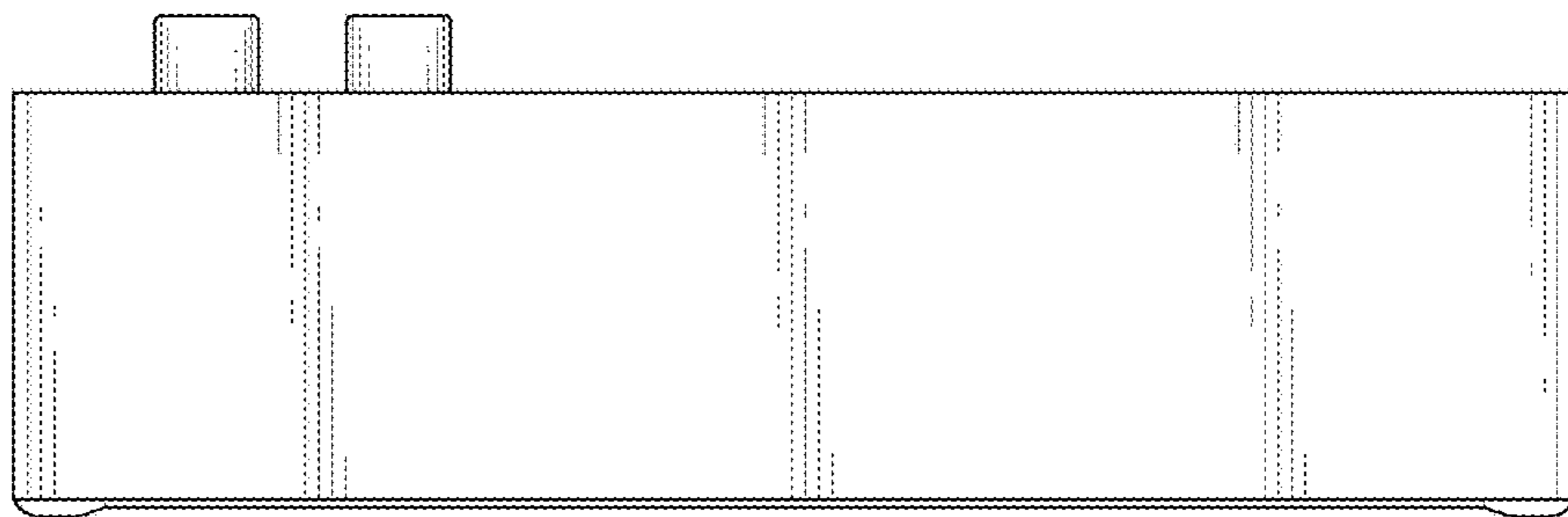


FIG. 5

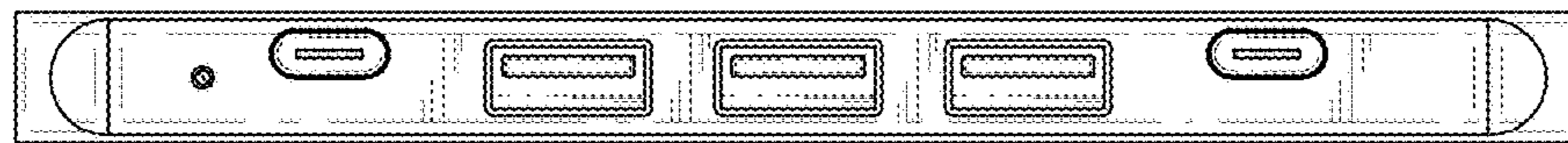


FIG. 6



FIG. 7