



US00D866556S

(12) **United States Design Patent**  
**Bessmertnyy**

(10) **Patent No.:** **US D866,556 S**

(45) **Date of Patent:** **\*\* Nov. 12, 2019**

(54) **USB CONNECTOR FOR RACKS, SECTIONS, AND PANEL DEVICES, APPLICABLE TO STANDARDS OF USB2.0 / USB3.0, TYPE A**

(71) Applicant: **Vladimir Bessmertnyy**, Moscow (RU)

(72) Inventor: **Vladimir Bessmertnyy**, Moscow (RU)

(73) Assignee: **Vladimir Bessmertnyy**, Moscow (RU)

(\*\*) Term: **15 Years**

(21) Appl. No.: **29/642,141**

(22) Filed: **Mar. 28, 2018**

(51) **LOC (12) Cl.** ..... **14-02**

(52) **U.S. Cl.**  
USPC ..... **D14/433**

(58) **Field of Classification Search**  
USPC .... D14/356, 432-434, 453, 454, 511, 203.8,  
D14/209.1, 238.1, 240, 125; 439/638,  
439/928, 105, 502; 710/303, 304;  
361/679.41, 679.55, 679.56; D13/110,  
D13/133, 146  
CPC ... H04L 12/2832; H04L 12/2838; G06F 3/00;  
G06F 5/00; G06F 13/14  
See application file for complete search history.

(56) **References Cited**

**U.S. PATENT DOCUMENTS**

D688,248 S \* 8/2013 Tsuda ..... D14/433  
D702,242 S \* 4/2014 Tsuda ..... D14/433

D732,041 S \* 6/2015 Conn ..... D14/433  
D768,585 S \* 10/2016 Moore ..... D13/184  
D768,636 S \* 10/2016 Sato ..... D14/433  
D819,631 S \* 6/2018 Matsumiya ..... D14/357  
10,008,796 B1 \* 6/2018 Wang ..... H01R 12/721  
D835,109 S \* 12/2018 Chen ..... D14/433  
D846,548 S \* 4/2019 Wilson ..... D14/433  
D850,450 S \* 6/2019 Green ..... D14/433  
D851,091 S \* 6/2019 Lin ..... D14/433  
D852,796 S \* 7/2019 Liu ..... D14/433

\* cited by examiner

*Primary Examiner* — Austin Murphy

(74) *Attorney, Agent, or Firm* — Soroker Agmon Nordman

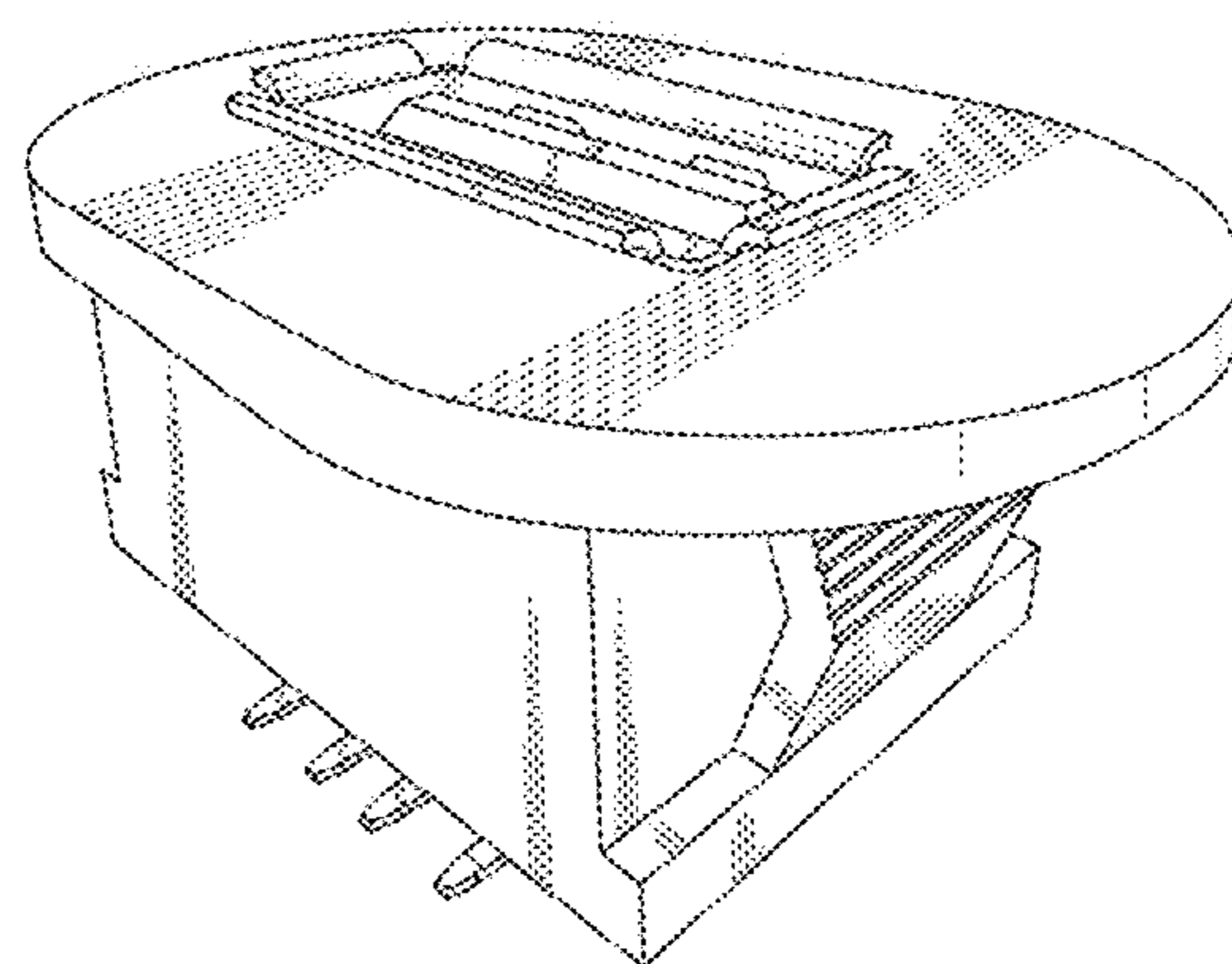
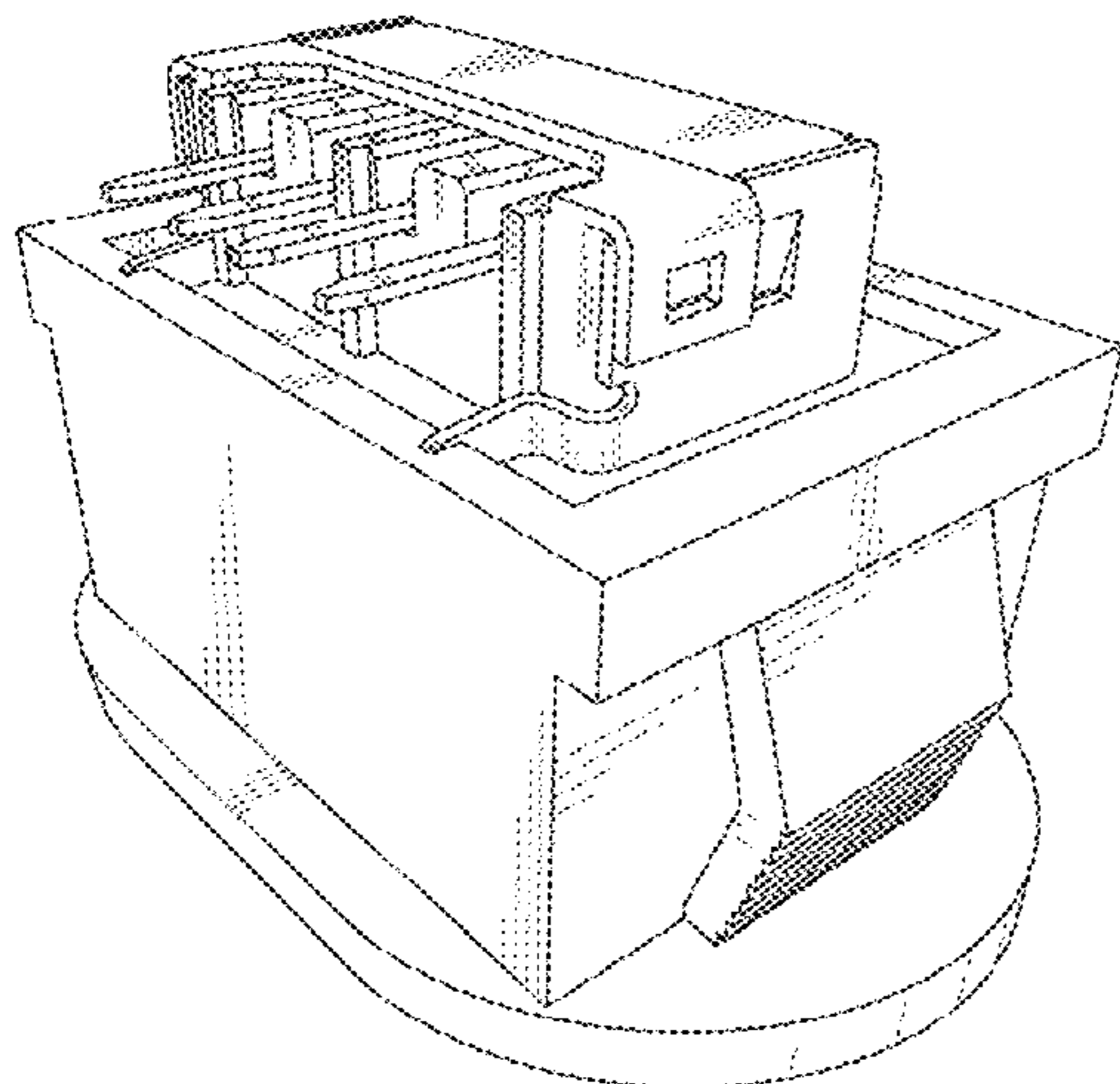
(57) **CLAIM**

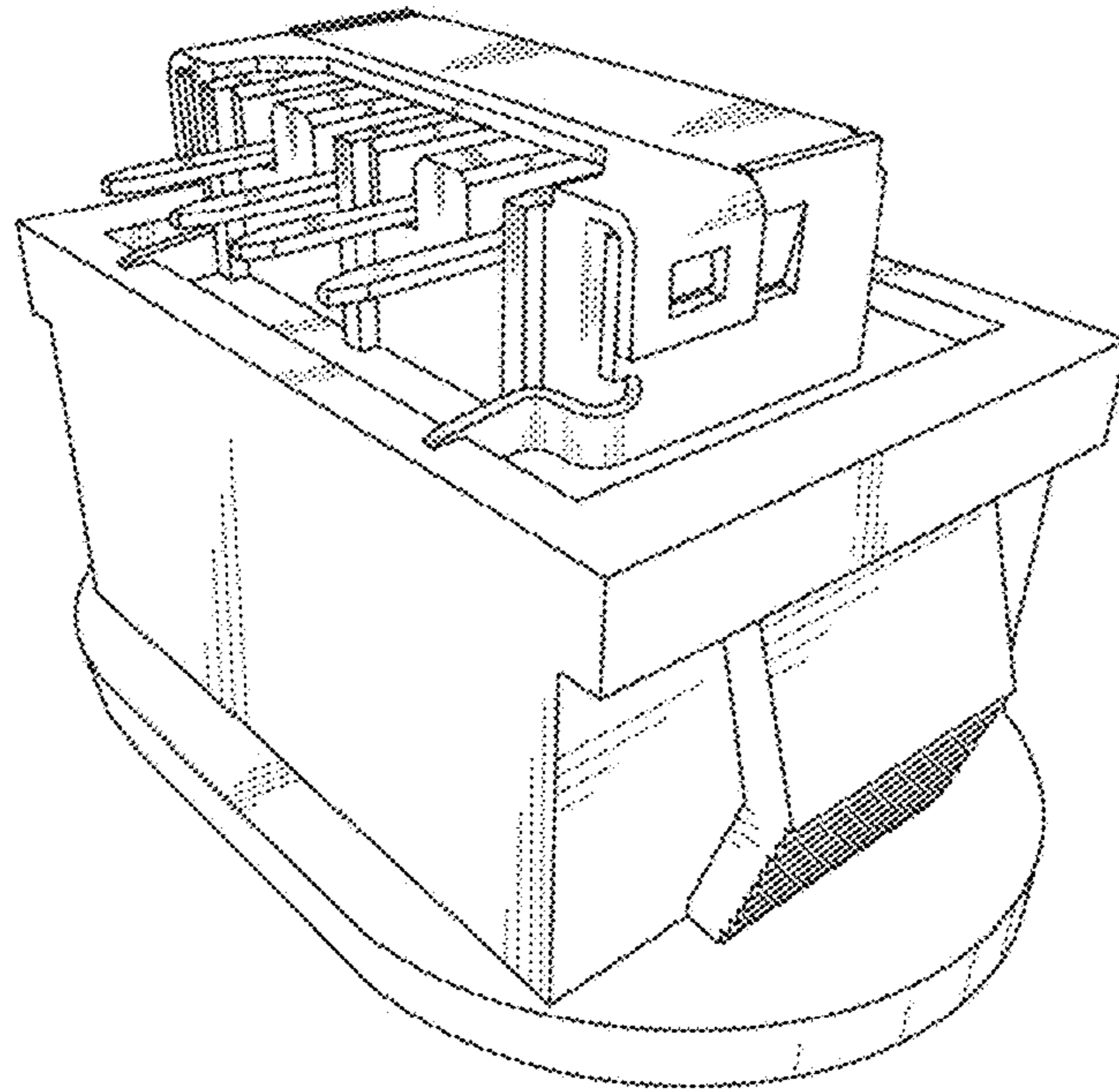
The ornamental design for a USB connector for racks, sections and panel devices, applicable to standards of USB2.0 / USB3.0, type A, as shown and described.

**DESCRIPTION**

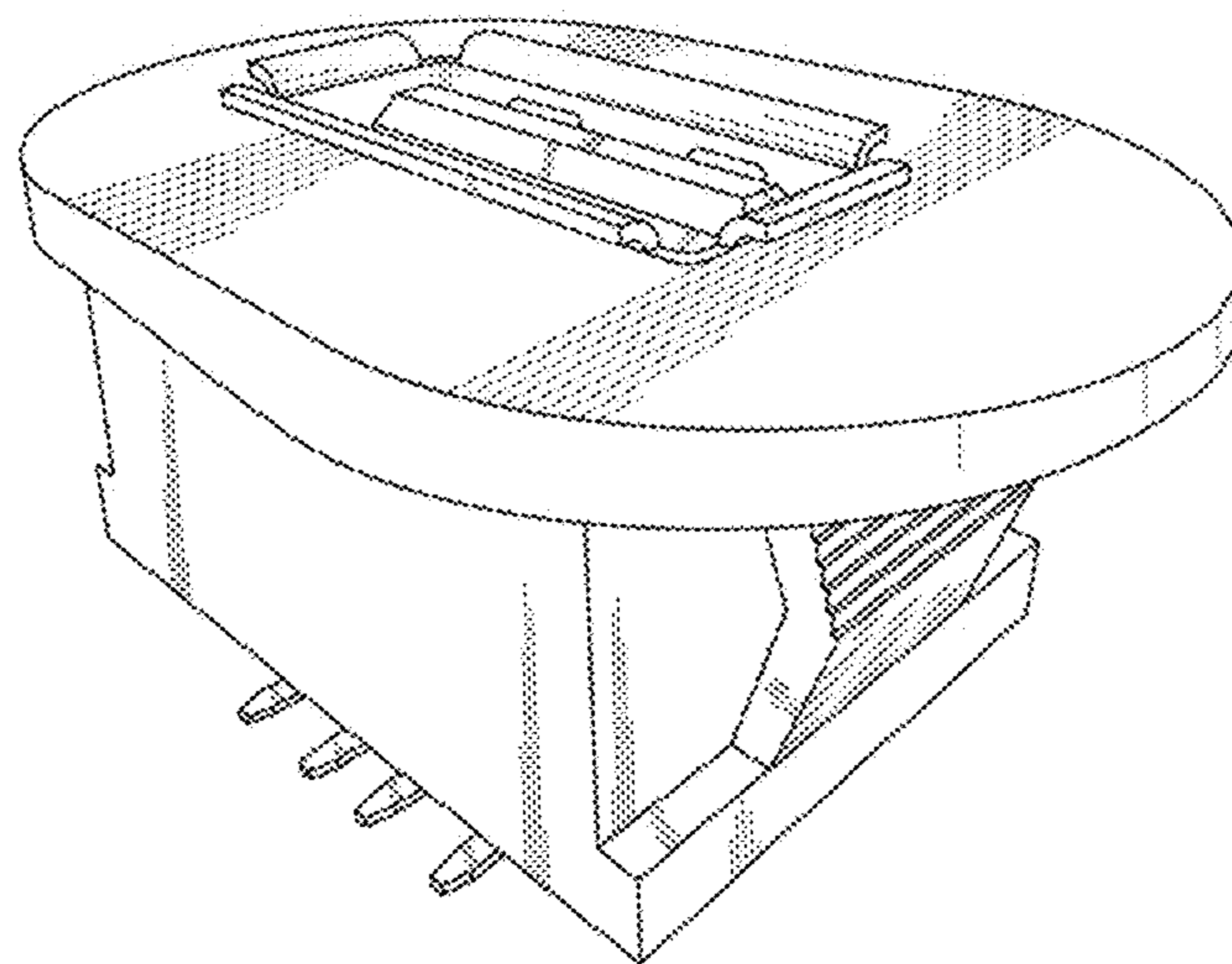
FIG. 1 is a bottom perspective view of a USB connector for racks, sections and panel devices, applicable to standards of USB2.0 / USB3.0, type A, showing my new design;  
FIG. 2 is a top perspective view thereof;  
FIG. 3 is a rear view thereof;  
FIG. 4 is a front view thereof;  
FIG. 5 is a left side view thereof. The right side view is a mirror image of the left side view thereof;  
FIG. 6 is a bottom plan view thereof; and,  
FIG. 7 is a top plan view thereof.

**1 Claim, 4 Drawing Sheets**





*FIG. 1*



*FIG. 2*

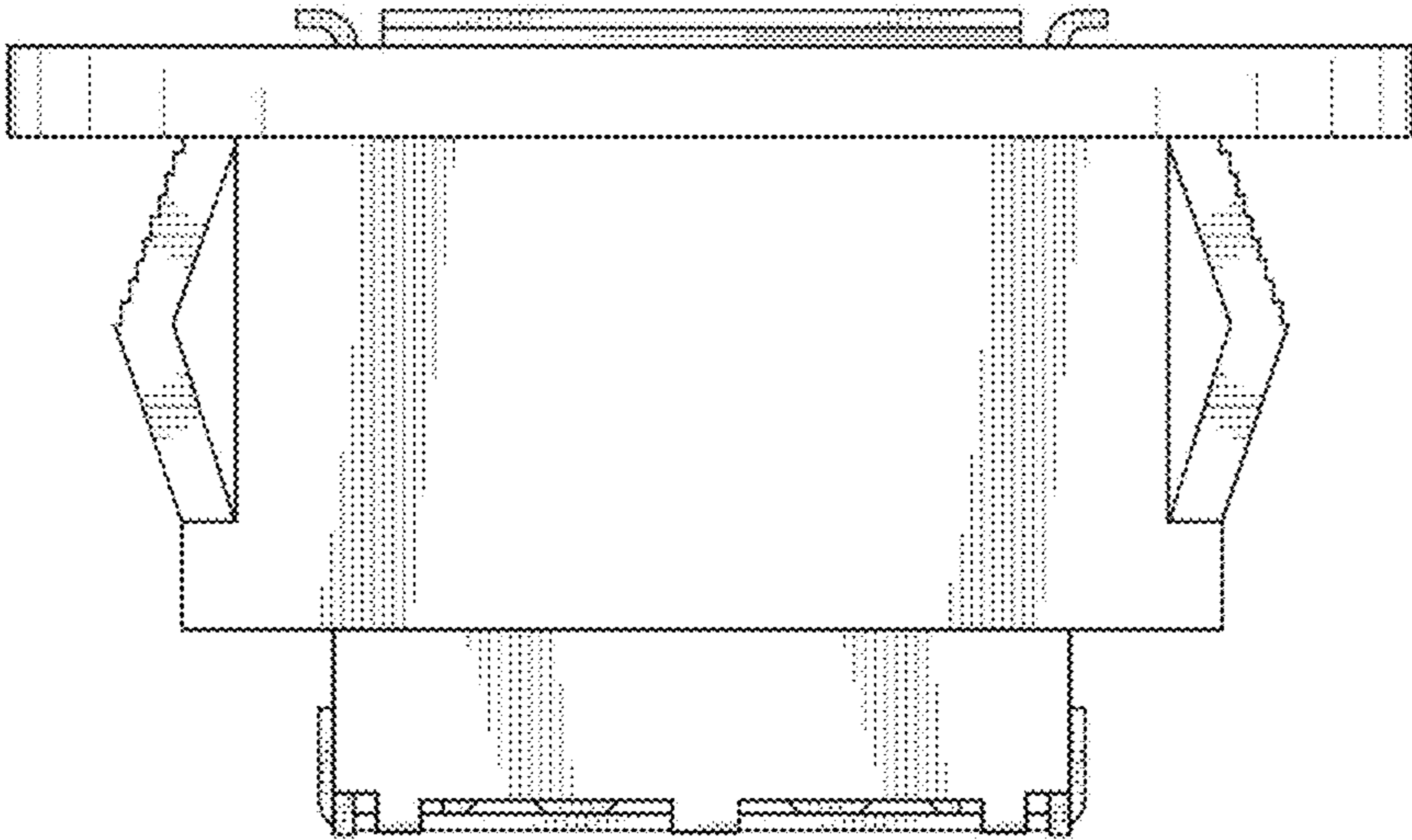


FIG. 3

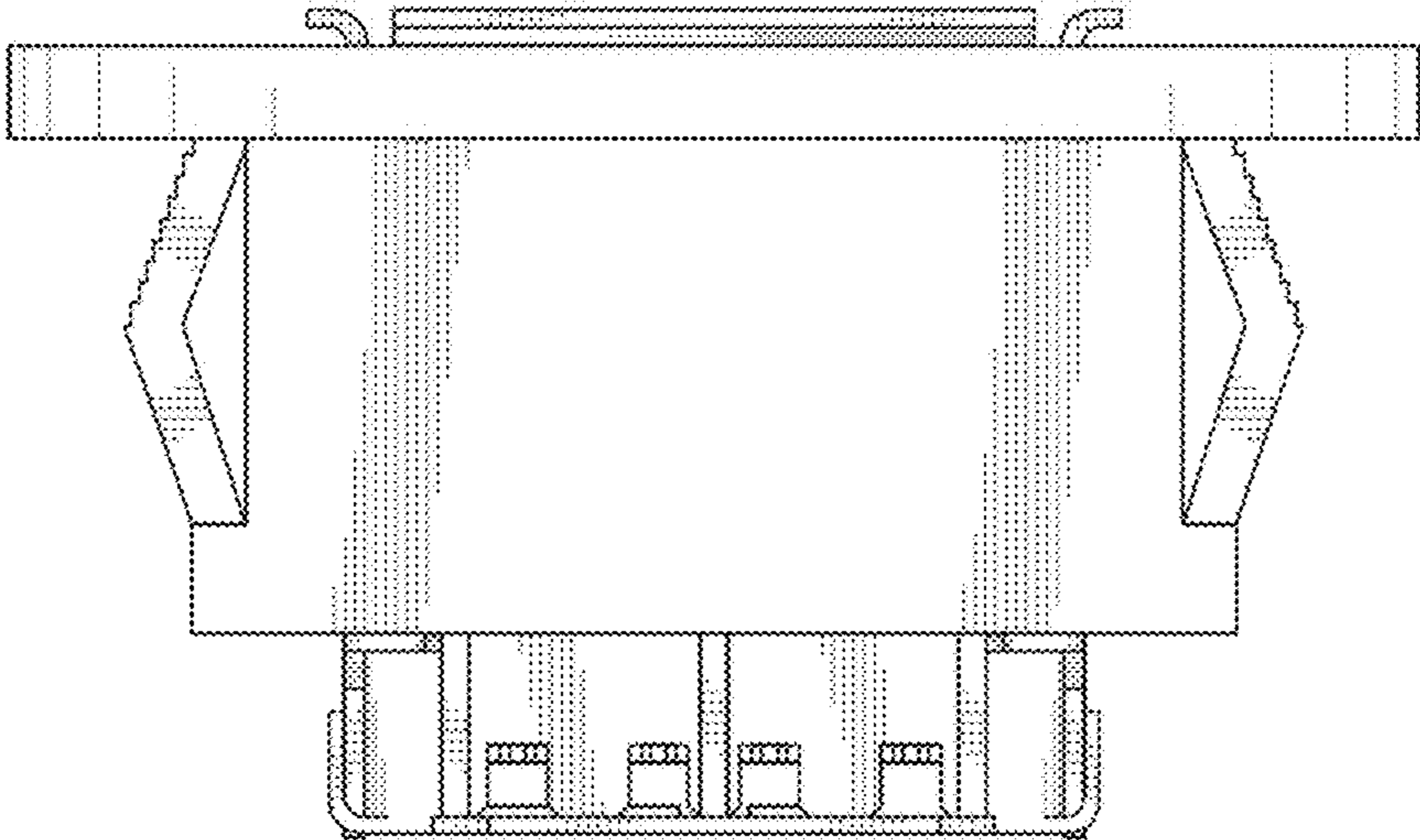
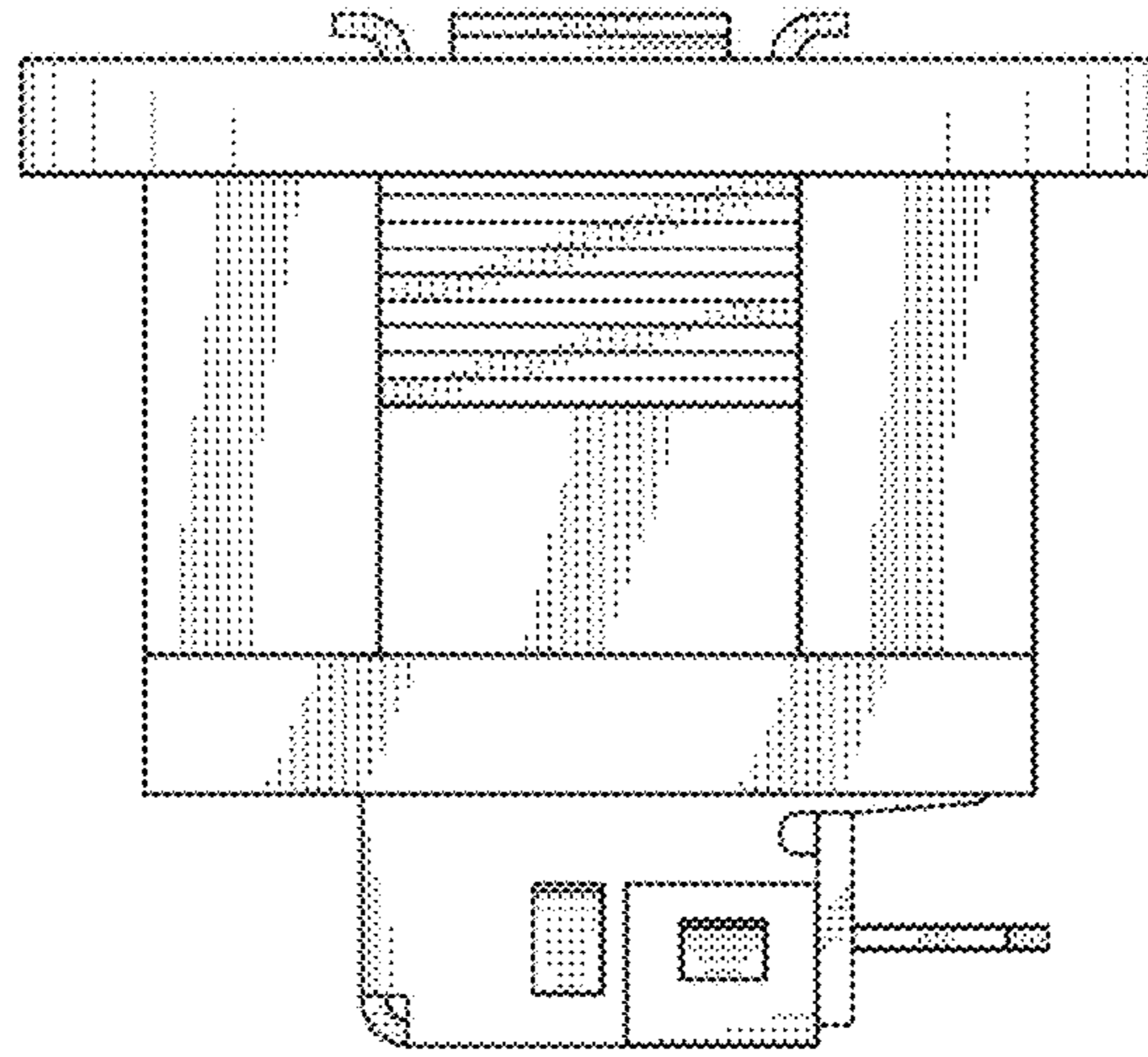
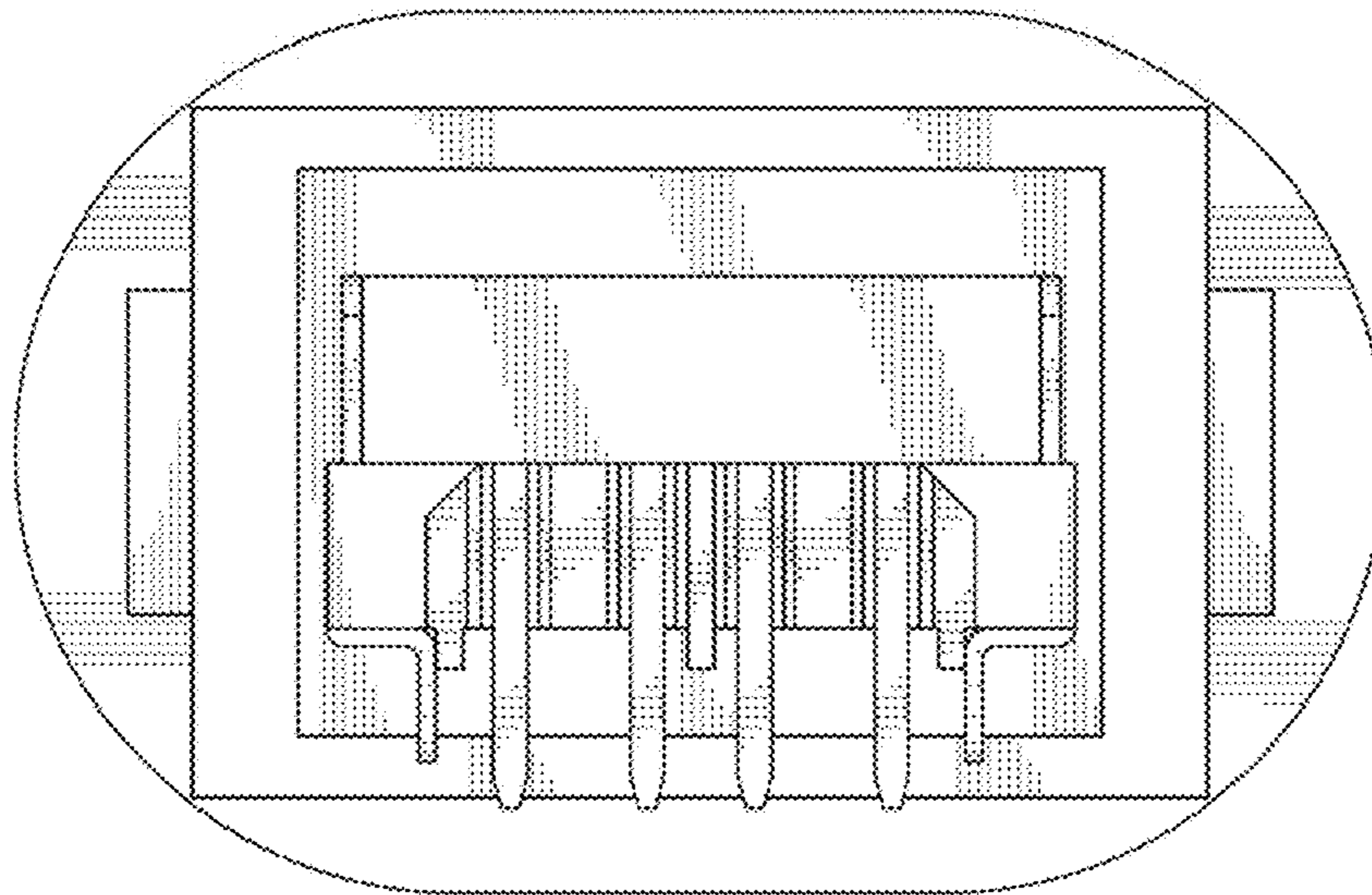


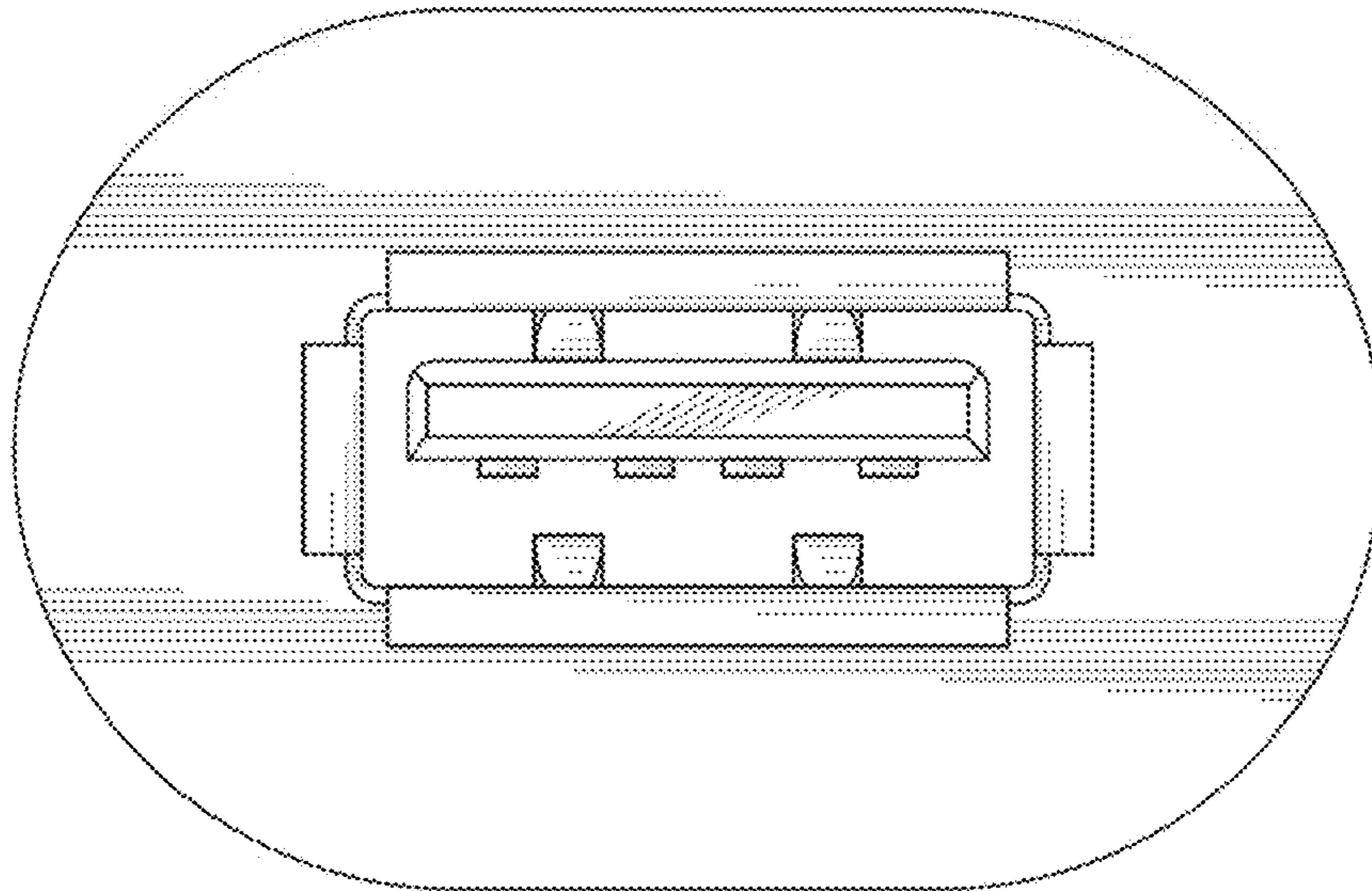
FIG. 4



*FIG. 5*



*FIG. 6*



*FIG. 7*