

US00D866554S

(12) **United States Design Patent** (10) **Patent No.:** **US D866,554 S**
Lo et al. (45) **Date of Patent:** **** Nov. 12, 2019**

(54) **REMOTE CONTROLLER**
(71) Applicant: **HTC Corporation**, Taoyuan (TW)
(72) Inventors: **Michael Che Ho Keogan Lo**, San Francisco, CA (US); **Claude Zellweger**, San Francisco, CA (US); **Catherine Sayim Kim**, San Francisco, CA (US); **Brent Edward Barberis**, San Francisco, CA (US)

D454,350 S 3/2002 Jang
D473,526 S * 4/2003 Israel D13/168
D556,201 S 11/2007 Ashida et al.
D556,760 S 12/2007 Ashida et al.
D567,243 S 4/2008 Ashida et al.
D570,793 S 6/2008 Ikeda et al.
D578,079 S 10/2008 Huang et al.
D579,015 S 10/2008 Ashida et al.
D599,352 S 9/2009 Takamoto et al.
D605,177 S 12/2009 Madonna et al.
D615,977 S 5/2010 Sogabe et al.

(Continued)

(73) Assignee: **HTC CORPORATION**, Taoyuan (TW)
(**) Term: **15 Years**
(21) Appl. No.: **29/646,215**
(22) Filed: **May 2, 2018**

Related U.S. Application Data

(62) Division of application No. 29/550,253, filed on Dec. 31, 2015, now Pat. No. Des. 819,638.
(51) **LOC (12) Cl.** **14-02**
(52) **U.S. Cl.**
USPC **D14/388**; D14/400; D21/333
(58) **Field of Classification Search**
USPC D14/388, 218, 454, 299, 496, 400, 401, D14/412; D21/333; D13/168
CPC A63F 13/24; A63F 13/213; A63F 13/214; A63F 13/00; A63F 13/212; A63F 13/20; G06F 3/014; G06F 3/017; G06F 3/02
See application file for complete search history.

References Cited

U.S. PATENT DOCUMENTS

D298,749 S 11/1988 Yant
D328,463 S 8/1992 King et al.
D331,058 S 11/1992 Morales
D385,537 S 10/1997 Walker et al.
D405,079 S 2/1999 Oikawa
D415,485 S 10/1999 Leifer et al.

OTHER PUBLICATIONS

ArtStation—Immerse VR Controller concept and final model by Stuart Cooper. ArtStation.com (online) 2 pgs. Posted “2 years ago”. [Retrieved on Aug. 9, 2019] <https://www.artstation.com/artwork/5V94z>.*

Primary Examiner — Marie D. Fast Horse

(74) *Attorney, Agent, or Firm* — Birch, Stewart, Kolasch & Birch, LLP

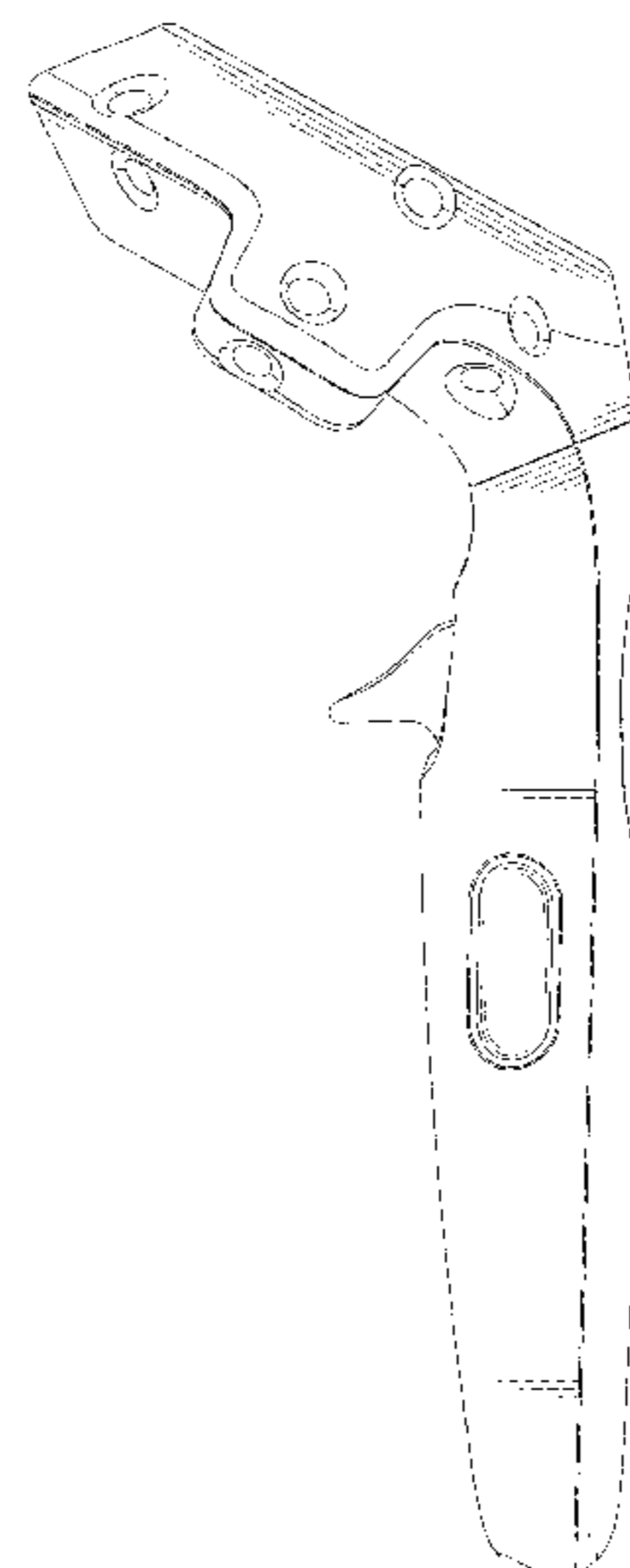
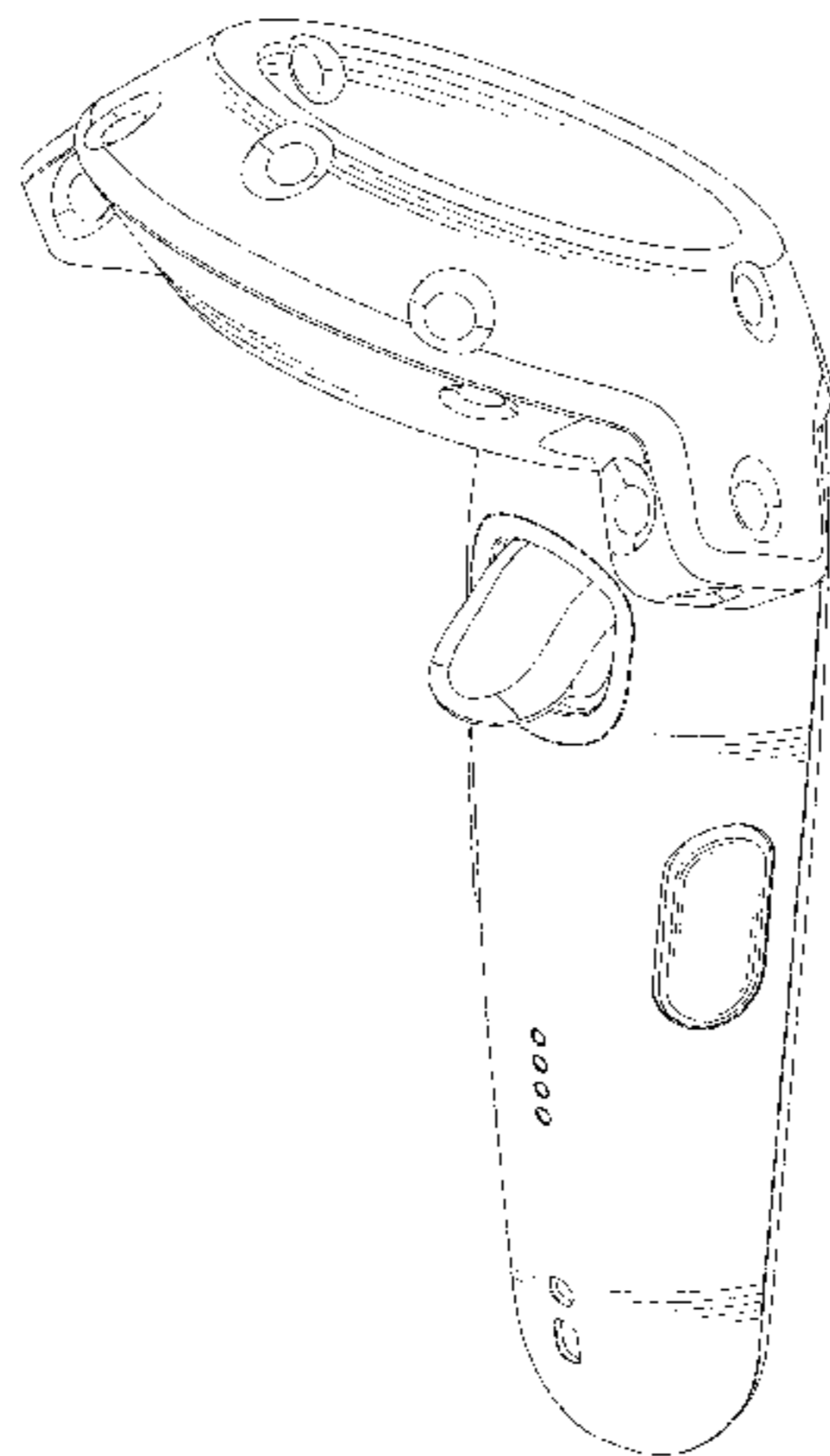
(57) **CLAIM**

The ornamental design for remote controller, as shown and described.

DESCRIPTION

FIG. 1 is a front perspective view of a remote controller showing our new design;
FIG. 2 is a front view thereof;
FIG. 3 is a rear view thereof;
FIG. 4 is a left view thereof;
FIG. 5 is a right view thereof;
FIG. 6 is a top plan view thereof; and,
FIG. 7 is a bottom plan view thereof.
The shade lines indicate the character and contour of the surfaces represented, not to be confused with surface ornamentation.

1 Claim, 6 Drawing Sheets



(56)

References Cited

U.S. PATENT DOCUMENTS

D615,978	S	5/2010	Sogabe et al.	
D626,517	S	11/2010	Yano	
D651,581	S	1/2012	Yano	
D665,026	S	8/2012	VanBuren	
D674,354	S	1/2013	Yano	
D678,281	S	3/2013	Yung	
D682,946	S	5/2013	Ashida et al.	
D691,217	S	10/2013	Condon et al.	
D729,803	S	5/2015	Avery	
D746,288	S	12/2015	Mathis et al.	
D753,235	S	4/2016	Choi et al.	
D753,236	S	4/2016	Choi et al.	
D763,359	S	8/2016	Kwong	
D772,821	S	11/2016	Bristol	
D772,986	S	11/2016	Chen et al.	
D779,487	S	2/2017	Rothfuß	
D780,807	S	3/2017	Chen et al.	
D784,990	S	4/2017	Huang	
D802,055	S *	11/2017	Chen	D21/333
D813,203	S *	3/2018	Hardi	D14/218
D817,300	S *	5/2018	Bristol	D21/333
D819,638	S *	6/2018	Lo	D14/388
D827,613	S *	9/2018	Seo	D14/218
D844,608	S *	4/2019	Chen	D14/388
D844,609	S *	4/2019	Bristol	D14/388
D849,743	S *	5/2019	Chen	D14/401
D851,086	S *	6/2019	Chen	D14/401
2005/0197205	A1 *	9/2005	Hale, Jr.	A63B 67/002 473/340
2015/0365596	A1	12/2015	Hsiang et al.	
2016/0357261	A1	12/2016	Bristol et al.	
2016/0363996	A1	12/2016	Higgins et al.	
2018/0296913	A1 *	10/2018	Chen	A63F 13/214
2019/0201783	A1 *	7/2019	Higgins	A63F 13/214

* cited by examiner

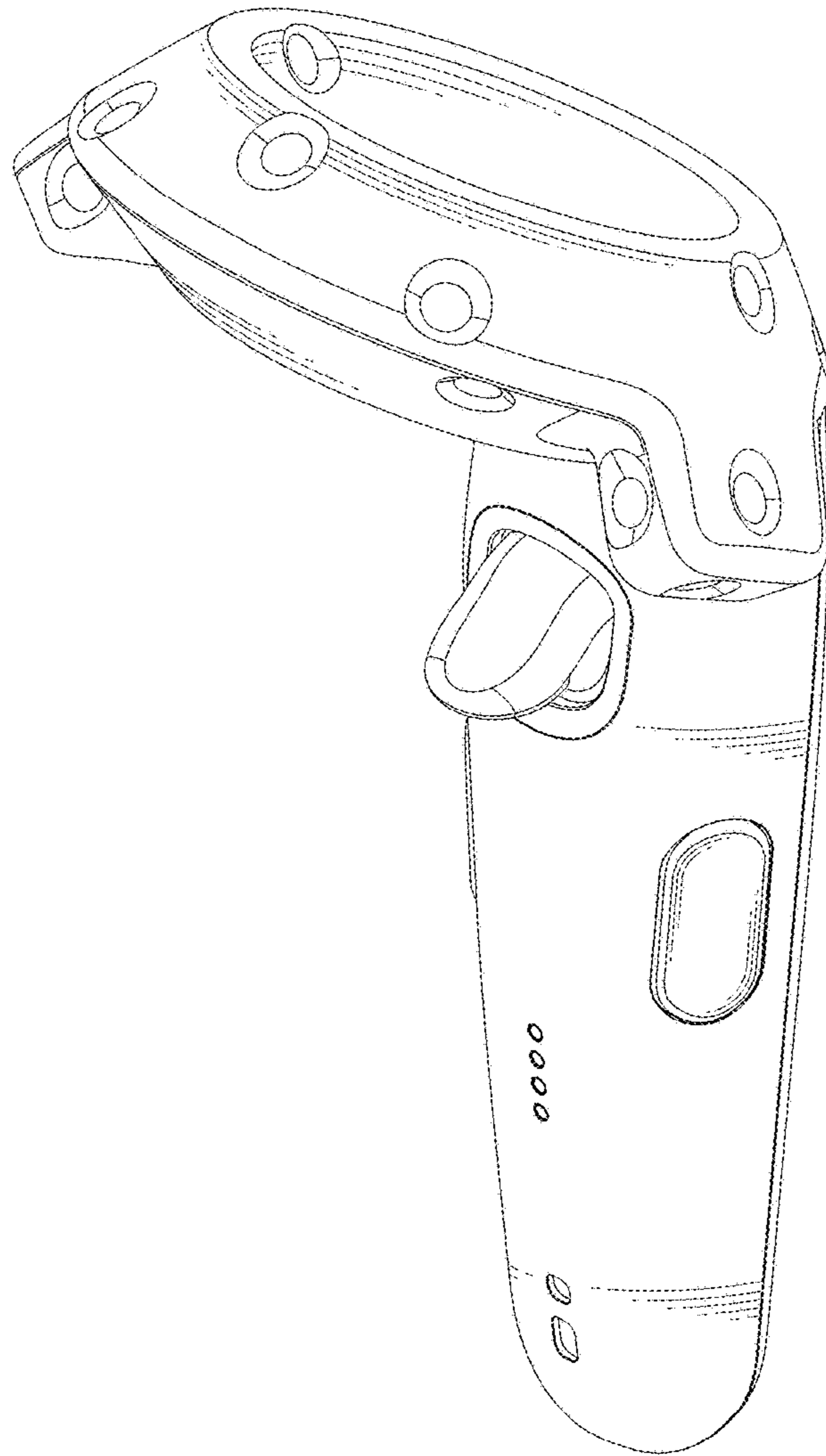


FIG. 1

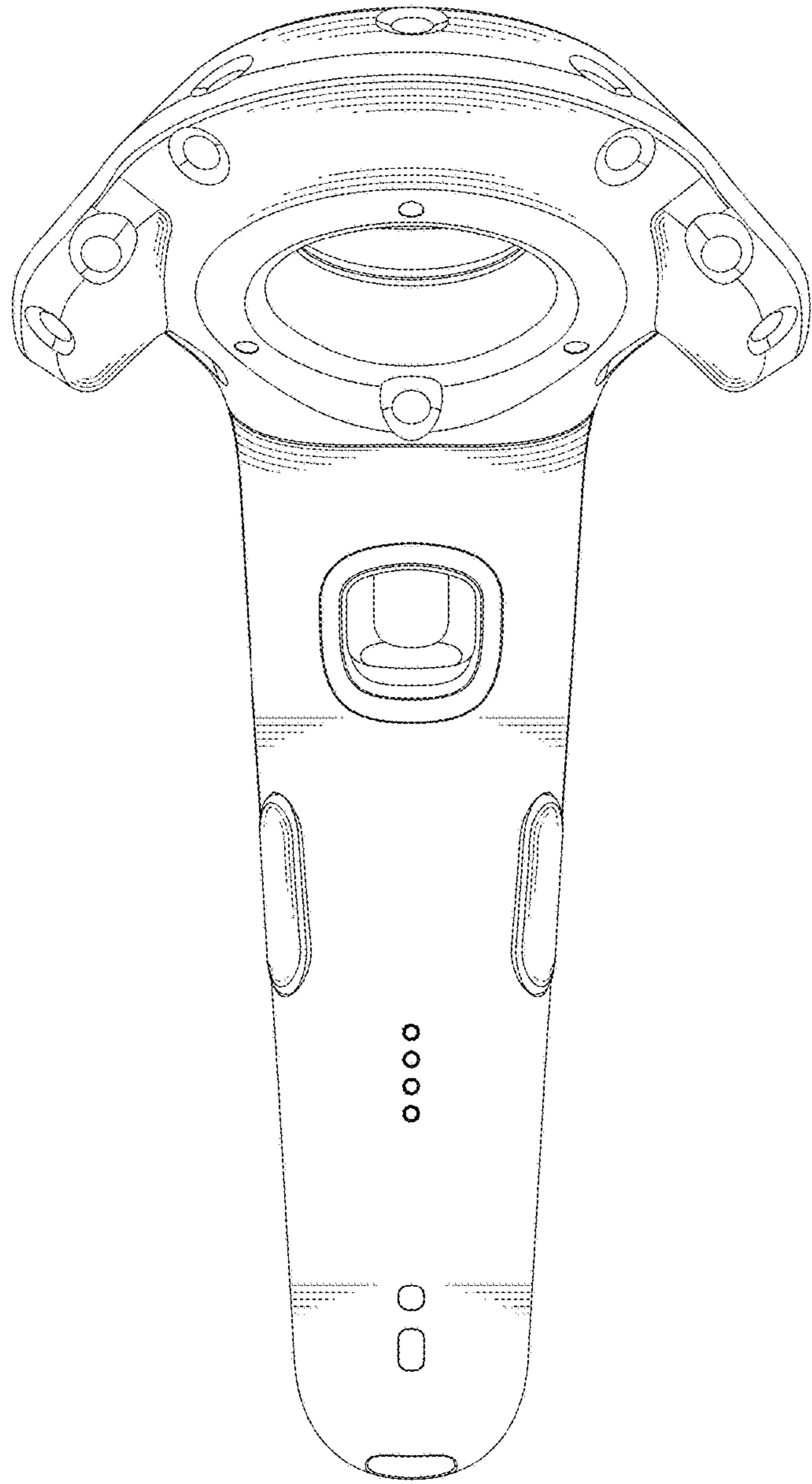


FIG. 2

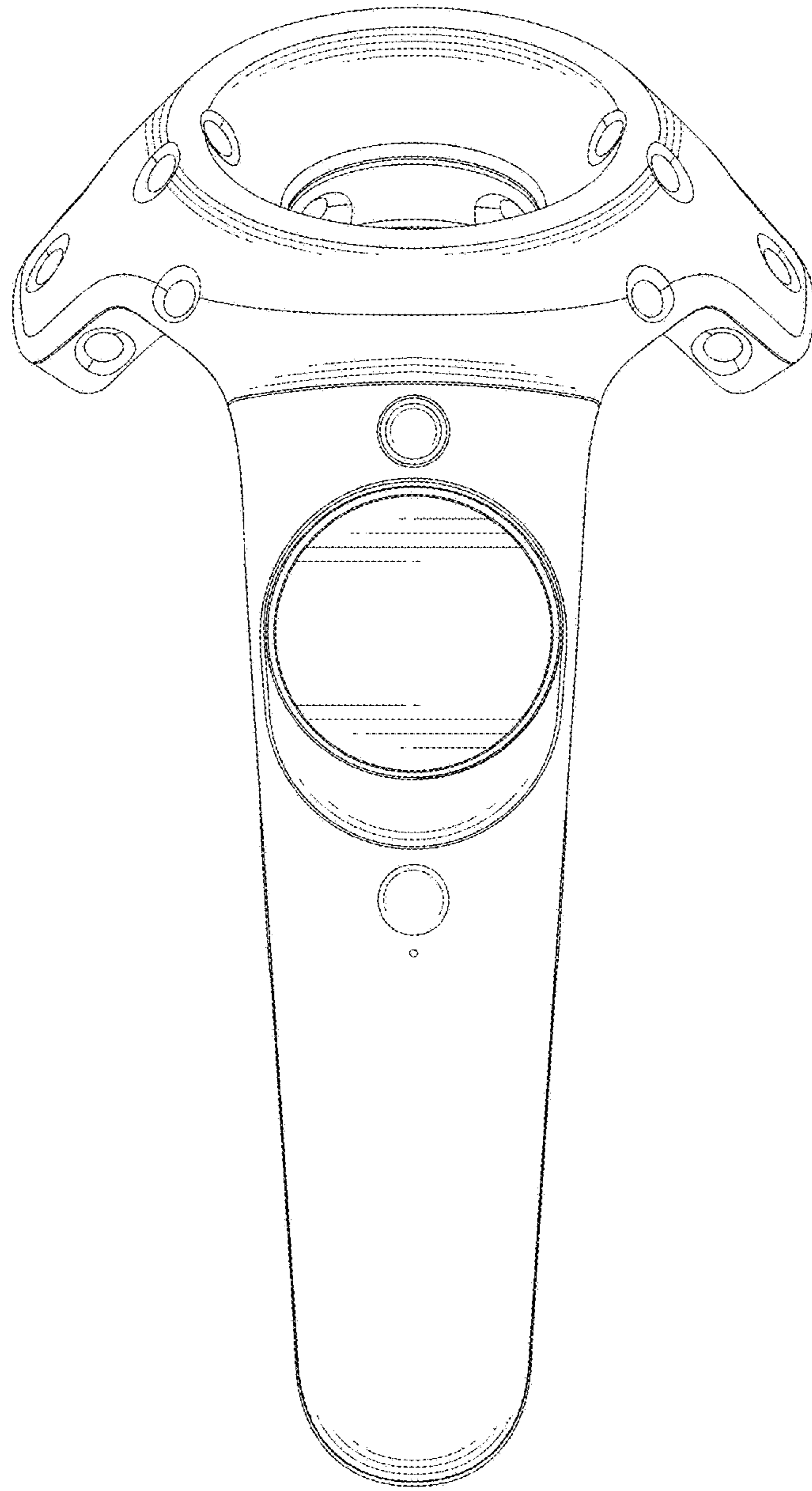


FIG. 3

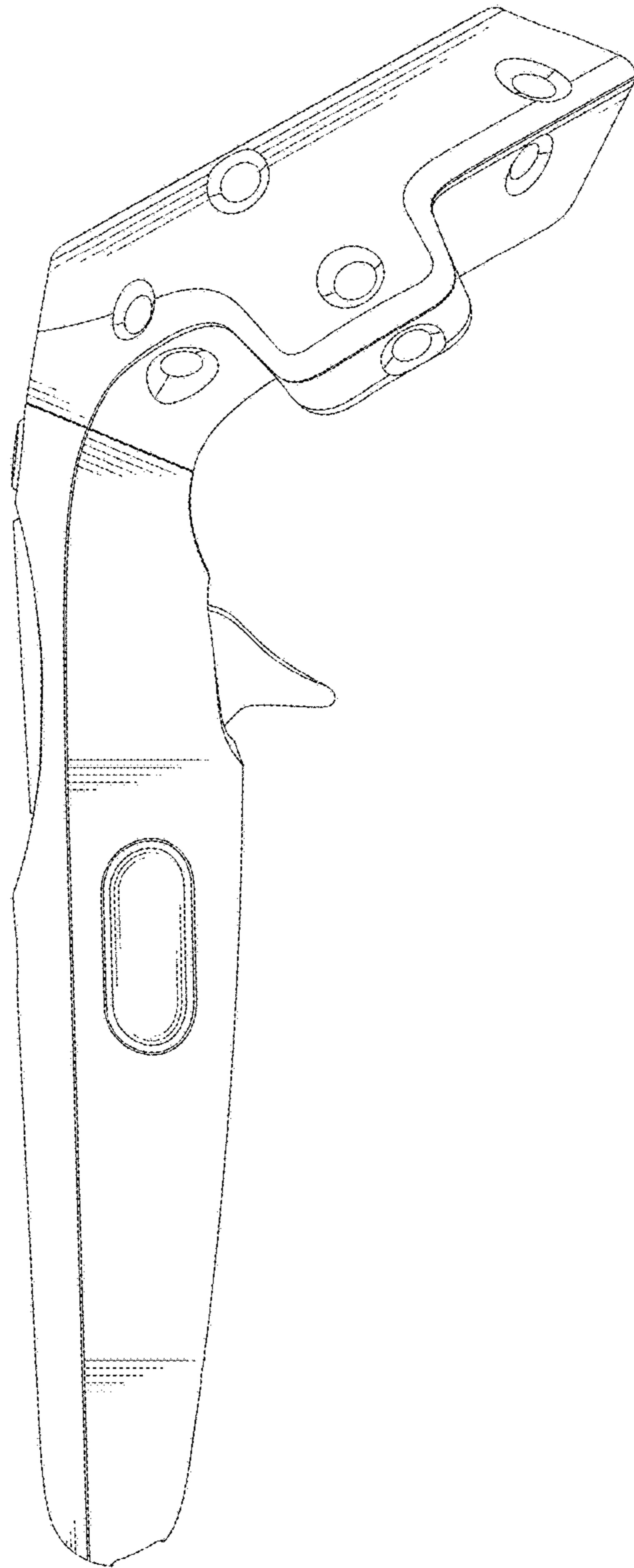


FIG. 4

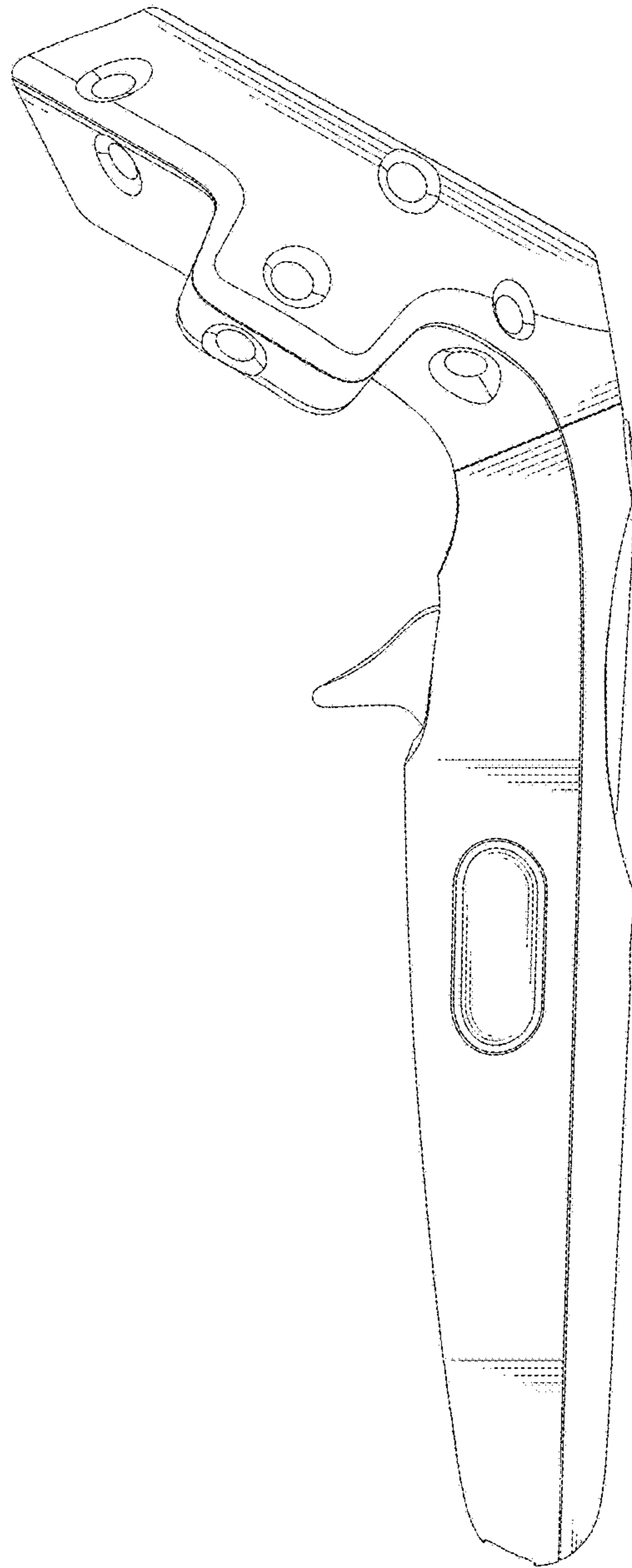


FIG. 5

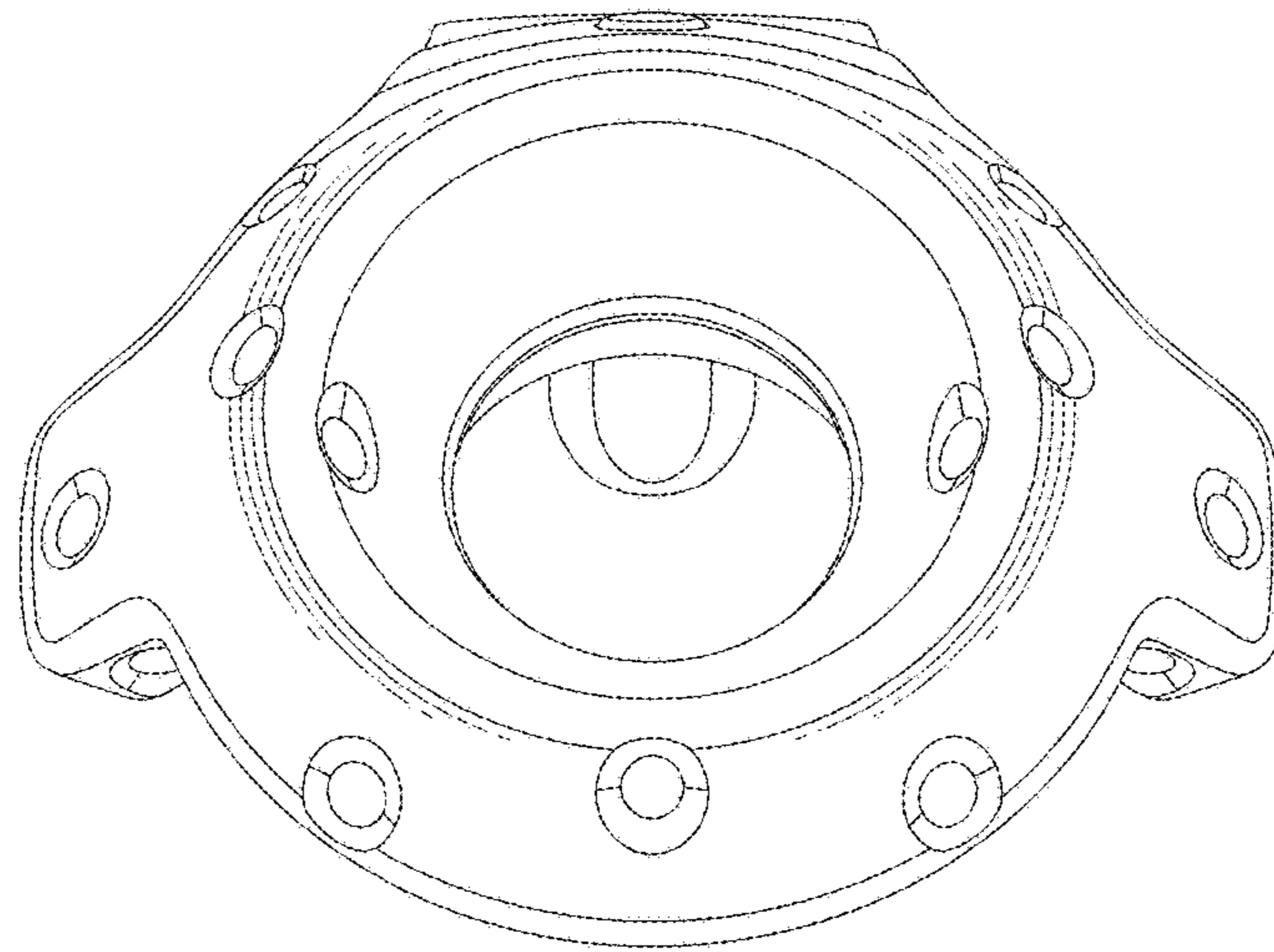


FIG. 6

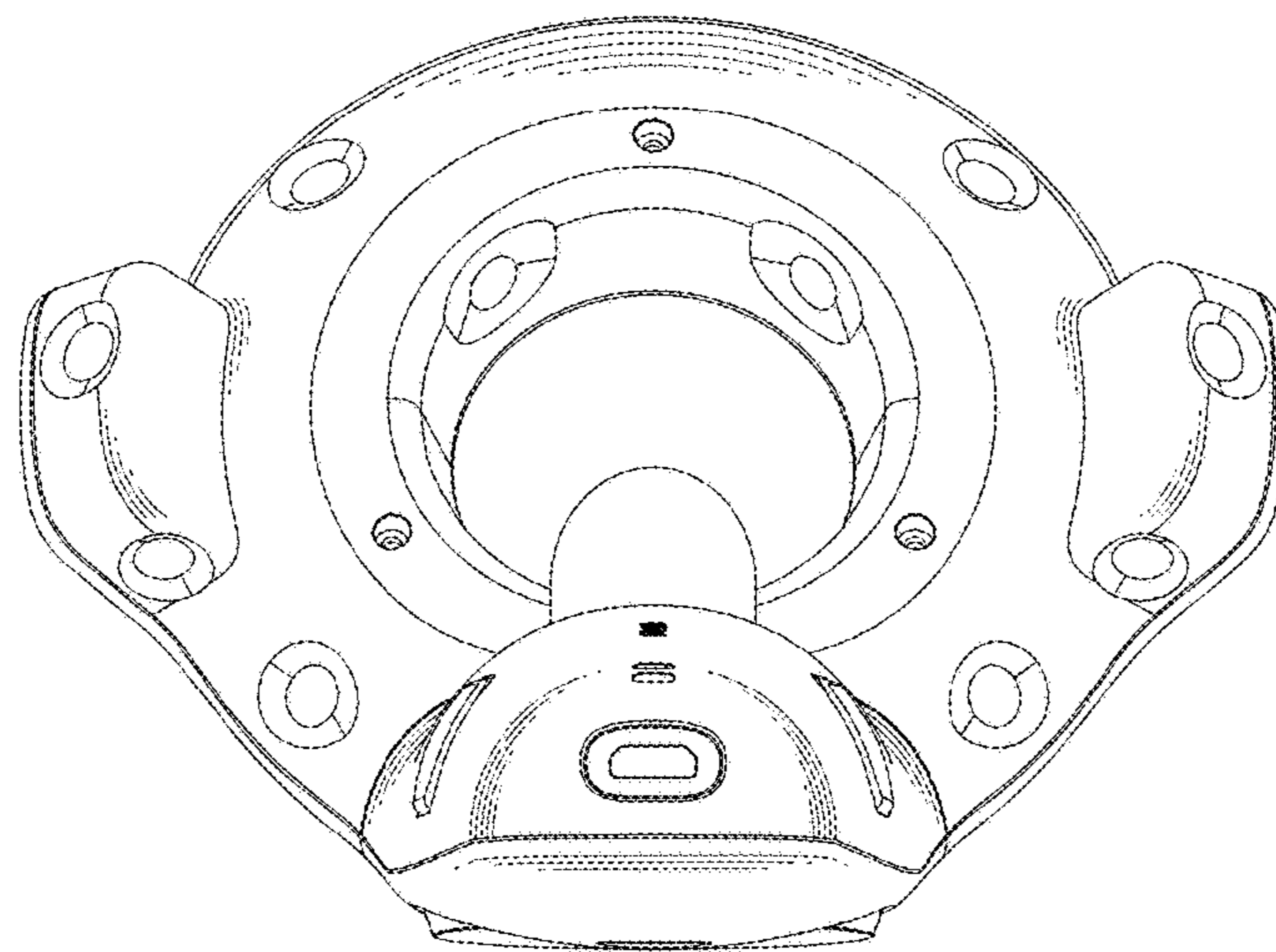


FIG. 7