

US00D86653S

(12) **United States Design Patent**  
**Miura et al.**

(10) **Patent No.:** **US D866,553 S**

(45) **Date of Patent:** **\*\* Nov. 12, 2019**

(54) **INPUT DEVICE**

(71) Applicant: **DOUZEN, INC.**, San Francisco, CA (US)

(72) Inventors: **Kentaro Miura**, San Francisco, CA (US); **James Leigh Toggweiler**, San Francisco, CA (US); **Julian Orbanes**, Arlington, MA (US)

(73) Assignee: **DOUZEN, INC.**, San Francisco, CA (US)

(\*\*) Term: **15 Years**

(21) Appl. No.: **29/553,799**

(22) Filed: **Feb. 4, 2016**

(51) **LOC (12) Cl.** ..... **14-02**

(52) **U.S. Cl.**  
USPC ..... **D14/388**

(58) **Field of Classification Search**  
USPC ..... D14/356, 357, 358, 361, 362, 365, 367, D14/370, 388, 432, 434, 203.1, 203.6, D14/204, 205, 216, 217, 218, 240, 242, D14/299, 125, 129, 130, 140, 155, 168, D14/188, 195, 300, 302, 314, 348, 351, D14/496, 399-401, 412-416, 454-457, D14/172, 402, 408, 399-401, 412-416, D14/454-457, 380, 398, 228; D13/103, D13/107, 108, 123, 162, 162.1, 163, 168, D13/184, 199; D10/104.1, 106.6, 116.1, D10/61, 62, 64, 65, 75; D21/324, 332, D21/333, 566; D24/167, 168, 186, 215;  
(Continued)

(56) **References Cited**

**U.S. PATENT DOCUMENTS**

1,667,919 A \* 5/1928 Younghusband .... A45D 33/006  
132/293  
D112,545 S \* 12/1938 Younghusband ..... D9/435  
D190,142 S \* 4/1961 Meshino ..... D3/203.2

(Continued)

**OTHER PUBLICATIONS**

Hale Orb—The New Way to Share Photos and Videos. hi-techchic.com. (online) 6 pgs. Posted Jun. 1, 2017 [retrieved on Jul. 10, 2017] <https://www.hi-techchic.com/hale-orb-the-new-way-to-share-photos-and-videos/>.\*

(Continued)

*Primary Examiner* — Marie D. Fast Horse

(74) *Attorney, Agent, or Firm* — David Lewis

(57) **CLAIM**

The ornamental design for an input device, as shown and described above.

**DESCRIPTION**

FIG. 1 is a view of one side of the input device, in a first position for use. The other sides of the input device look identical to the side shown in FIG. 1 when the input device is in the first position for use.

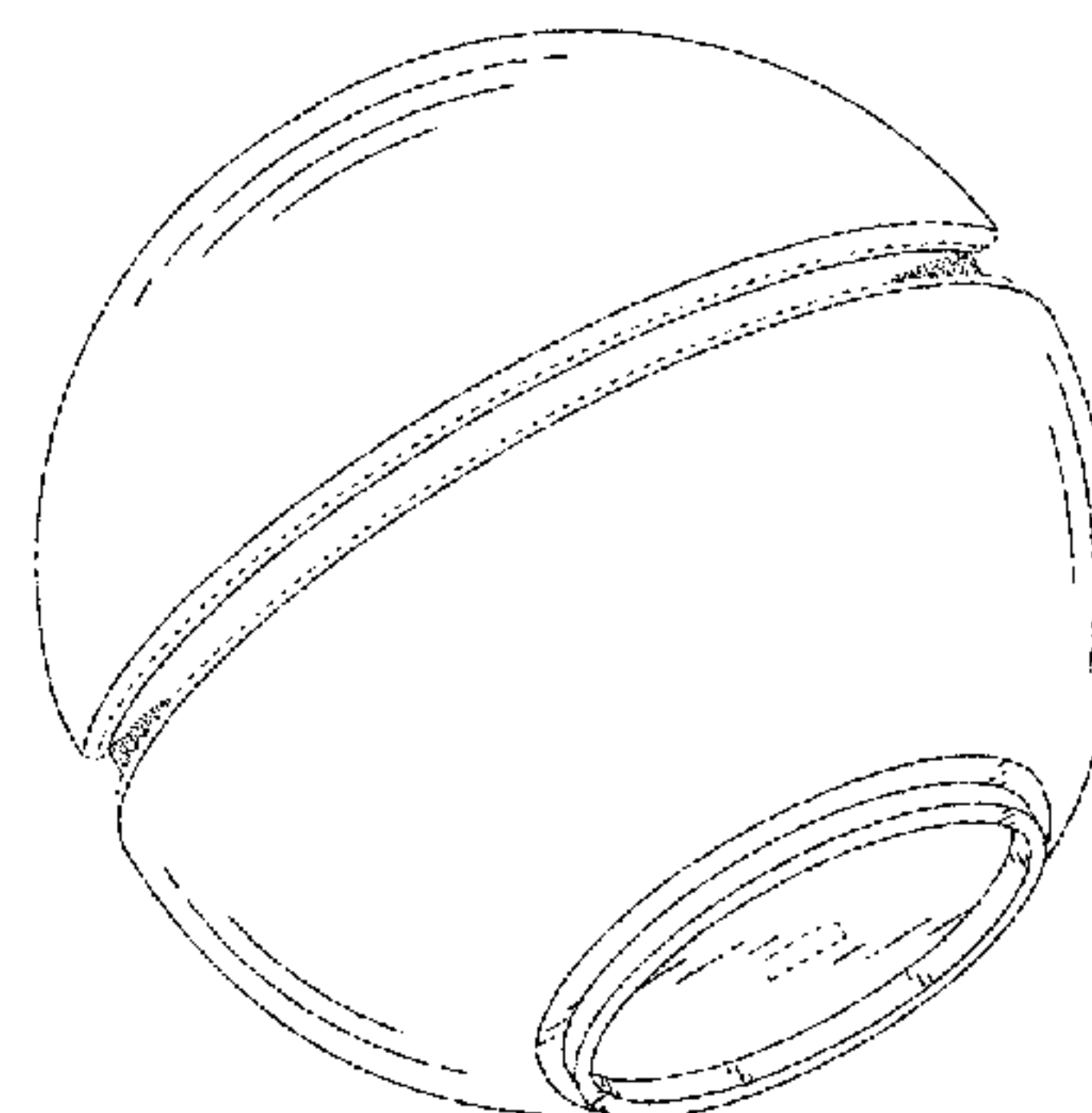
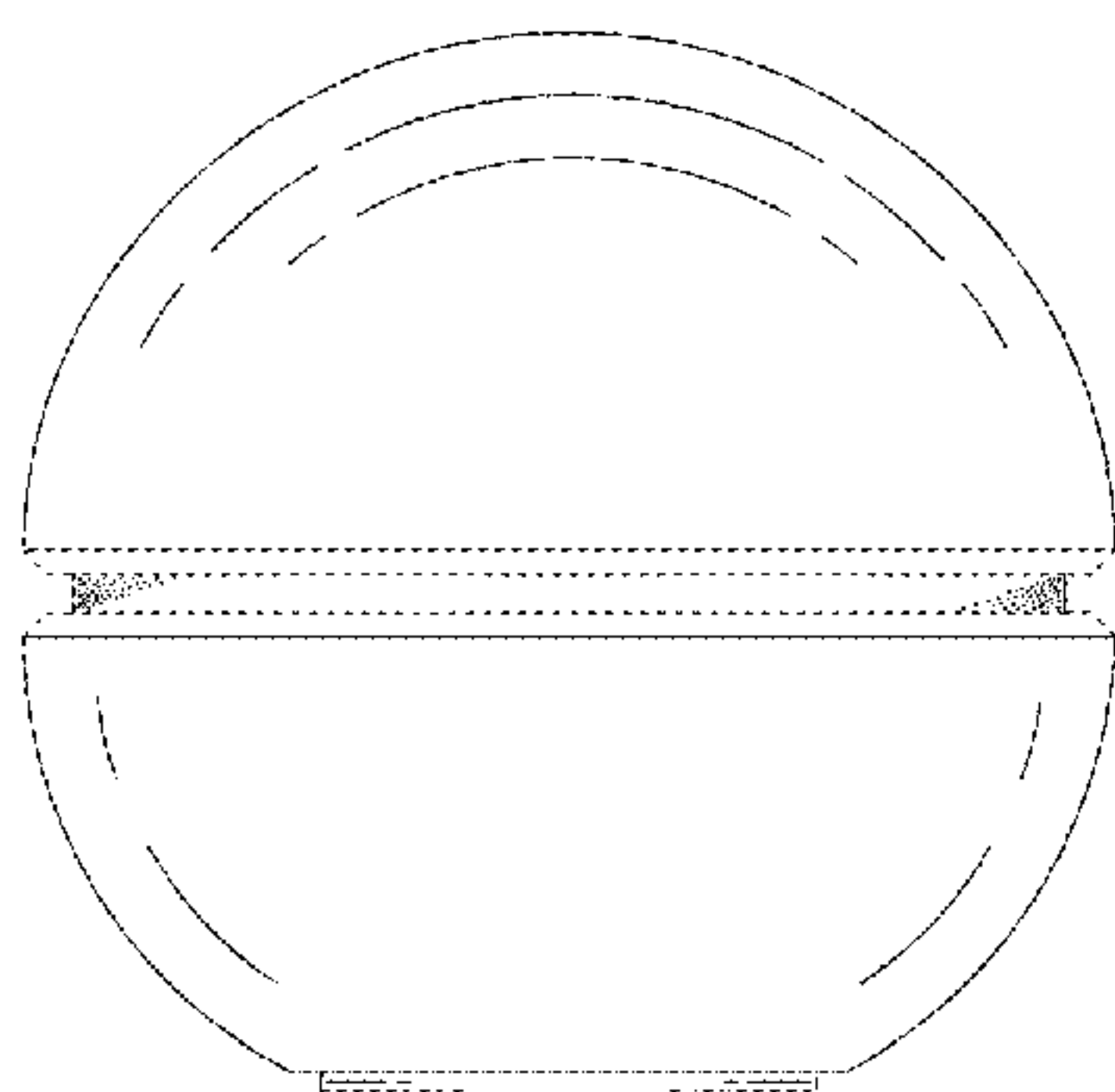
FIG. 2 is a view of the side of the input device in a second position for use in which the top has been pressed downwards. The other sides of the input device look identical to the side shown in FIG. 1 when the input device is in the second position for use.

FIG. 3 is a view of the top of the input device.

FIG. 4 is a view of the bottom of the input device; and, FIG. 5 is a perspective view of the input device in the first position for use, which shows the bottom of the input device. The broken lines in the drawings depict portions of the input device that form no part of the claim. The unshaded portions of the input device seen in-between the solid and broken lines are not claimed.

The input device is intended to be used for navigating between and within pages on a computer monitor.

**1 Claim, 3 Drawing Sheets**





(58) **Field of Classification Search**

USPC ..... D28/8.1, 8.2, 82; D3/229, 273; D9/545,  
D9/549, 428  
CPC ... G06F 3/00; G06F 3/01; G06F 3/011; G06F  
3/016; G06F 3/017; G06F 3/0304; G06F  
3/0346; G06F 3/041; G06F 3/16; G06F  
3/0202; G06F 1/1694; G06F 1/3259;  
G06F 2203/0384; G06F 3/0363; G06F  
3/04845

See application file for complete search history.

(56) **References Cited**

U.S. PATENT DOCUMENTS

D207,710 S \* 5/1967 Faux ..... D14/172  
D214,185 S \* 5/1969 Stageberg ..... D7/354  
D221,010 S \* 6/1971 Tavela ..... D99/35  
D255,215 S \* 6/1980 Ellinwood ..... D9/504  
D286,124 S \* 10/1986 Dempsey ..... D7/501  
D292,311 S \* 10/1987 Joyaux ..... D23/366  
D299,140 S \* 12/1988 Nakamura ..... D14/417  
D299,445 S \* 1/1989 Lee ..... D11/145  
D310,688 S \* 9/1990 Windorski ..... D19/75  
D324,106 S \* 2/1992 Greenblatt ..... D24/200  
D335,085 S \* 4/1993 Wacker ..... D7/538  
D339,986 S \* 10/1993 Garouste ..... D9/519  
5,432,530 A 7/1995 Arita et al.  
D361,558 S \* 8/1995 Siano, Jr. .... D14/403  
D361,559 S \* 8/1995 Siano, Jr. .... D14/403  
5,491,497 A 2/1996 Suzuki  
5,521,617 A 5/1996 Imai et al.  
D377,485 S \* 1/1997 Kaneko ..... D14/417  
D378,517 S \* 3/1997 Kaneko ..... D14/417  
D380,210 S \* 6/1997 Allana ..... D14/403  
D382,261 S \* 8/1997 Kaneko ..... D14/417  
D392,889 S \* 3/1998 Liu ..... D9/504  
D408,285 S \* 4/1999 Favre ..... D28/76  
D422,847 S \* 4/2000 Hansen ..... D7/606  
D430,358 S \* 8/2000 Papiernik ..... D28/91.1  
6,097,372 A 8/2000 Suzuki  
D432,130 S \* 10/2000 Smith ..... D14/403  
D434,038 S \* 11/2000 Ho ..... D14/402  
D440,206 S \* 4/2001 Carroll ..... D13/162  
D443,726 S \* 6/2001 Faillant-Dumas ..... D28/82  
D465,733 S \* 11/2002 Hill ..... D9/519  
D467,585 S \* 12/2002 Li ..... D14/403  
D473,793 S \* 4/2003 Paster ..... D9/521  
D475,288 S \* 6/2003 Hoffmann ..... D9/426  
D487,450 S \* 3/2004 Hakoda ..... D14/218  
D492,403 S \* 6/2004 Iddan ..... D24/104  
D493,792 S \* 8/2004 Rueb ..... D14/402  
D494,591 S \* 8/2004 Rueb ..... D14/402  
D508,915 S \* 8/2005 Nejigaki ..... 345/163  
D512,598 S \* 12/2005 Shore ..... D7/325  
D521,005 S \* 5/2006 Lin ..... D14/402  
D534,536 S \* 1/2007 Matsuoka ..... D14/408  
D541,228 S \* 4/2007 Thursfield ..... D13/168  
7,233,318 B1 \* 6/2007 Farag ..... G06F 3/03543  
345/163  
D554,529 S \* 11/2007 Green ..... D9/726  
D555,651 S \* 11/2007 Pascucci ..... D14/408  
D563,412 S \* 3/2008 Faurous ..... D14/408  
D564,900 S \* 3/2008 Green ..... D9/504  
D568,885 S \* 5/2008 Solland ..... D14/400  
D578,711 S \* 10/2008 Burrow ..... D28/82  
D579,937 S \* 11/2008 Cohen ..... D14/408  
D589,046 S \* 3/2009 Pascucci ..... D14/408  
D591,301 S \* 4/2009 Ho ..... D14/408  
D595,120 S \* 6/2009 Plowman ..... D8/356  
D602,915 S \* 10/2009 Song ..... D14/218  
D605,197 S \* 12/2009 Pascucci ..... D14/408  
D612,245 S \* 3/2010 Canamasas Puigbo ..... D9/519  
D624,543 S \* 9/2010 Kettula ..... D14/218  
D624,917 S \* 10/2010 Andre ..... D14/408  
D634,477 S \* 3/2011 Morabito ..... D28/64.1  
D638,884 S \* 5/2011 Shoemaker, Jr. .... D21/386

D645,468 S 9/2011 Skulina et al.  
D650,280 S \* 12/2011 de Peyerimhoff ..... D9/454  
D655,168 S \* 3/2012 In ..... D9/504  
D655,457 S \* 3/2012 In ..... D28/82  
D663,731 S \* 7/2012 Pajic ..... D14/408  
D685,790 S \* 7/2013 Tang ..... D14/218  
D692,547 S \* 10/2013 Wirz ..... D23/366  
D696,298 S \* 12/2013 Britt, Jr. .... D14/496  
D697,674 S \* 1/2014 You ..... D28/82  
D699,674 S \* 2/2014 Man ..... D13/108  
D719,248 S \* 12/2014 Smith, Jr. .... D23/356  
D726,028 S \* 4/2015 Thompson ..... D28/7  
D726,157 S \* 4/2015 Chang ..... D14/216  
D726,161 S \* 4/2015 Howard ..... D14/218  
D731,579 S \* 6/2015 Bart ..... D16/203  
D732,033 S \* 6/2015 Sakaguchi ..... D14/388  
D738,376 S \* 9/2015 Sakaguchi ..... D14/388  
D738,968 S \* 9/2015 Oz ..... D21/659  
D743,954 S \* 11/2015 Chuang ..... D13/168  
D747,984 S \* 1/2016 Zhao ..... D10/52  
D748,095 S \* 1/2016 Oikawa ..... D14/408  
9,232,844 B2 \* 1/2016 Thompson ..... A45D 40/00  
D758,349 S \* 6/2016 Chen ..... D14/216  
D758,557 S \* 6/2016 Jih ..... D23/355  
D760,648 S \* 7/2016 Lee ..... D13/108  
D762,130 S \* 7/2016 Hays ..... D10/106.7  
D762,132 S \* 7/2016 Hays ..... D10/106.7  
D762,500 S \* 8/2016 Hays ..... D10/106.7  
D765,617 S \* 9/2016 Mackiewicz ..... D14/216  
D772,828 S \* 11/2016 Kusumoto ..... D14/126  
D774,013 S \* 12/2016 Kusumoto ..... D14/126  
D775,960 S \* 1/2017 Erdwiens ..... D9/521  
D777,979 S \* 1/2017 Lozano ..... D28/38  
D778,876 S \* 2/2017 Zhang ..... D14/216  
D784,259 S \* 4/2017 Huang ..... D13/108  
9,690,390 B2 6/2017 Olsson et al.  
D797,829 S \* 9/2017 Lv ..... D14/154  
D801,303 S \* 10/2017 Holzer ..... D14/207  
D806,711 S \* 1/2018 Sakaguchi ..... D14/388  
D810,166 S \* 2/2018 Lee ..... D15/199  
D811,392 S \* 2/2018 Lu ..... D13/168  
D824,907 S \* 8/2018 Oh ..... D14/408  
D827,645 S \* 9/2018 Raken ..... D14/388  
D828,332 S \* 9/2018 Hu ..... D14/216  
D829,242 S \* 9/2018 Laine ..... D14/496  
D832,326 S \* 10/2018 Lee ..... D15/199  
D834,002 S \* 11/2018 Bergfeldt ..... D14/218  
D849,843 S \* 5/2019 Lambert ..... D21/333  
D851,068 S \* 6/2019 Ulloa ..... D14/217  
2001/0011997 A1 8/2001 Suzuki  
2002/0030665 A1 3/2002 Ano  
2005/0259077 A1 11/2005 Adams et al.  
2007/0247439 A1 \* 10/2007 Daniel ..... G06F 1/1601  
345/173  
2012/0188161 A1 \* 7/2012 Shih ..... G06F 1/3259  
345/163  
2014/0139466 A1 \* 5/2014 Sakaguchi ..... G06F 3/011  
345/173  
2015/0286295 A1 10/2015 Pepe  
2017/0153700 A1 \* 6/2017 Kondo ..... G06F 3/013  
2017/0228048 A1 \* 8/2017 Miura ..... G06F 3/0362

OTHER PUBLICATIONS

Mono and Stereo High-End Audio Magazine\_ Encore 7 remote control. monoandstereo.com (online) 9 pgs. Posted Apr. 2014 [retrieved on Jul. 10, 2017] <http://www.monoandstereo.com/2014/04/encore-7-remote-control.html>.  
This Spherical Gadget Will Bless Your Computer With Wireless AC Speeds. mikeshoots.com. (online) 5 pgs. Posted Jul. 30, 2015 [retrieved on Jul. 10, 2017] <https://mikeshoots.com/d-link-ac1900-ultra-wifi-usb-adapter-dwa-192/>.  
New Jupiter Mouse Accelerometer: Less, But Better. phys.org/. (online) 3 pgs. Posted Nov. 10, 2008 [retrieved on Jul. 10, 2017] <https://phys.org/news/2008-11-jupiter-mouse-accelerometer.html>.

\* cited by examiner

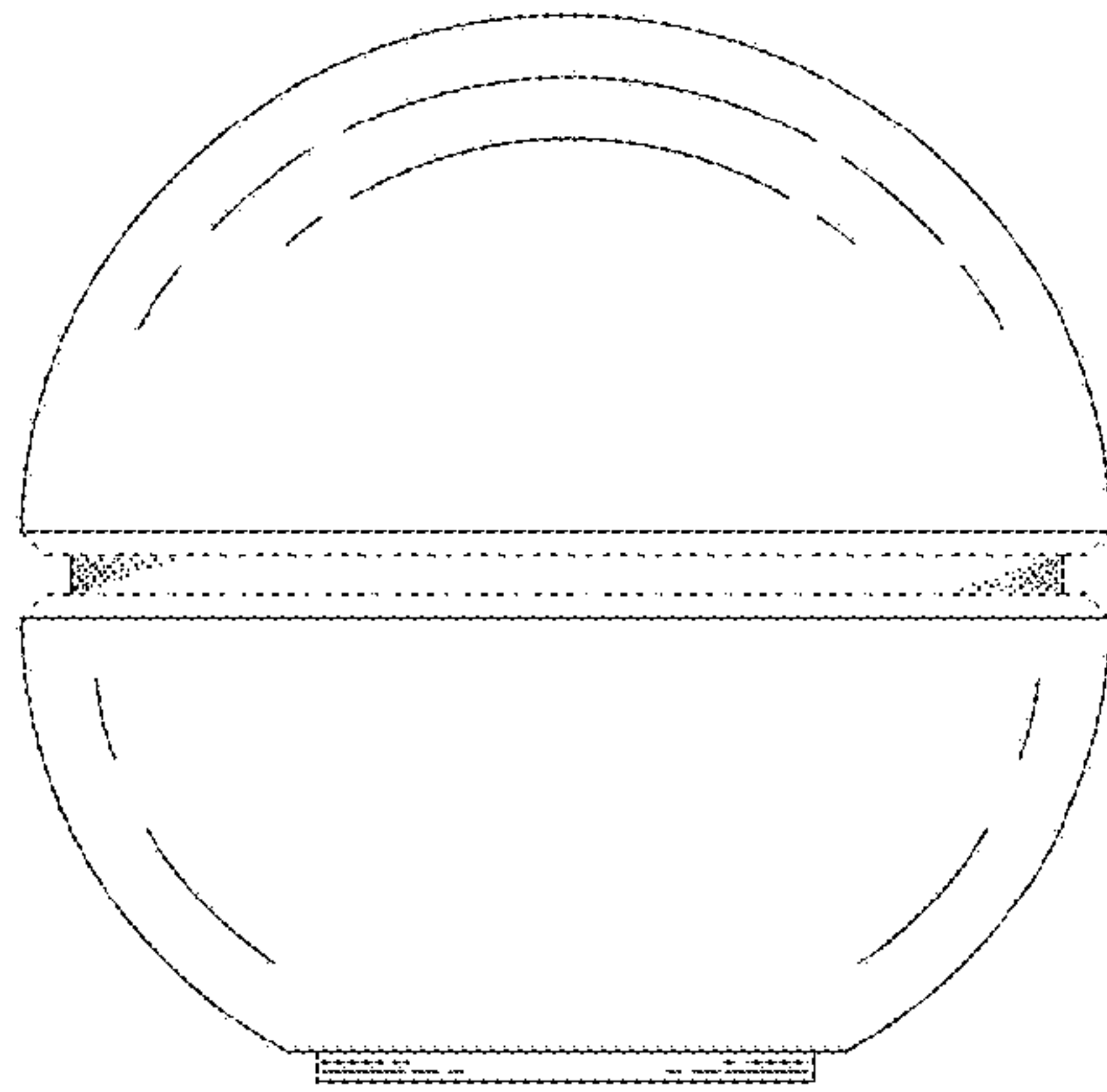


FIG. 1

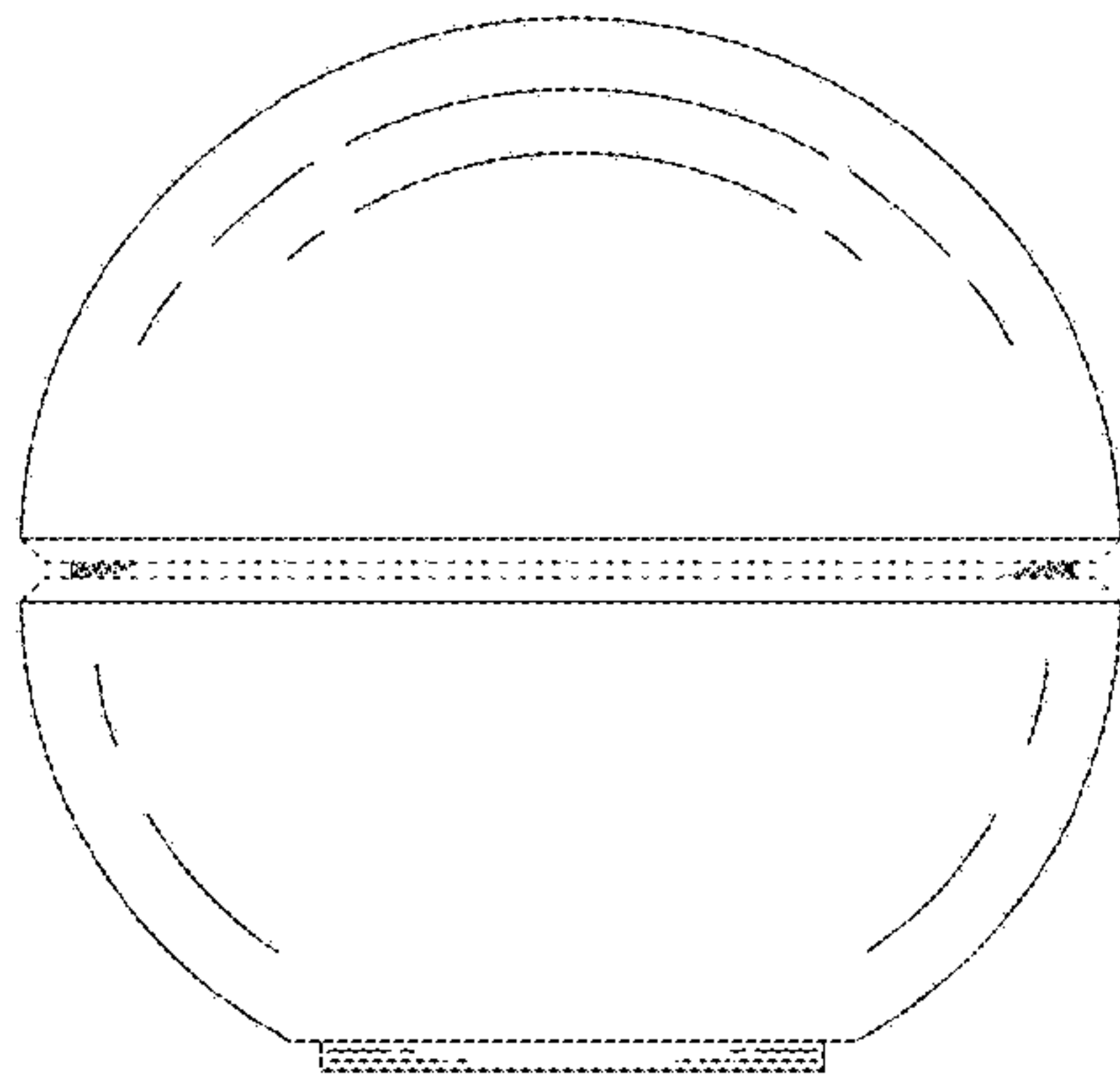


FIG. 2

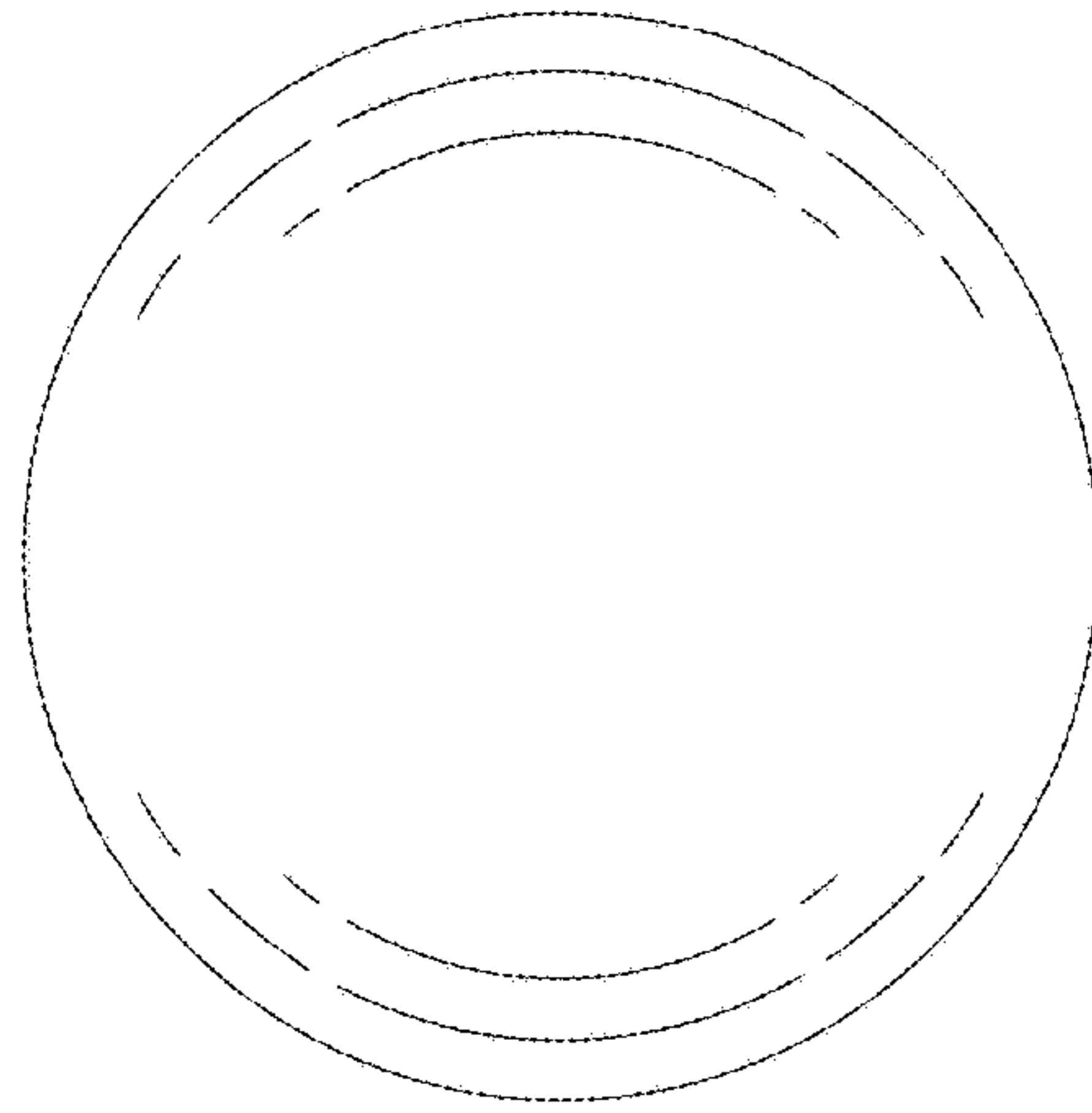


FIG. 3

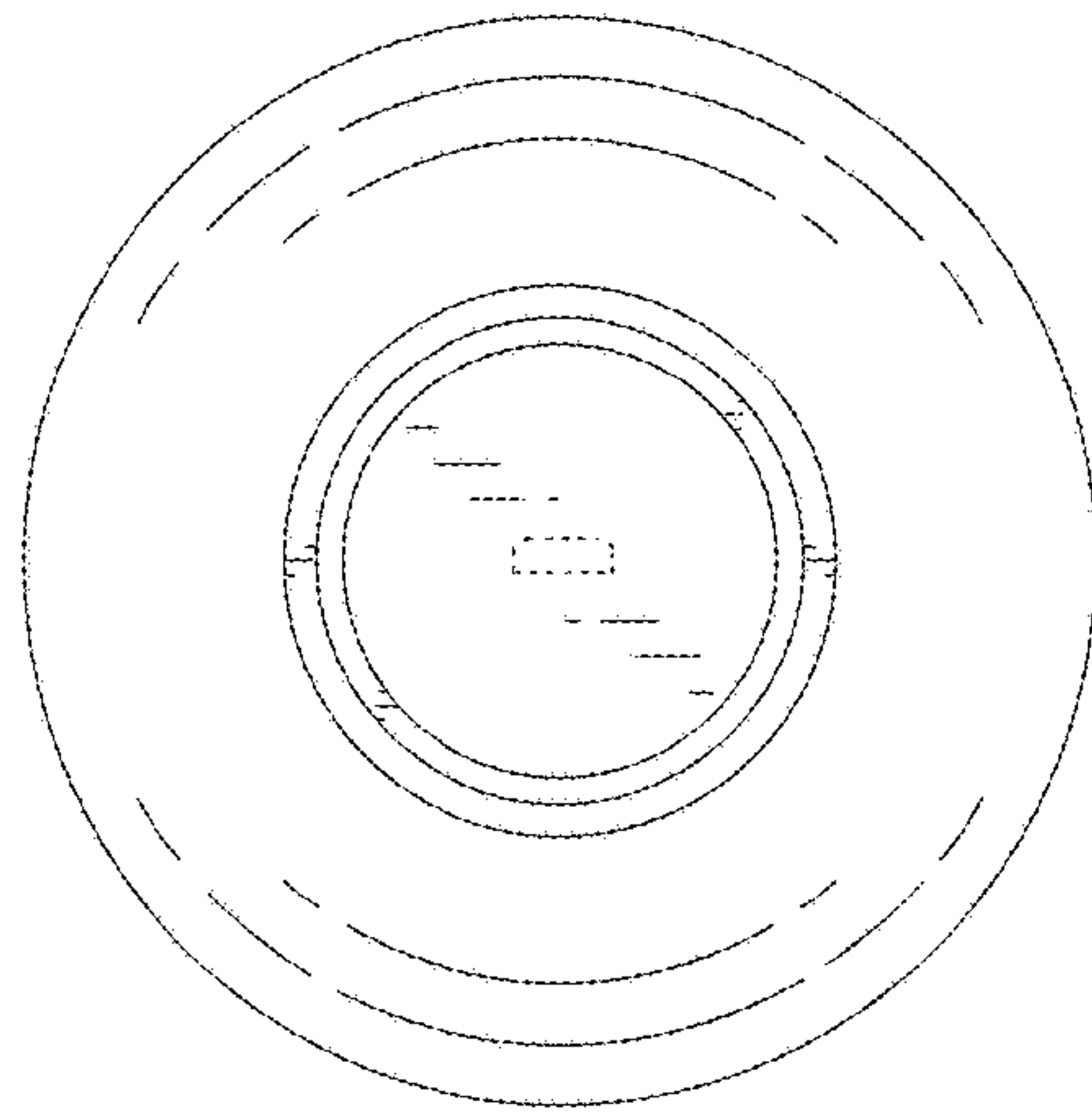


FIG. 4

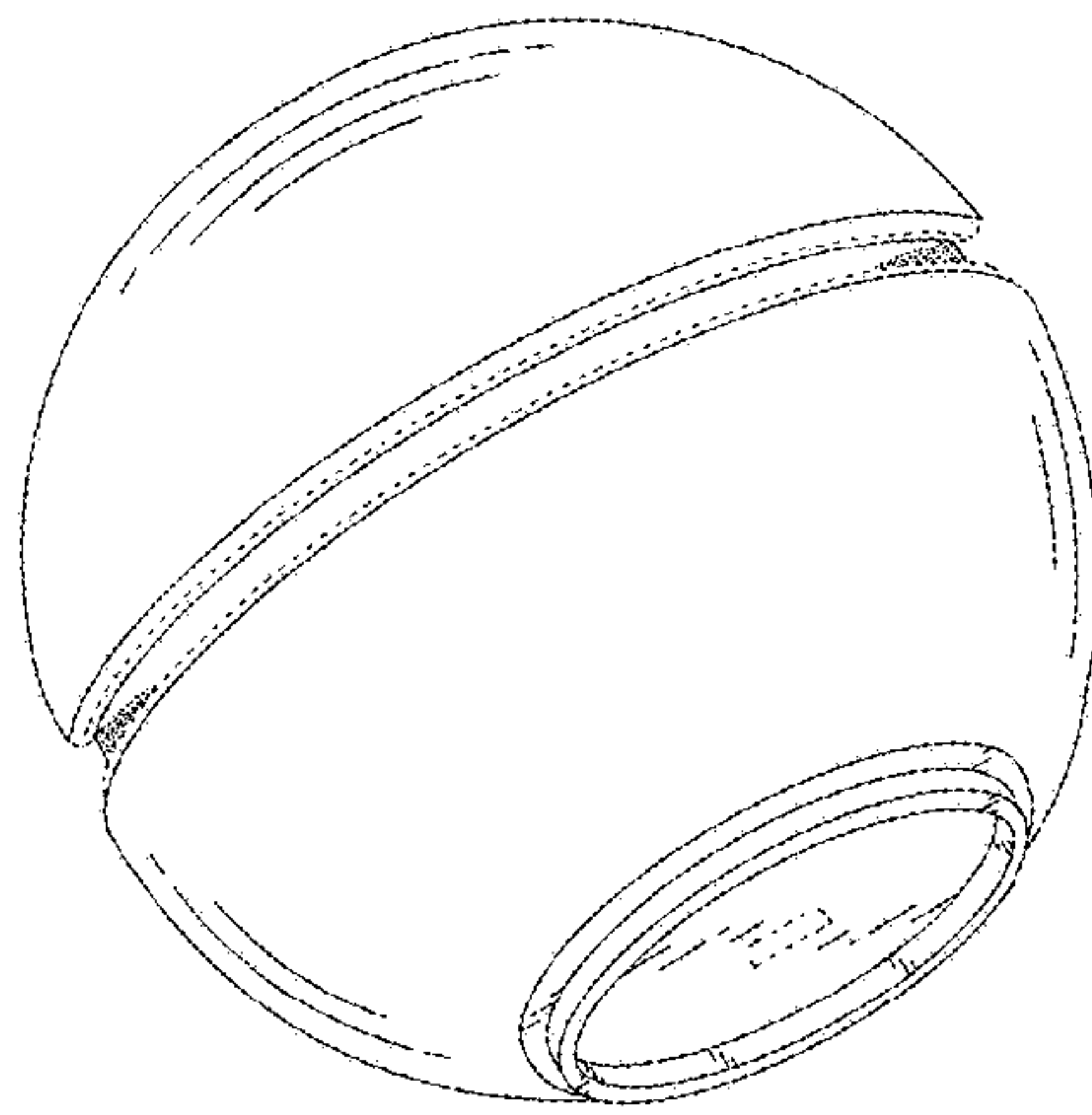


FIG. 5