



US00D86652S

(12) **United States Design Patent**
Young et al.

(10) **Patent No.:** **US D866,552 S**

(45) **Date of Patent:** **** *Nov. 12, 2019**

(54) **HEADSET**

DESCRIPTION

- (71) Applicant: **Avegant Corp.**, Belmont, CA (US)
- (72) Inventors: **Michael Alexander Young**, Belmont, CA (US); **Corey David Higham**, Cupertino, CA (US); **Samuel Benjamin Backes**, San Jose, CA (US); **Quinn Jerome Odette Fitzgerald**, San Francisco, CA (US)
- (73) Assignee: **Avegant Corp.**, San Mateo, CA (US)
- (*) Notice: This patent is subject to a terminal disclaimer.
- (**) Term: **15 Years**
- (21) Appl. No.: **29/589,836**
- (22) Filed: **Jan. 4, 2017**
- (51) **LOC (12) Cl.** **14-02**
- (52) **U.S. Cl.**
USPC **D14/372**
- (58) **Field of Classification Search**
USPC D14/372, 496, 432, 371, 125, 126, 129, D14/299; D16/300-342; 351/158, 153,
(Continued)

(56) **References Cited**

U.S. PATENT DOCUMENTS

- D719,953 S * 12/2014 Nokuo D14/372
 - D753,111 S * 4/2016 Fei D14/372
- (Continued)

Primary Examiner — Austin Murphy

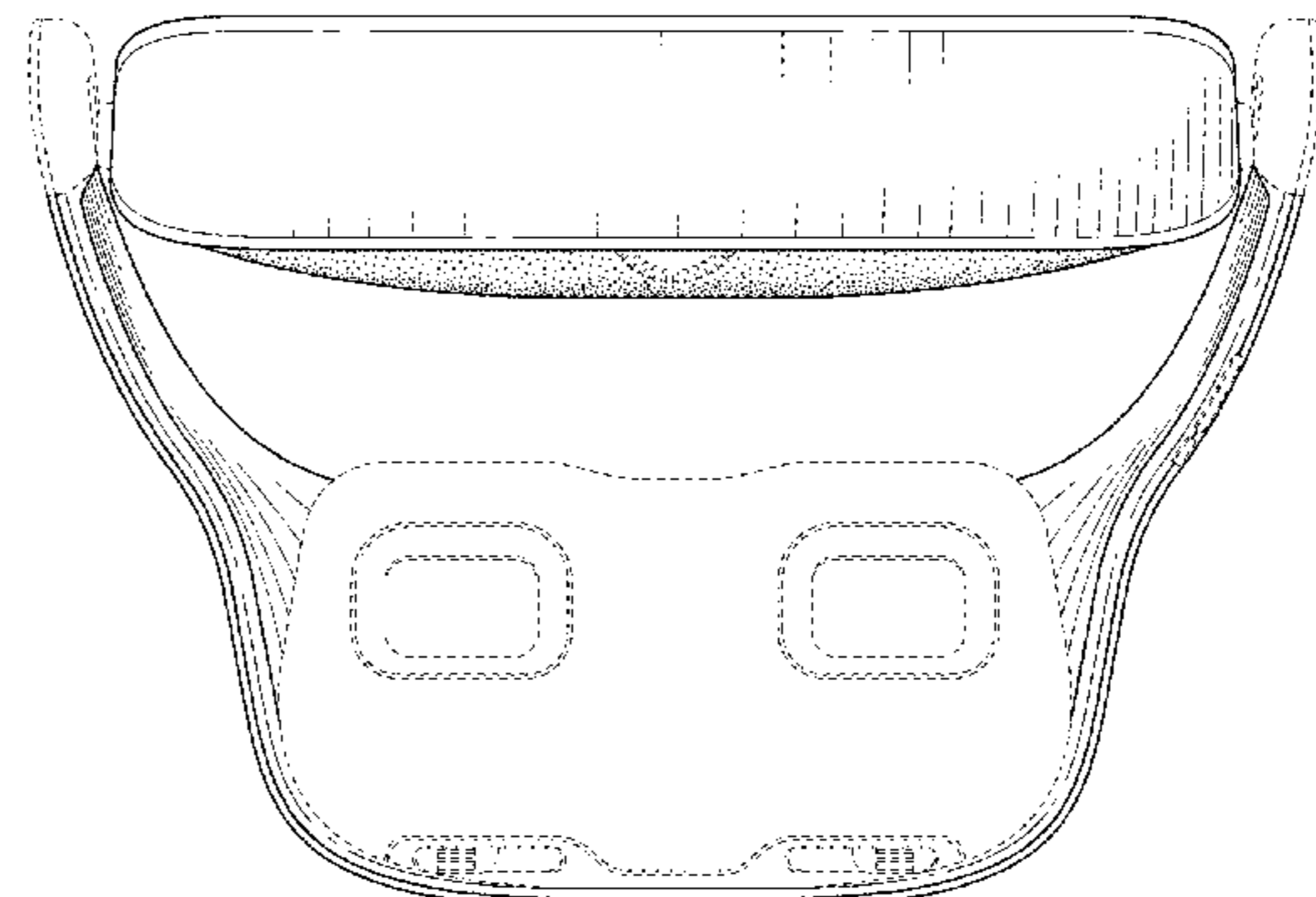
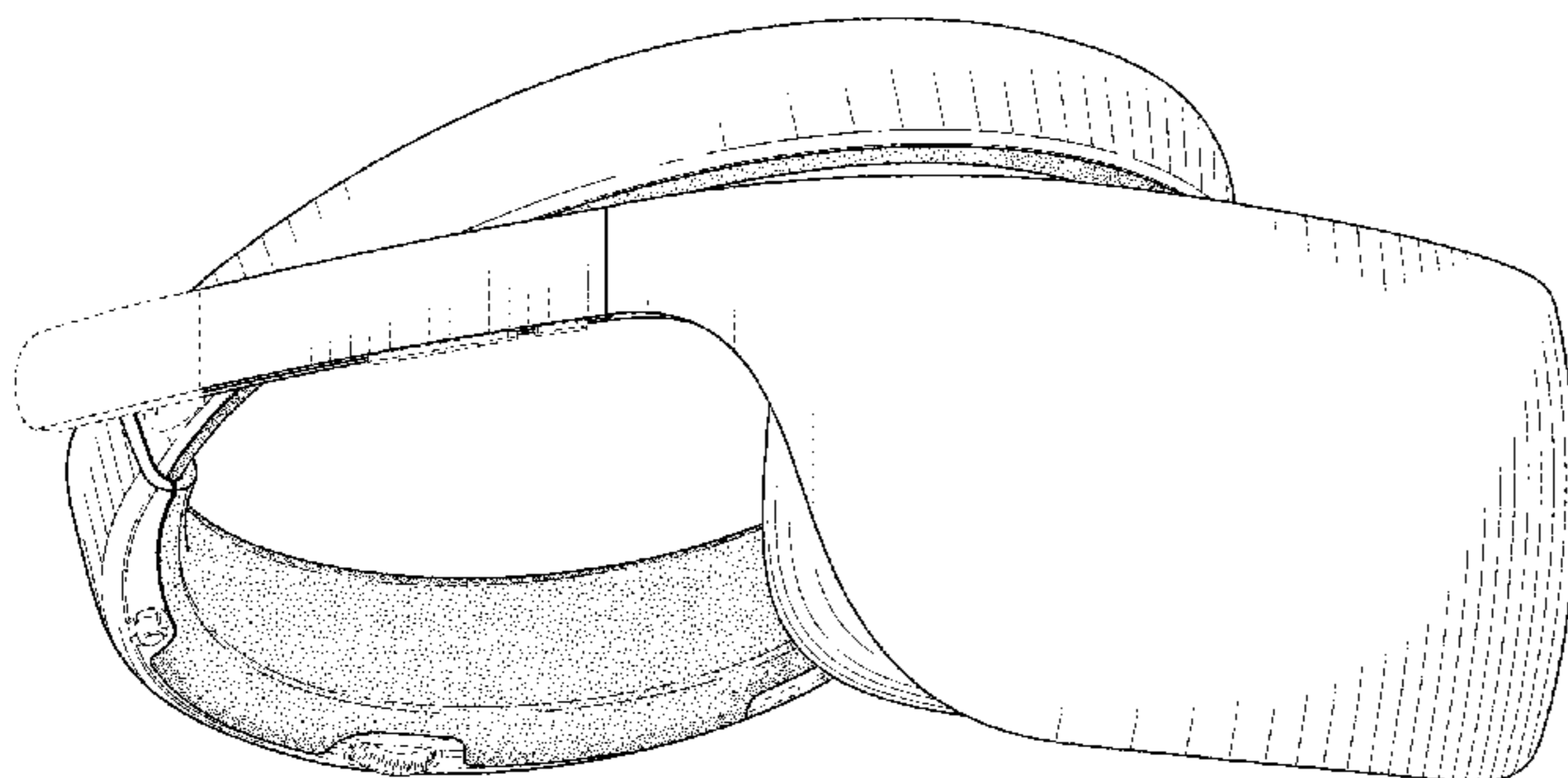
(74) *Attorney, Agent, or Firm* — HIPLegal LLP; Judith Szepesi

(57) **CLAIM**

The ornamental design for a headset, substantially as shown and described.

FIG. 1 is a front perspective view of the headset, with the glasses in an in-use position,
 FIG. 2 is a front view of the headset of FIG. 1, with the glasses in an in-use position,
 FIG. 3 is back view of the headset of FIG. 1, with the glasses in an in-use position,
 FIG. 4 is a right side view of the headset of FIG. 1, with the glasses in an in-use position,
 FIG. 5 is a left side view of the headset of FIG. 1, with the glasses in an in-use position,
 FIG. 6 is a top view of the headset of FIG. 1, with the glasses in an in-use position,
 FIG. 7 is a bottom view of the headset of FIG. 1, with the glasses in an in-use position,
 FIG. 8 is a back perspective view of the headset of FIG. 1, with the glasses in a social position,
 FIG. 9 is a front perspective view of the headset, with the glasses in an in-use position, the sole difference being the elimination of the eye box from the design,
 FIG. 10 is a front view of the headset of FIG. 1, with the glasses in an in-use position, the sole difference being the elimination of the eye box from the design,
 FIG. 11 is back view of the headset of FIG. 1, with the glasses in an in-use position, the sole difference being the elimination of the eye box from the design,
 FIG. 12 is a right side view of the headset of FIG. 1, with the glasses in an in-use position, the sole difference being the elimination of the eye box from the design,
 FIG. 13 is a left side view of the headset of FIG. 1, with the glasses in an in-use position, the sole difference being the elimination of the eye box from the design,
 FIG. 14 is a top view of the headset of FIG. 1, with the glasses in an in-use position, the sole difference being the elimination of the eye box from the design,
 FIG. 15 is a bottom view of the headset of FIG. 1, with the glasses in an in-use position; and,
 FIG. 16 is a back view of the headset of FIG. 1, with the glasses in a social position, the sole difference being the elimination of the eye box from the design.
 The broken lines in FIGS. 1-16 are for illustrative purposes only and form no part of the claimed design or a specified embodiment thereof.

1 Claim, 14 Drawing Sheets



(58) **Field of Classification Search**

USPC 351/144; 345/7-9, 905; 455/344;
 348/115, 53, 121, 739
 CPC G02B 27/017; G02B 27/0158; G02B
 27/0161; G02B 27/0181; G02B 27/0185;
 G02B 27/0189

See application file for complete search history.

(56) **References Cited**

U.S. PATENT DOCUMENTS

D785,619 S * 5/2017 Su D14/372
 D791,125 S * 7/2017 Sullivan D14/372
 D791,129 S * 7/2017 Sullivan D14/372
 D798,298 S * 9/2017 Haber D14/372
 D800,117 S * 10/2017 Yee D14/372
 D800,726 S * 10/2017 Su D14/372
 D801,970 S * 11/2017 Sullivan D14/372
 D805,074 S * 12/2017 Hu D14/372
 D806,075 S * 12/2017 Chen D14/372
 D806,710 S * 1/2018 Chen D14/372
 D807,354 S * 1/2018 Yee D14/372

D807,355 S * 1/2018 Tabata D14/372
 D807,356 S * 1/2018 Chou D14/372
 D807,357 S * 1/2018 Wu D14/372
 D807,358 S * 1/2018 Huang D14/372
 D810,743 S * 2/2018 Yee D14/372
 D813,233 S * 3/2018 Lee D14/372
 D815,637 S * 4/2018 Li D14/372
 D819,635 S * 6/2018 Miller D14/372
 D827,015 S * 8/2018 Chen D16/312
 D827,642 S * 9/2018 Liu D14/372
 D834,017 S * 11/2018 Beynel D14/372
 D838,718 S * 1/2019 Chiang D14/372
 D839,269 S * 1/2019 Wang D14/372
 D839,872 S * 2/2019 Wei D14/372
 D840,399 S * 2/2019 Miller D14/372
 10,212,517 B1 * 2/2019 Beltran H04R 5/02
 D842,300 S * 3/2019 Chiang D14/372
 D848,420 S * 5/2019 Boger D14/372
 D849,003 S * 5/2019 Chiang D14/372
 D860,301 S * 9/2019 Chen D16/312
 2012/0033142 A1 * 2/2012 Thomson G02B 7/002
 348/838

* cited by examiner

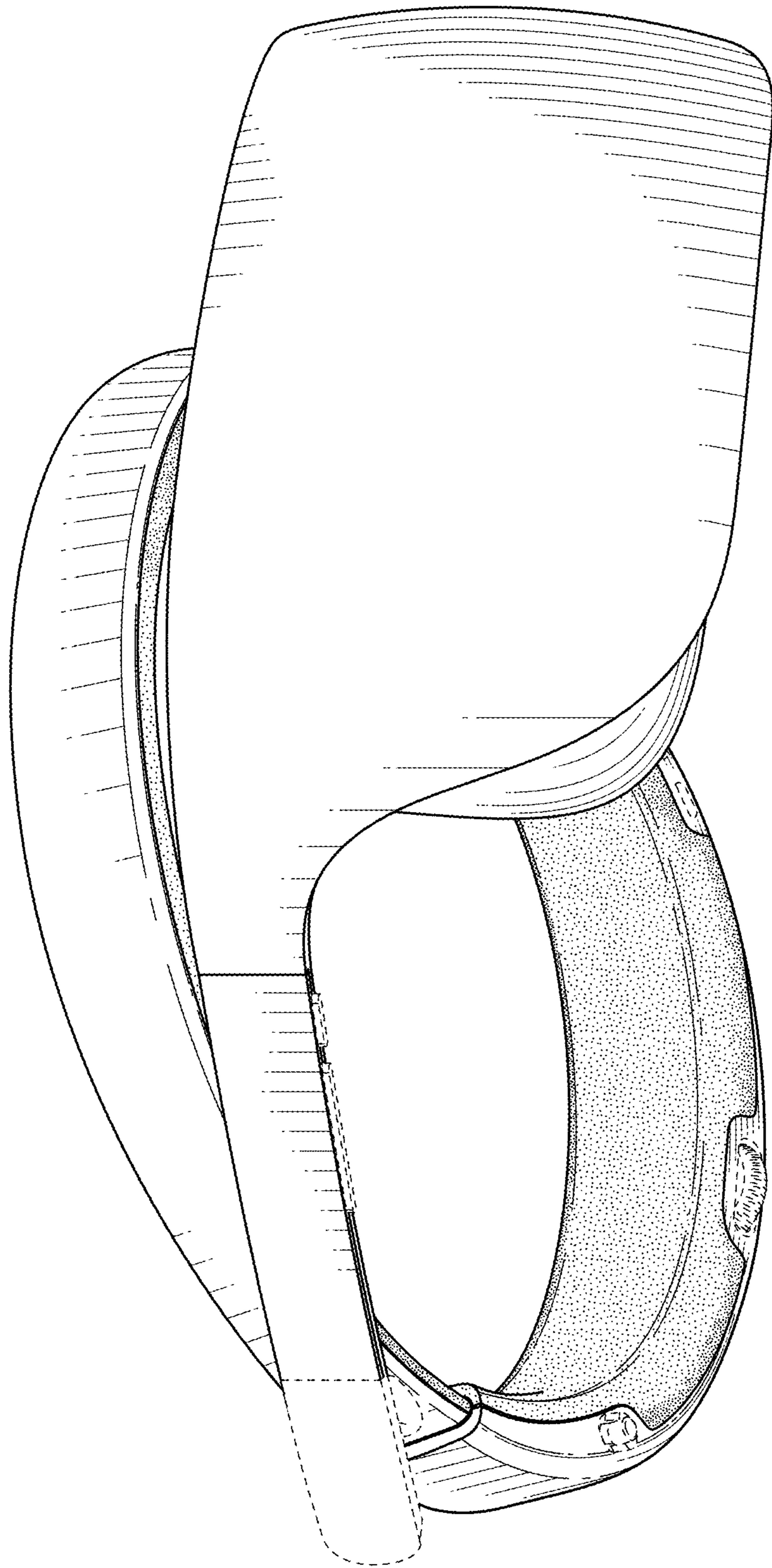


FIG. 1

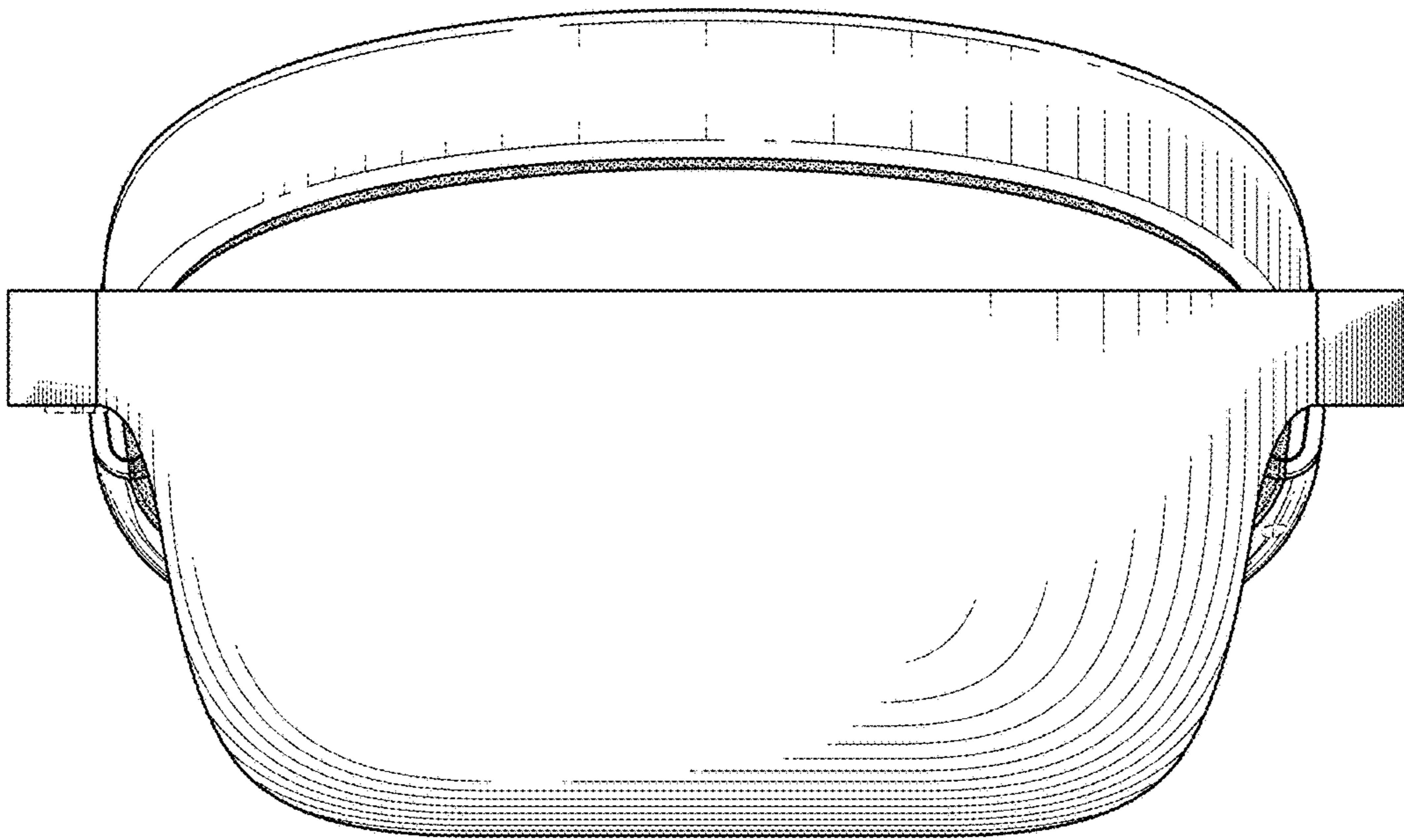


FIG. 2

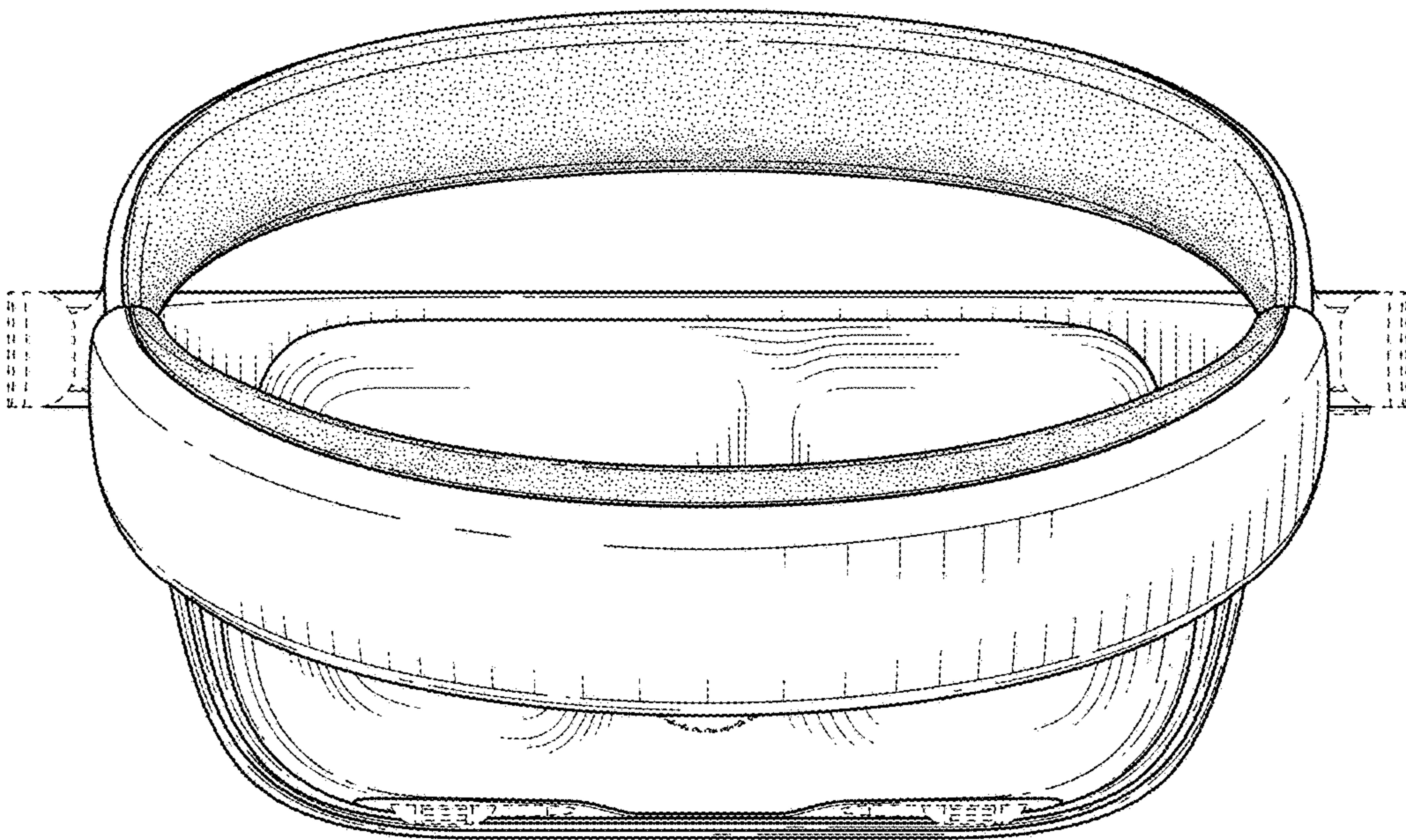


FIG. 3

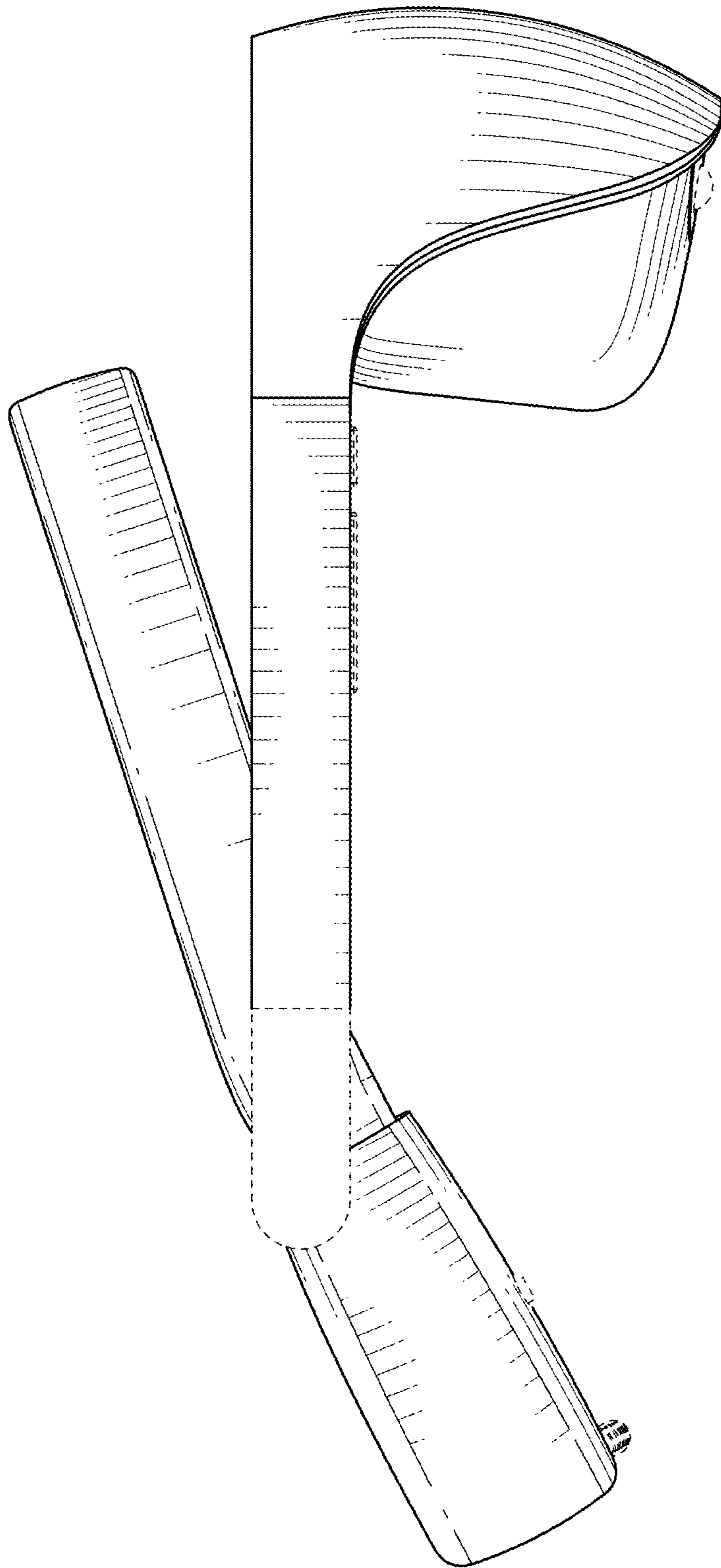


FIG. 4

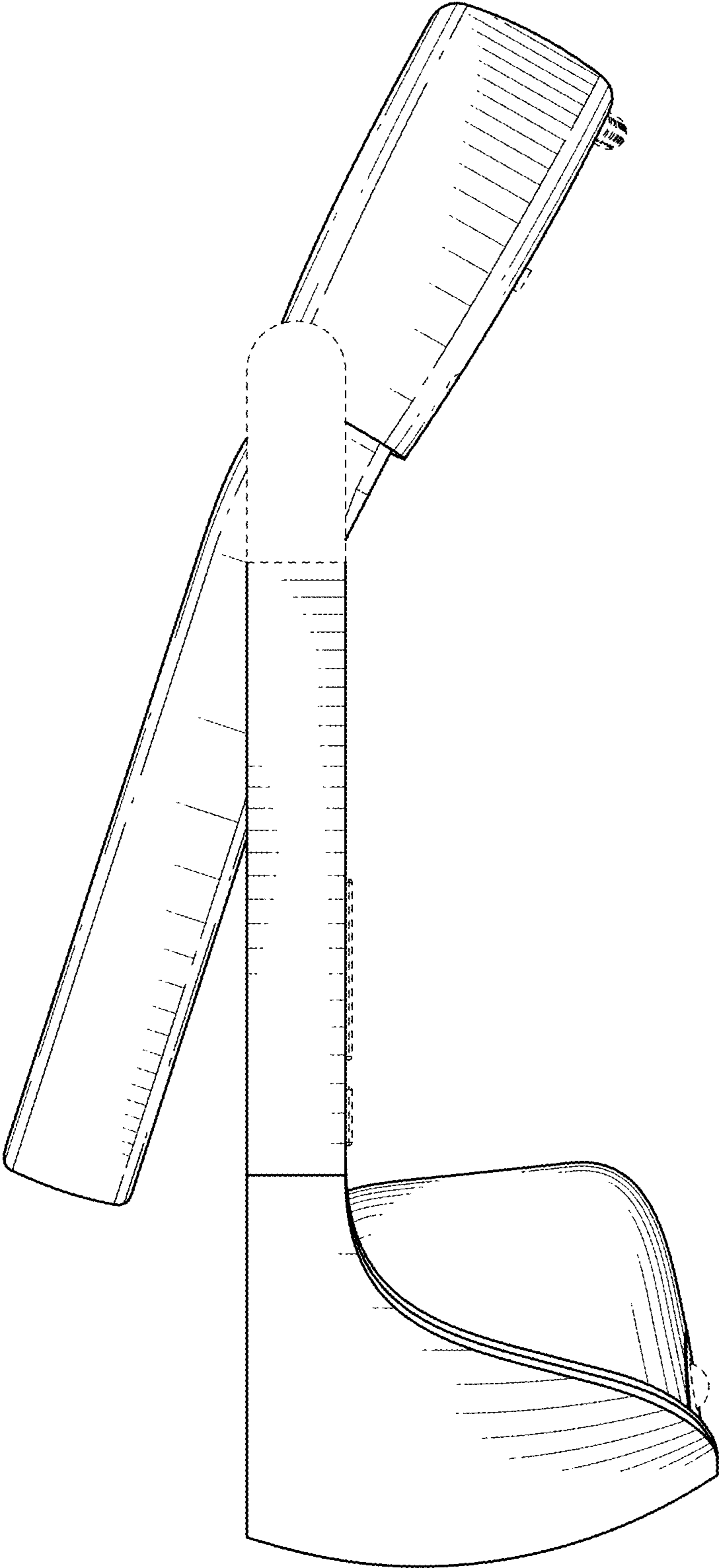


FIG. 5

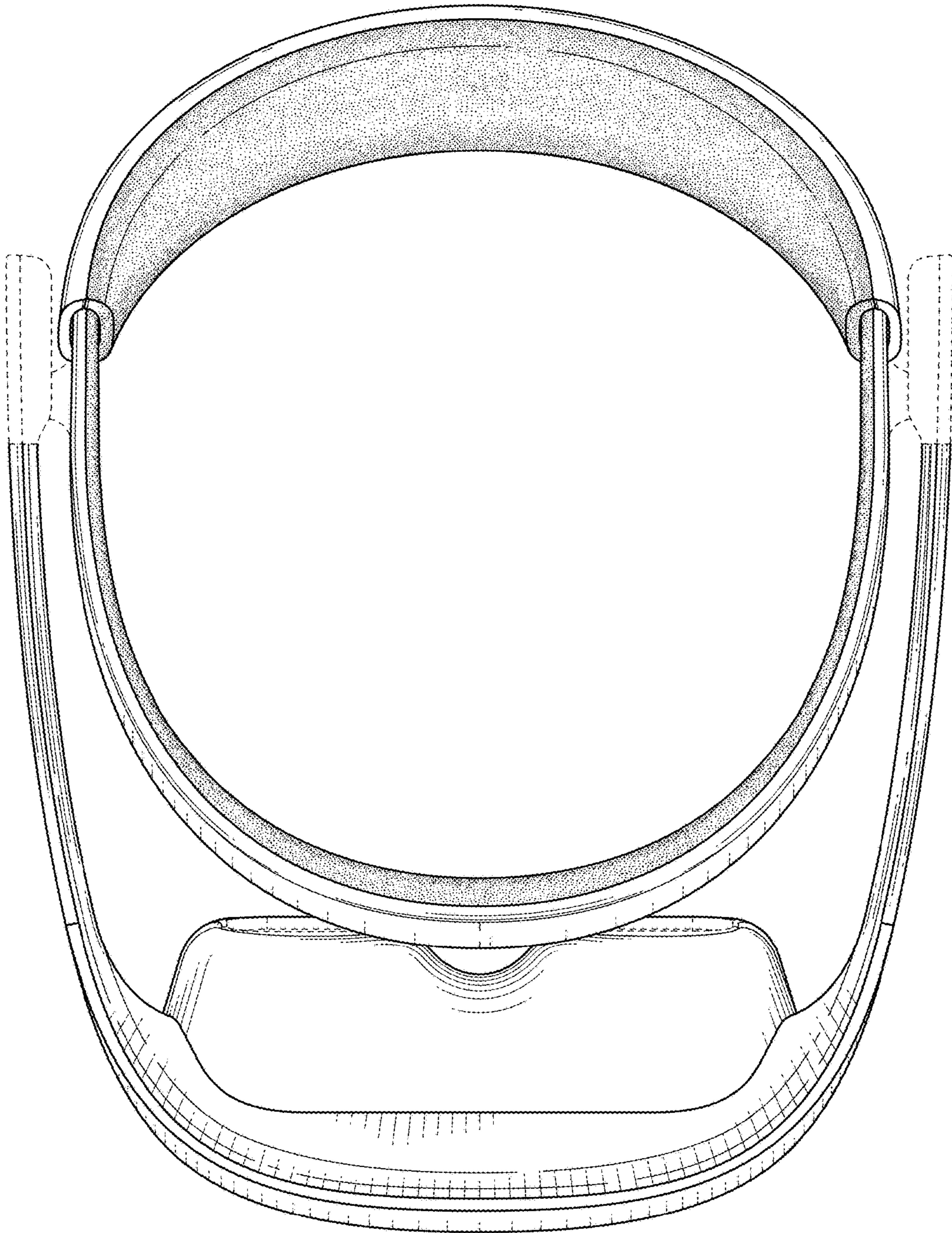


FIG. 6

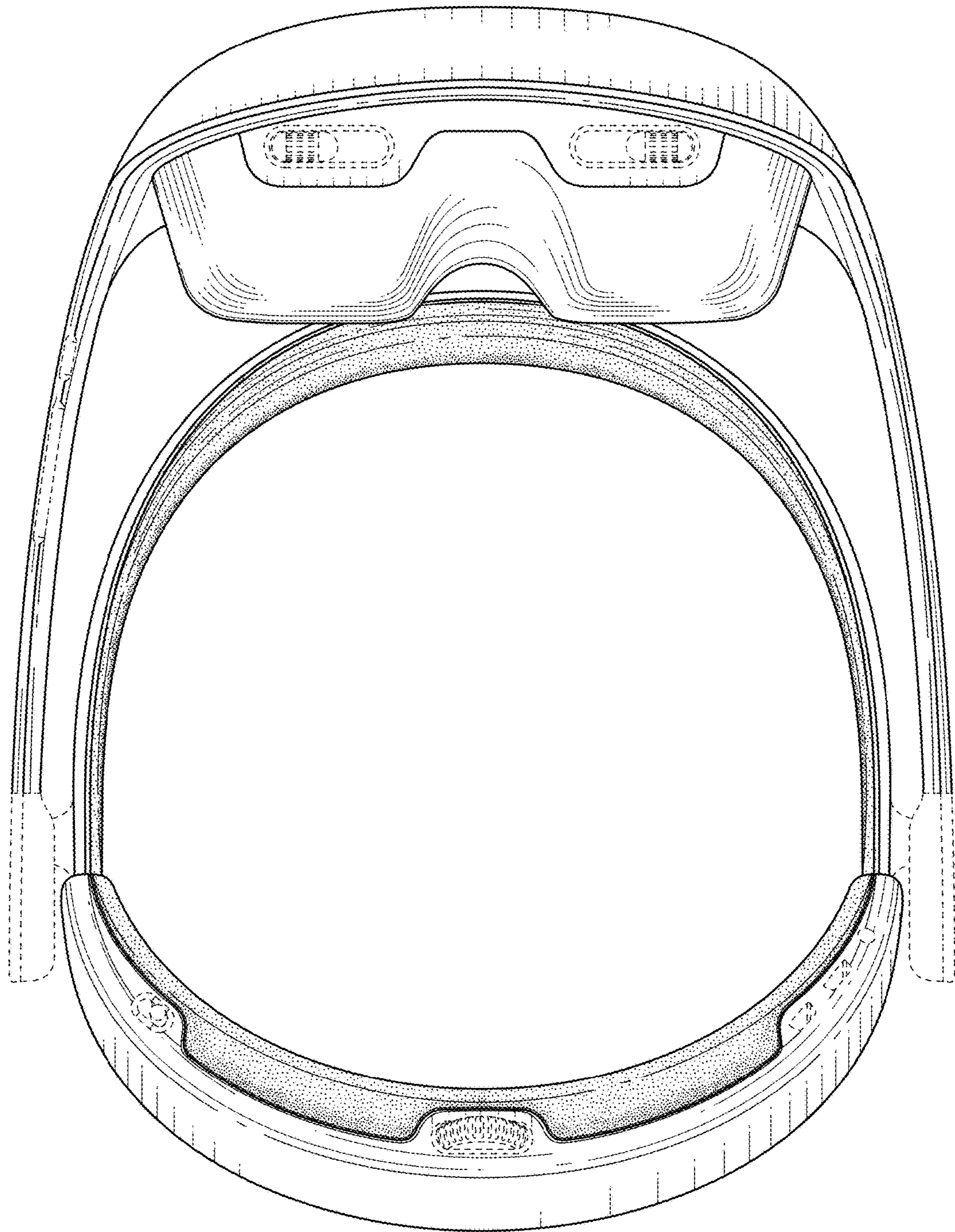


FIG. 7

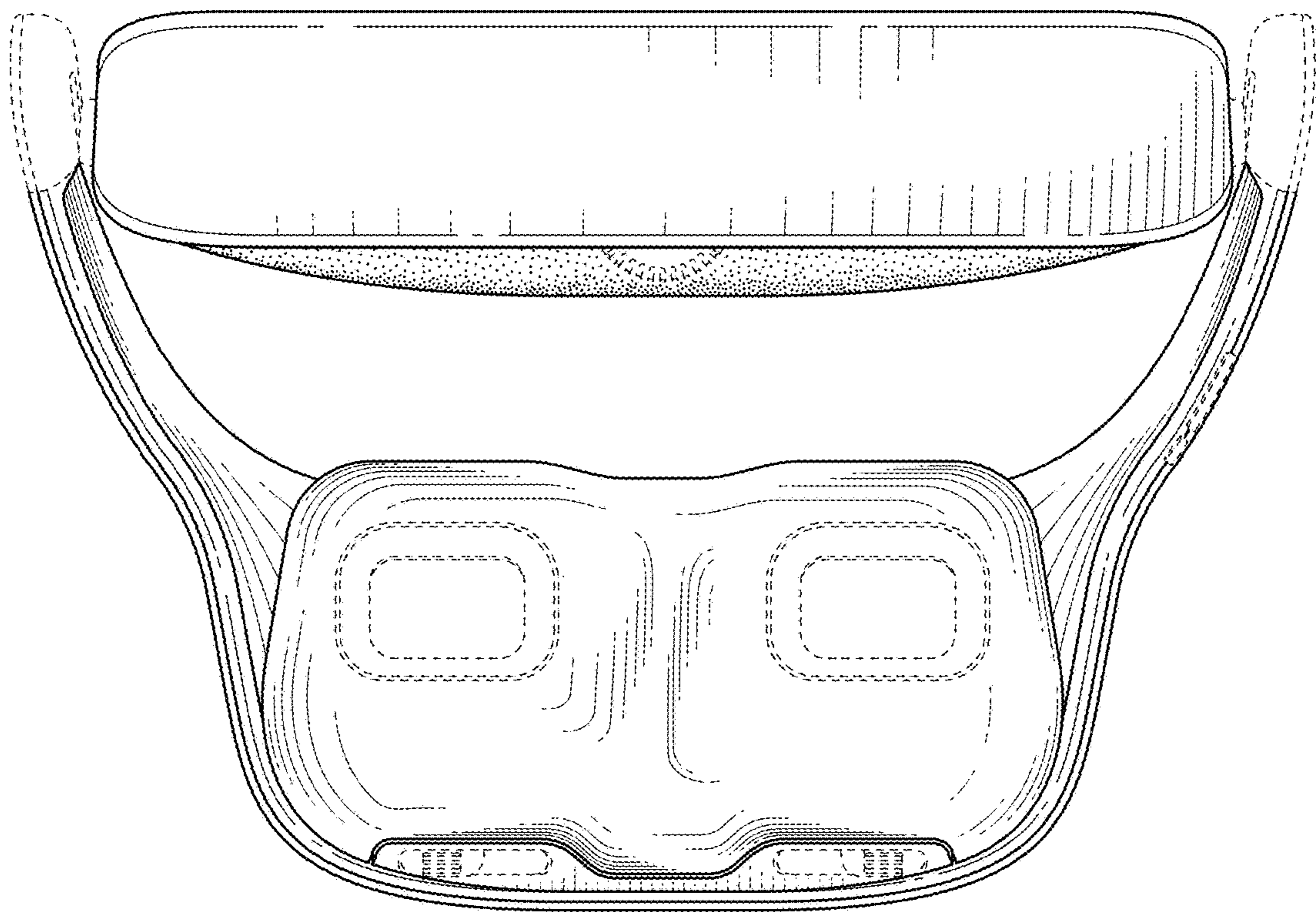


FIG. 8

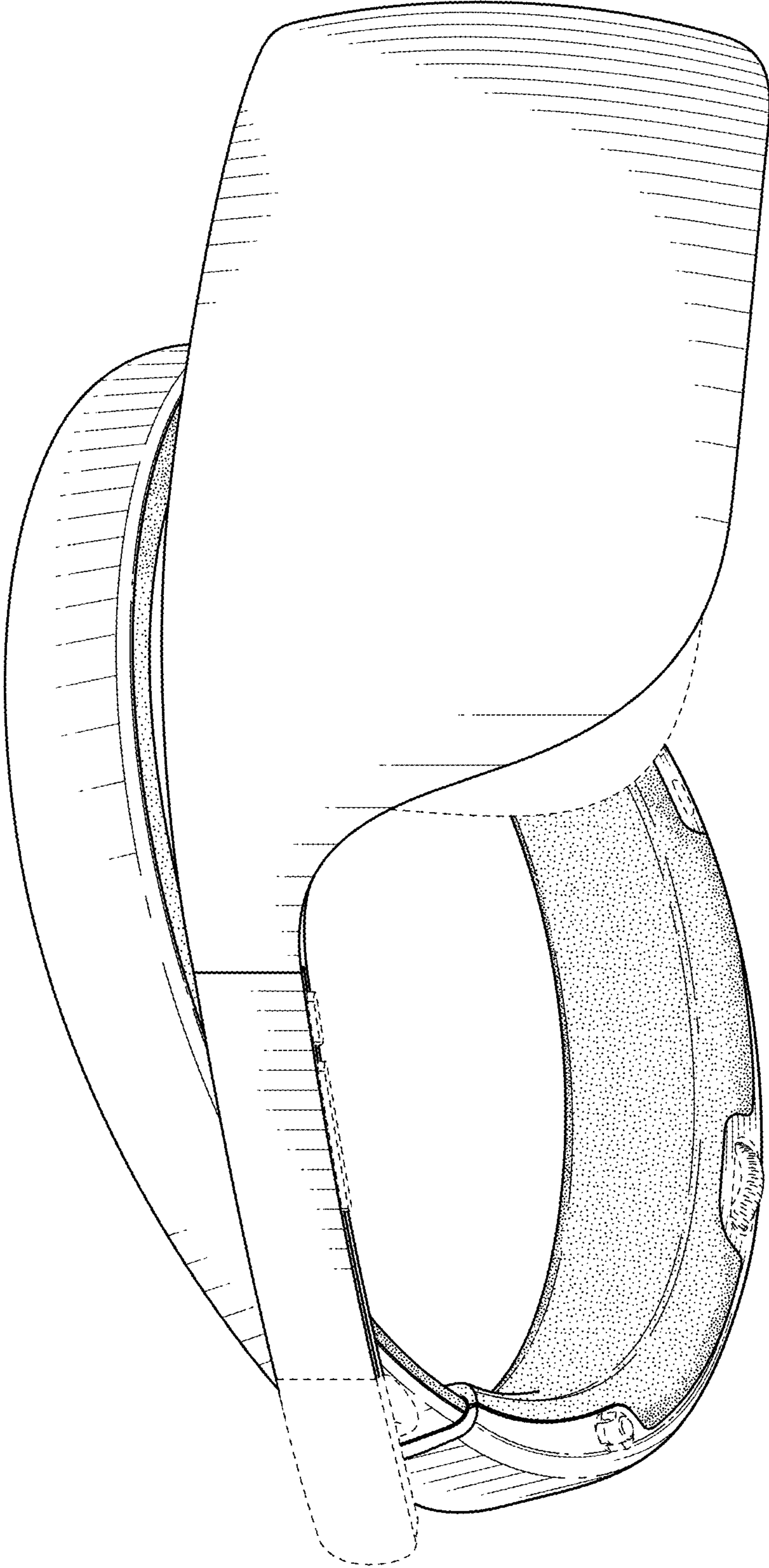


FIG. 9

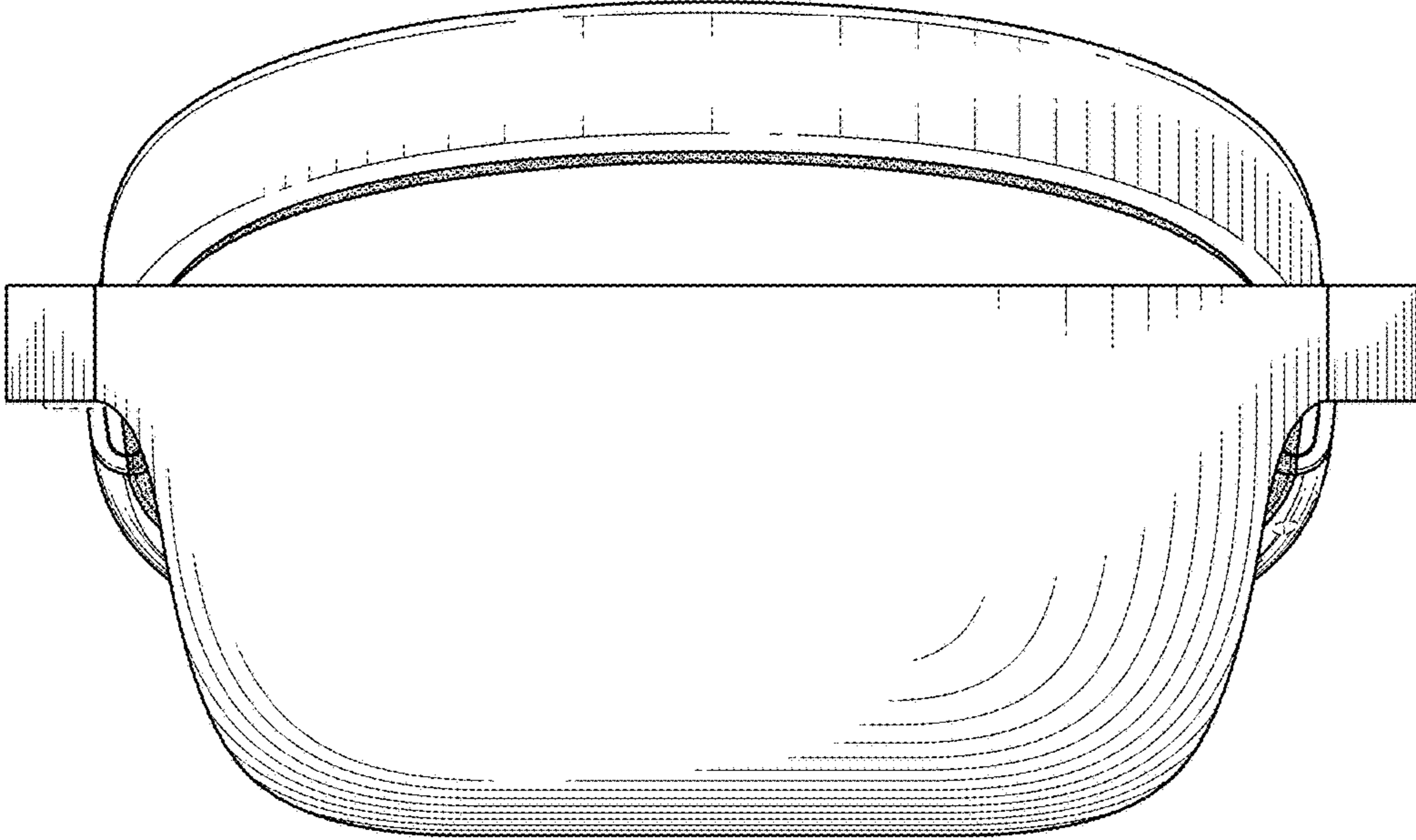


FIG. 10

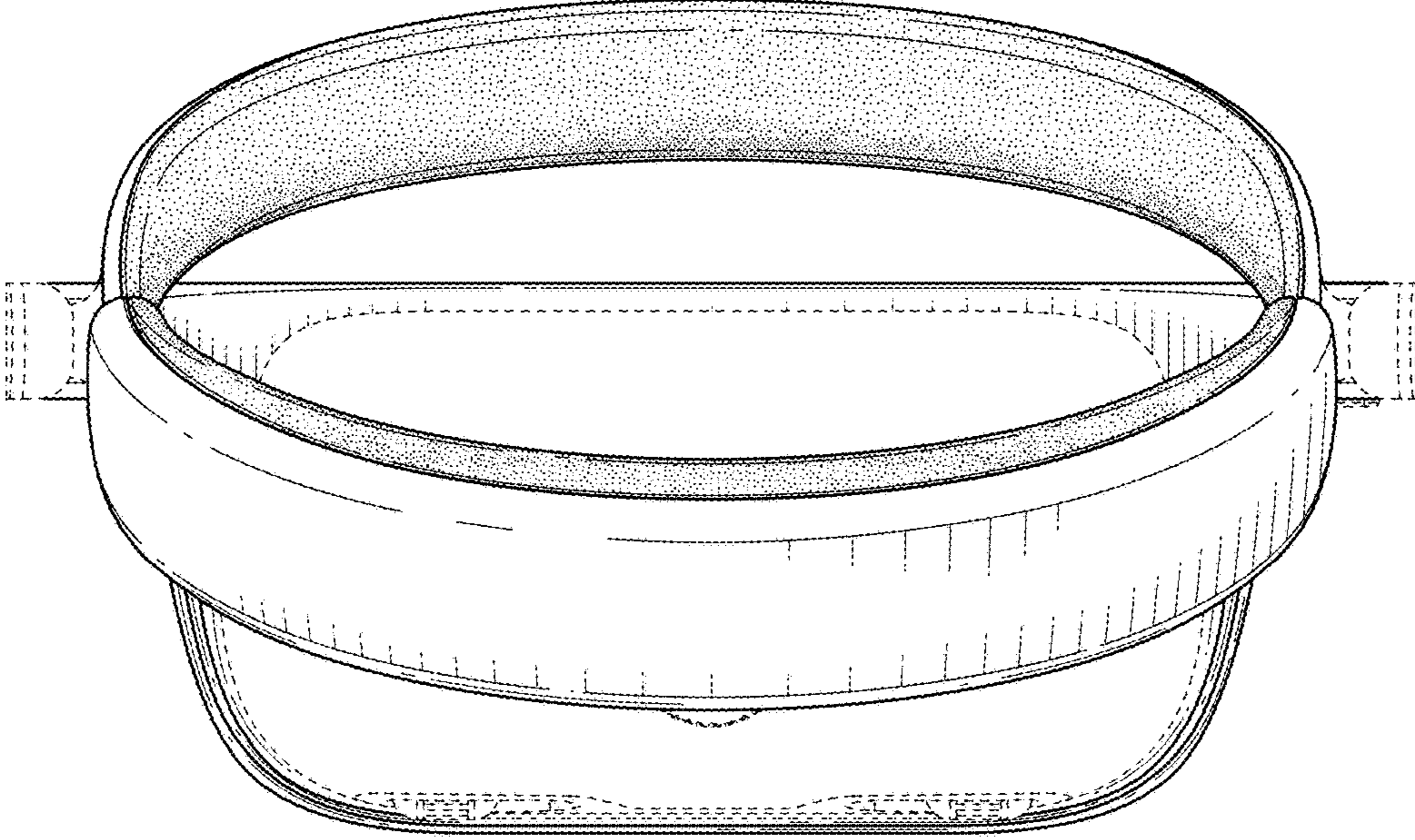


FIG. 11

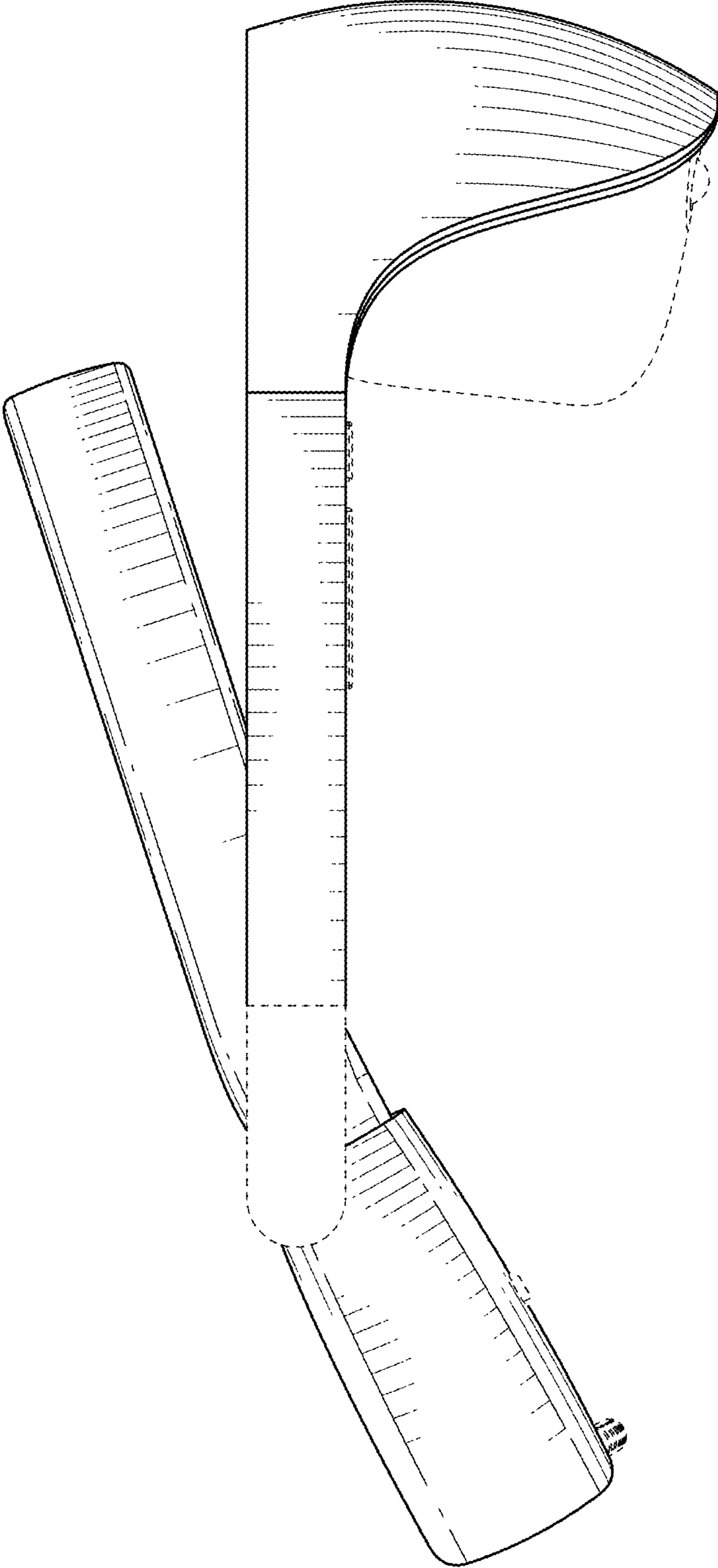


FIG. 12

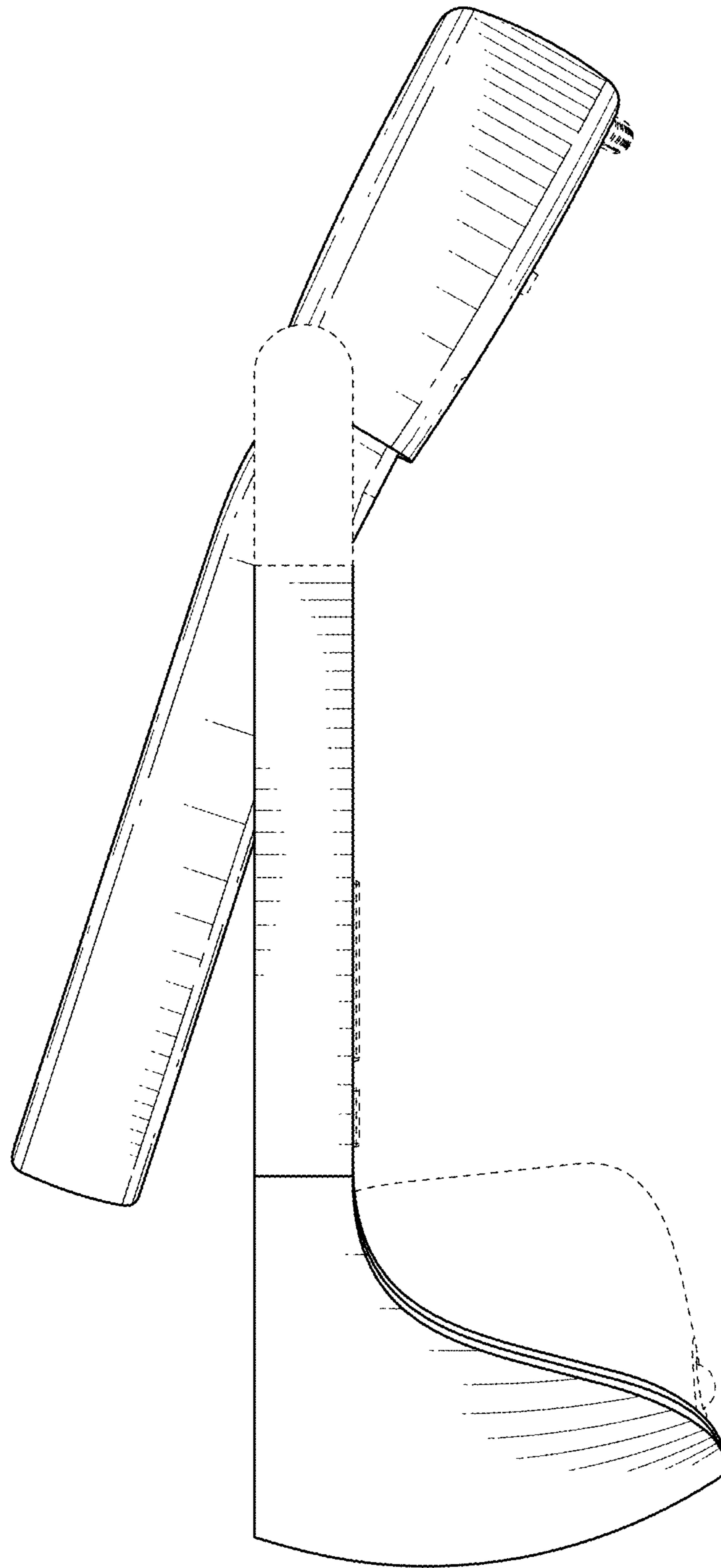


FIG. 13

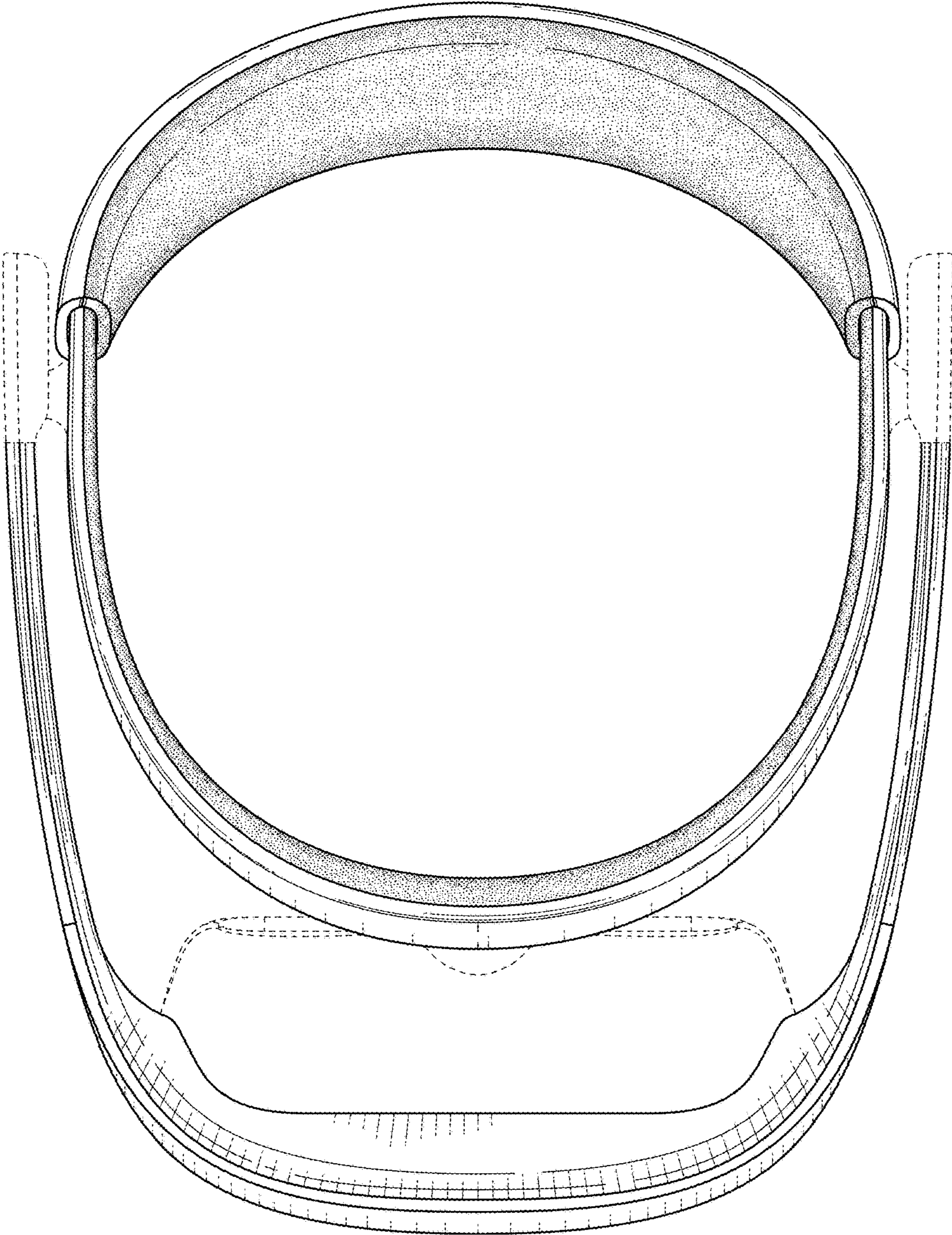


FIG. 14

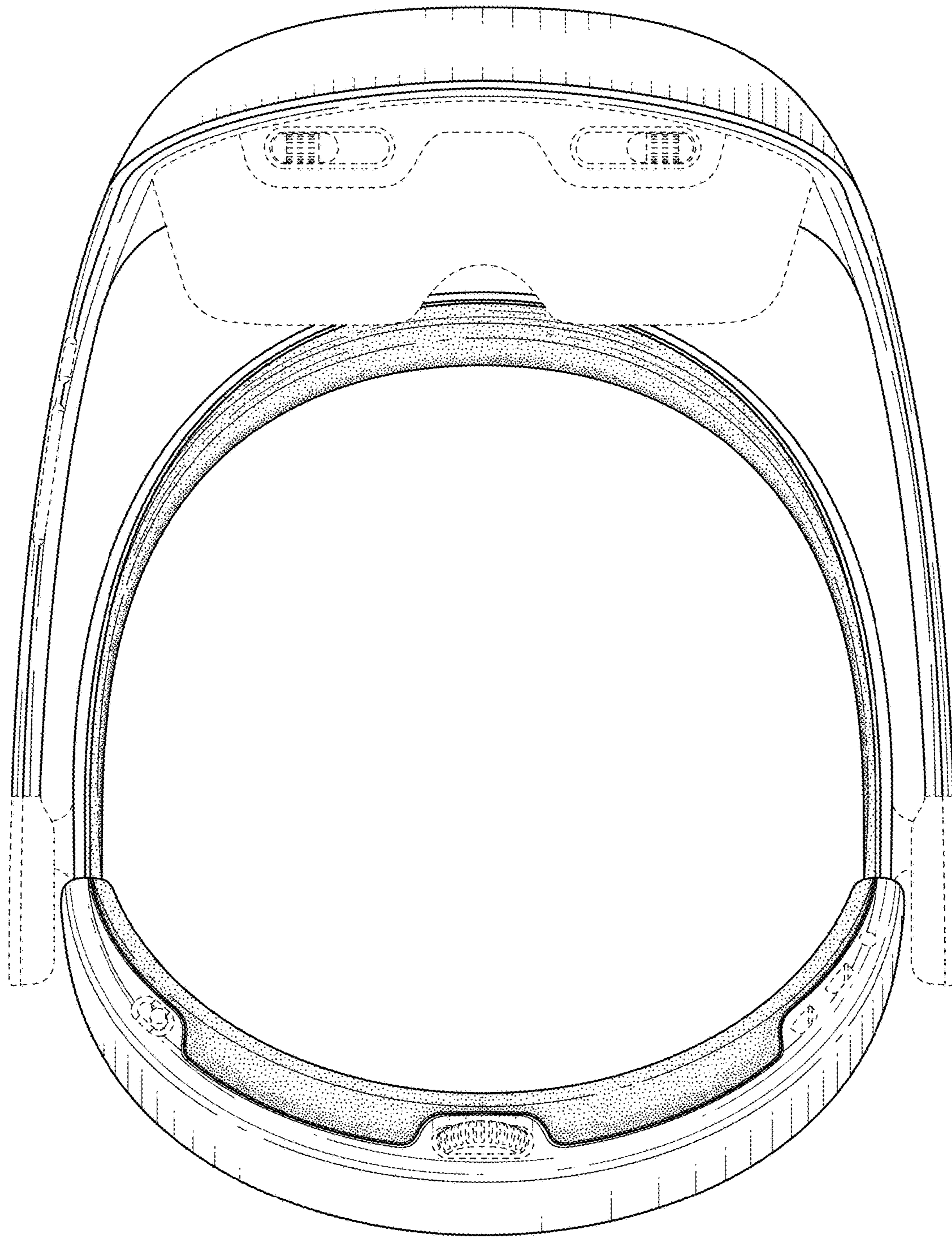


FIG. 15

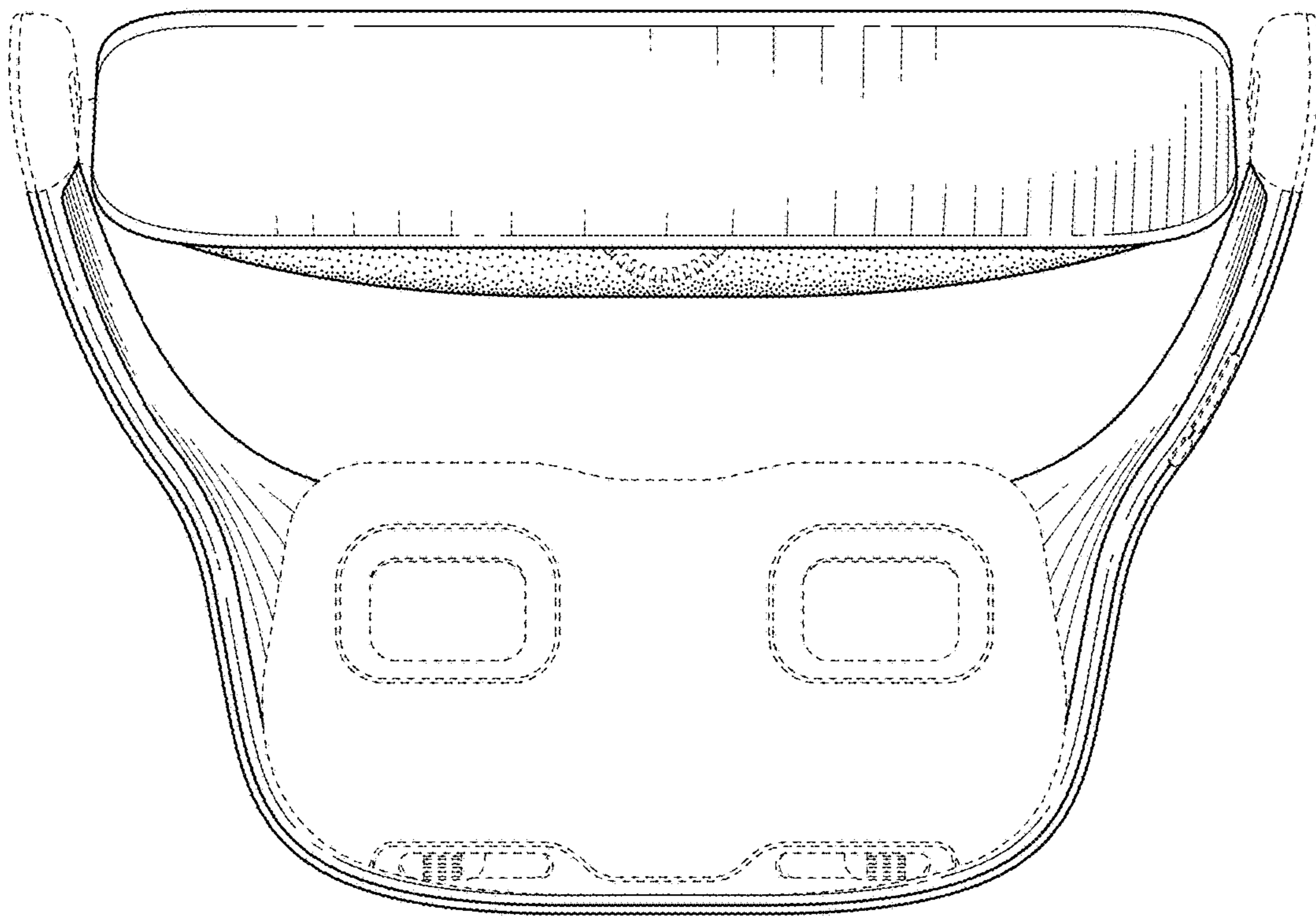


FIG. 16