



US00D86651S

(12) **United States Design Patent**
Choi et al.

(10) **Patent No.:** **US D866,551 S**

(45) **Date of Patent:** **** Nov. 12, 2019**

(54) **NETWORK COMPUTING TERMINAL**

(71) Applicant: **NCOMPUTING CO., LTD.**, Seoul (KR)

(72) Inventors: **Kiho Choi**, Seoul (KR); **Sukwon Kim**, Seoul (KR); **Jong hyuck Lee**, Seoul (KR)

(73) Assignee: **NCOMPUTING CO., LTD.**, Seoul (KR)

(**) Term: **15 Years**

(21) Appl. No.: **29/625,304**

(22) Filed: **Nov. 8, 2017**

(30) **Foreign Application Priority Data**

Oct. 18, 2017 (KR) 30-2017-0048419

(51) **LOC (12) Cl.** **14-02**

(52) **U.S. Cl.**
USPC **D14/356**; D14/314

(58) **Field of Classification Search**
USPC D14/300, 301, 302, 315, 348, 351, 352,
D14/356, 357, 358, 496, 125, 240, 242,
D14/299, 432, 433, 434, 435.1, 314;
D13/162, 162.1
CPC G06F 1/16; G06F 1/1613; G06F 1/1633;
G06F 2200/1638
See application file for complete search history.

(56) **References Cited**

U.S. PATENT DOCUMENTS

D218,788 S * 9/1970 Press, Jr. D10/121
D246,368 S * 11/1977 Barnich D14/314
D346,159 S * 4/1994 Matsuda D14/314
D431,230 S * 9/2000 Began D13/184
D470,450 S * 2/2003 Olzak D14/168
D521,001 S * 5/2006 Xiao D14/356
D556,199 S * 11/2007 Song D14/357

D580,407 S * 11/2008 Tanaka D14/188
D585,439 S * 1/2009 Ching D14/300
D590,827 S * 4/2009 Song D14/356
D594,864 S * 6/2009 Song D14/358
D623,636 S * 9/2010 Luonsinen D14/240

(Continued)

OTHER PUBLICATIONS

Top 15 Best Raspberry Pi Cases Worth Buying. 15 Great Raspberry Pi Cases. beebom.com. (online) 18 pgs. Listed: Jan. 16, 2016. [Retrieved on May 22, 2019] <https://beebom.com/raspberry-pi-cases/>.*

(Continued)

Primary Examiner — Marie D. Fast Horse

(74) *Attorney, Agent, or Firm* — Birch, Stewart, Kolasch & Birch, LLP

(57) **CLAIM**

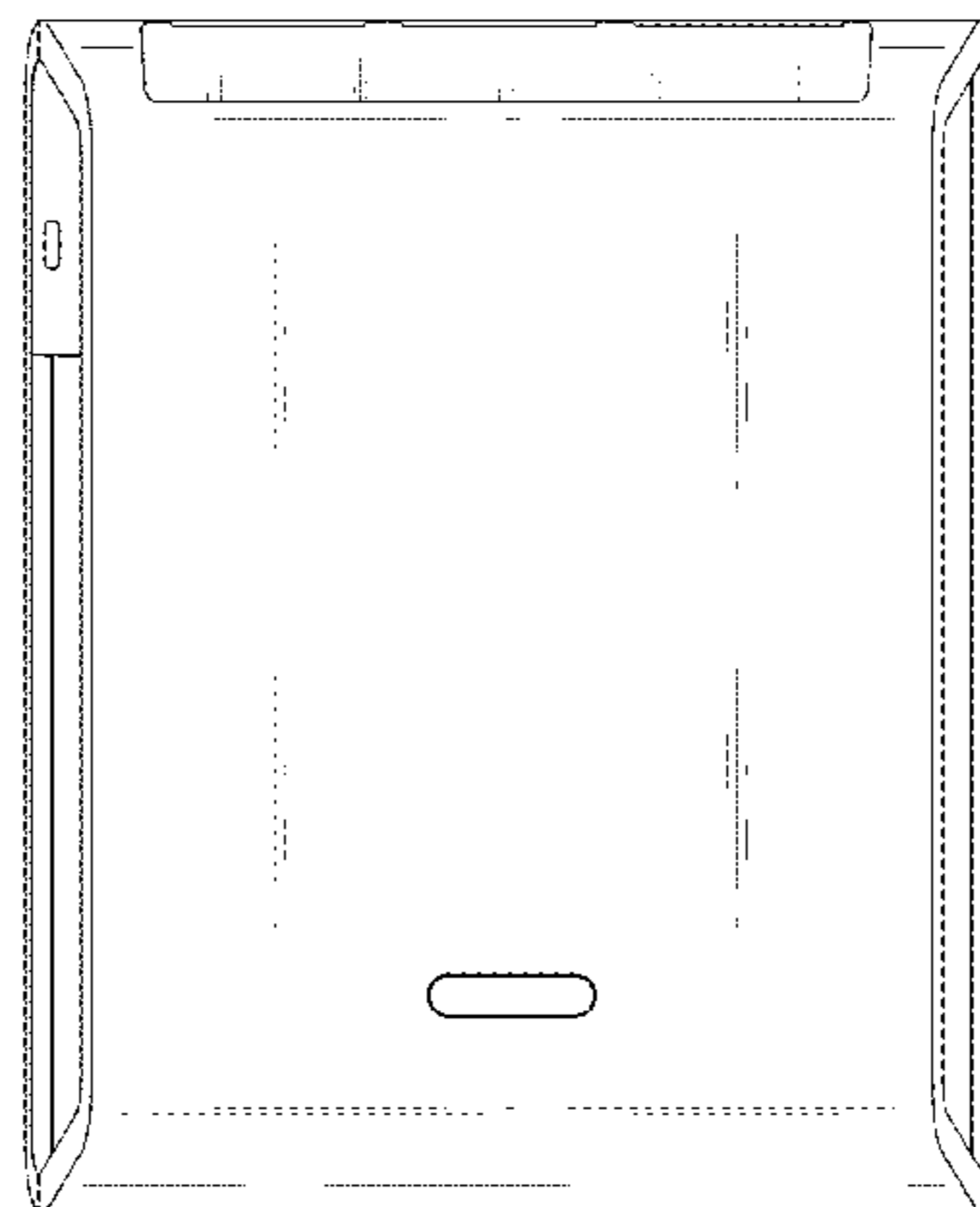
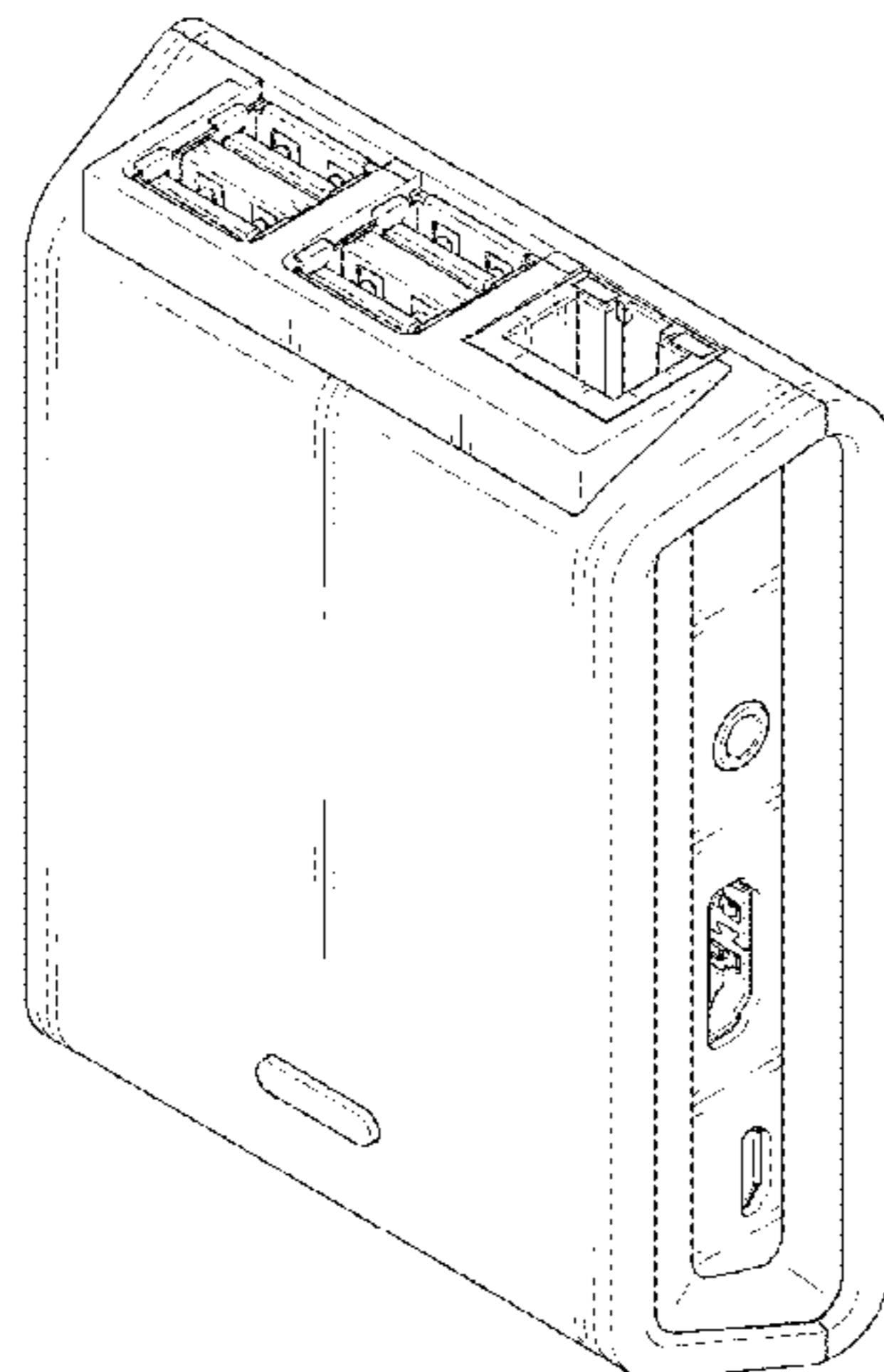
The ornamental design for a network computing terminal, as shown and described.

DESCRIPTION

FIG. 1 is a front, right side, perspective view of a network computing terminal showing our new design;
FIG. 2 is a front view thereof;
FIG. 3 is a rear view thereof;
FIG. 4 is a left side view thereof;
FIG. 5 is a right side view thereof;
FIG. 6 is a top view thereof;
FIG. 7 is a bottom view thereof; and,
FIG. 8 is another front, right side, perspective view thereof, showing the network computing terminal in a position of use with a cradle.

The broken line cradle in FIG. 8 depicts environmental structure only and forms no part of the claimed design; while all other broken lines in the drawings depict portions of the network computing terminal that form no part of the claimed design.

1 Claim, 7 Drawing Sheets



(56)

References Cited

U.S. PATENT DOCUMENTS

D635,533 S * 4/2011 Cho D14/125
 D641,019 S * 7/2011 Chen D14/356
 D650,377 S * 12/2011 Akana D14/314
 D654,496 S * 2/2012 Chen D14/314
 D657,784 S * 4/2012 Akana D14/314
 D660,834 S * 5/2012 Akana D14/314
 D680,534 S * 4/2013 Tzeng D14/358
 D680,536 S * 4/2013 Tzeng D14/358
 D683,439 S * 5/2013 Choi D23/364
 D685,752 S * 7/2013 Kimura D14/125
 D702,677 S * 4/2014 Choi D14/314
 D704,184 S * 5/2014 Chen D14/314
 D718,271 S * 11/2014 McTague D14/496
 D718,288 S * 11/2014 Wang D14/358
 D718,752 S * 12/2014 Wang D14/358
 D719,153 S * 12/2014 Lim D14/356
 D720,347 S * 12/2014 Lo D14/348
 D730,351 S * 5/2015 Lee D14/358
 D746,290 S * 12/2015 Spinella D14/433
 D749,560 S * 2/2016 Hallar D14/301
 D753,100 S * 4/2016 Magi D14/314
 D756,991 S * 5/2016 Day D14/314
 D763,262 S * 8/2016 Hallar D14/434

D789,352 S * 6/2017 Kong D14/314
 D804,534 S * 12/2017 Gardner D14/496
 D804,535 S * 12/2017 Gardner D14/496
 D808,915 S * 1/2018 Wang D14/125
 D809,566 S * 2/2018 Gardner D14/496
 D816,659 S * 5/2018 Latta D14/314
 D821,386 S * 6/2018 Dou D14/314
 D831,598 S * 10/2018 Jiang D14/125
 D836,092 S * 12/2018 Erbacher D14/242
 D836,093 S * 12/2018 Burgess D14/242
 D836,619 S * 12/2018 Yokoyama D14/240
 10,292,296 B1 * 5/2019 Wurmfeld G06F 1/184
 2019/0141848 A1 * 5/2019 Sung G06F 1/16

OTHER PUBLICATIONS

“NComputing launches RX300, a cloud-ready thin client built on Raspberry Pi 3”, total of 8 pages.
 Charles McLellan, “NComputing launches a Raspberry Pi—based thin client”, Feb. 22, 2017, total of 4 pages.
 Moritz Förster, “RX300: NComputing stellt Thin Client mit Raspberry Pi vor”, Feb. 24, 2017, total of 3 pages.
 Nick Heath, “Windows 10 desktop on the Raspberry Pi: NComputing launches \$99 RX300”, Feb. 22, 2017, total of 6 pages.

* cited by examiner

FIG. 1

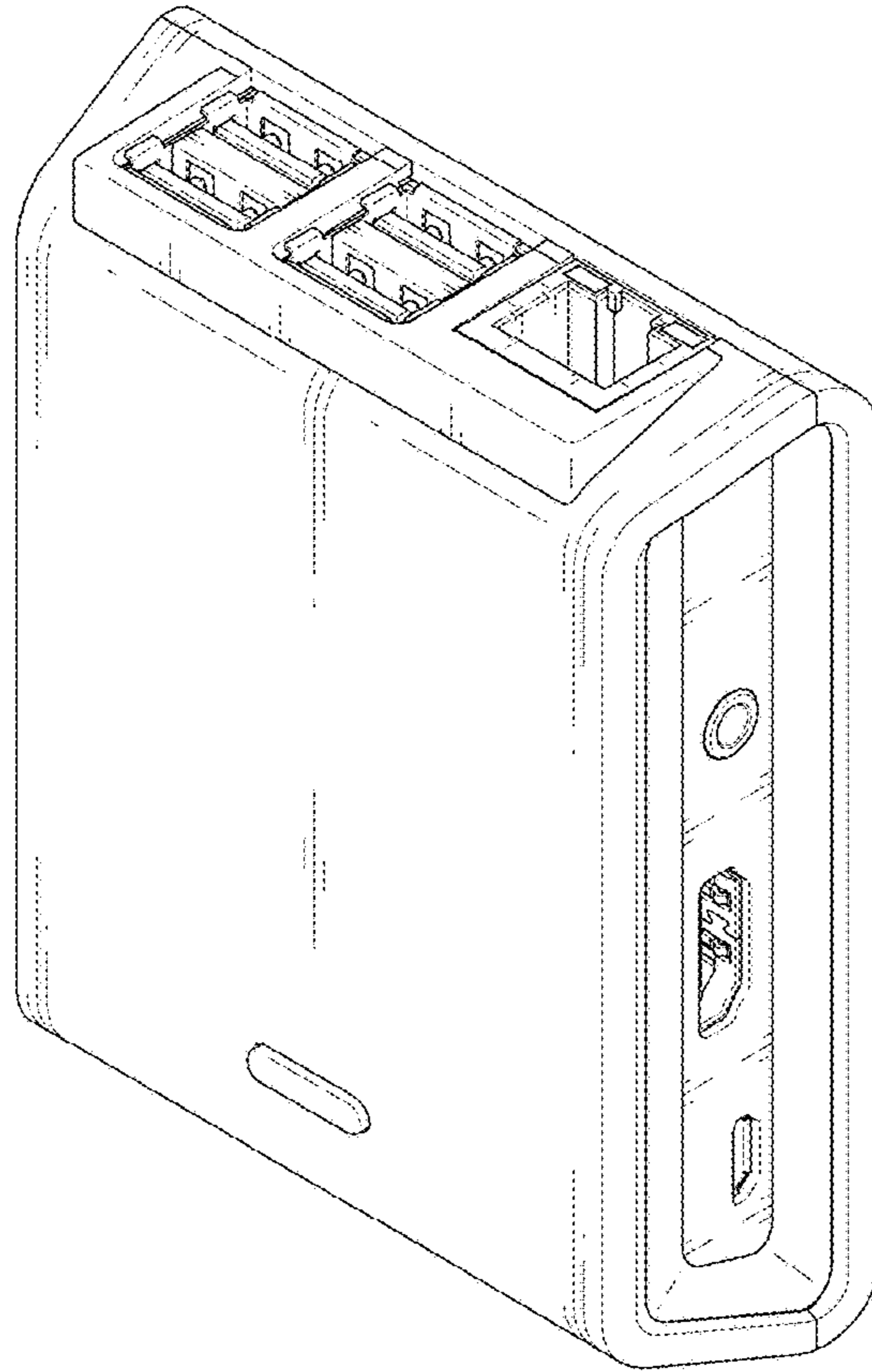


FIG. 2

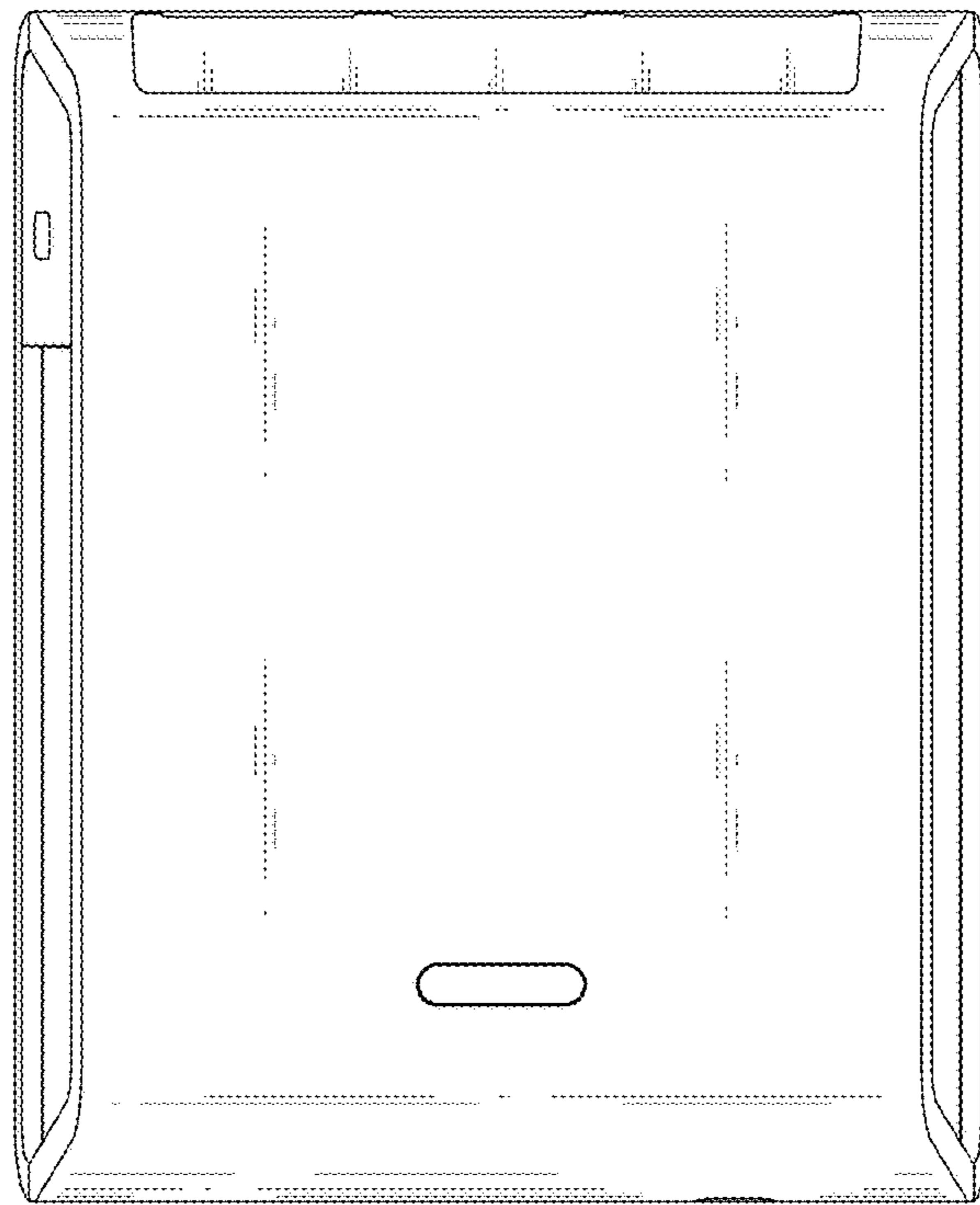


FIG. 3

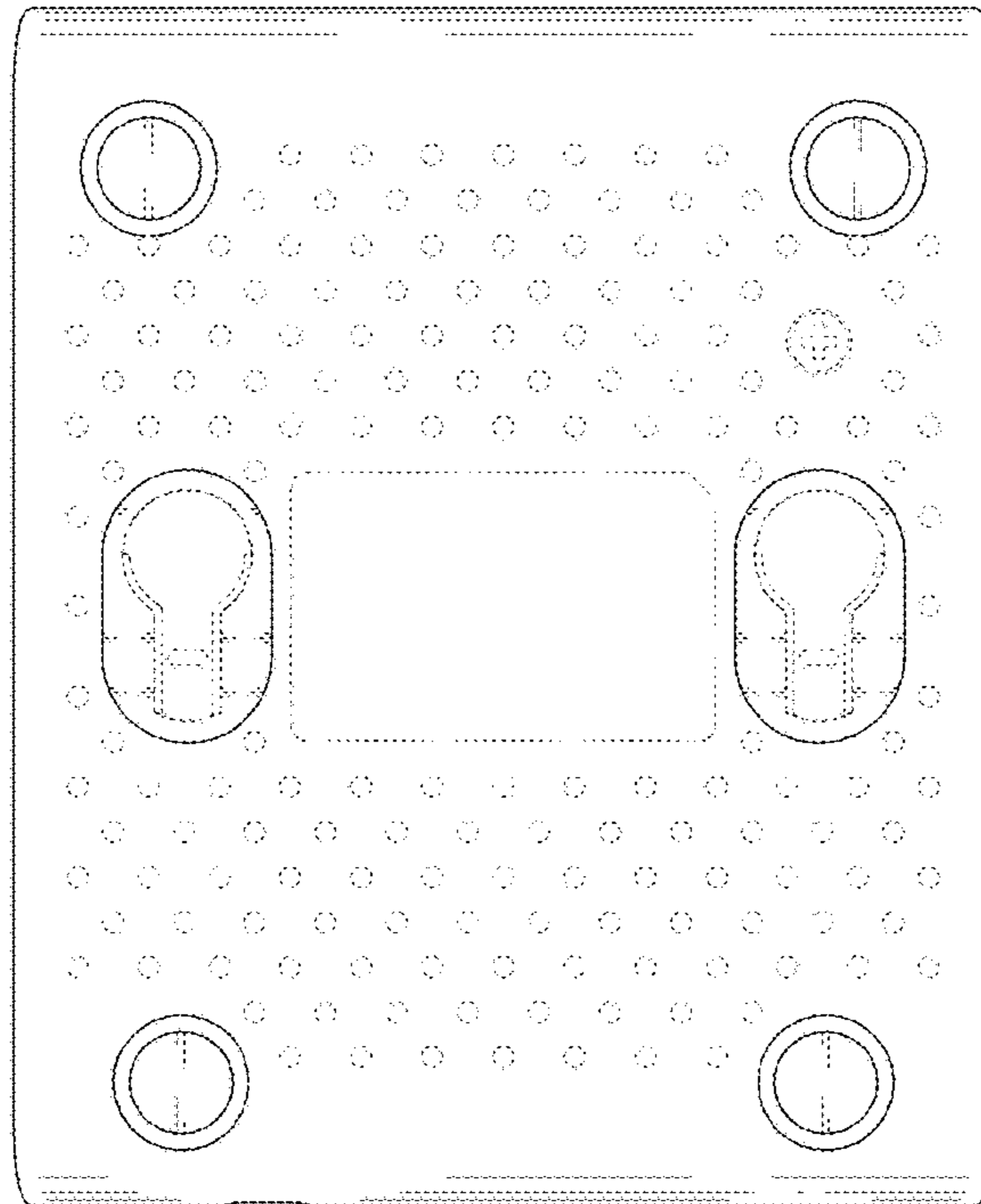


FIG. 4

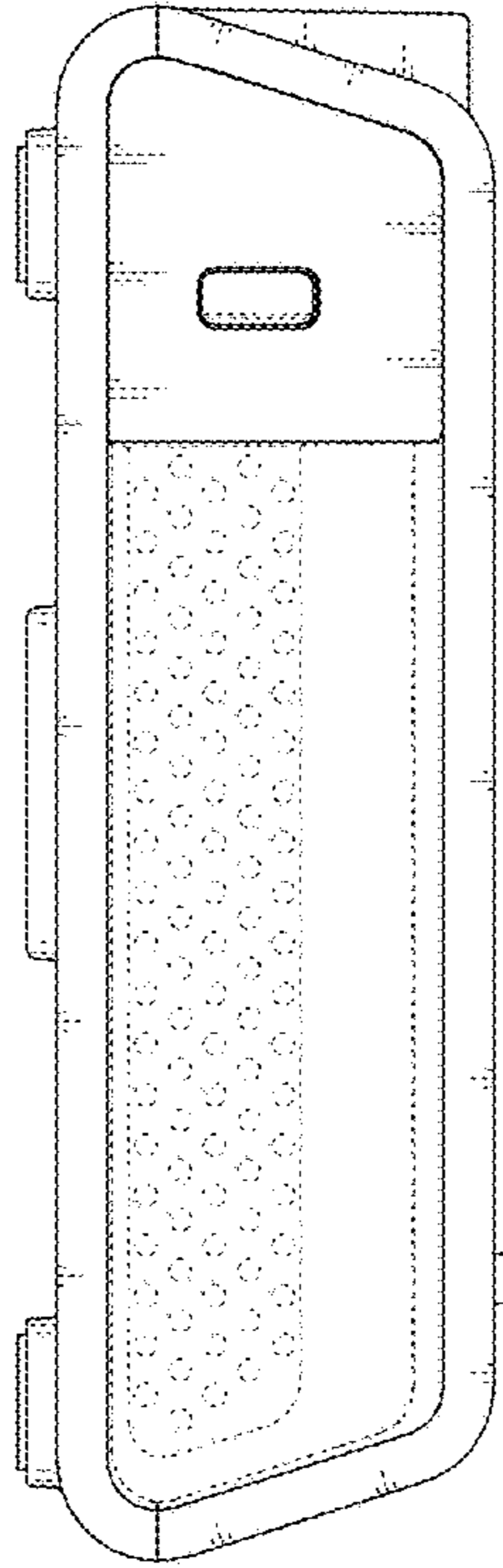


FIG. 5

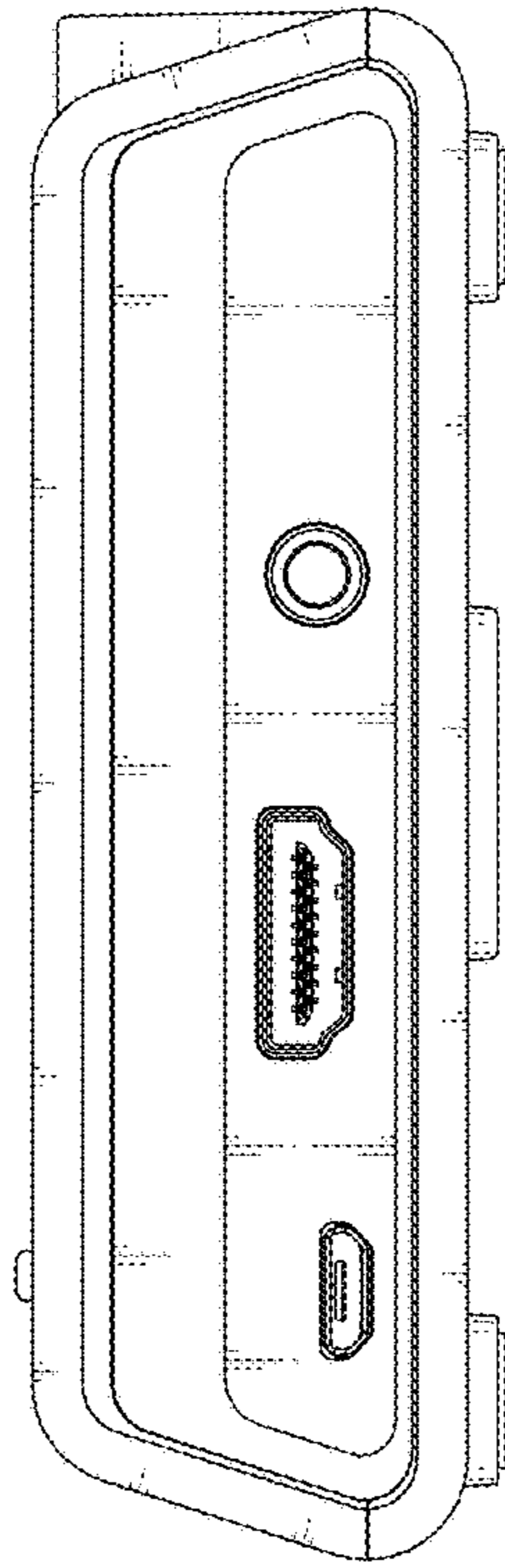


FIG. 6

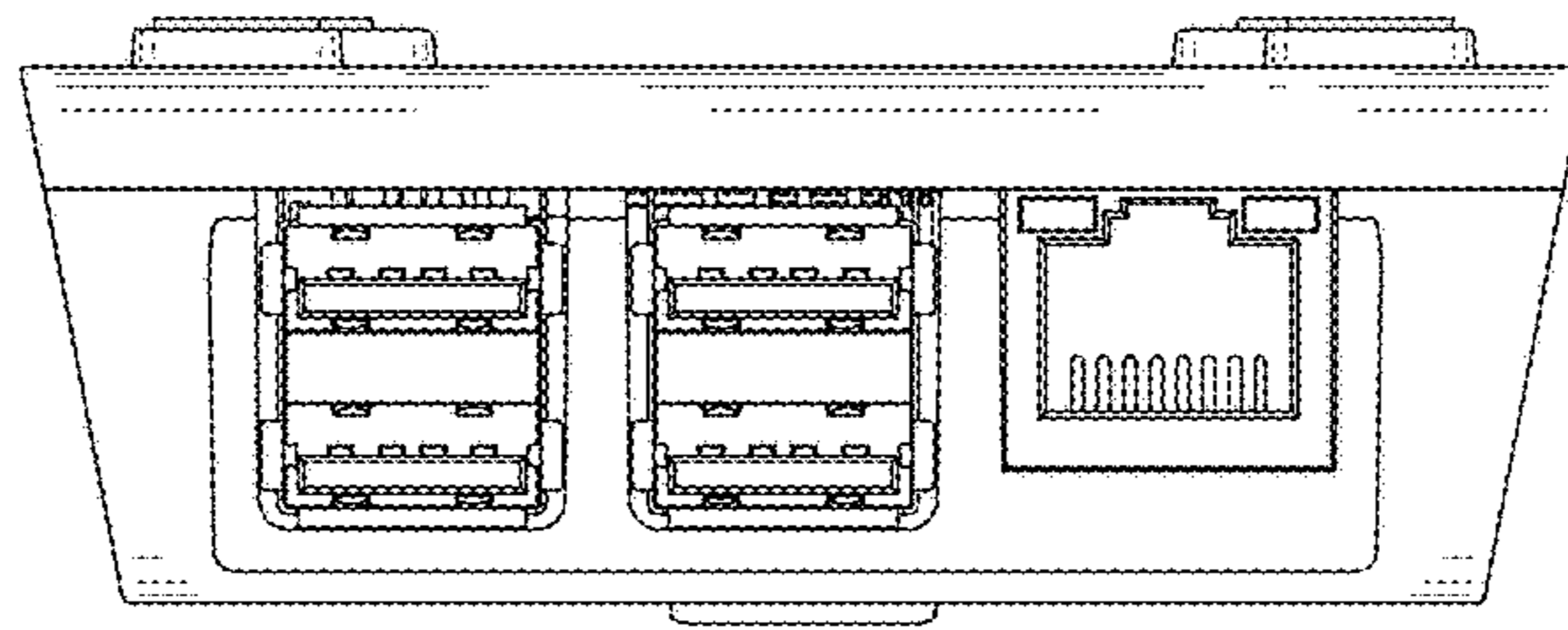


FIG. 7

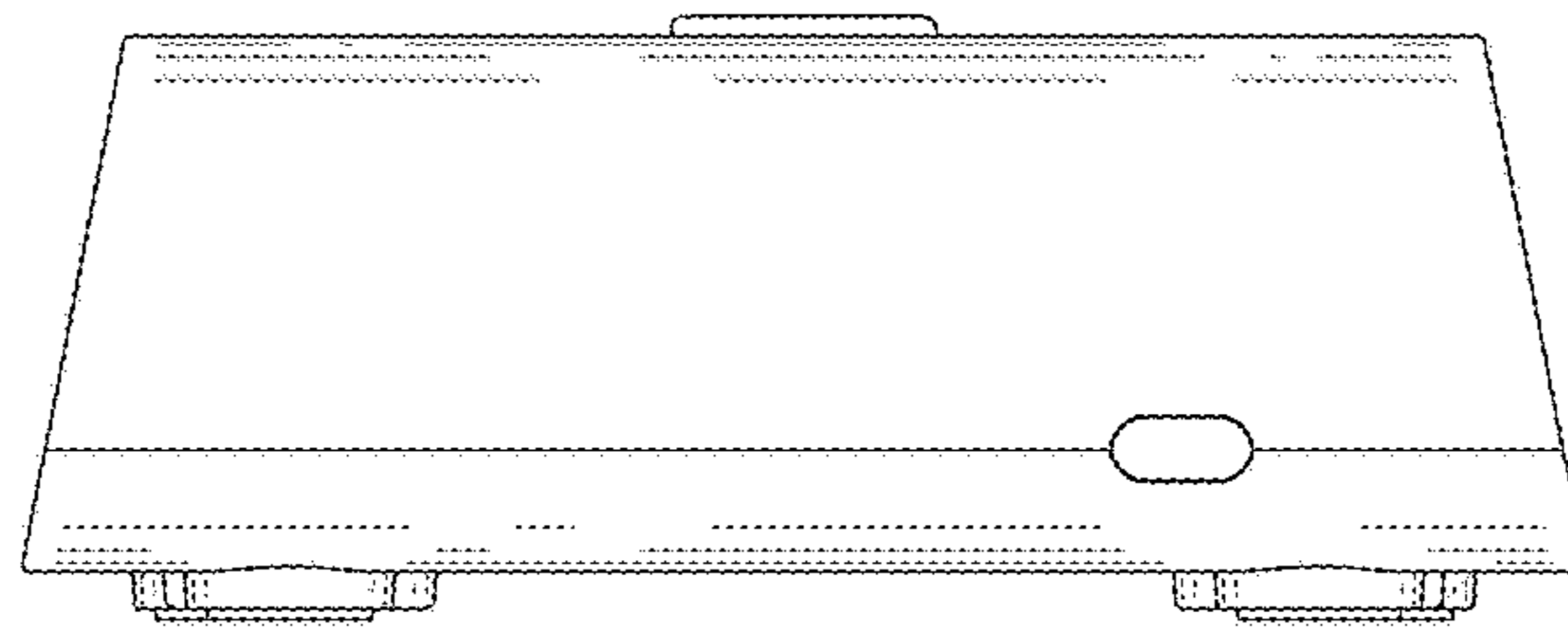


FIG. 8

