

US00D866548S

(12) **United States Design Patent**
Tan

(10) **Patent No.:** **US D866,548 S**

(45) **Date of Patent:** **** Nov. 12, 2019**

(54) **PHONE HOLDER**

(71) Applicant: **Shenzhen Qidian Electronic Technology Co., Ltd., Shenzhen (CN)**

(72) Inventor: **Tianying Tan, Shenzhen (CN)**

(73) Assignee: **SHENZHEN QIDIAN ELECTRONIC TECHNOLOGY CO., LTD., Shenzhen (CN)**

(**) Term: **15 Years**

(21) Appl. No.: **29/654,974**

(22) Filed: **Jun. 28, 2018**

(51) **LOC (12) Cl.** **14-99**

(52) **U.S. Cl.**
USPC **D14/253; D12/415**

(58) **Field of Classification Search**
USPC D14/250-254, 217, 224, 224.1, 238.1, D14/299, 434, 447, 451-452, 483; D12/400, 415-426, 426.1, 114, 223; D16/242, 245; D10/74; D3/218; D13/107, 108; D8/363, 382, 387
CPC B60R 11/00; B60R 11/02; B60R 11/0241; B60R 11/0252; B60R 2011/0003; B60R 2011/0005; B60R 2011/0008; H04M 1/04; H04B 1/3877; A45F 2200/0516; A45F 2200/0525; H05K 5/0204; F16M 13/02; F16M 13/022; F16M 11/04; F16M 11/041; F16M 11/14; F16M 11/22; F16B 2/12; H01F 7/0252; G03B 17/561
See application file for complete search history.

(56) **References Cited**

U.S. PATENT DOCUMENTS

D369,958 S * 5/1996 Huang D8/382
D570,836 S * 6/2008 Chen D14/253
D652,836 S * 1/2012 Voorhees D14/238.1

D696,259 S * 12/2013 Howarth D14/447
D703,657 S * 4/2014 Carnevali D14/253
D704,199 S * 5/2014 Byun D14/447
D708,187 S * 7/2014 Xiang D14/447
D712,394 S * 9/2014 Booth D14/253
D713,398 S * 9/2014 Alesi D14/253
D725,660 S * 3/2015 Trotsky D14/447
D780,168 S * 2/2017 Du D14/253
D783,593 S * 4/2017 Chen D14/253
D852,188 S * 6/2019 He D14/253
D856,344 S * 8/2019 Wengreen D14/447
D859,286 S * 9/2019 He D12/415
2008/0078793 A1 * 4/2008 Brown B60R 11/0247
224/483

OTHER PUBLICATIONS

“The Best Car Phone Mount Money Can Buy!!!,” Pop Socket pictured therein, YouTube online, post date Aug. 27, 2017, URL: <https://www.youtube.com/watch?v=eb48R3QTCrl>, retrieved Sep. 10, 2019.*

(Continued)

Primary Examiner — Jeffrey D Asch
Assistant Examiner — Rebekah A Caruso

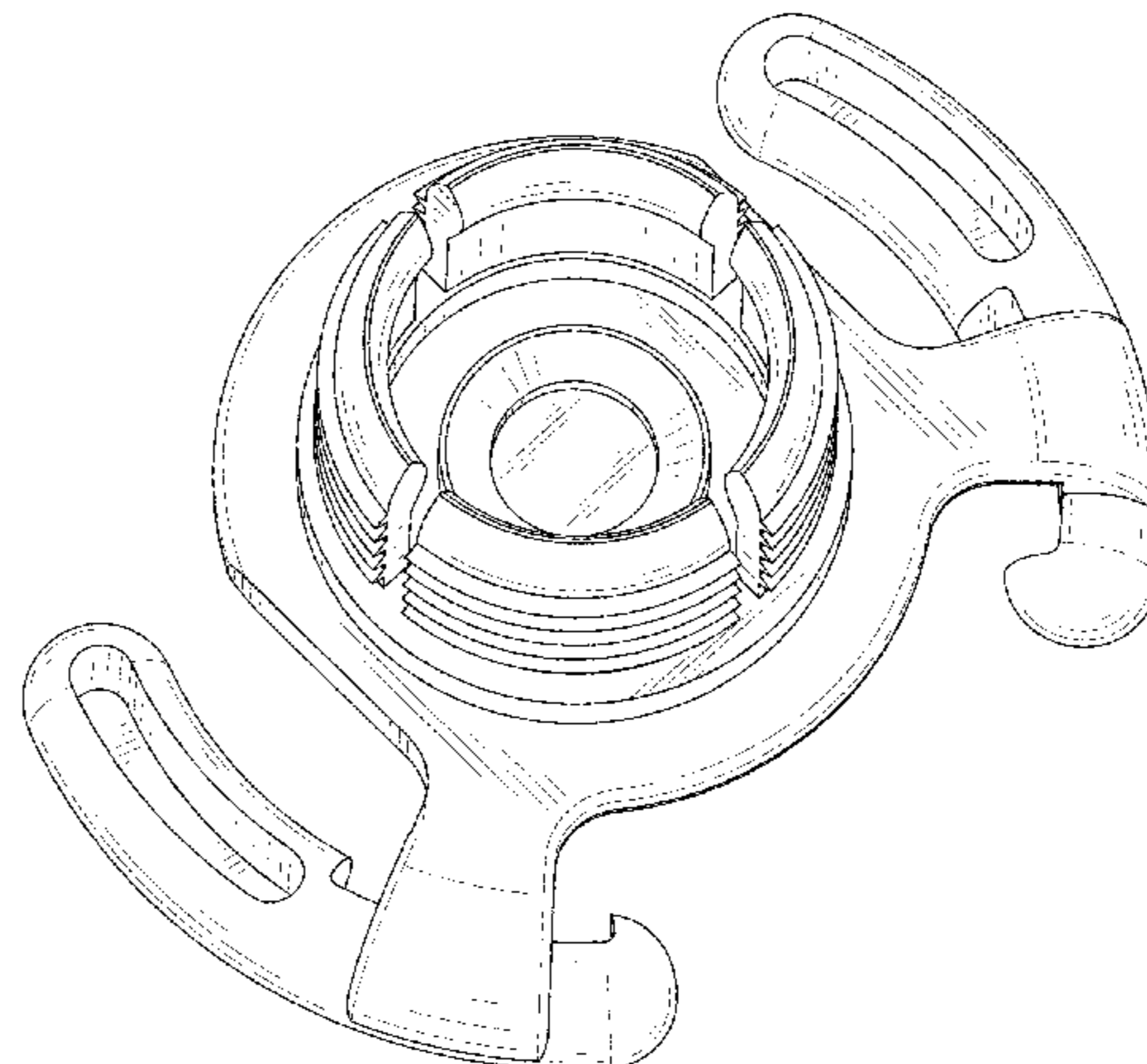
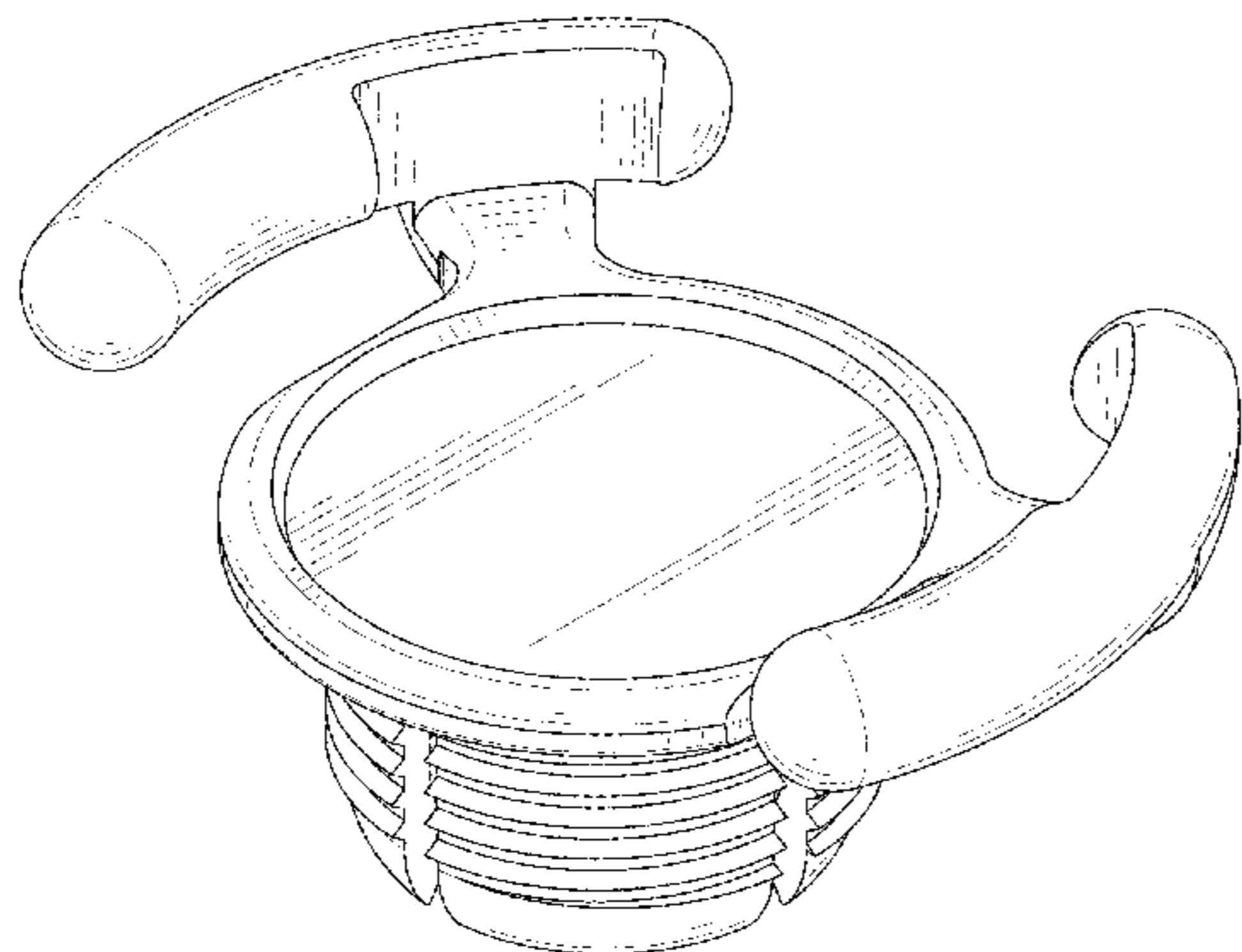
(57) **CLAIM**

The ornamental design for a phone holder, as shown and described.

DESCRIPTION

FIG. 1 is a perspective view of a phone holder showing my new design;
FIG. 2 is another perspective view thereof;
FIG. 3 is a front elevational view thereof;
FIG. 4 is a rear elevational view thereof;
FIG. 5 is a left side elevational view thereof;
FIG. 6 is a right side elevational view thereof;
FIG. 7 is a top plan view thereof; and,
FIG. 8 is a bottom plan view thereof.

1 Claim, 8 Drawing Sheets



(56)

References Cited

OTHER PUBLICATIONS

PopSocket car mount—I was warned not to buy it! Review, Pop Socket pictured therein, YouTube online, post date Nov. 10, 2017, URL: <https://www.youtube.com/watch?v=CakZqgsrUTU>, retrieved Sep. 10, 2019.*

PopGear Pop Clip Car Mount & Holder for Cell Phone, Amazon online, review with picture posted Feb. 4, 2019, URL: https://www.amazon.com/dp/B07KWD9N9N/ref=psdc_7072563011_t1_B07G2V7XWL , retrieved Sep. 10, 2019.*

izyla Pop Socket Car Mount for Cell Phone, Amazon online, review with picture posted Oct. 31, 2018, URL: <https://www.amazon.com/dp/B07H5V3XFP/> , retrieved Sep. 10, 2019.*

LoyaForba Pop Clip Car Mount, Amazon online, review with picture posted Jul. 23, 2019, URL: <https://www.amazon.com/Pop-Clip-Mount-Compatible-Users/dp/B07JR1VKV2> , retrieved Sep. 10, 2019.*

SPINOO Pop Clip Car Mount, online, no post date, URL: https://www.wantitall.co.za/wireless/spinoo-pop-clip-car-mount-for-pop-grip-users-includes-custom-phone-grip-socket-3-adjustable-sturdy-p_b07mr8gbh1 , retrieved Sep. 10, 2019.*

New Gadgets Car Mount Sticky Pad Dashboard Mobile Cell Phone Holder, online, no post date, URL: https://www.alibaba.com/product-detail/New-Gadgets-Car-Mount-Sticky-Pad_60694643390.html , retrieved Sep. 10, 2019.*

* cited by examiner

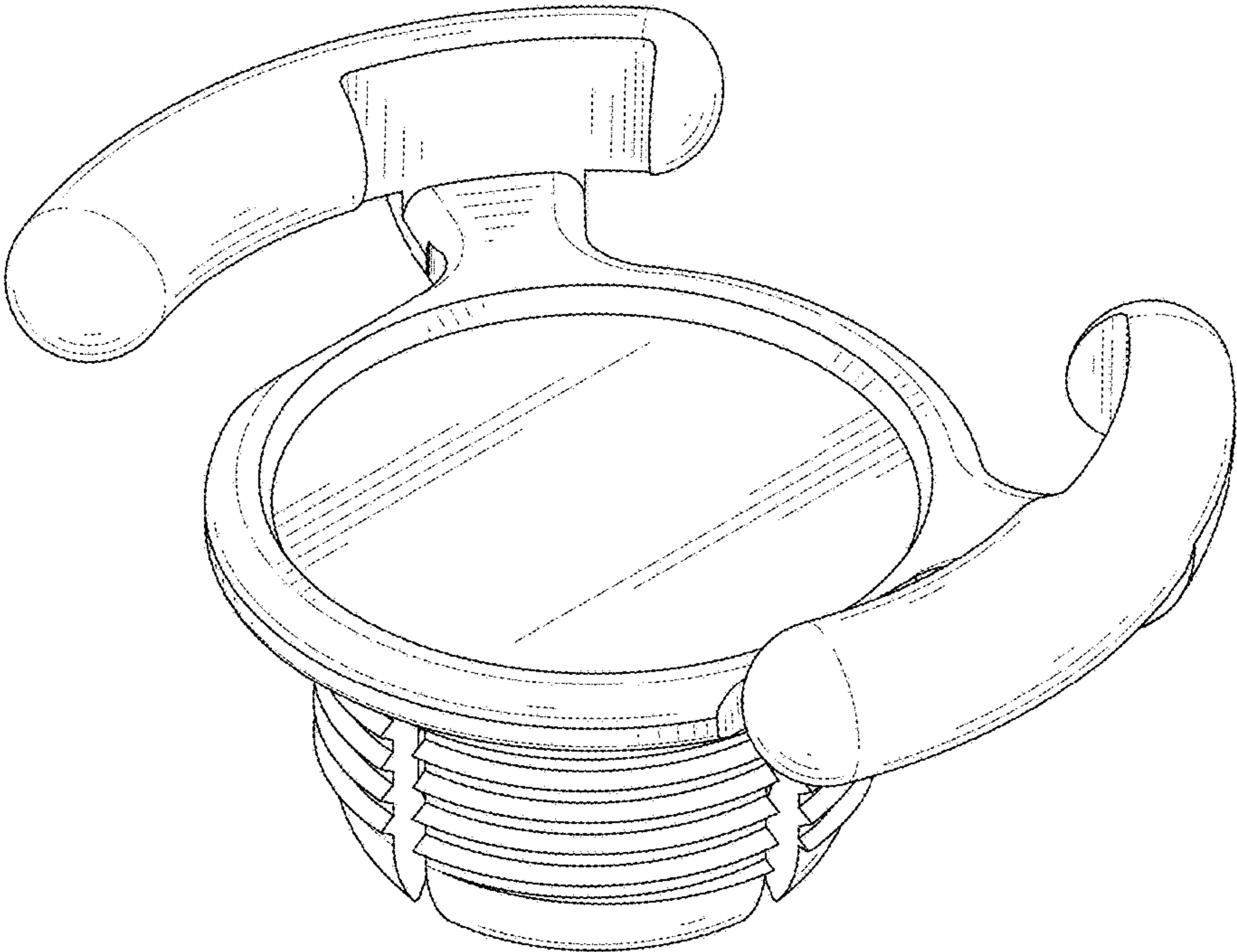


FIG. 1

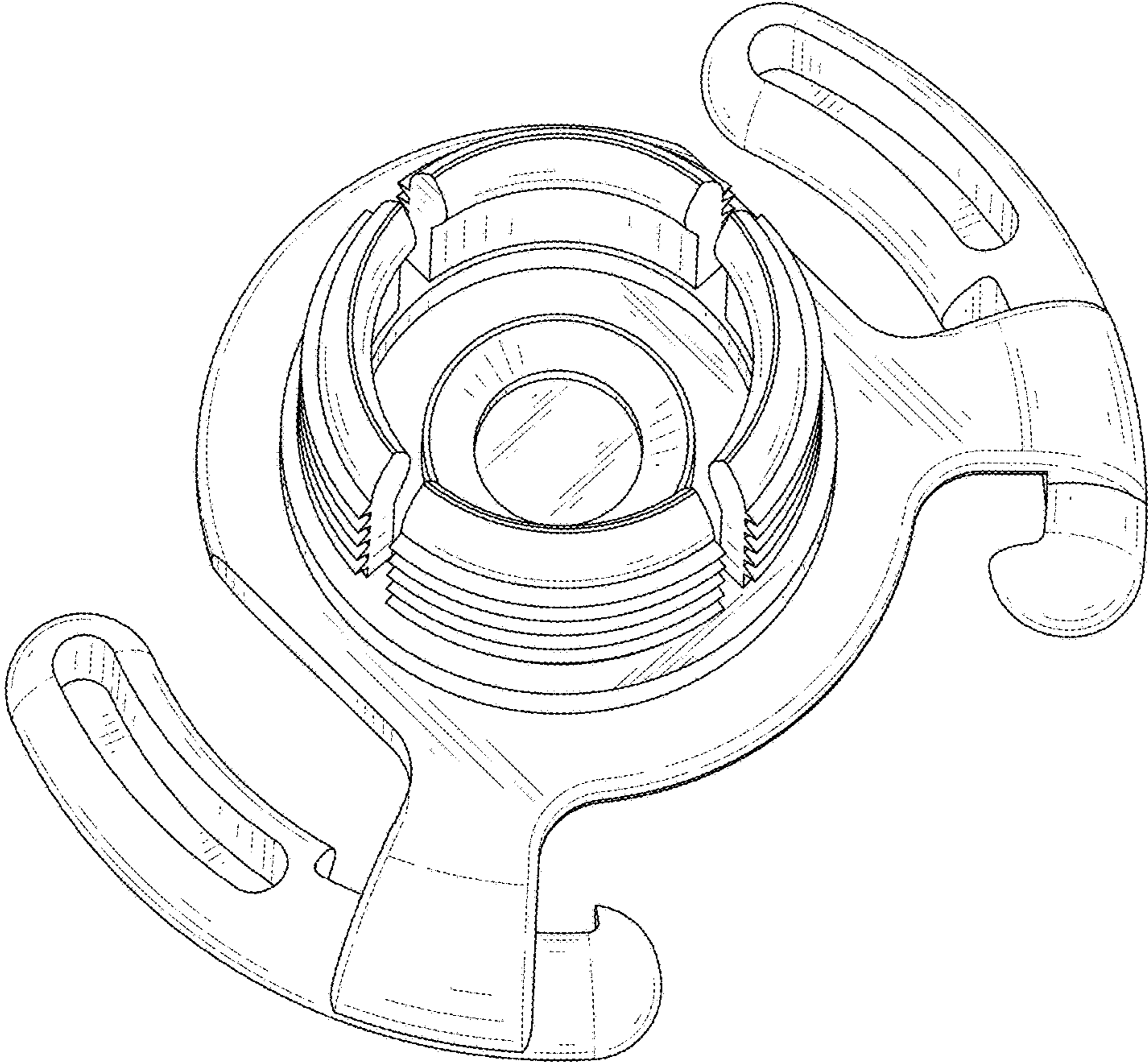


FIG. 2

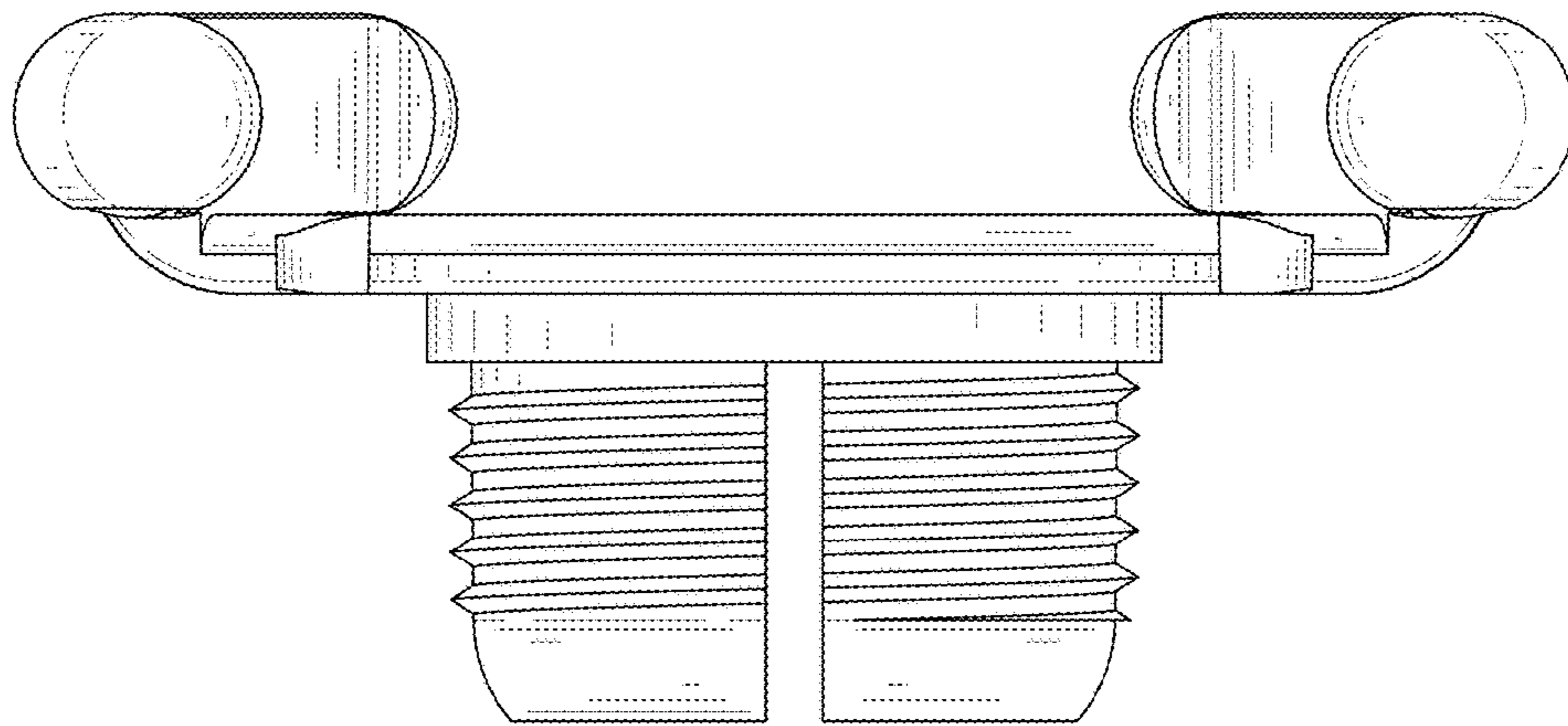


FIG. 3

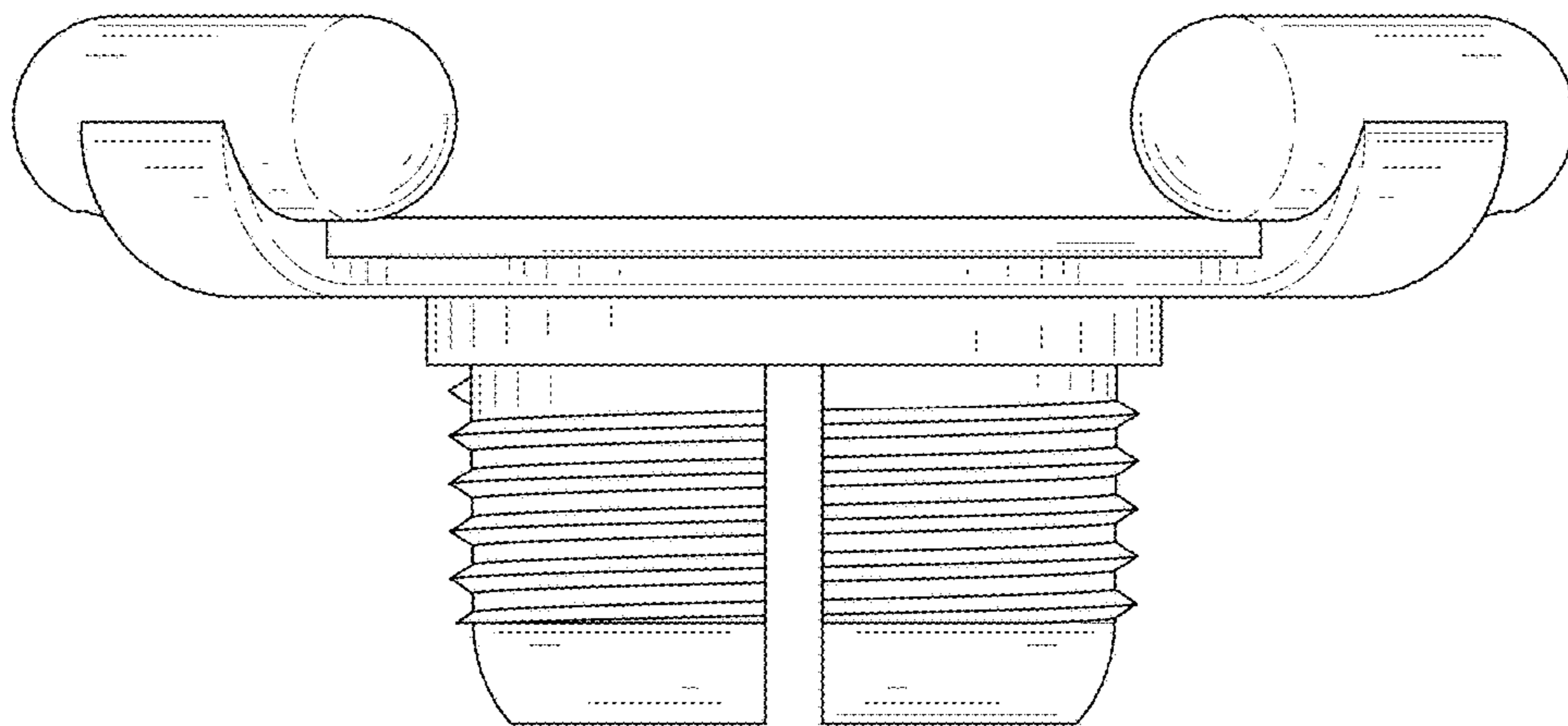


FIG. 4

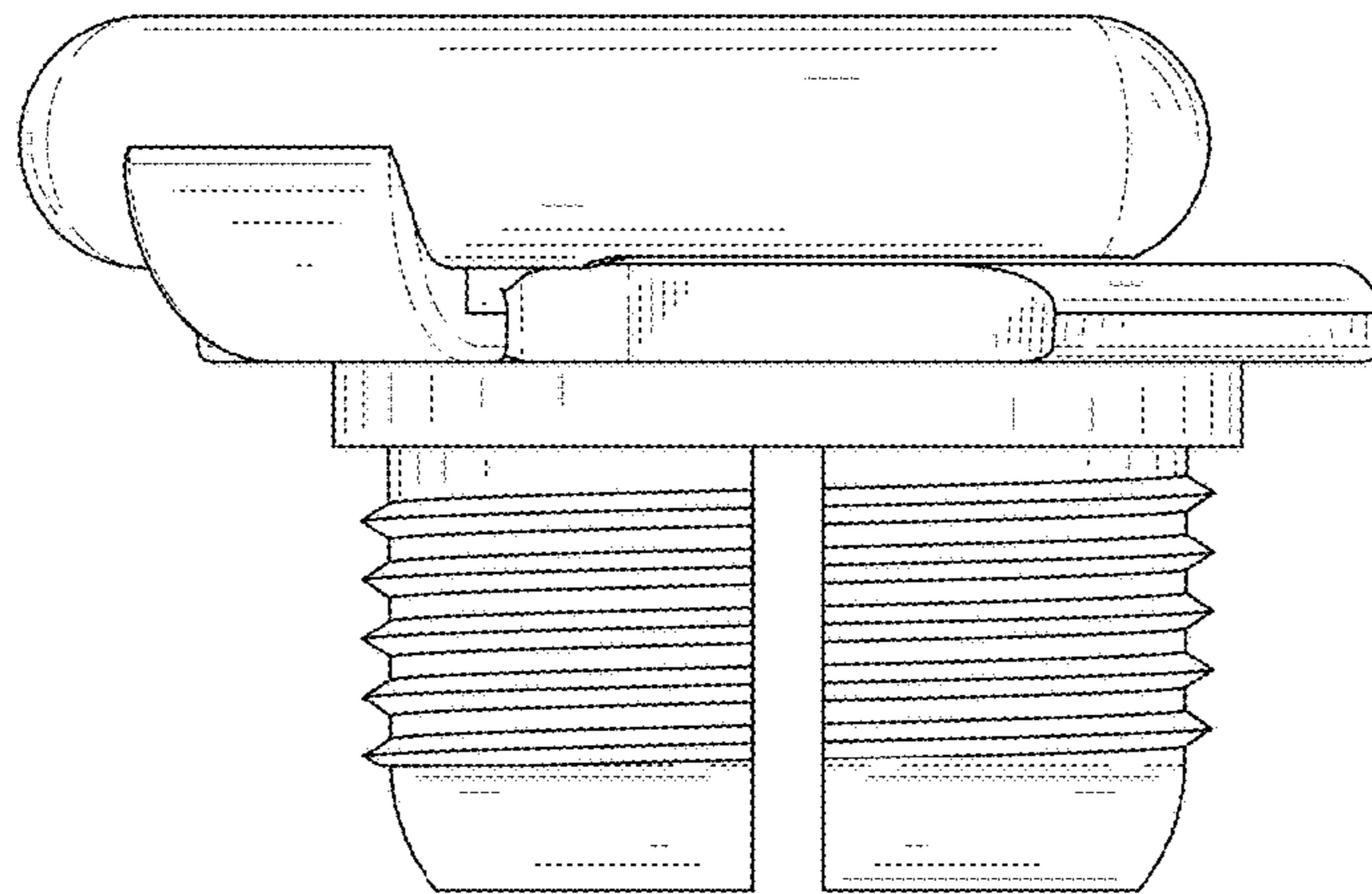


FIG. 5

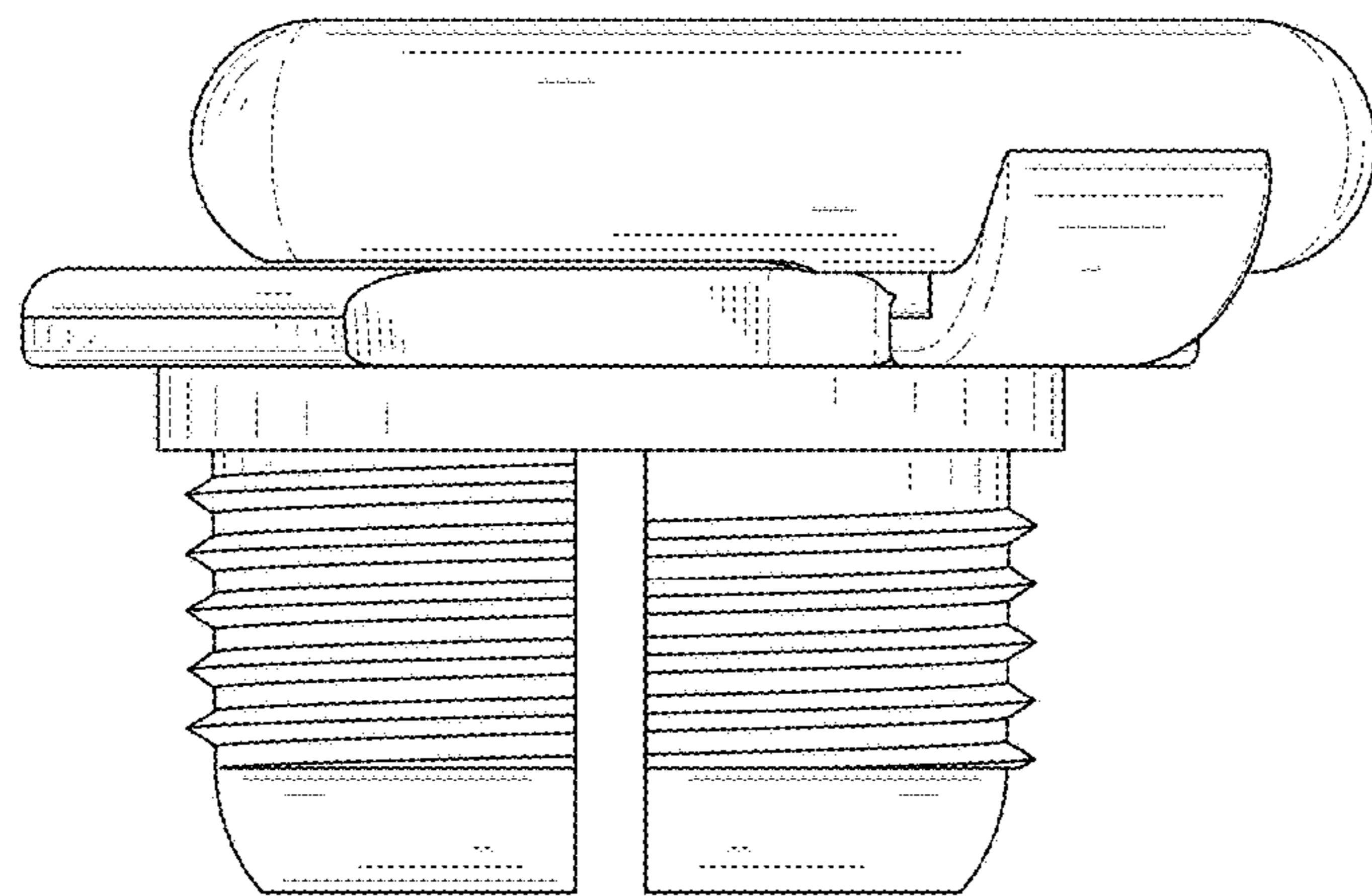


FIG. 6

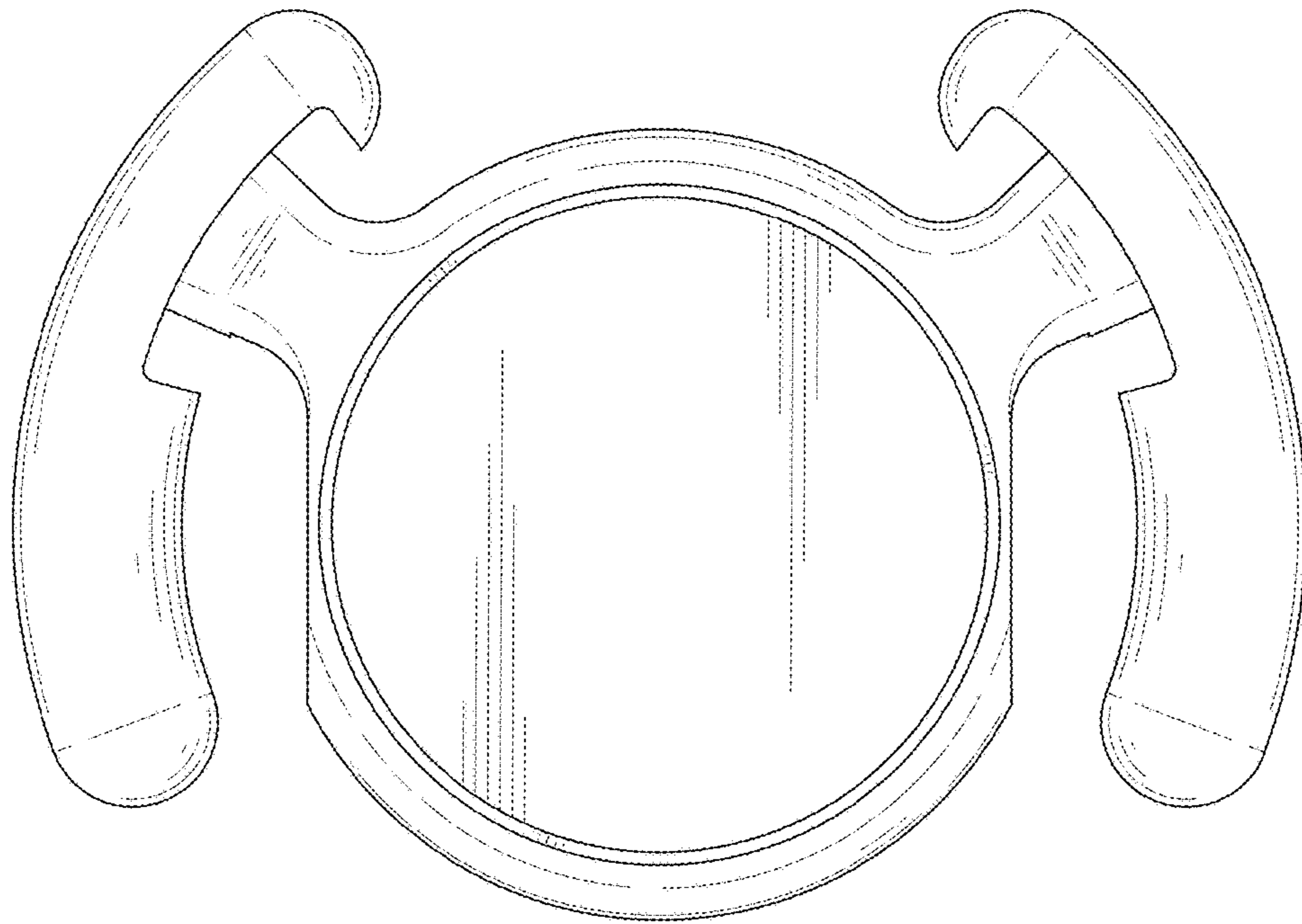


FIG. 7

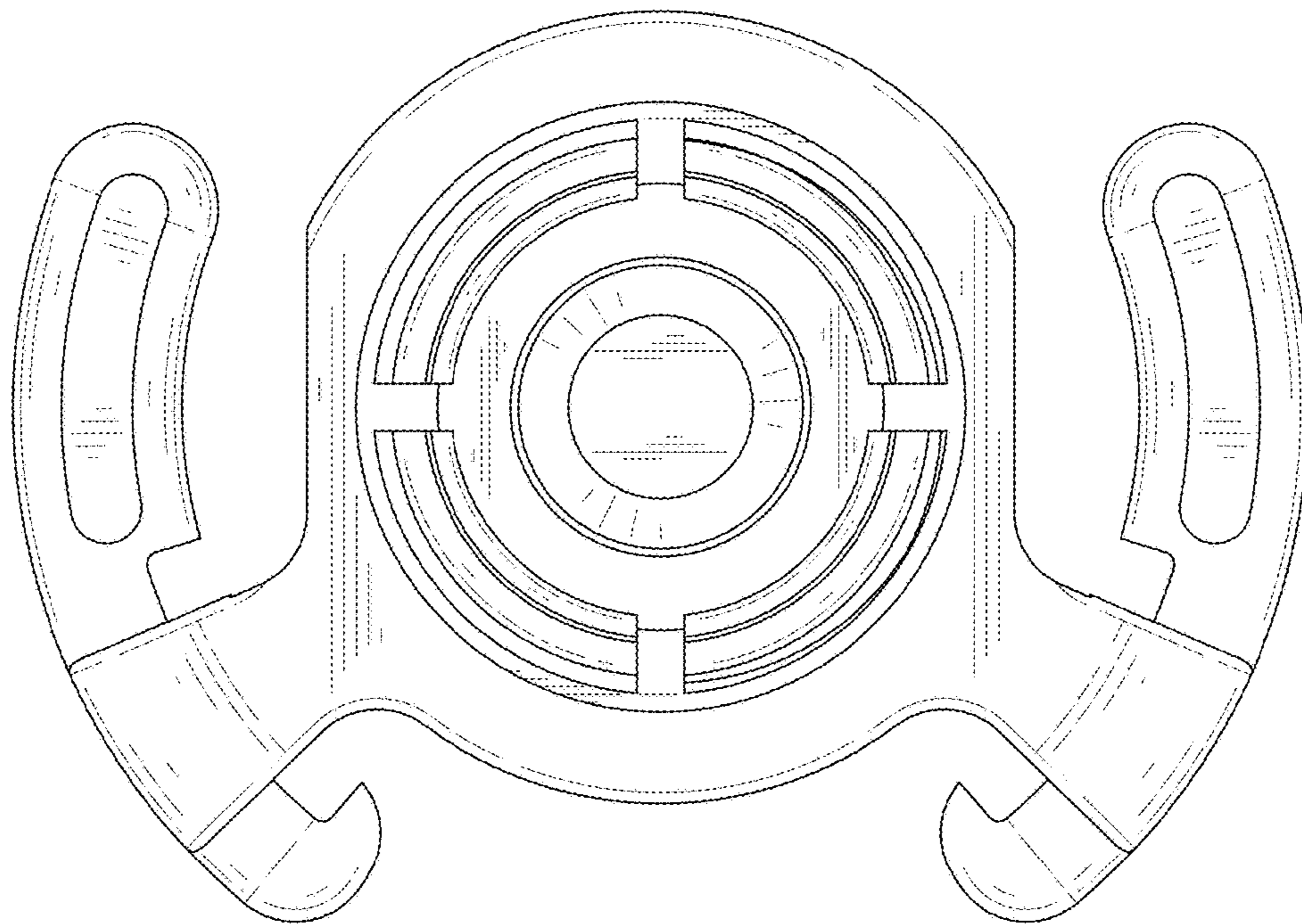


FIG. 8