



US00D866546S

(12) **United States Design Patent**
Stillwell et al.

(10) **Patent No.:** **US D866,546 S**

(45) **Date of Patent:** **** Nov. 12, 2019**

(54) **HAND GRIP**

(71) Applicant: **Loophole Innovative Solutions, Inc.**,
Kensington, MD (US)

(72) Inventors: **Steven Stillwell**, Bethesda, MD (US);
Patrick Crowe, Bethesda, MD (US)

(73) Assignee: **Loophole Products, LLC**, Kensington,
MD (US)

(**) Term: **15 Years**

(21) Appl. No.: **29/632,260**

(22) Filed: **Jan. 5, 2018**

(51) **LOC (12) Cl.** **14-03**

(52) **U.S. Cl.**
USPC **D14/253**; D14/251; D14/447

(58) **Field of Classification Search**
USPC D14/250–254, 217, 224, 224.1, 238.1,
D14/299, 434, 447, 451–452, 483;
D12/400, 415–426, 426.1, 114, 223;
D3/218; D16/242, 245; D8/306, 307,
D8/349, 352, 401

CPC B60R 11/00; B60R 11/02; B60R 11/0241;
B60R 11/0252; B60R 2011/0005; B60R
2011/0008; H04M 1/026; H04M 1/0266;
H04B 1/3877; A45F 2200/0516; A45F
2200/0525; H05K 5/0204; F16M 13/02;
F16M 13/022; F16M 13/04; F16M 11/04;
F16M 11/041; F16B 2/12; H01F 7/0252;
G03B 17/561; G03B 17/563

See application file for complete search history.

(56) **References Cited**

U.S. PATENT DOCUMENTS

D641,154 S * 7/2011 Smith D3/218
D660,305 S * 5/2012 Ho D14/447
8,950,715 B2 * 2/2015 Chiu F16M 11/041
248/126
D747,321 S * 1/2016 London D14/440

D749,083 S * 2/2016 Senoff D14/451
D749,559 S * 2/2016 Senoff D14/251
D753,912 S * 4/2016 Spero A45C 13/20
D3/218
9,421,920 B2 * 8/2016 Jang A45F 5/00
D765,662 S * 9/2016 Kang D14/251

(Continued)

OTHER PUBLICATIONS

Loophole USA, Expanding Stand, Grip, Holder For Cell Phone, Smartphones & Tablets, online, no post date, URL: <https://www.walmart.com/ip/Expanding-Stand-Grip-Holder-For-Cell-Phone-Smartphones-Tablets-By-Loophole-USA-White/104974932>, retrieved Jun. 6, 2019.*

Primary Examiner — Jeffrey D Asch

Assistant Examiner — Rebekah A Caruso

(74) *Attorney, Agent, or Firm* — Matthew A. Pequignot;
Pequignot + Myers

(57) **CLAIM**

The ornamental design for a hand grip, as substantially shown and described.

DESCRIPTION

FIG. 1 is a perspective view of a hand grip showing the new design;

FIG. 2 is a front elevation view thereof;

FIG. 3 is a rear elevation view thereof;

FIG. 4 is a top plan view thereof;

FIG. 5 is a bottom plan view thereof;

FIG. 6 is a left-side elevation view thereof;

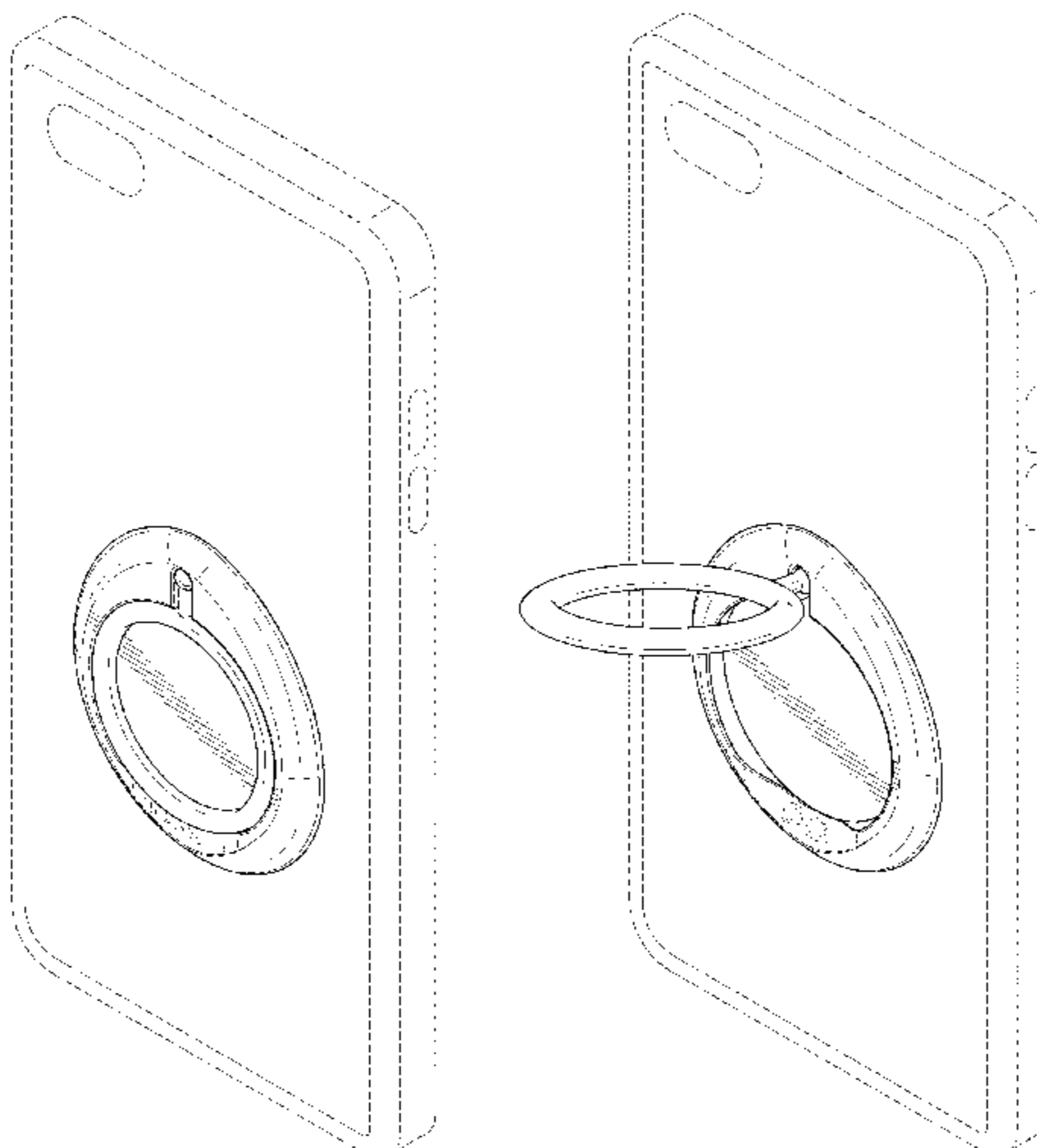
FIG. 7 is a right-side elevation view thereof;

FIG. 8 is an alternative perspective view thereof; and,

FIG. 9 is the perspective view thereof as shown in FIG. 1 with a portion of the design in a second orientation, rotated about its ball pivot.

The shading lines are only included to indicate contours or topographical features. Structure illustrated in broken lines is environment only and not part of the claimed design.

1 Claim, 5 Drawing Sheets



(56)

References Cited

U.S. PATENT DOCUMENTS

9,451,817	B2 *	9/2016	Oh	H04B 1/3877
D768,635	S *	10/2016	Due	D14/432
D775,619	S *	1/2017	Tien	D14/250
D782,488	S *	3/2017	Kim	D14/447
D782,489	S *	3/2017	Kim	D14/447
D815,086	S *	4/2018	Jeon	D14/251
D826,705	S *	8/2018	Zhou	D8/401
D829,722	S *	10/2018	Kim	D14/447
10,117,505	B1 *	11/2018	Alvarez	A45F 5/00
D844,598	S *	4/2019	Jang	D14/251
10,278,299	B2 *	4/2019	Kim	E05D 3/022
D850,455	S *	6/2019	Cheng	D14/440
2013/0279098	A1 *	10/2013	Cho	H05K 7/00
					361/679.01
2015/0312389	A1 *	10/2015	Curran	H04B 1/385
					455/575.6
2016/0353867	A1 *	12/2016	Due	A45F 5/10

* cited by examiner

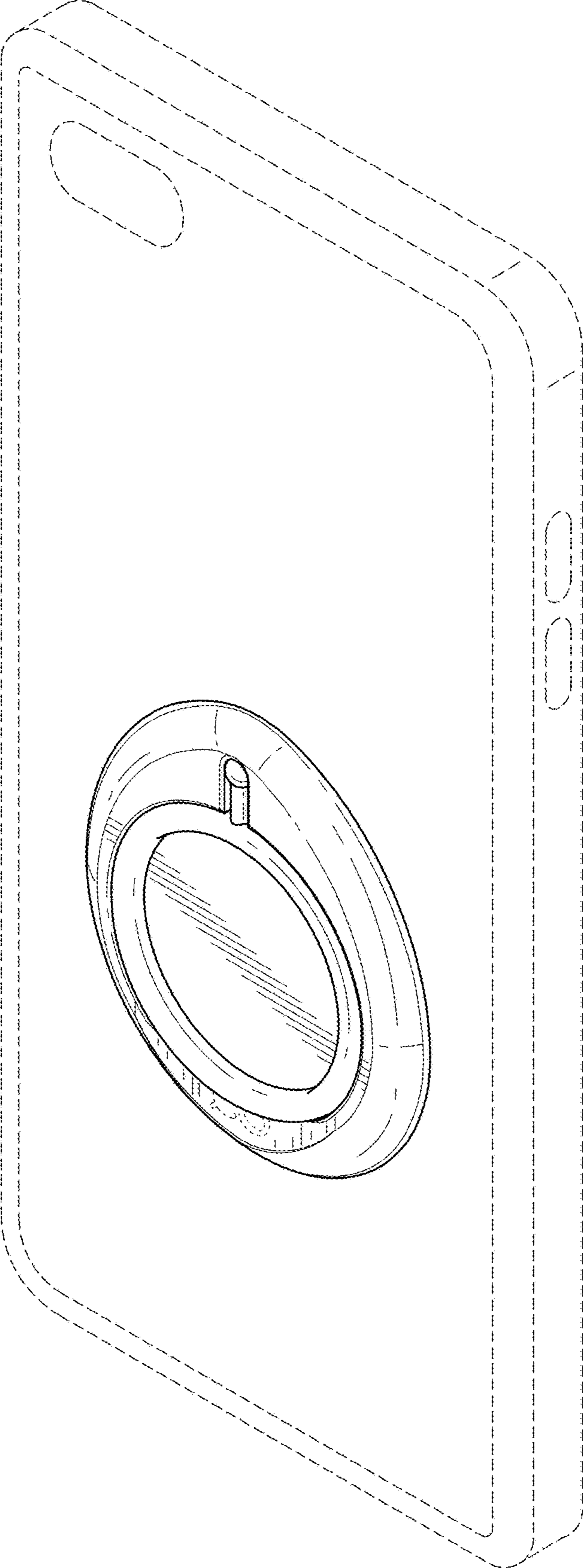


FIG. 1

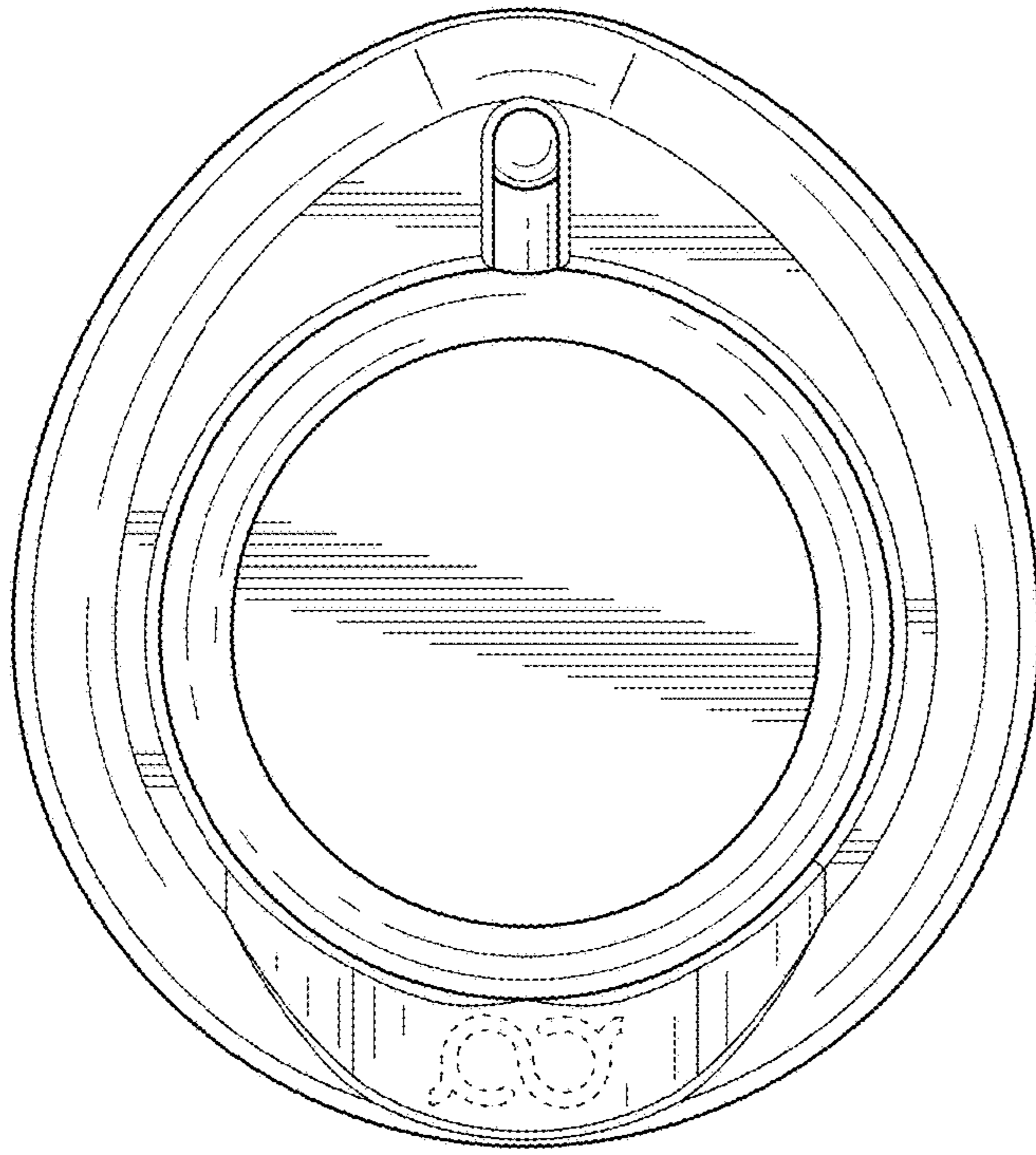


FIG. 2

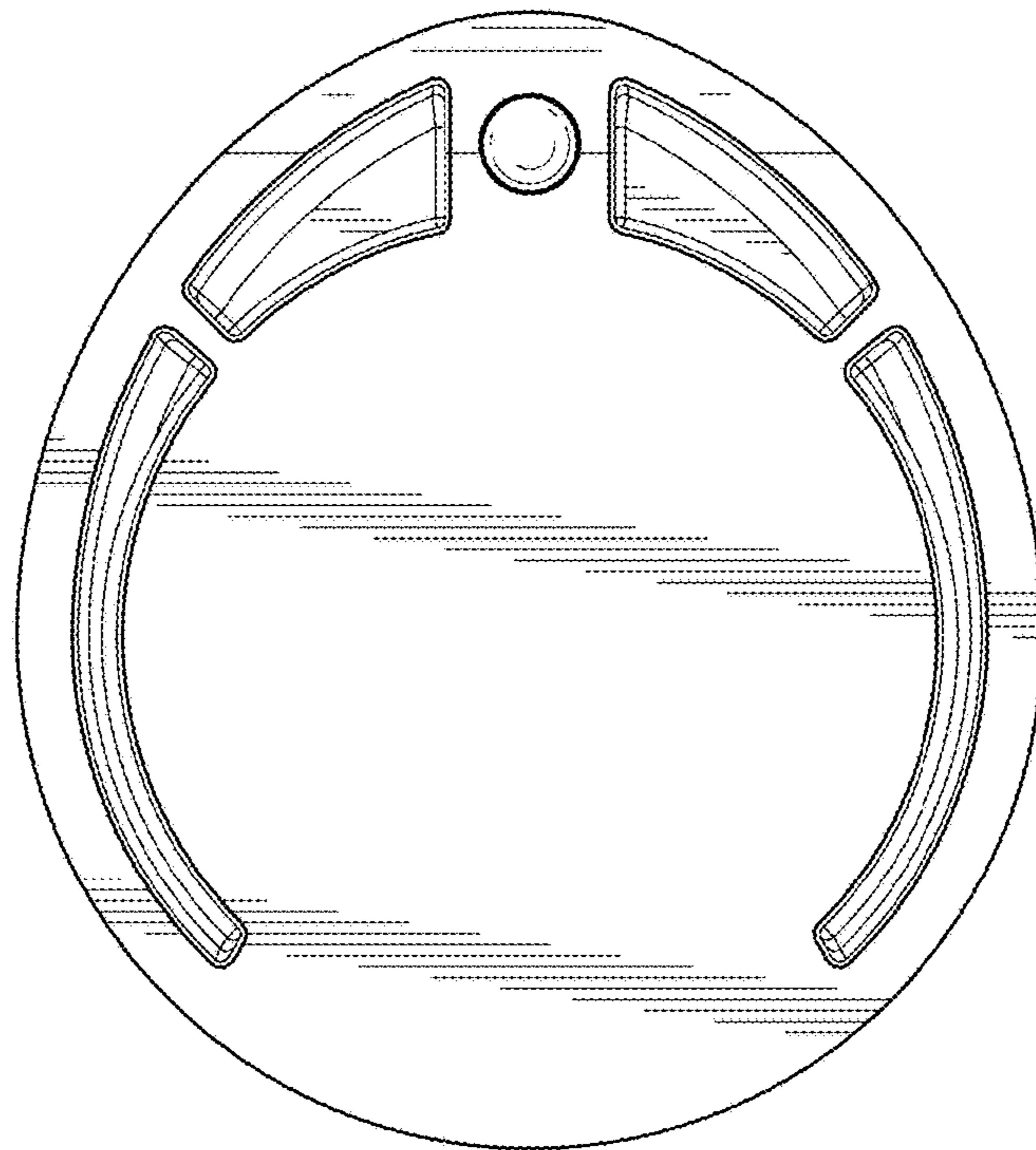


FIG. 3

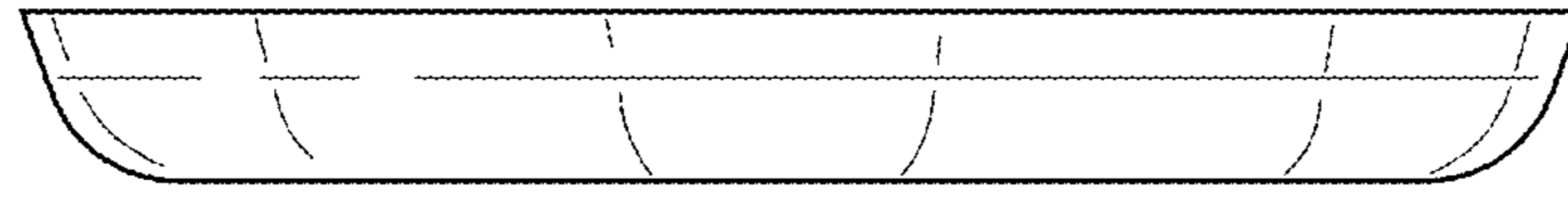


FIG. 4

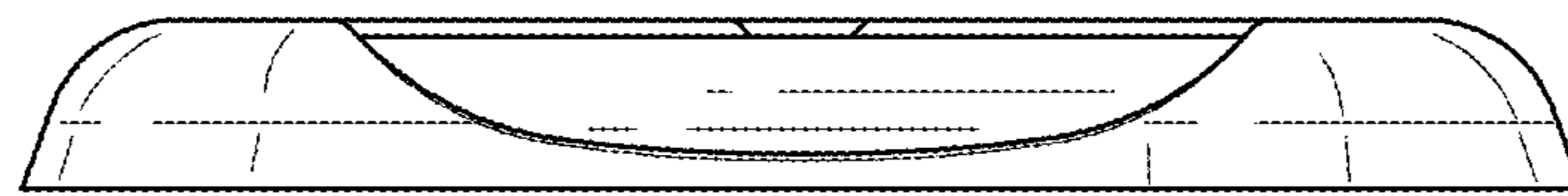


FIG. 5

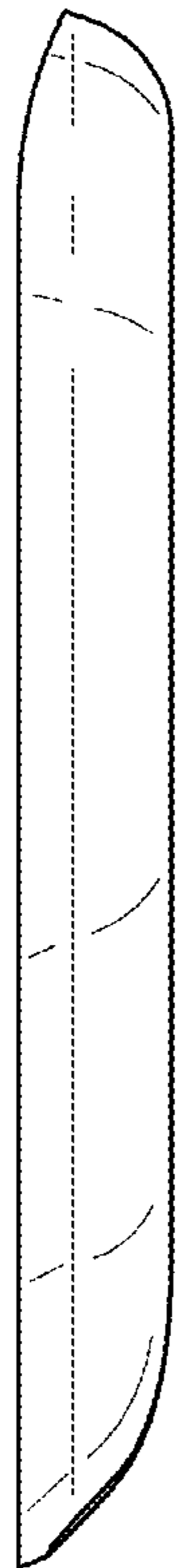


FIG. 6

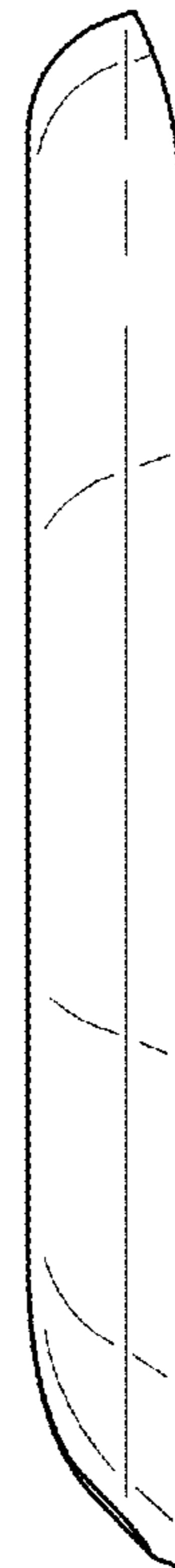


FIG. 7

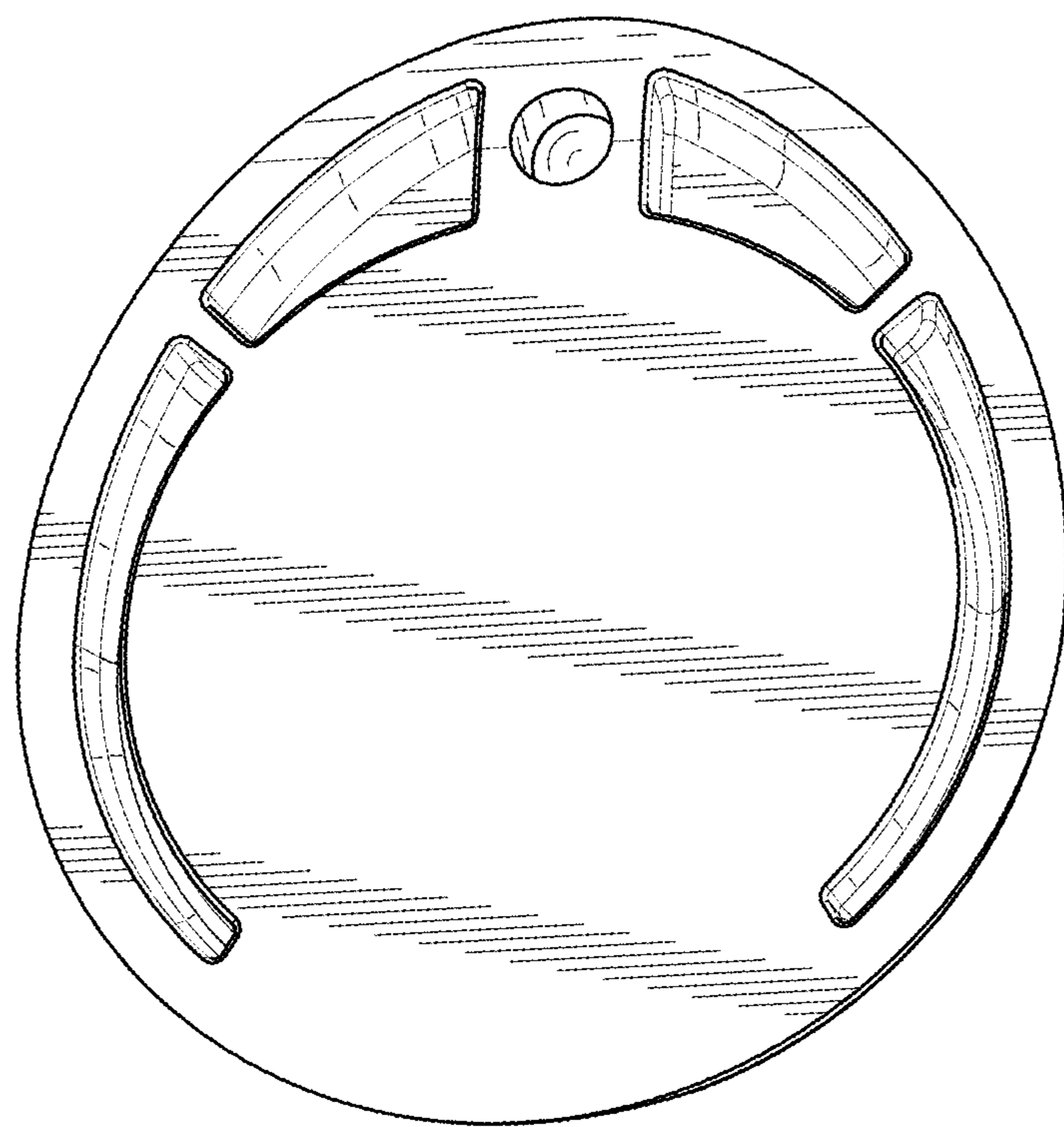


FIG. 8

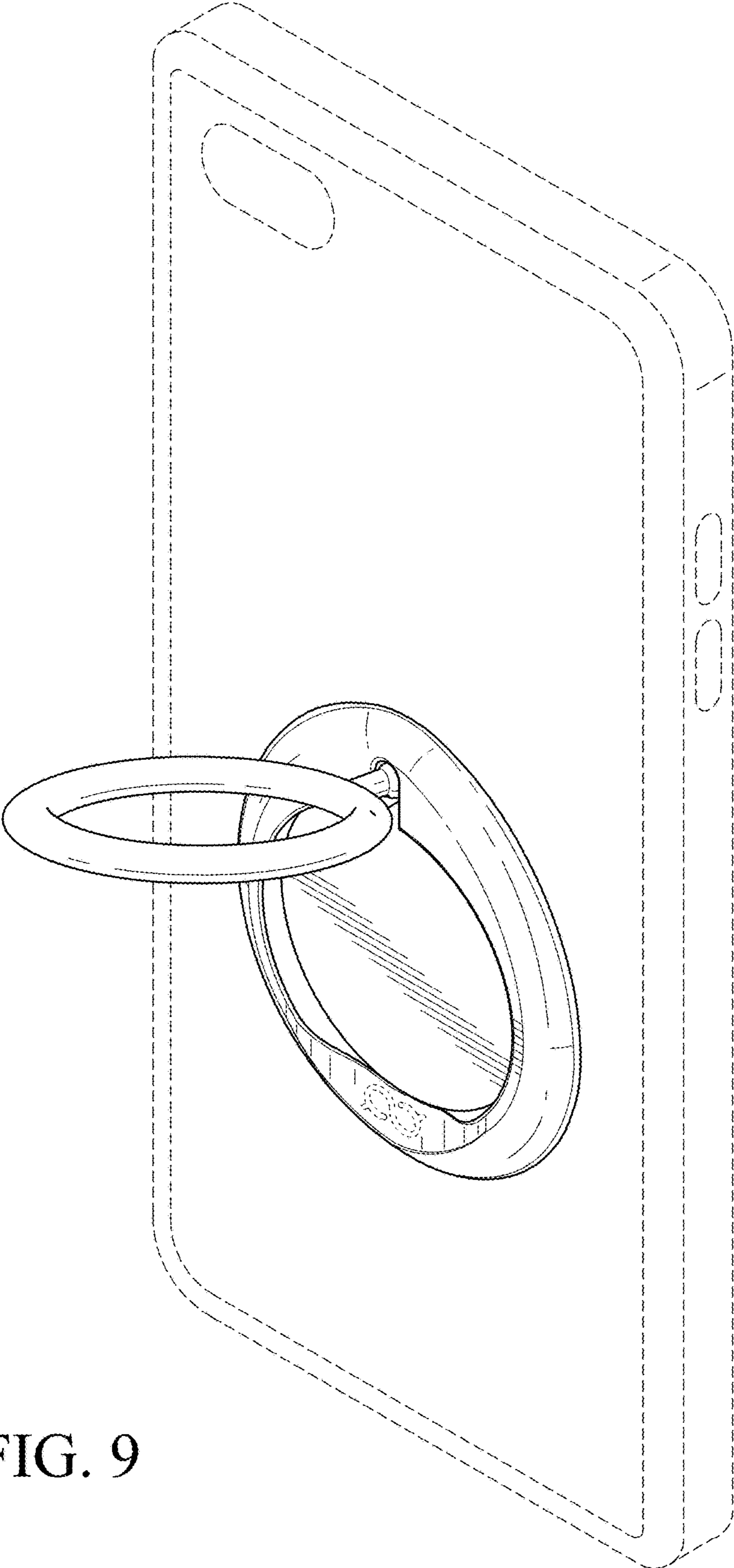


FIG. 9