



US00D866538S

(12) **United States Design Patent**
Rohan

(10) **Patent No.:** **US D866,538 S**

(45) **Date of Patent:** **** Nov. 12, 2019**

(54) **LOW PROFILE MOUNT FOR A TELEVISION**

8,235,341 B2 * 8/2012 Taylor F16M 11/10
248/201

(71) Applicant: **Séura, Inc.**, Green Bay, WI (US)

8,345,449 B2 * 1/2013 Anderson F16M 13/02
248/327

(72) Inventor: **Adam Rohan**, Freedom, WI (US)

9,765,923 B2 * 9/2017 Skull G06F 1/16

(73) Assignee: **Séura, Inc.**, Green Bay, WI (US)

* cited by examiner

(**) Term: **15 Years**

Primary Examiner — Randall H Gholson

(74) *Attorney, Agent, or Firm* — Michael Best & Friedrich LLP

(21) Appl. No.: **29/661,967**

(57) **CLAIM**

(22) Filed: **Aug. 31, 2018**

I claim the ornamental design for a low profile mount for a television, as shown and described.

(51) **LOC (12) Cl.** **14-03**

DESCRIPTION

(52) **U.S. Cl.**

USPC **D14/239**

(58) **Field of Classification Search**

USPC D14/125-134, 239, 371, 136, 374-377,
D14/440, 450, 448, 336, 342, 159;
312/7.2; 348/836, 838, 180, 184, 325,
348/739; 248/917-924, 465; 345/104,
345/133, 156, 168, 87, 173; D21/329,
D21/515, 577, 622, 333, 433, 448, 452,
D21/450, 331, 505; D10/15, 26;
446/484, 175, 356; D6/477, 479, 300;
D24/185; D34/14; D8/348

CPC ... G06F 1/1601; G06F 1/1643; H05K 5/0004;
H05K 5/0017; H05K 5/02; H05K 5/0217

See application file for complete search history.

FIG. 1 is a perspective view of a low profile mount for a television according to an embodiment showing the new design;

FIG. 2 is an elevation view of a first side of the low profile mount shown in FIG. 1;

FIG. 3 is an elevation view of a second side of the low profile mount shown in FIG. 1;

FIG. 4 is an elevation view of a first end of the low profile mount shown in FIG. 1;

FIG. 5 is an elevation view of a second end of the low profile mount shown in FIG. 1;

FIG. 6 is a top view of the low profile mount shown in FIG. 1; and,

FIG. 7 is a bottom view of the low profile mount shown in FIG. 1.

The present application is directed to the design illustrated in the figures.

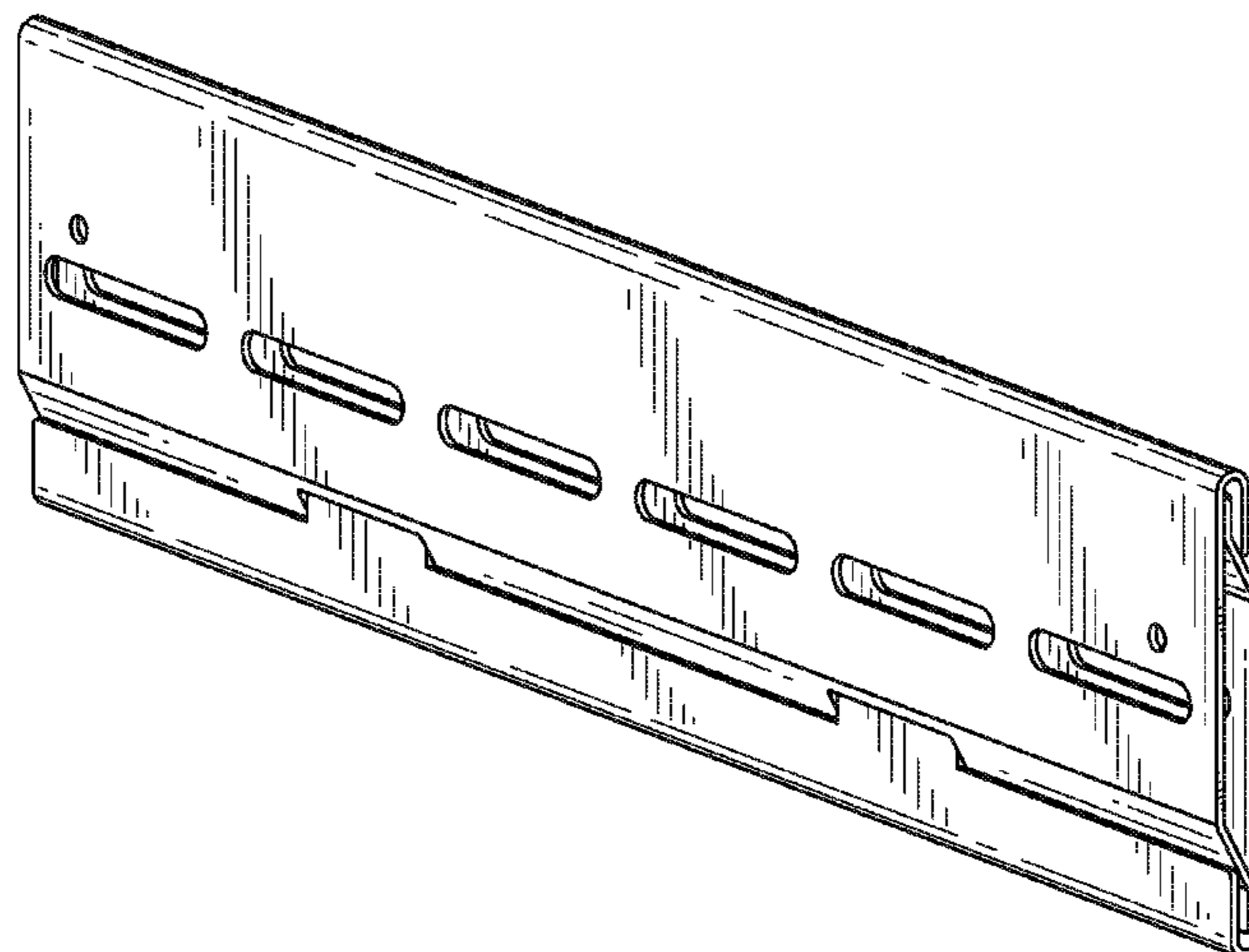
The broken lines shown in the drawings illustrate portions of the low profile mount and form no part of the claimed design.

(56) **References Cited**

U.S. PATENT DOCUMENTS

D565,399 S * 4/2008 Grey D8/380
D587,694 S * 3/2009 Sculler D14/239
D588,118 S * 3/2009 Townsend D14/239

1 Claim, 4 Drawing Sheets



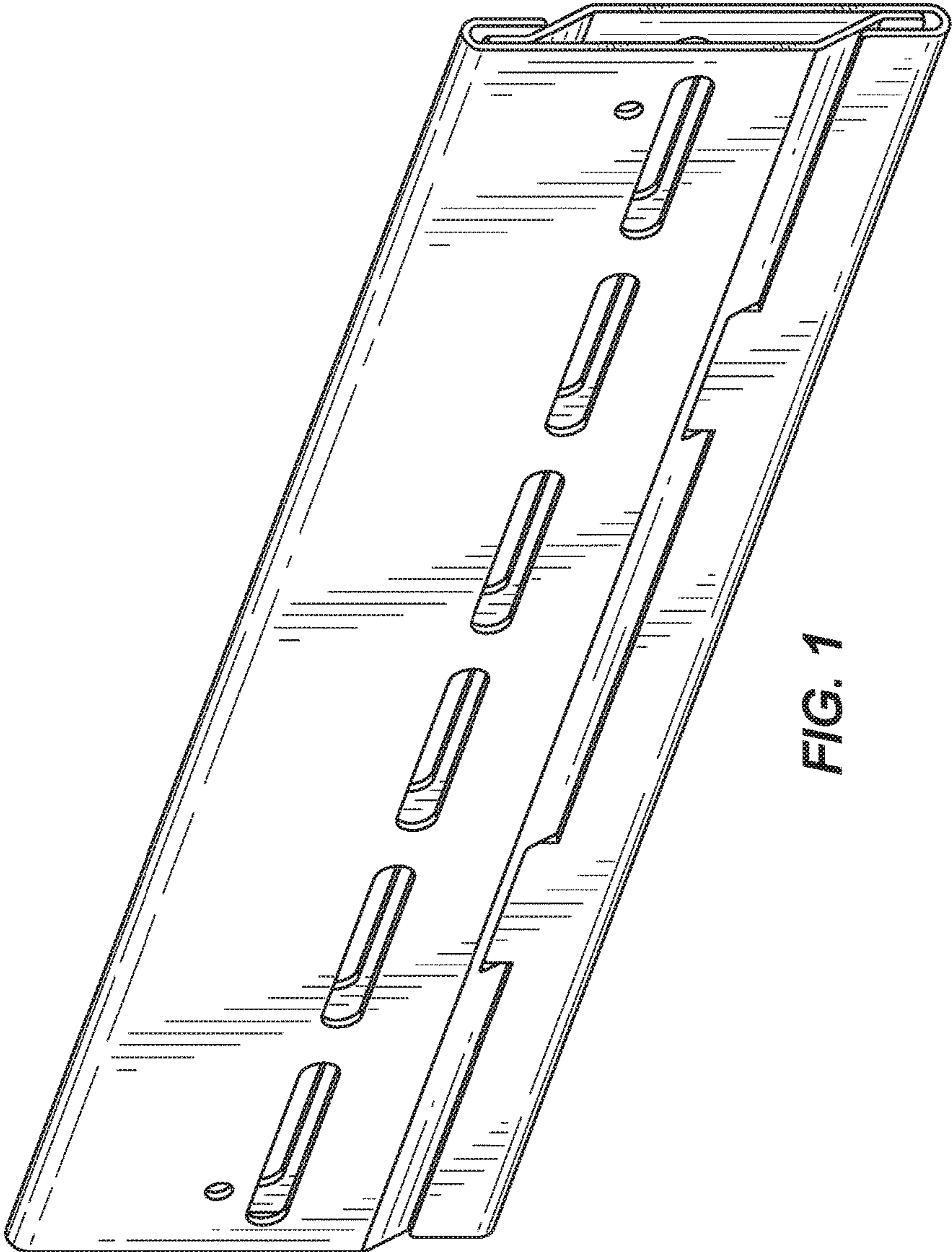


FIG. 1

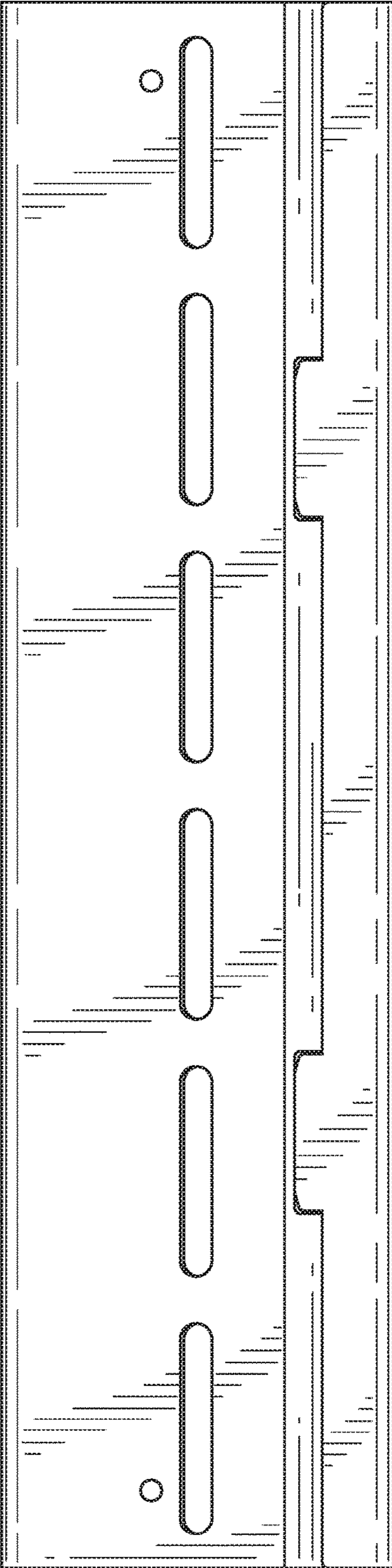


FIG. 2

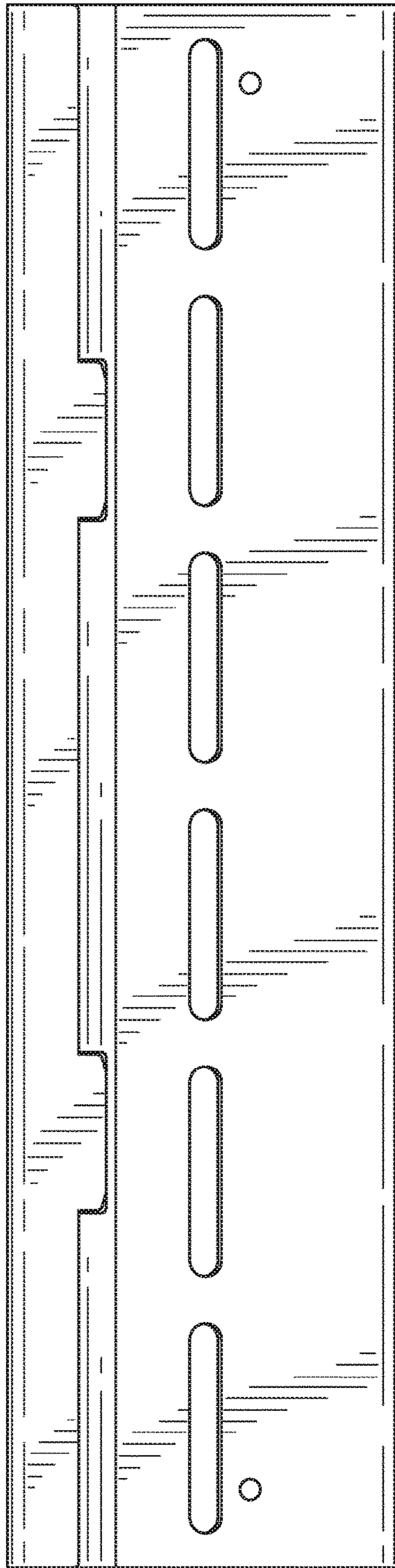


FIG. 3

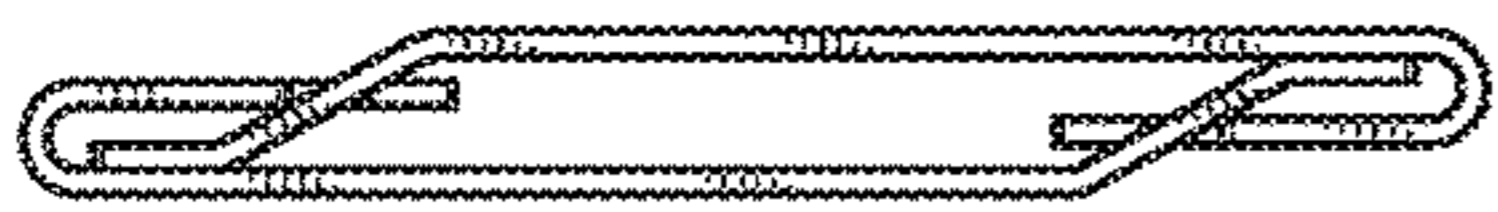


FIG. 4

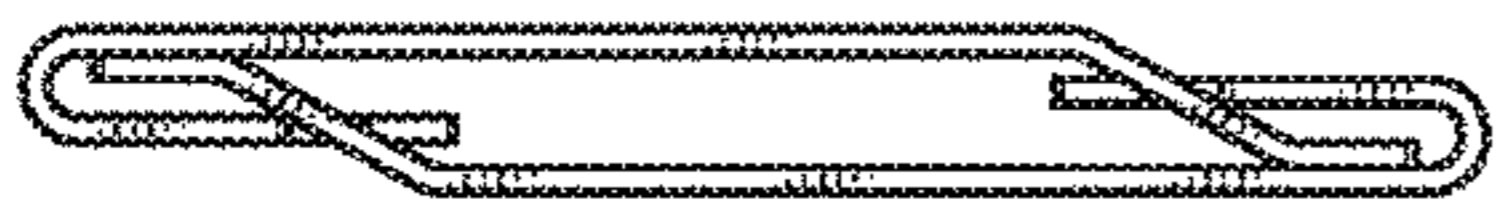


FIG. 5



FIG. 6



FIG. 7