



US00D866537S

(12) **United States Design Patent** (10) **Patent No.:** **US D866,537 S**
Knapp et al. (45) **Date of Patent:** **** Nov. 12, 2019**

(54) **TELEVISION CART WITH A SINGLE SUPPORT**

(71) Applicant: **CKnapp Sales, Inc.**, Goodfield, IL (US)

(72) Inventors: **Chance Knapp**, Goodfield, IL (US); **Brandon Meyer**, Normal, IL (US)

(73) Assignee: **CKnapp Sales, Inc.**, Goodfield, IL (US)

(**) Term: **15 Years**

(21) Appl. No.: **29/647,865**

(22) Filed: **May 16, 2018**

(51) **LOC (12) Cl.** **14-03**

(52) **U.S. Cl.**
USPC **D14/239**

(58) **Field of Classification Search**
USPC D14/239, 371, 136, 374-377; D8/363, D8/373, 349, 394; 248/465, 917-924,
(Continued)

(56) **References Cited**

U.S. PATENT DOCUMENTS

D615,072 S * 5/2010 Saitou D14/239
D642,183 S * 7/2011 Chinuki F16M 11/28
D14/451

(Continued)

Primary Examiner — Randall H Gholson

(74) *Attorney, Agent, or Firm* — Marshall, Gerstein & Borun LLP

(57) **CLAIM**

The ornamental design for a television cart with a single support, as shown and described.

DESCRIPTION

FIG. 1 is a perspective view showing a new design for a television cart with a single support, a base, and a tray;

FIG. 2 is a front view of the television cart with a single support of FIG. 1;

FIG. 3 is a rear view of the television cart with a single support of FIG. 1;

FIG. 4 is a left-side view of the television cart with a single support of FIG. 1;

FIG. 5 is a right-side view of the television cart with a single support of FIG. 1;

FIG. 6 is a top view of the television cart with a single support of FIG. 1; and

FIG. 7 is a bottom view of the television cart with a single support of FIG. 1.

FIG. 8 is a perspective view showing an embodiment of the new design for the television cart with a single support of FIG. 1 but without the tray;

FIG. 9 is a front view of the television cart with a single support of FIG. 8;

FIG. 10 is a rear view of the television cart with a single support of FIG. 8;

FIG. 11 is a left-side view of the television cart with a single support of FIG. 8;

FIG. 12 is a right-side view of the television cart with a single support of FIG. 8;

FIG. 13 is a top view of the television cart with a single support of FIG. 8;

FIG. 14 is a bottom view of the television cart with a single support of FIG. 8;

FIG. 15 is a perspective view showing an embodiment of the new design for the television cart with a single support of FIG. 8 but without the base;

FIG. 16 is a front view of the television cart with a single support of FIG. 15;

FIG. 17 is a rear view of the television cart with a single support of FIG. 15;

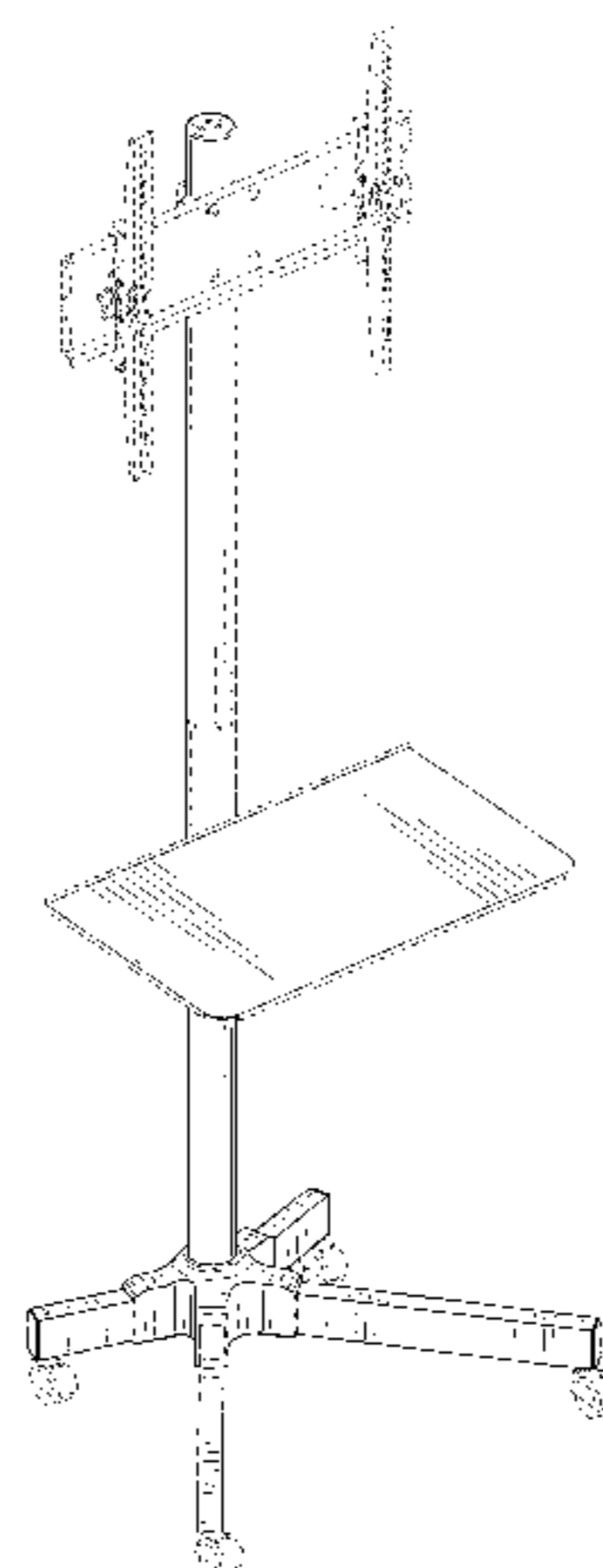
FIG. 18 is a left-side view of the television cart with a single support of FIG. 15;

FIG. 19 is a right-side view of the television cart with a single support of FIG. 15;

FIG. 20 is a top view of the television cart with a single support of FIG. 15; and,

FIG. 21 is a bottom view of the television cart with a single support of FIG. 15.

(Continued)



The dashed lines showing portions of the television cart with a single support are included for the purpose of illustrating environment and form no part of the claimed design.

Where the figures show the article broken away, they are understood to indicate unclaimed length or width.

1 Claim, 18 Drawing Sheets

(58) Field of Classification Search

USPC ... 248/123.11; 348/825, 827, 836, 837, 838,
348/180, 184, 325, 739; 600/443;
D6/477-479, 407, 474, 460, 461, 468;
312/7.2; 341/12; 345/87, 104, 133, 156,
345/168, 169, 173; 720/605, 669, 600,
720/655; 369/99, 197; 455/344-347;
349/1, 2, 11, 62; 108/59, 91, 92, 96;
211/40, 41.12, 42, 49.1, 50, 85.2, 90.04,
211/187, 190, 119.003, 134.153, 87.01,
211/71.01

CPC A47B 43/00; G03B 1/00

See application file for complete search history.

(56) References Cited

U.S. PATENT DOCUMENTS

D783,837 S * 4/2017 Janzen D24/186
D784,998 S * 4/2017 Cutler D14/447
D796,047 S * 8/2017 Janzen D24/186

* cited by examiner

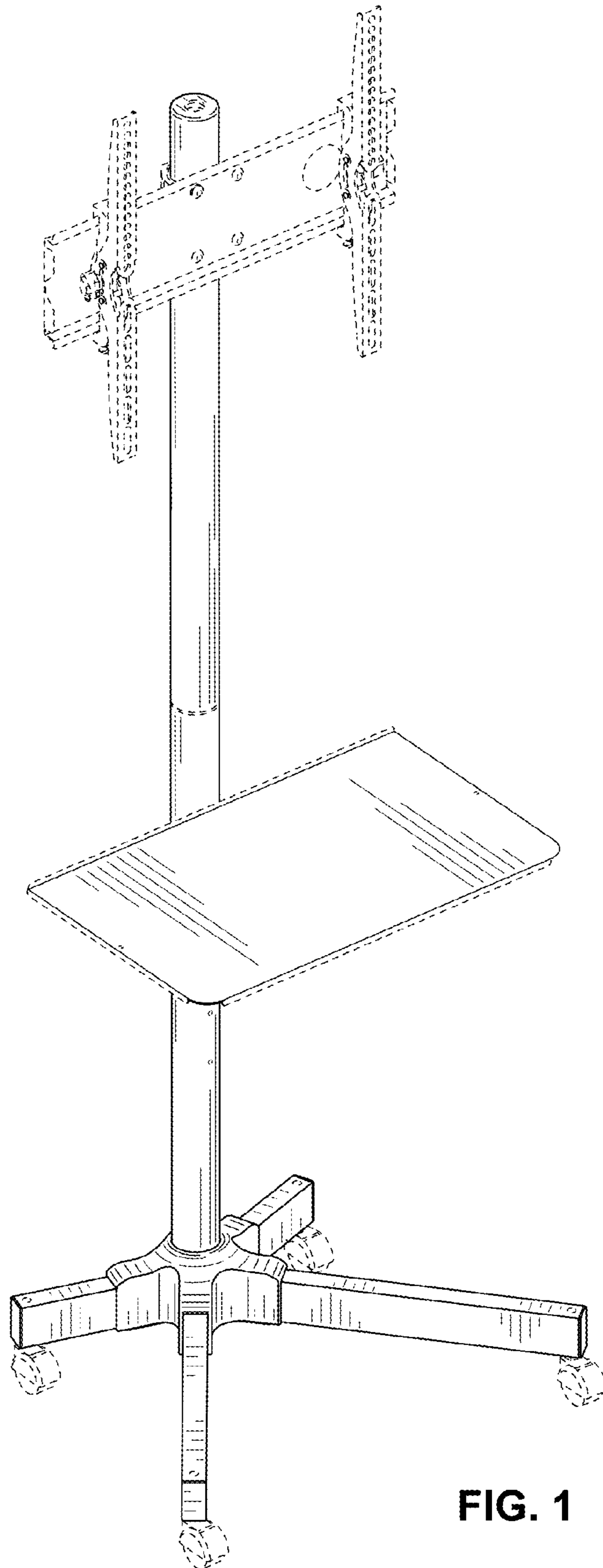


FIG. 1

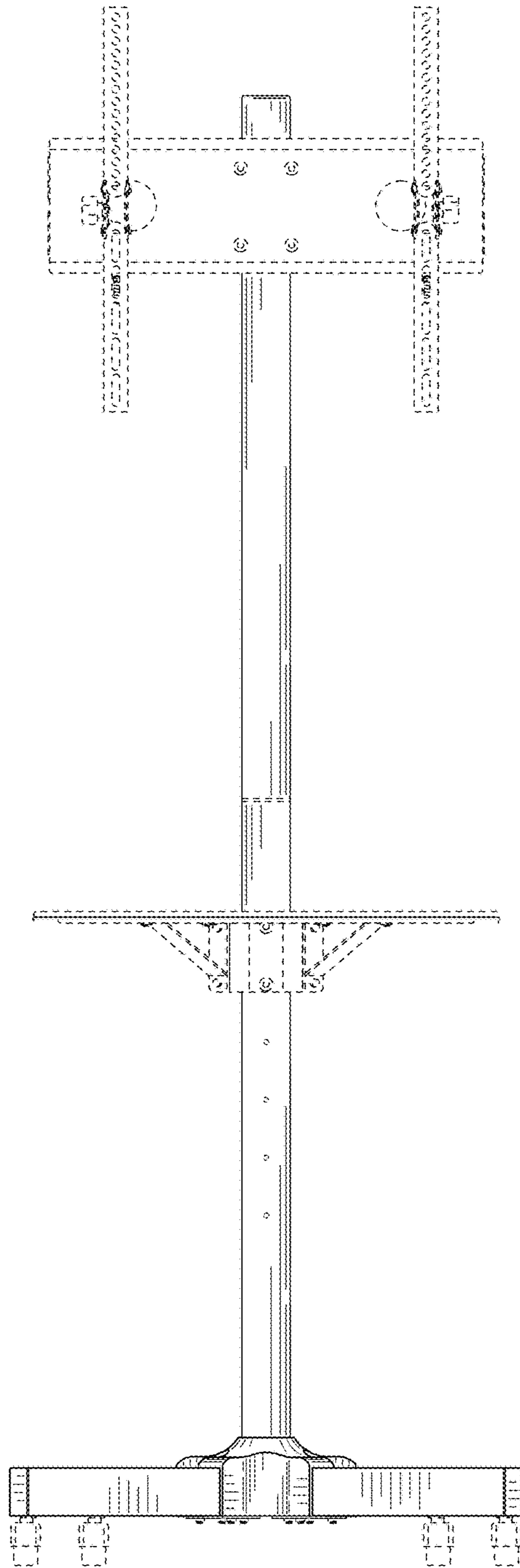


FIG. 2

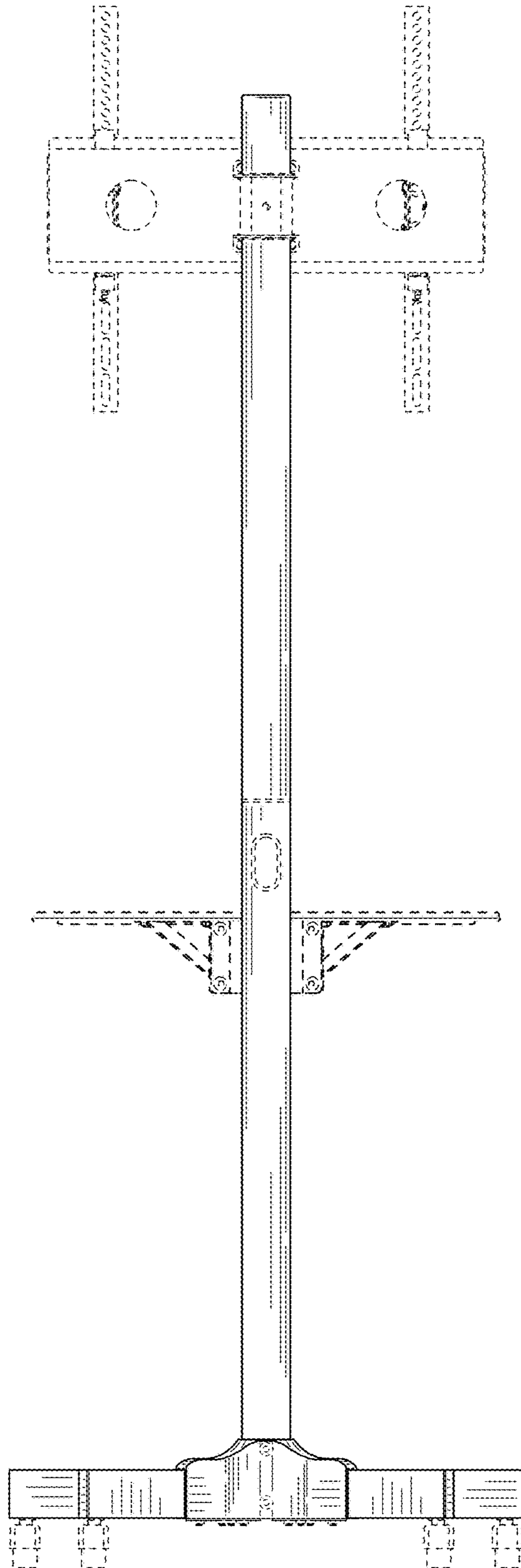


FIG. 3

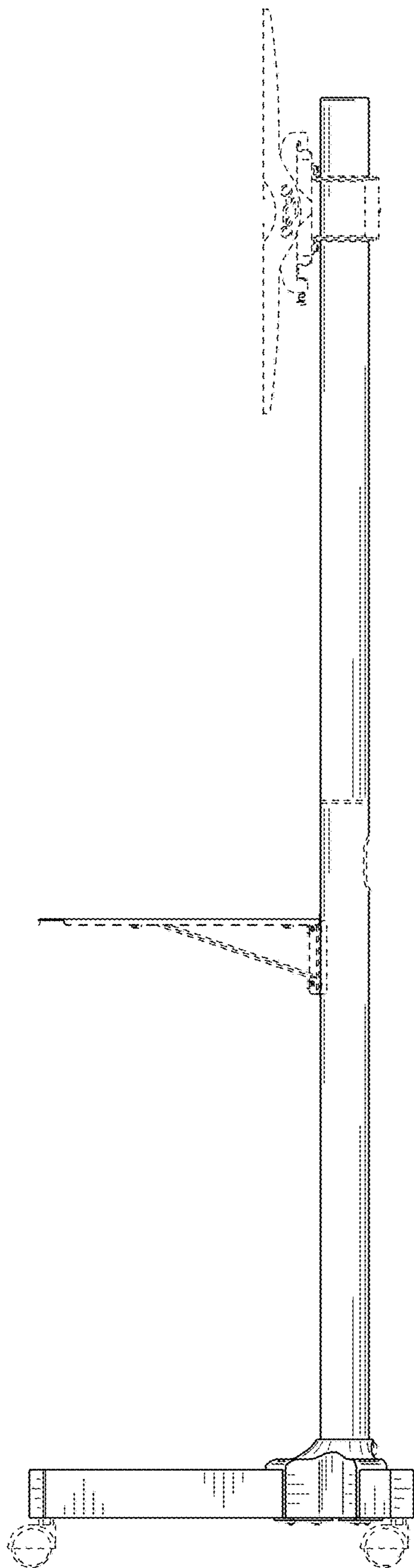


FIG. 4

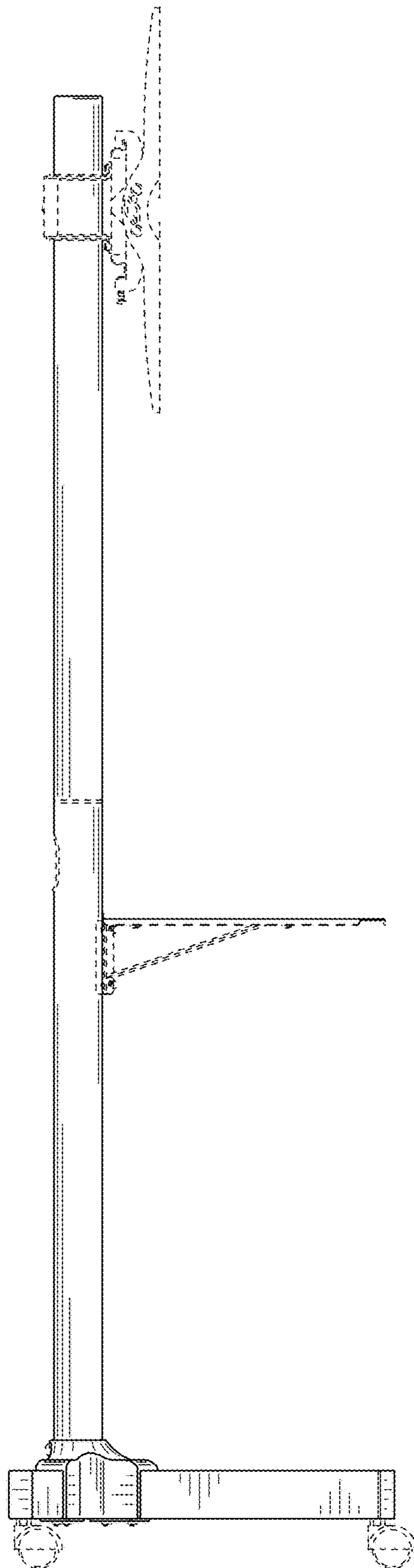


FIG. 5

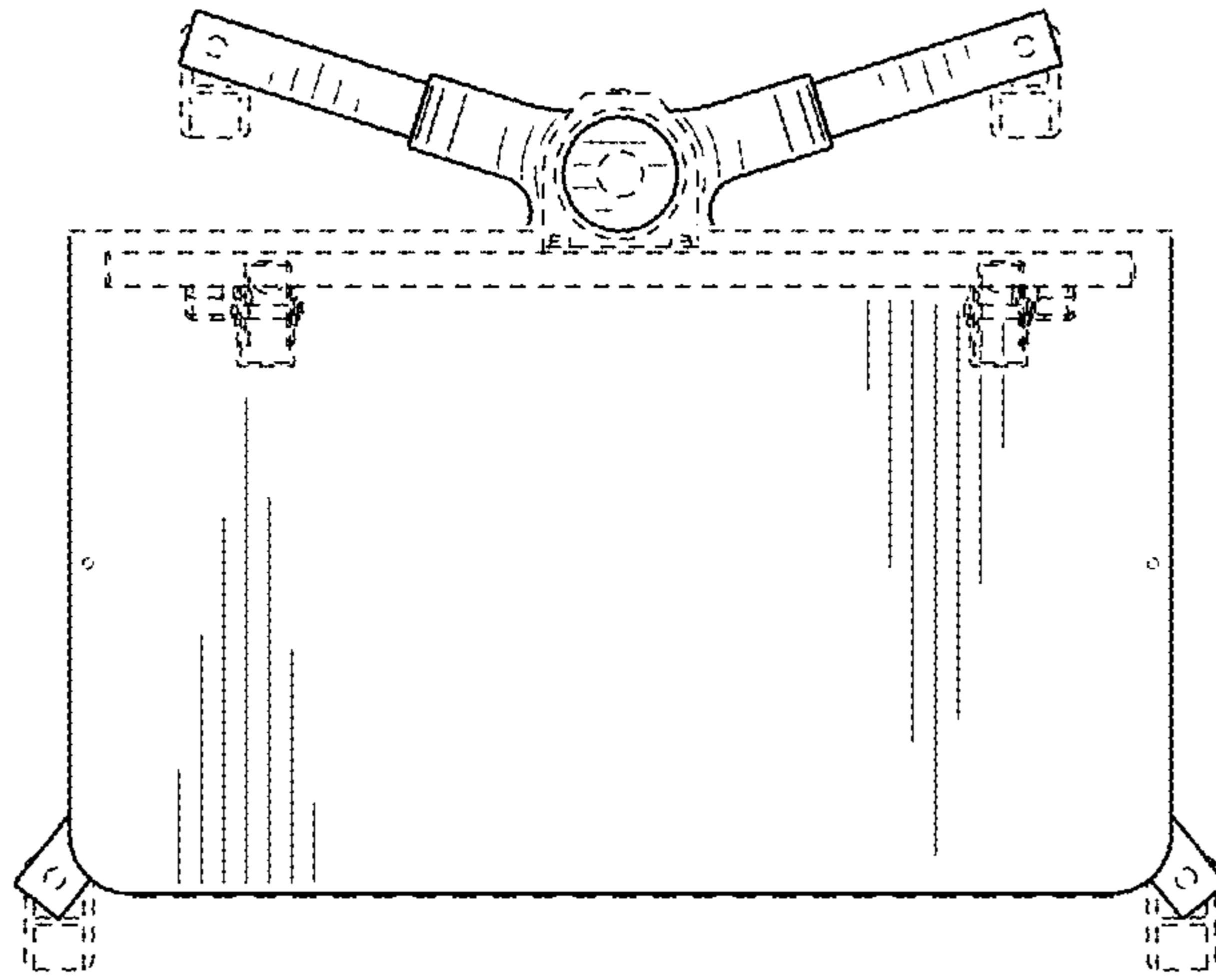


FIG. 6

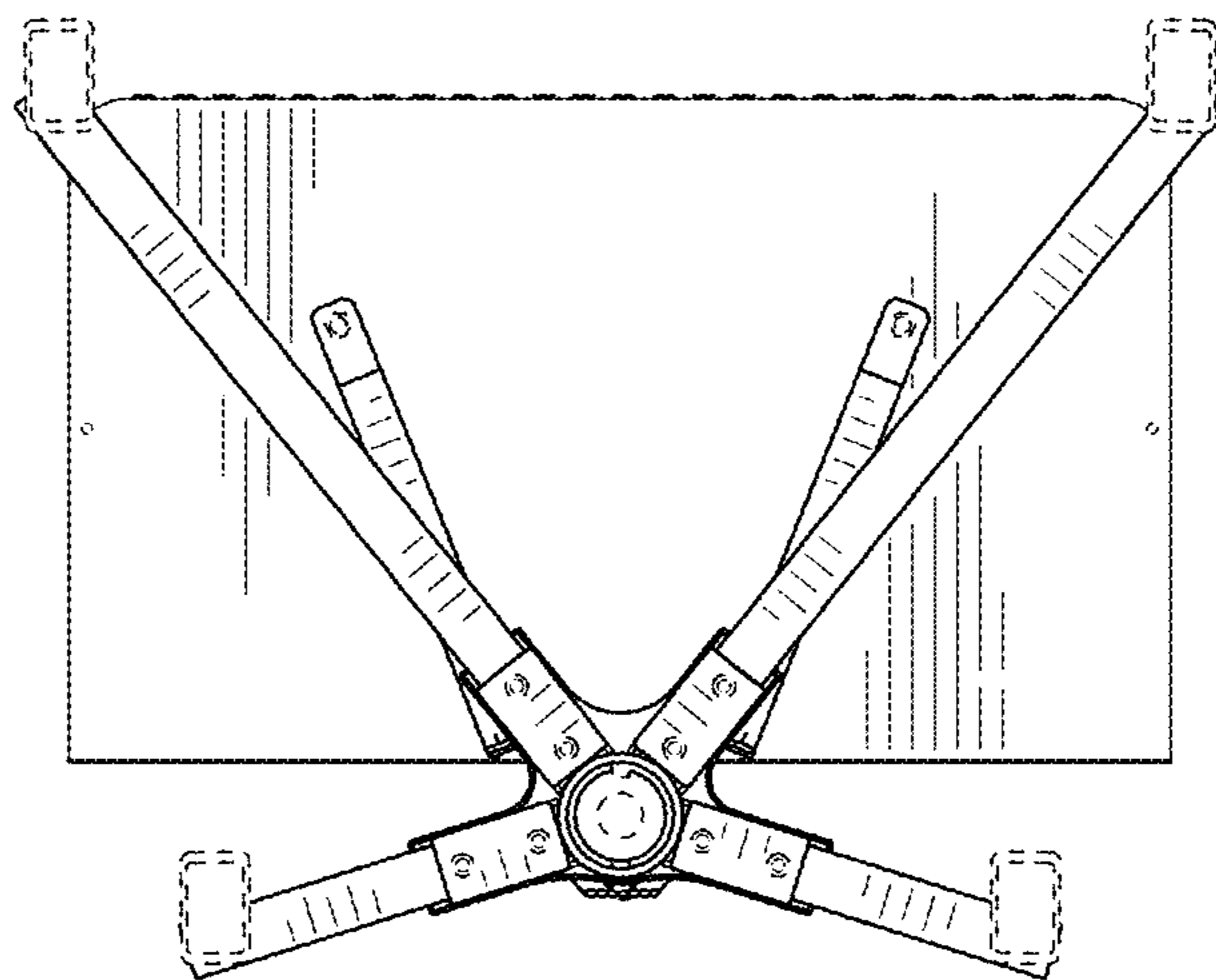


FIG. 7

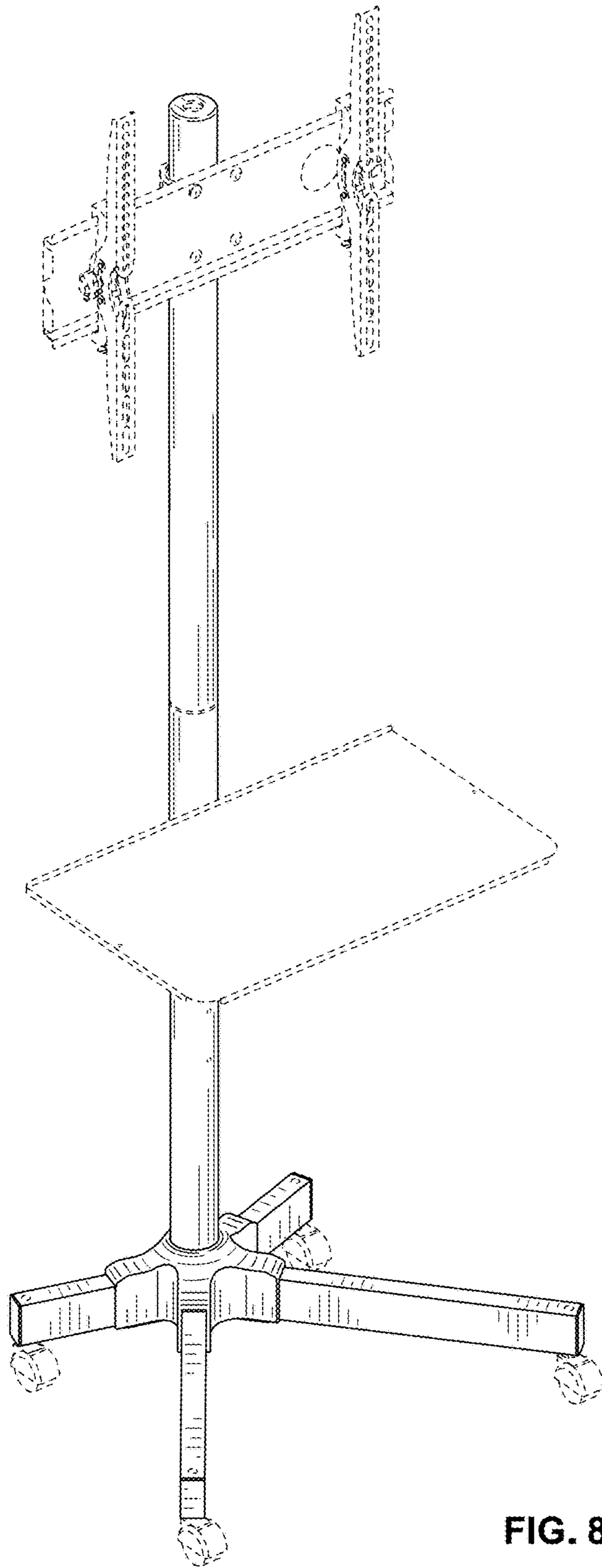


FIG. 8

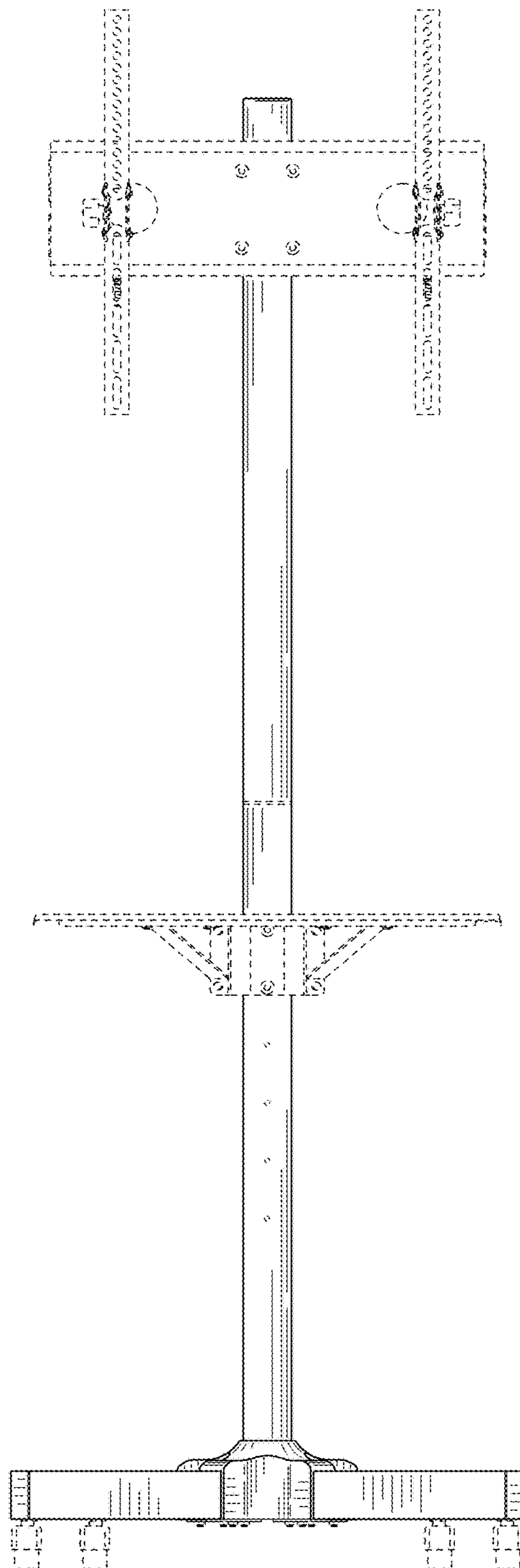


FIG. 9

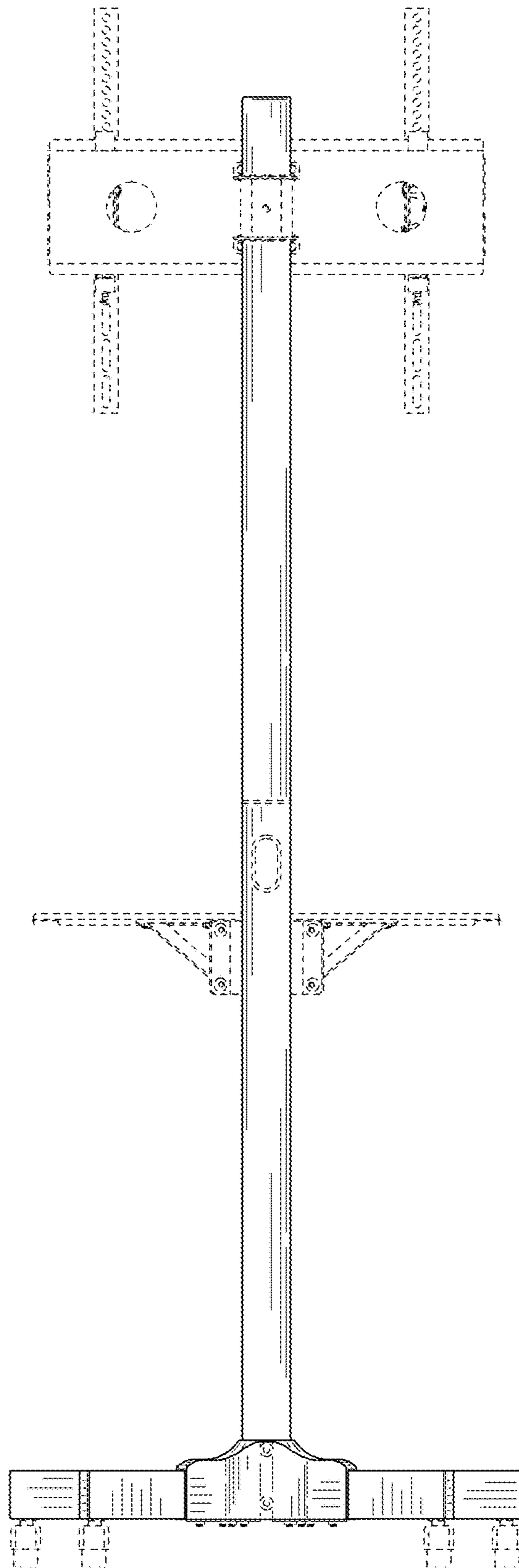


FIG. 10

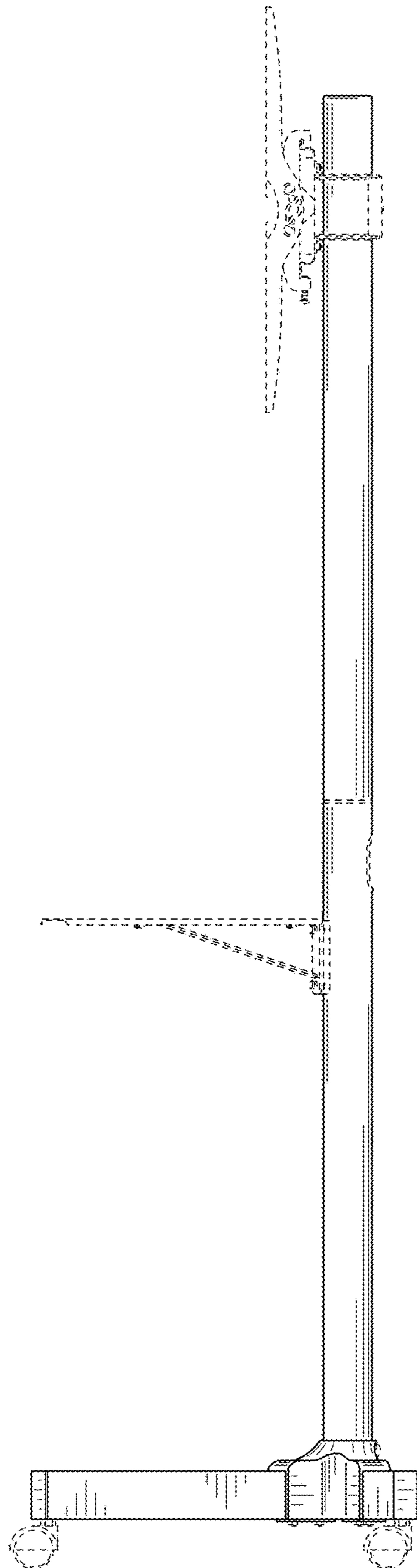


FIG. 11

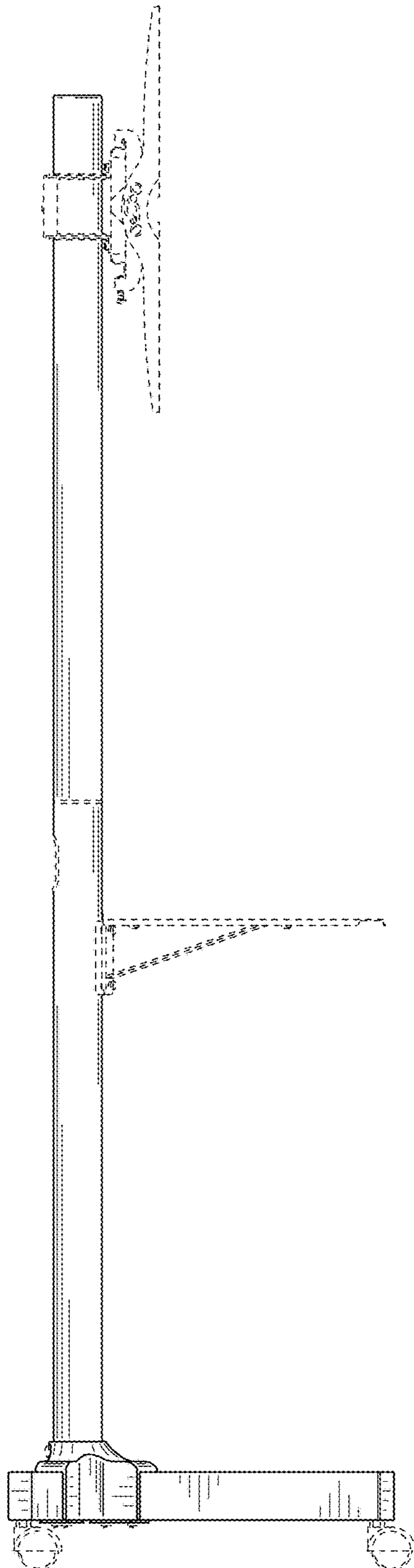


FIG. 12

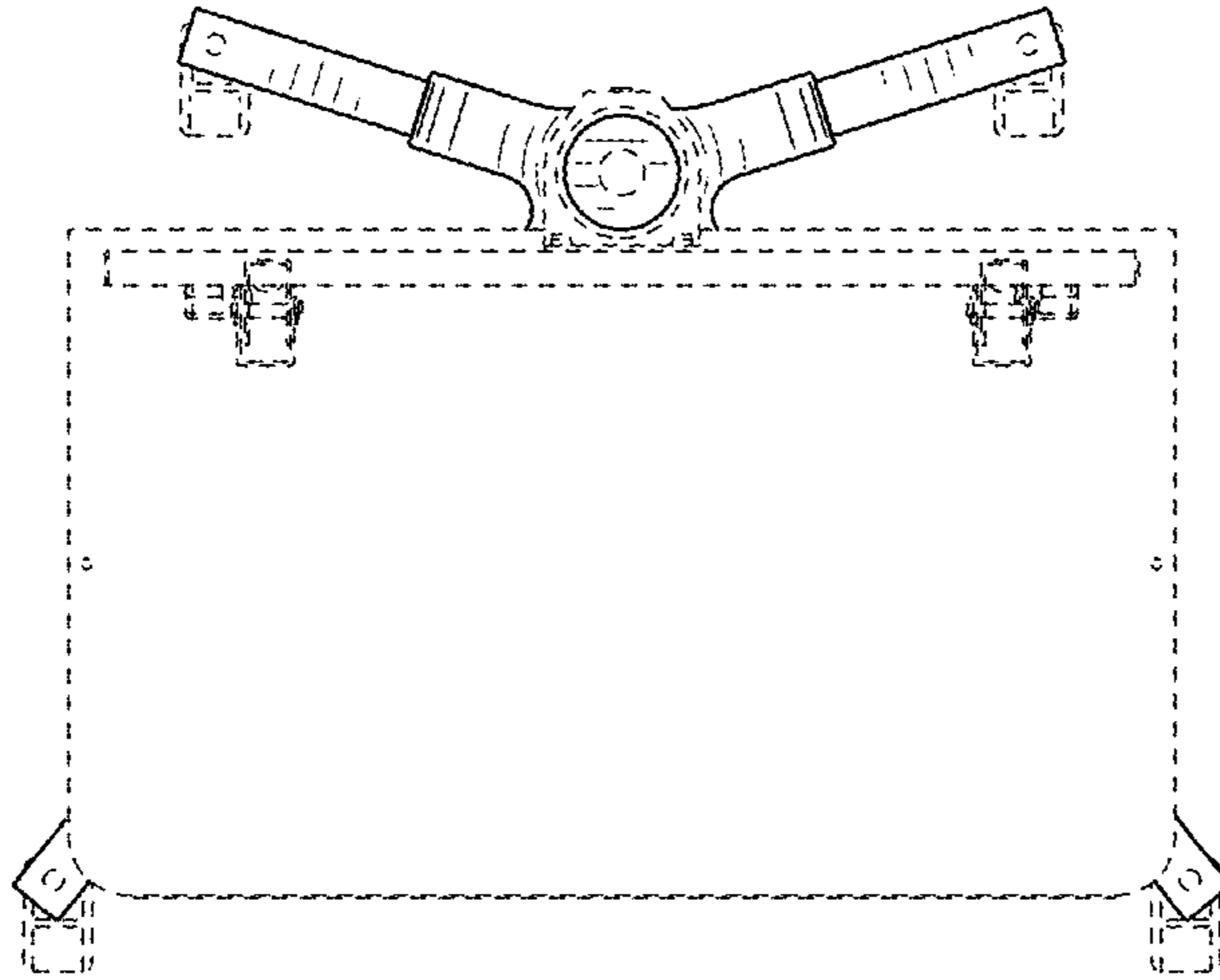


FIG. 13

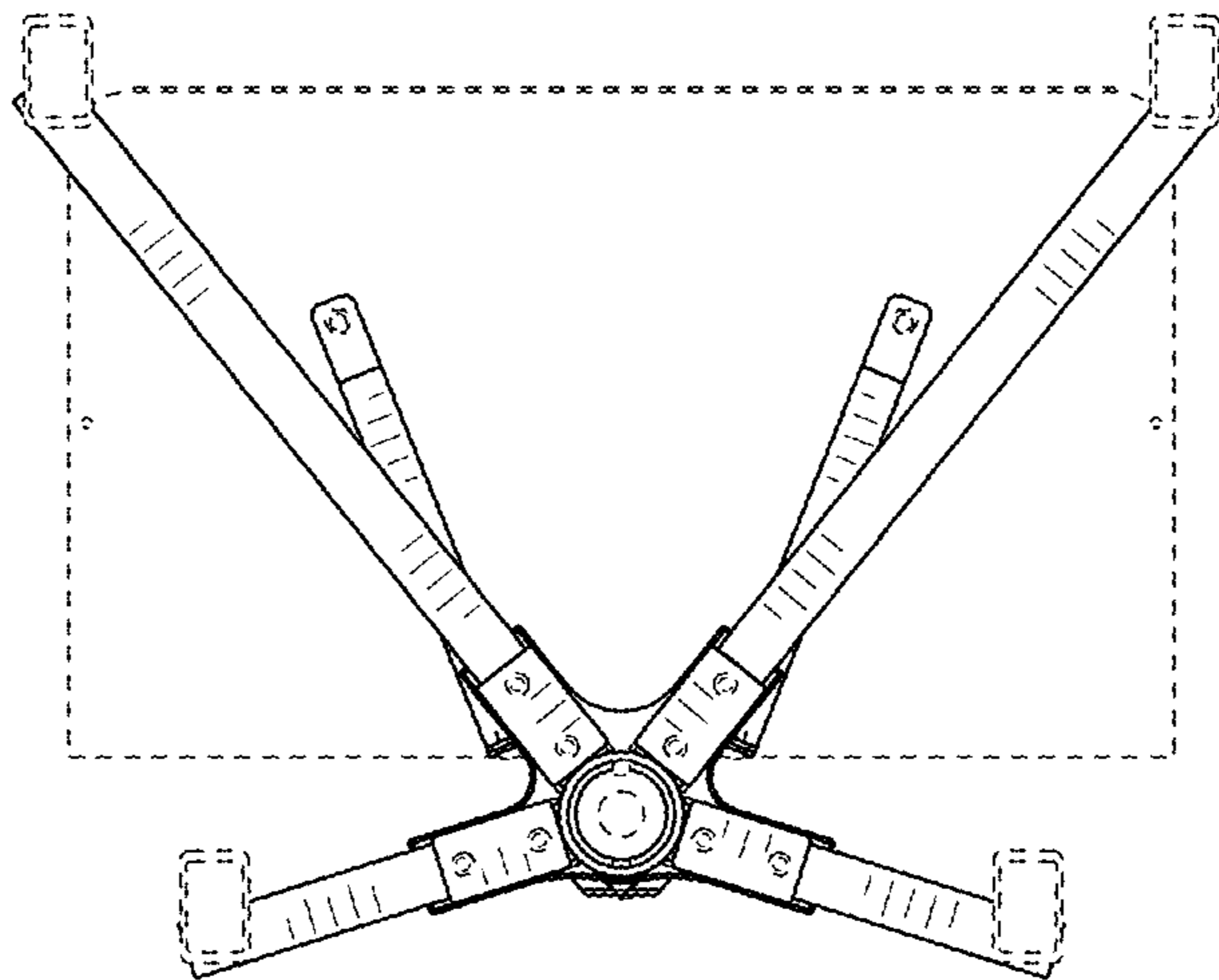


FIG. 14

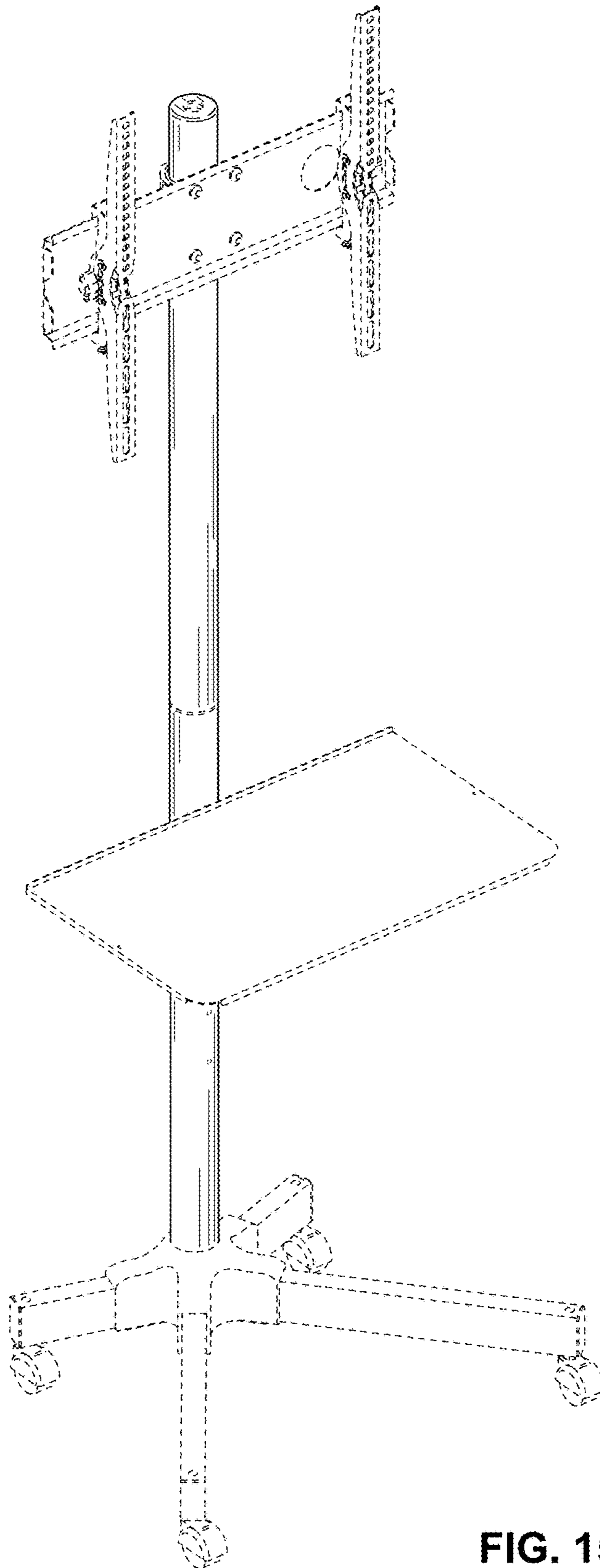


FIG. 15

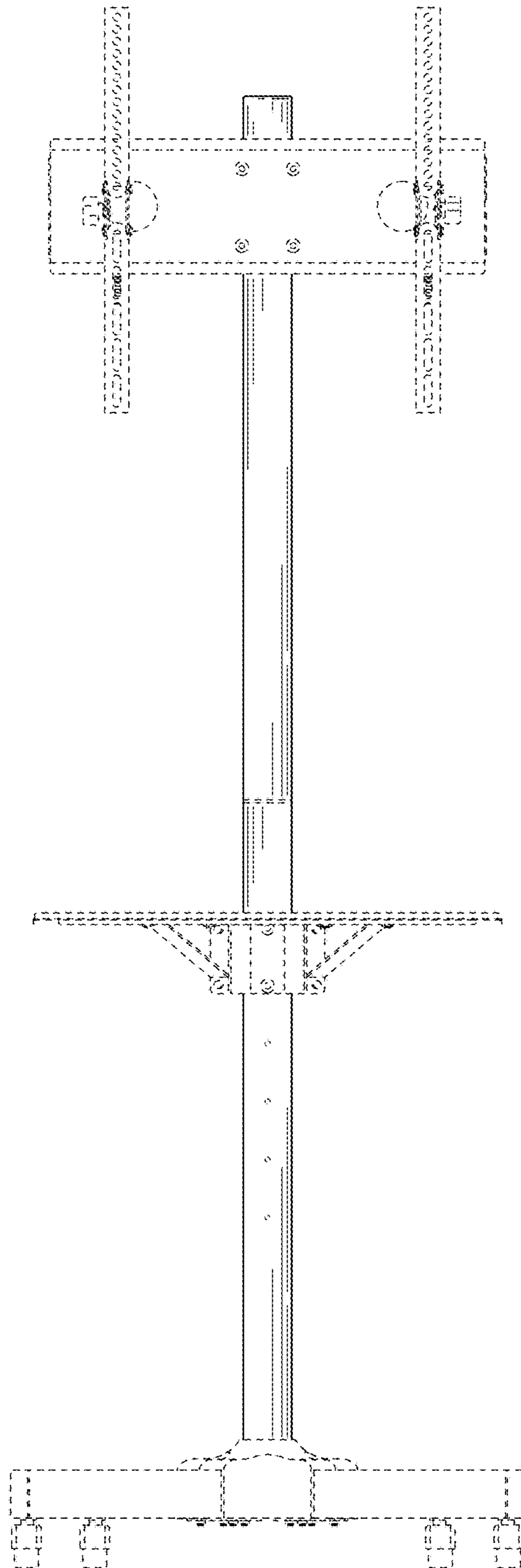


FIG. 16

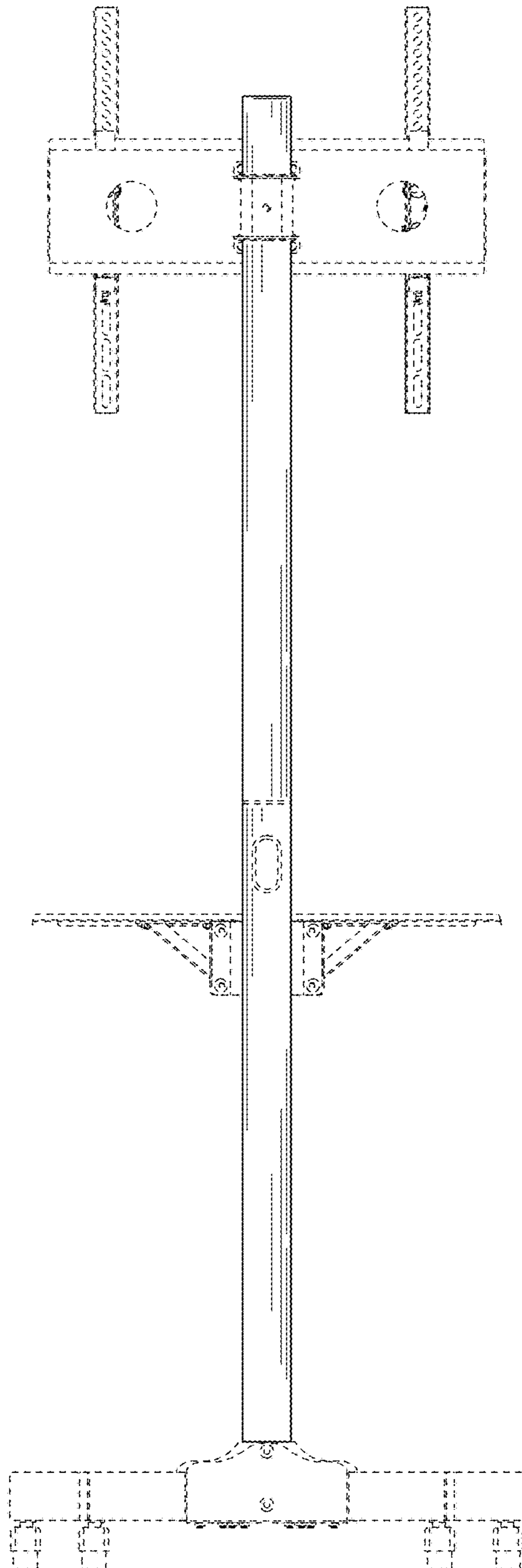


FIG. 17

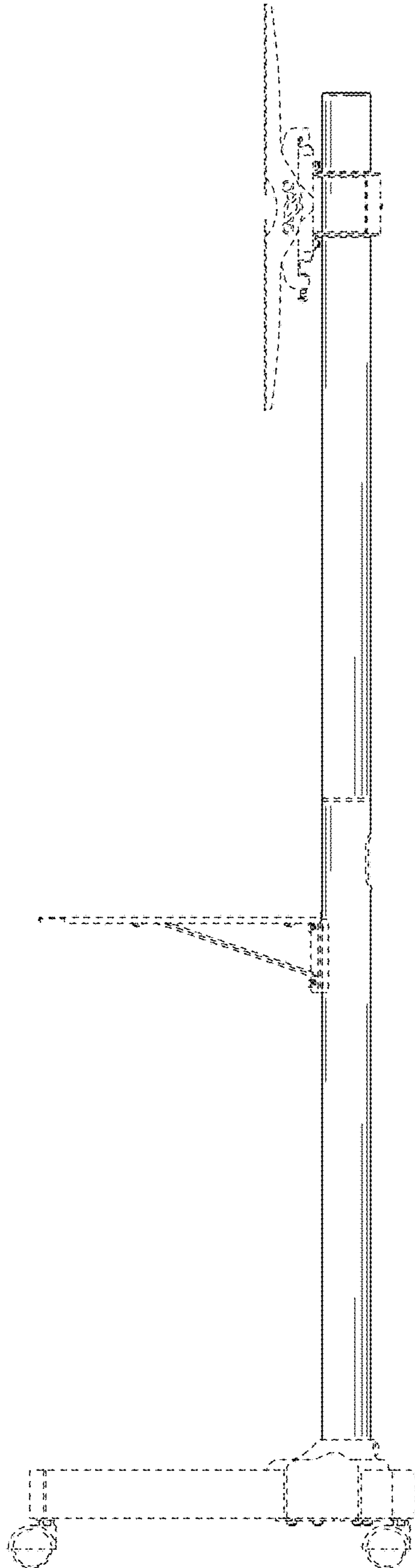


FIG. 18

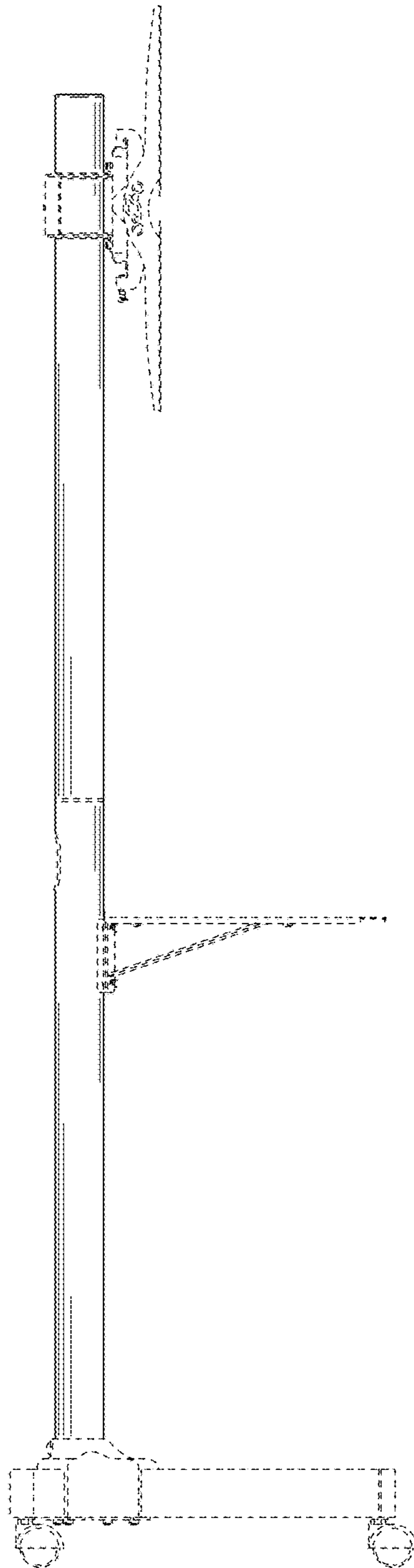


FIG. 19

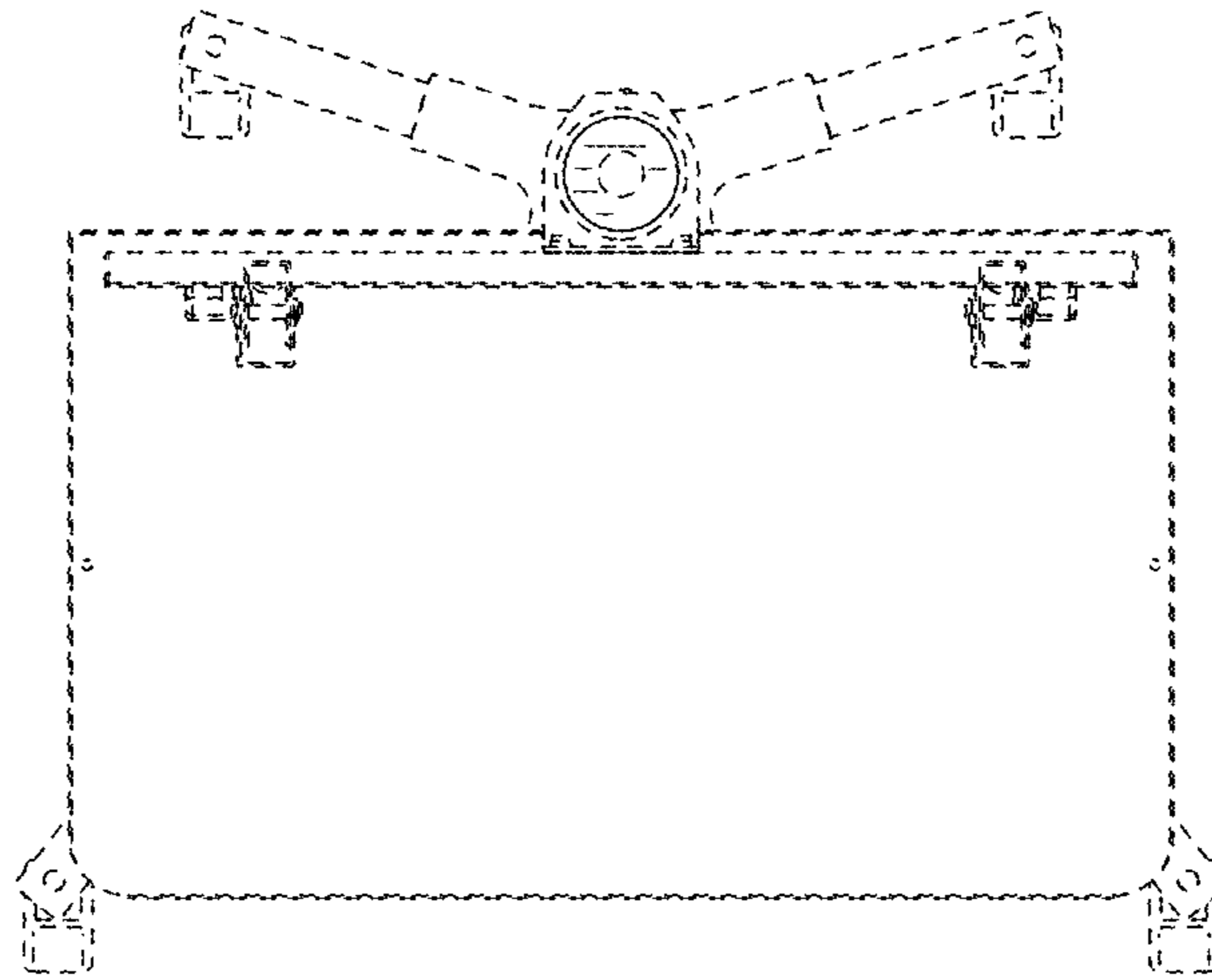


FIG. 20

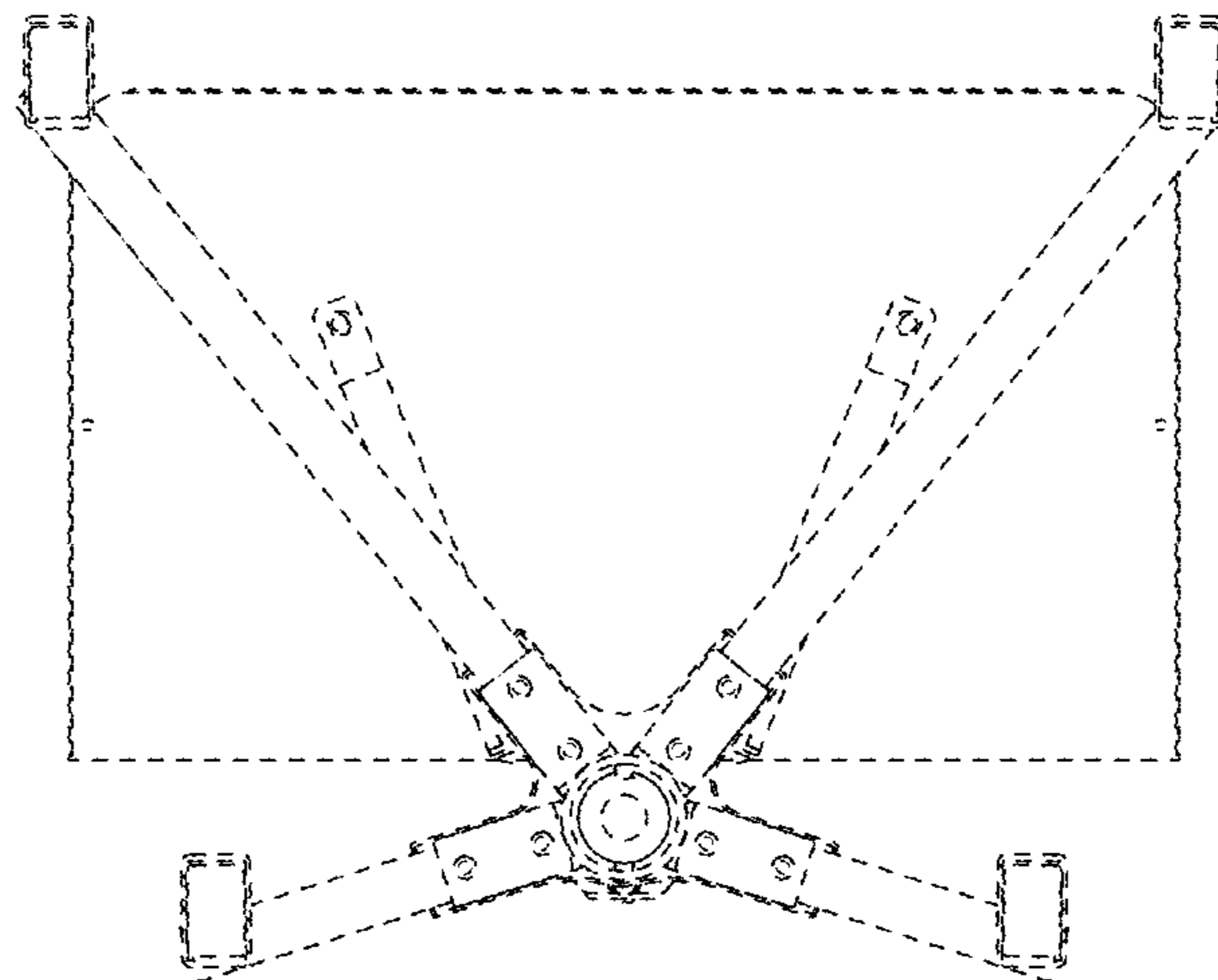


FIG. 21