



US00D866535S

(12) **United States Design Patent** (10) **Patent No.:** **US D866,535 S**  
**Horton** (45) **Date of Patent:** **\*\* Nov. 12, 2019**

(54) **MICROPHONE STAND WITH UNEVEN LEGS**  
(71) Applicant: **Slot Kits, LLC**, Philadelphia, PA (US)  
(72) Inventor: **Todd Martin Horton**, Havertown, PA (US)  
(73) Assignee: **Slot Kits, LLC**, Philadelphia, PA (US)  
(\*\*) Term: **15 Years**  
(21) Appl. No.: **29/619,896**

(22) Filed: **Oct. 3, 2017**  
(51) **LOC (12) Cl.** ..... **14-01**  
(52) **U.S. Cl.**  
USPC ..... **D14/229**  
(58) **Field of Classification Search**  
USPC ..... D14/224-229; D16/244; D17/99;  
D6/681; 248/125.1, 166, 185.1;  
381/355, 359, 361-363, 365, 366, 369,  
381/375; 379/428.01, 428.04, 431,  
379/433.03  
CPC . H04R 25/00; H04R 1/02; H04R 5/02; H04R  
9/08; F16M 11/38; F16M 13/00; F16M  
11/00  
See application file for complete search history.

(56) **References Cited**  
**U.S. PATENT DOCUMENTS**  
3,204,779 A \* 9/1965 Warner ..... A47F 5/13  
211/182  
6,056,250 A \* 5/2000 Hillstrom ..... E01F 9/688  
248/127  
6,386,491 B1 \* 5/2002 Bissett ..... A47F 5/04  
211/205

(Continued)

**OTHER PUBLICATIONS**

Catalog (cover, p. 7 of catalog showing relevant information and p. 112 of catalog showing vendor information), dated Feb. 2015.

(Continued)

*Primary Examiner* — Katie Jane Stofko  
(74) *Attorney, Agent, or Firm* — Nexsen Pruet, LLC;  
Todd S. Serbin

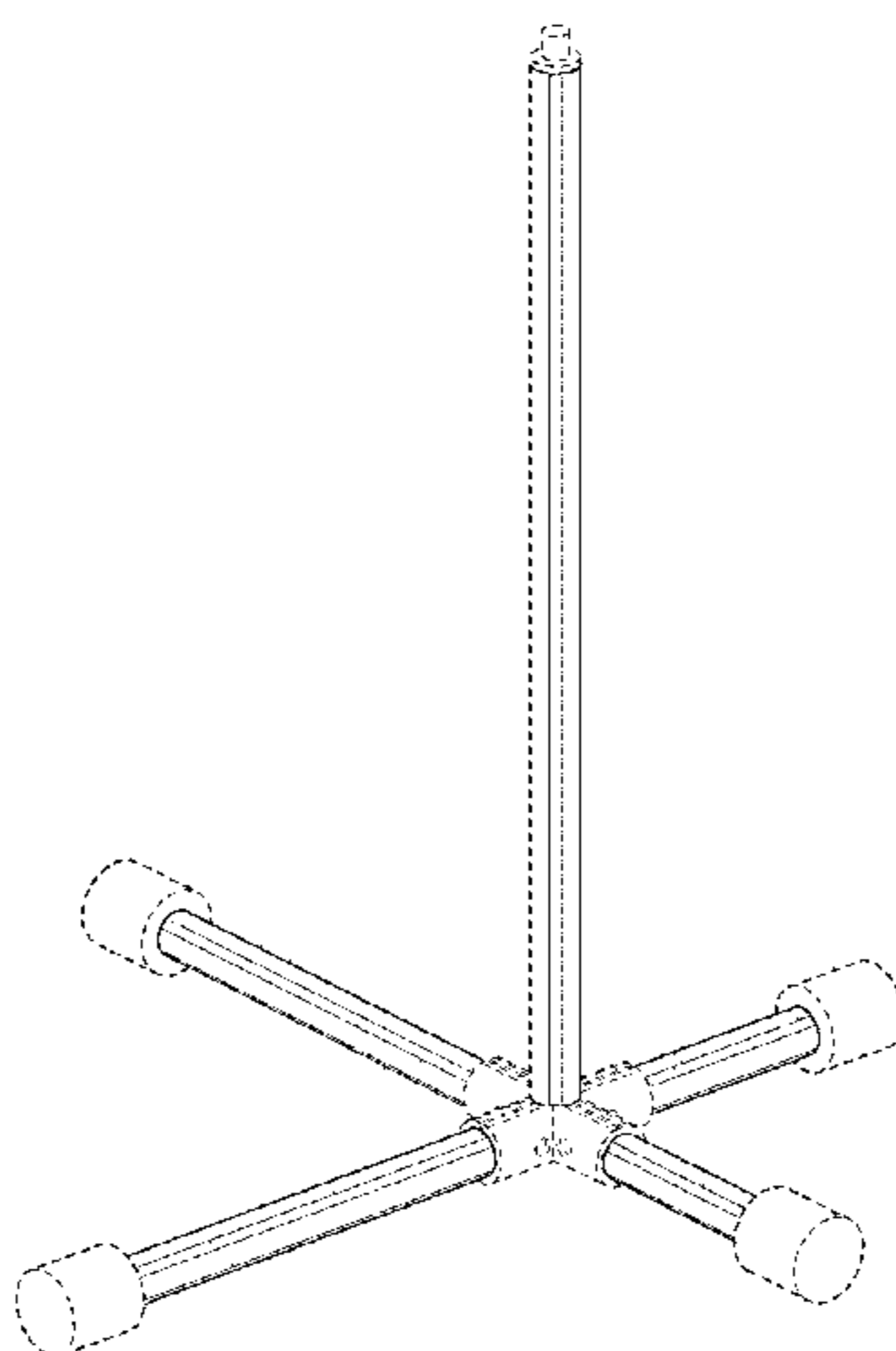
(57) **CLAIM**

The ornamental design for a microphone stand with uneven legs, as shown and described.

**DESCRIPTION**

FIG. 1 is a perspective view of a microphone stand with uneven legs;  
FIG. 2 is a front view thereof;  
FIG. 3 is a rear view thereof;  
FIG. 4 is a left side view thereof;  
FIG. 5 is a right side view thereof;  
FIG. 6 is a top view thereof;  
FIG. 7 is a bottom view thereof;  
FIG. 8 is a cross-sectional view thereof, taken from line 8-8 shown in FIG. 7;  
FIG. 9 is a perspective view thereof, shown in a modified form and in an environment of use;  
FIG. 10 is another perspective view thereof, shown in a modified form and in an environment of use;  
FIG. 11 is another perspective view thereof, shown in a modified form and in an environment of use;  
FIG. 12 is another perspective view thereof, shown in a modified form and in an environment of use; and  
FIG. 13 is another perspective view thereof, shown in a modified form and in an environment of use.  
The broken lines shown in FIGS. 1-8 illustrate portions of the microphone stand with uneven legs that form no part of the claimed design. The broken lines illustrating extra mounting posts in FIGS. 9-13 are environment that form no part of the claimed design, while the remaining broken lines in FIGS. 9-13 illustrate portions of the microphone stand with uneven legs that form no part of the claimed design.

**1 Claim, 13 Drawing Sheets**



(56)

**References Cited**

U.S. PATENT DOCUMENTS

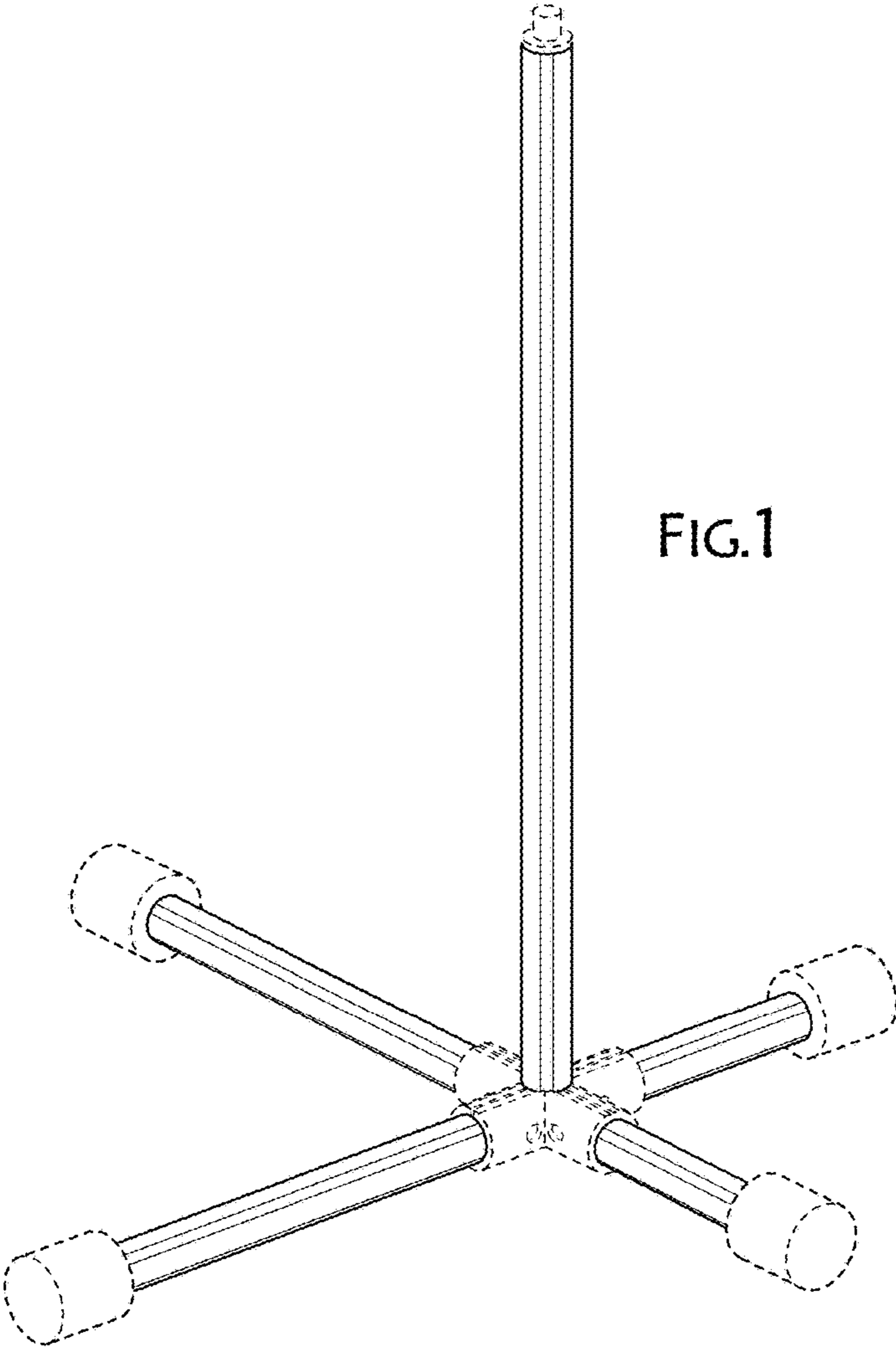
D469,278 S \* 1/2003 Lippert ..... D17/13  
D566,990 S \* 4/2008 Cook ..... D6/681.3  
D643,230 S \* 8/2011 Hepeng ..... D6/708.25  
D664,374 S \* 7/2012 Capella ..... D6/681.3  
D687,421 S \* 8/2013 Slaton ..... D14/229  
8,567,730 B1 \* 10/2013 Stevenson ..... A61M 5/1415  
248/125.8  
D704,956 S \* 5/2014 English ..... D6/552  
D793,131 S \* 8/2017 Gazit ..... D6/681.1  
D812,941 S \* 3/2018 Procaccini ..... D6/681.1  
2007/0175848 A1 \* 8/2007 Mallen ..... A47G 25/0671  
211/196

OTHER PUBLICATIONS

Webpage from On-line merchant Sweetwater showing Triad-Orbit Drum Overhead Microphone Stand Package from <https://www.sweetwater.com/store/detail/TOPack2> dated Jan. 4, 2018.

Webpage from On-line merchant Sweetwater showing Triad-Orbit Dual MIC System Microphone Stand Package from <https://www.sweetwater.com/store/detail/TOPack3> Jan. 4, 2018.

\* cited by examiner



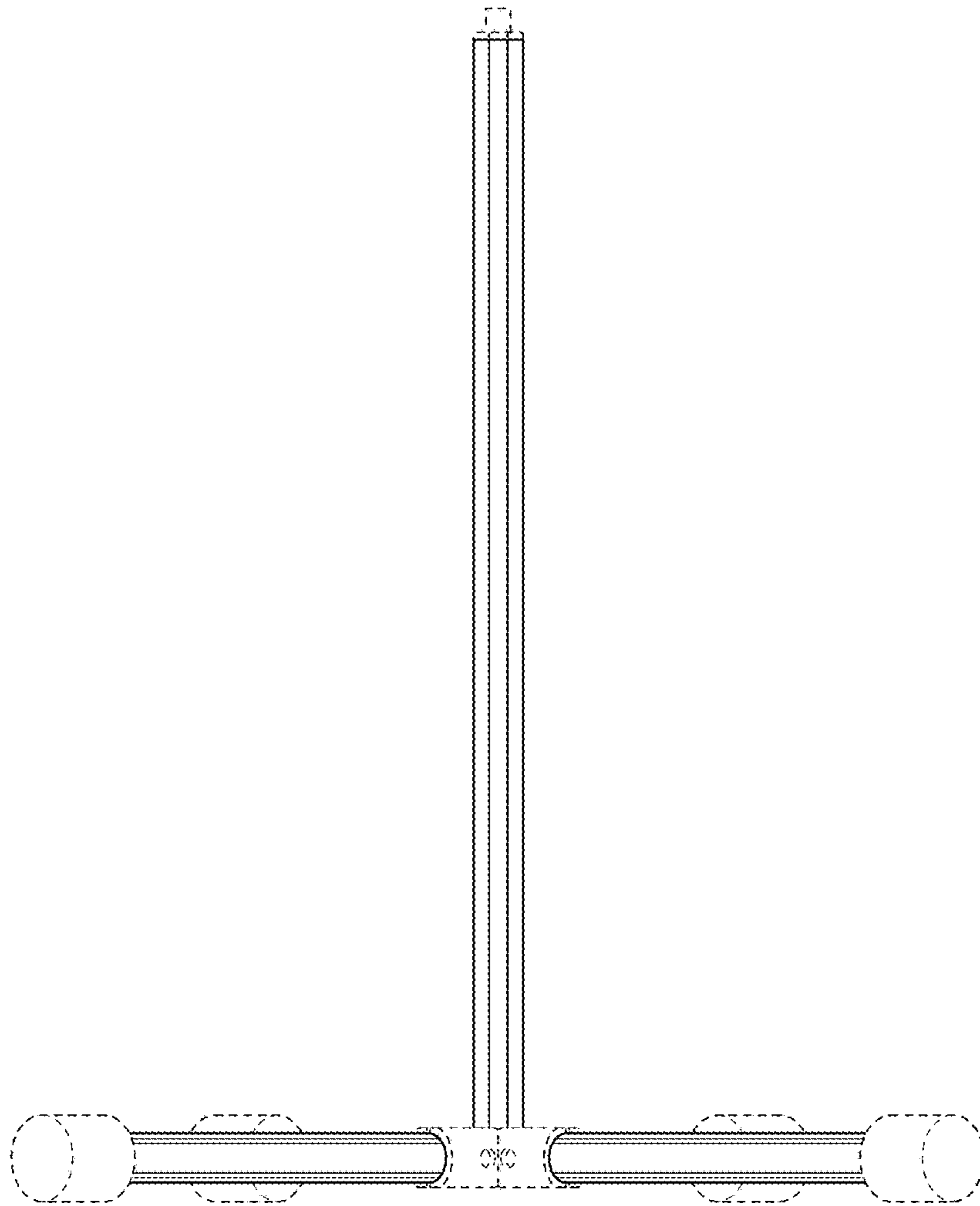


FIG.2

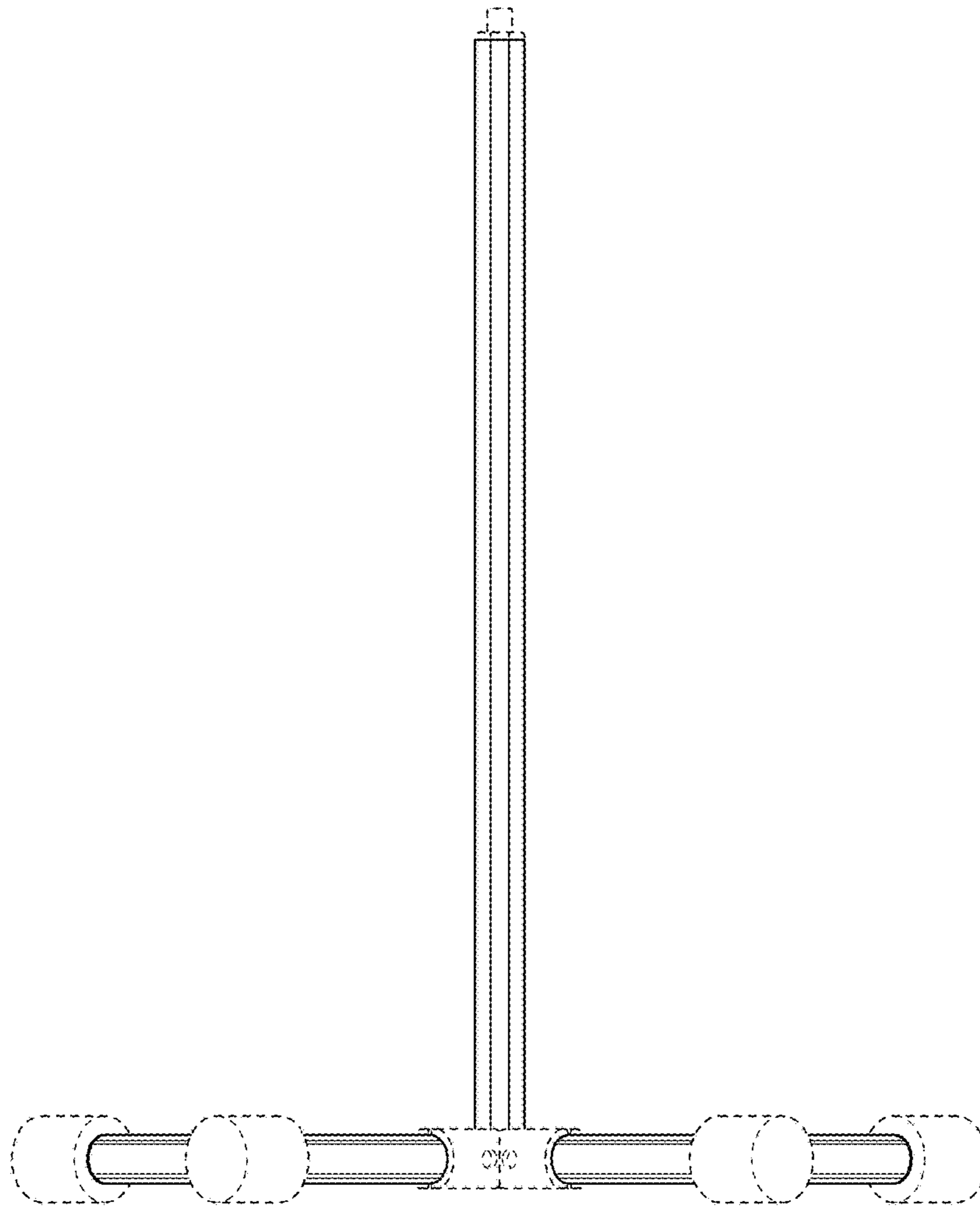


FIG.3

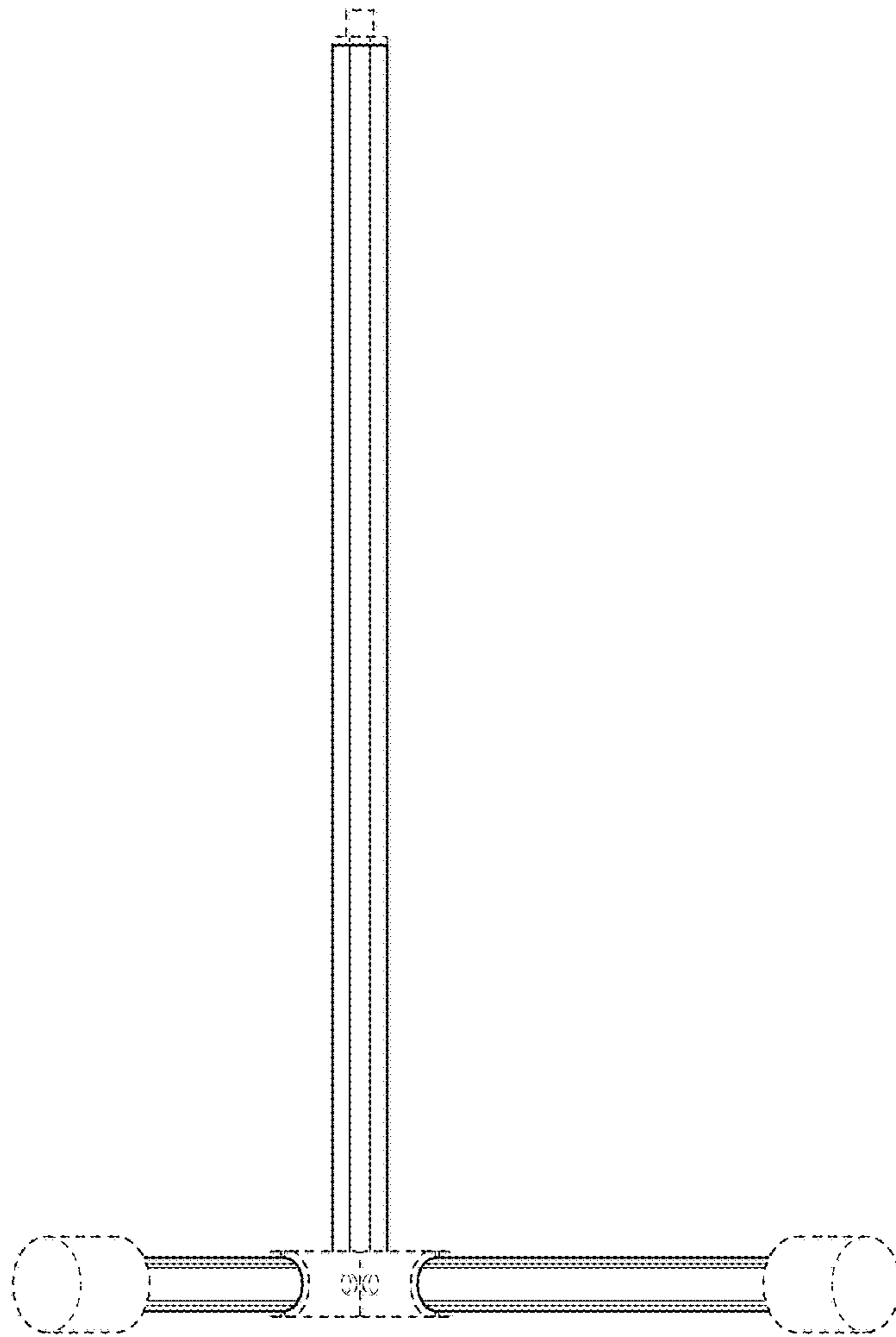


FIG. 4

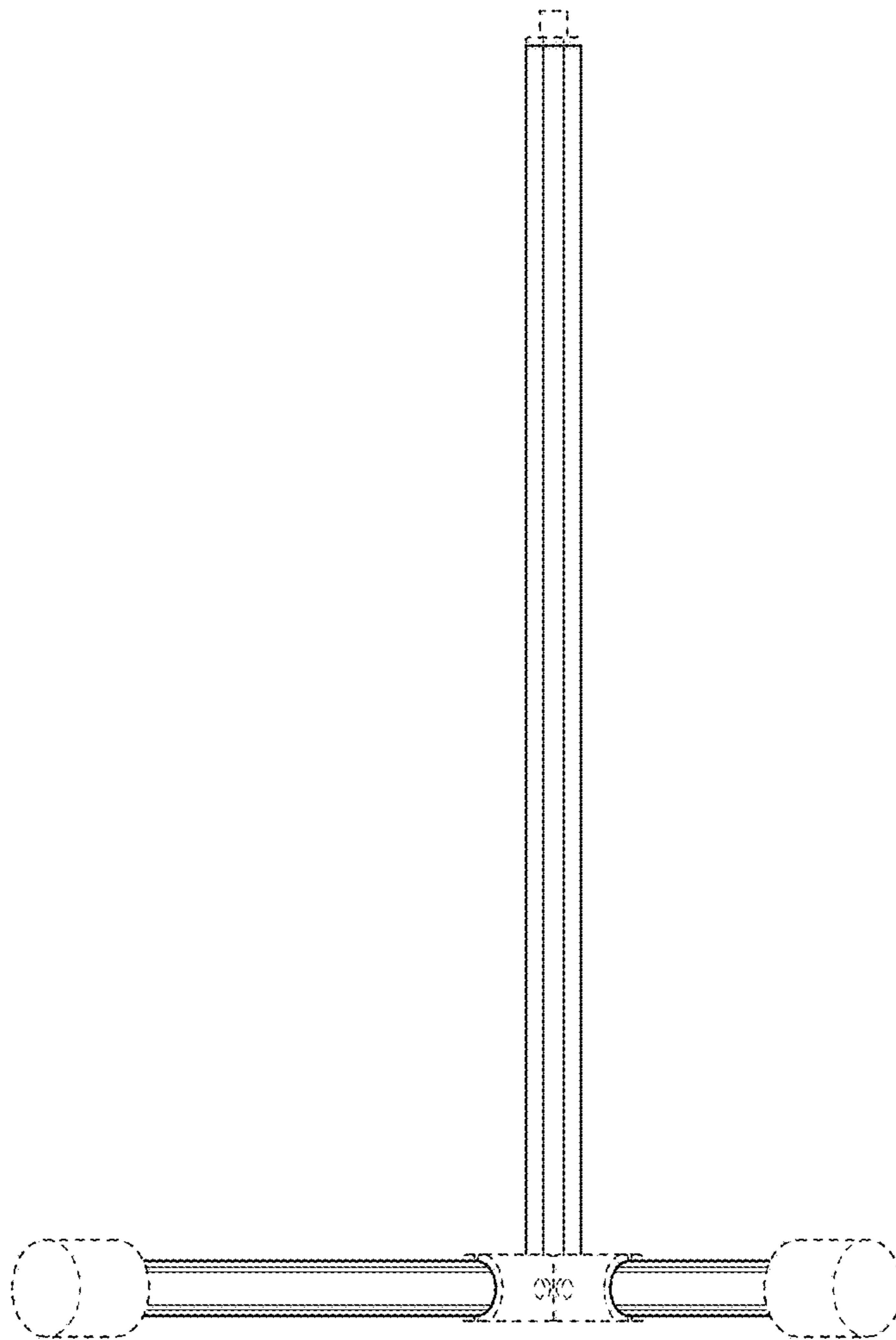


FIG.5

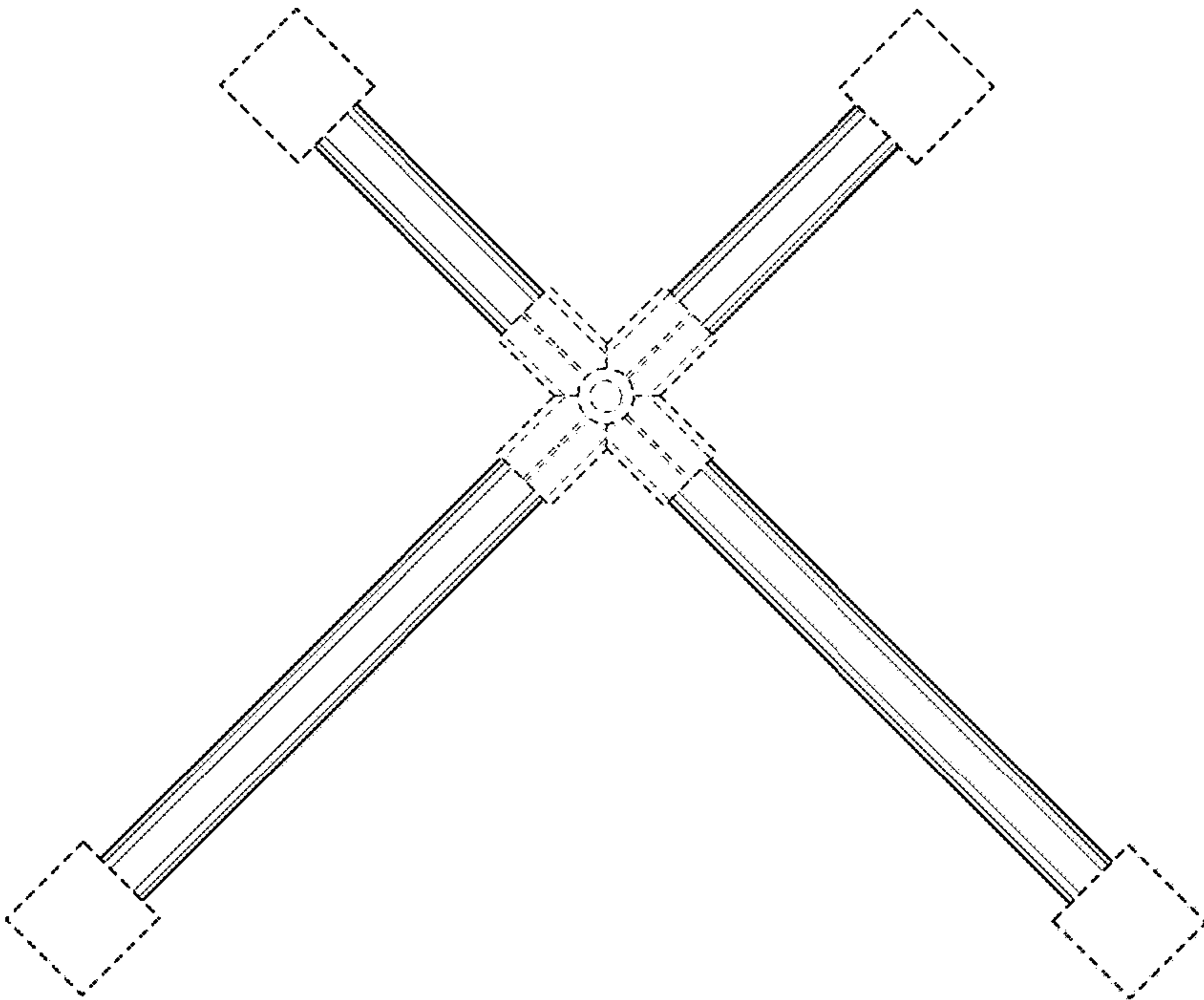


FIG.6



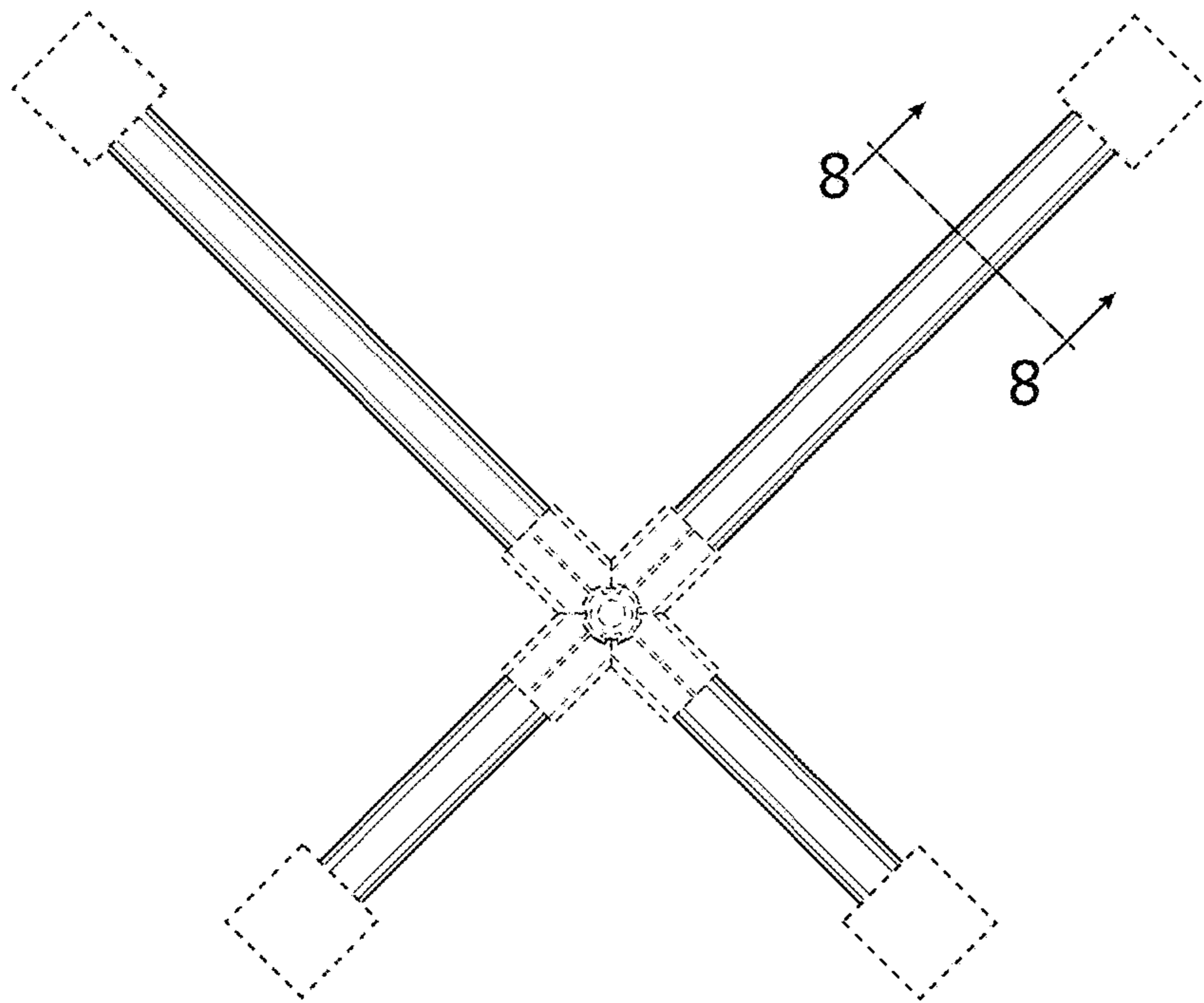


FIG.7

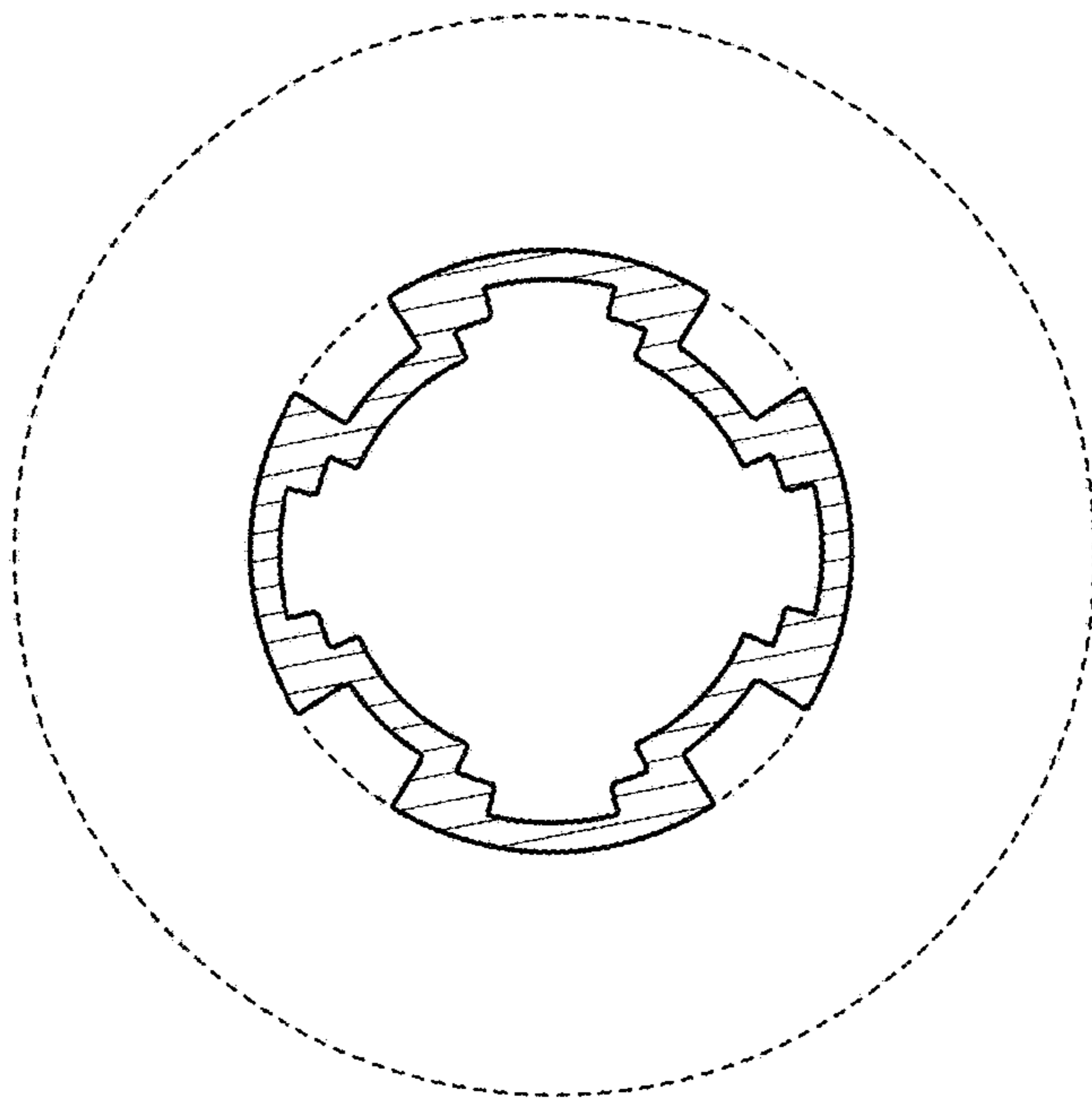
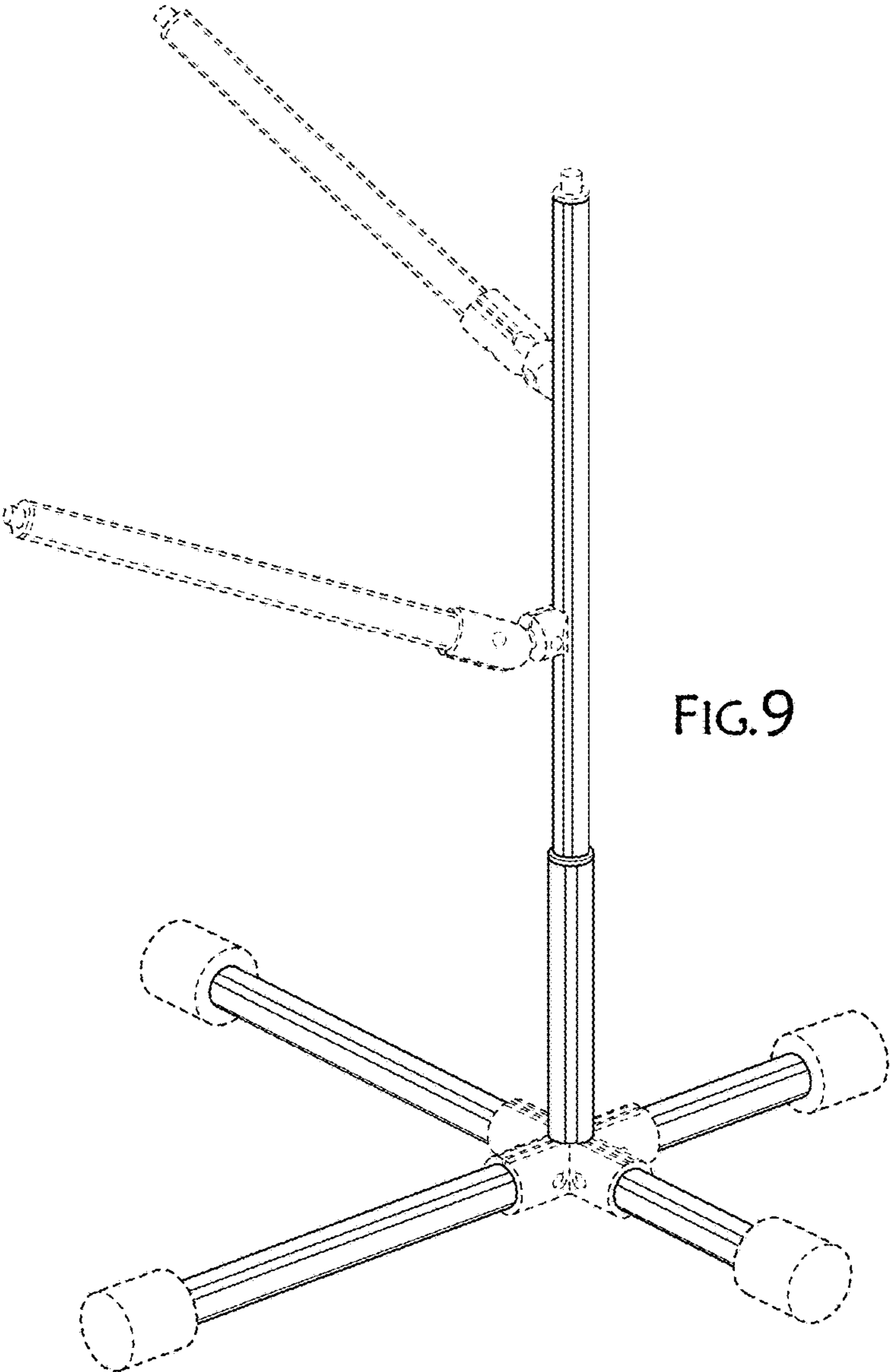


FIG. 8



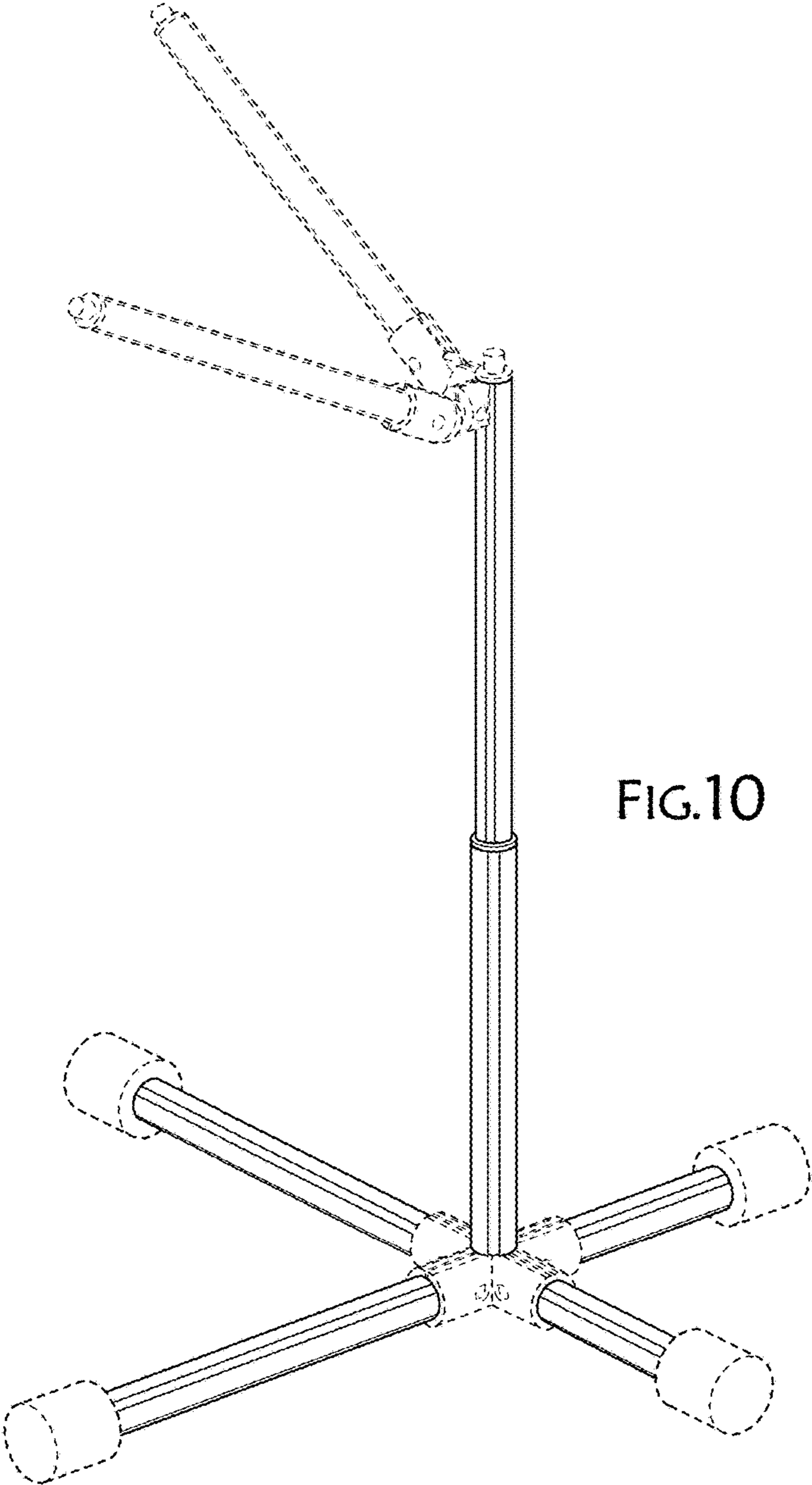


FIG.10

