

US00D866534S

(12) **United States Design Patent** (10) **Patent No.:** **US D866,534 S**  
**Horton** (45) **Date of Patent:** **\*\* Nov. 12, 2019**

- (54) **MICROPHONE STAND WITH A TOP MOUNTED ARM**
- (71) Applicant: **Slot Kits, LLC**, Philadelphia, PA (US)
- (72) Inventor: **Todd Martin Horton**, Havertown, PA (US)
- (73) Assignee: **Slot Kits, LLC**, Philadelphia, PA (US)
- (\*\*) Term: **15 Years**
- (21) Appl. No.: **29/619,888**
- (22) Filed: **Oct. 3, 2017**
- (51) **LOC (12) Cl.** ..... **14-01**
- (52) **U.S. Cl.**  
USPC ..... **D14/229**
- (58) **Field of Classification Search**  
USPC ..... D14/224-229; D16/244; D17/99;  
D6/681; 248/125.1, 166, 185.1;  
381/355, 359, 361-363, 365, 366, 369,  
381/375; 379/428.01, 428.04, 431,  
379/433.03  
CPC . H04R 25/00; H04R 1/02; H04R 5/02; H04R  
9/08; F16M 11/38; F16M 13/00; F16M  
11/00  
See application file for complete search history.

- (56) **References Cited**  
**U.S. PATENT DOCUMENTS**  
3,204,779 A \* 9/1965 Warner ..... A47F 5/13  
211/182  
6,056,250 A \* 5/2000 Hillstrom ..... E01F 9/688  
248/127  
6,386,491 B1 \* 5/2002 Bissett ..... A47F 5/04  
211/205  
D469,278 S \* 1/2003 Lippert ..... D17/13  
D566,990 S \* 4/2008 Cook ..... D6/681.3  
D643,230 S \* 8/2011 Hepeng ..... D6/708.25  
(Continued)

OTHER PUBLICATIONS

Catalog (cover, p. 7 of catalog showing relevant information and p. 112 of catalog showing vendor information), dated Feb. 2015.  
(Continued)

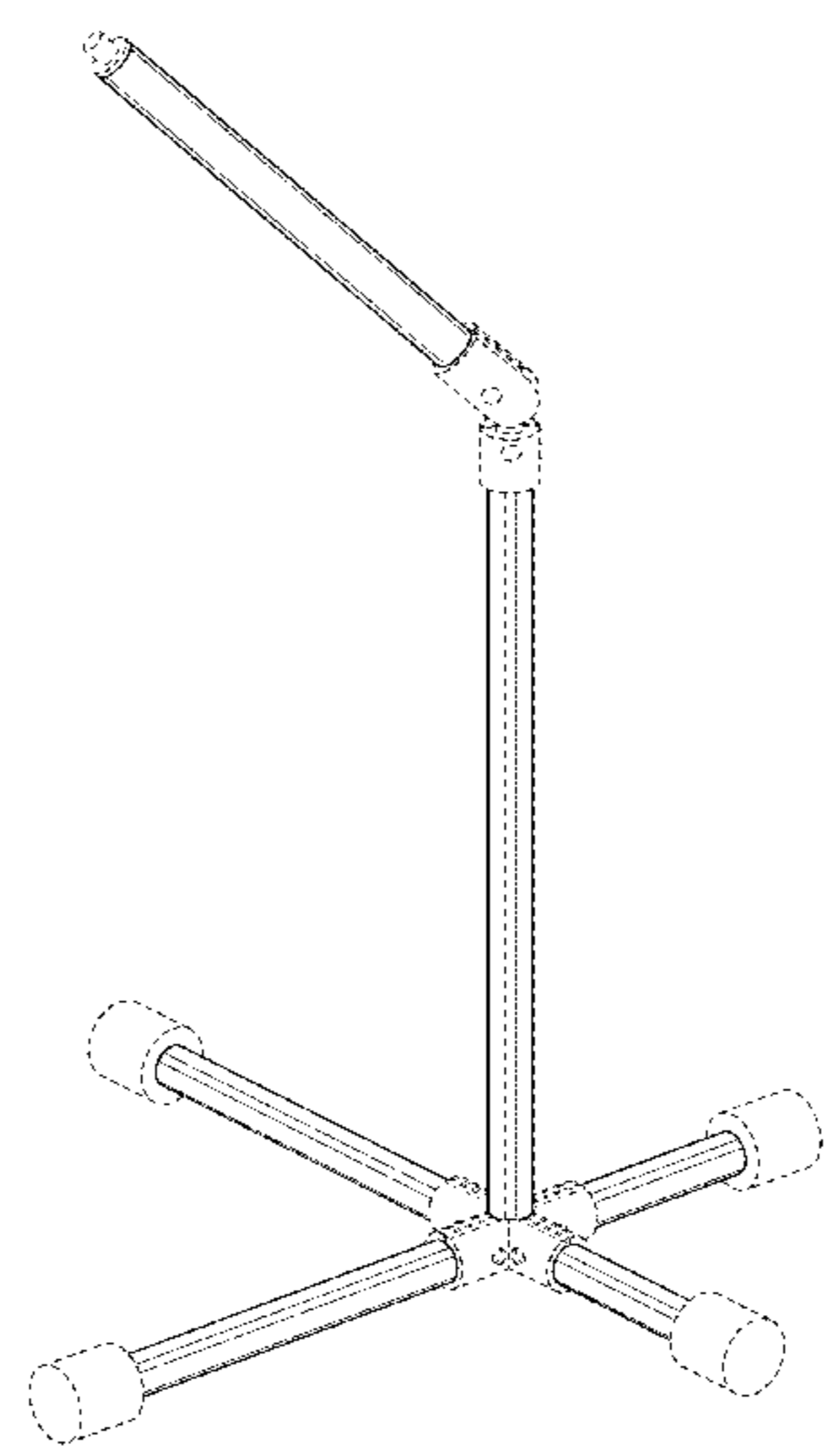
*Primary Examiner* — Katie Jane Stofko  
(74) *Attorney, Agent, or Firm* — Nexsen Pruet, LLC;  
Todd A. Serbin

(57) **CLAIM**  
The ornamental design for a microphone stand with a top mounted arm, as shown and described.

**DESCRIPTION**

FIG. 1 is a perspective view of a microphone stand with a top mounted arm;  
FIG. 2 is a rear view thereof;  
FIG. 3 is a front view thereof;  
FIG. 4 is a left side view thereof, where the right side view is a mirror image of the left side view;  
FIG. 5 is a top view thereof;  
FIG. 6 is a bottom view thereof;  
FIG. 7 is a cross-sectional view taken from FIG. 6 showing a profile of the surface ornamentation of the microphone stand with a top mounted arm;  
FIG. 8 is another perspective view thereof;  
FIG. 9 is a perspective view thereof, shown in a modified form; and,  
FIG. 10 is another perspective view thereof, shown in a modified form.  
The broken lines shown in FIGS. 1-7 and 9 illustrate portions of the microphone stand with a top mounted arm that form no part of the claimed design. The broken lines illustrating an extra mounting post in FIGS. 8 and 10 are environment that form no part of the claimed design, while the remaining broken lines in FIGS. 8 and 10 illustrate portions of the microphone stand with a top mounted arm that form no part of the claimed design.

**1 Claim, 10 Drawing Sheets**



(56)

**References Cited**

U.S. PATENT DOCUMENTS

D664,374 S \* 7/2012 Capella ..... D6/681.3  
D687,421 S \* 8/2013 Slaton ..... D14/229  
8,567,730 B1 \* 10/2013 Stevenson ..... A61M 5/1415  
248/125.8  
D704,956 S \* 5/2014 English ..... D6/552  
D793,131 S \* 8/2017 Gazit ..... D6/681.1  
D812,941 S \* 3/2018 Procaccini ..... D6/681.1  
2007/0175848 A1 \* 8/2007 Mallen ..... A47G 25/0671  
211/196

OTHER PUBLICATIONS

Webpage from On-line merchant Sweetwater showing Triad-Orbit Drum Overhead Microphone Stand Package from <https://www.sweetwater.com/store/detail/TOPack2> dated Jan. 4, 2018.

Webpage from On-line merchant Sweetwater showing Triad-Orbit Dual Mic System Microphone Stand Package from <https://www.sweetwater.com/store/detail/TOPack3> Jan. 4, 2018.

\* cited by examiner

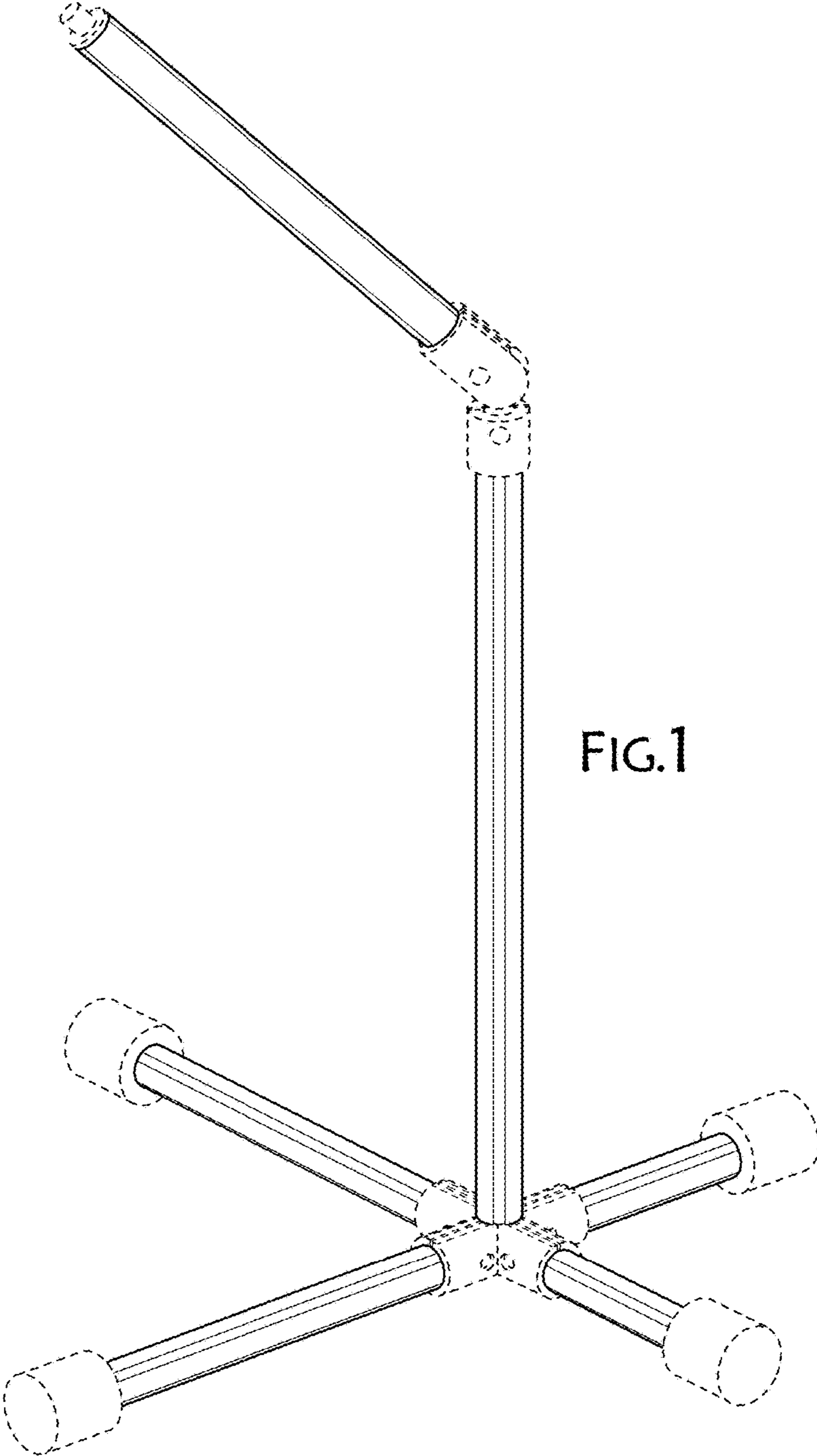


FIG. 1

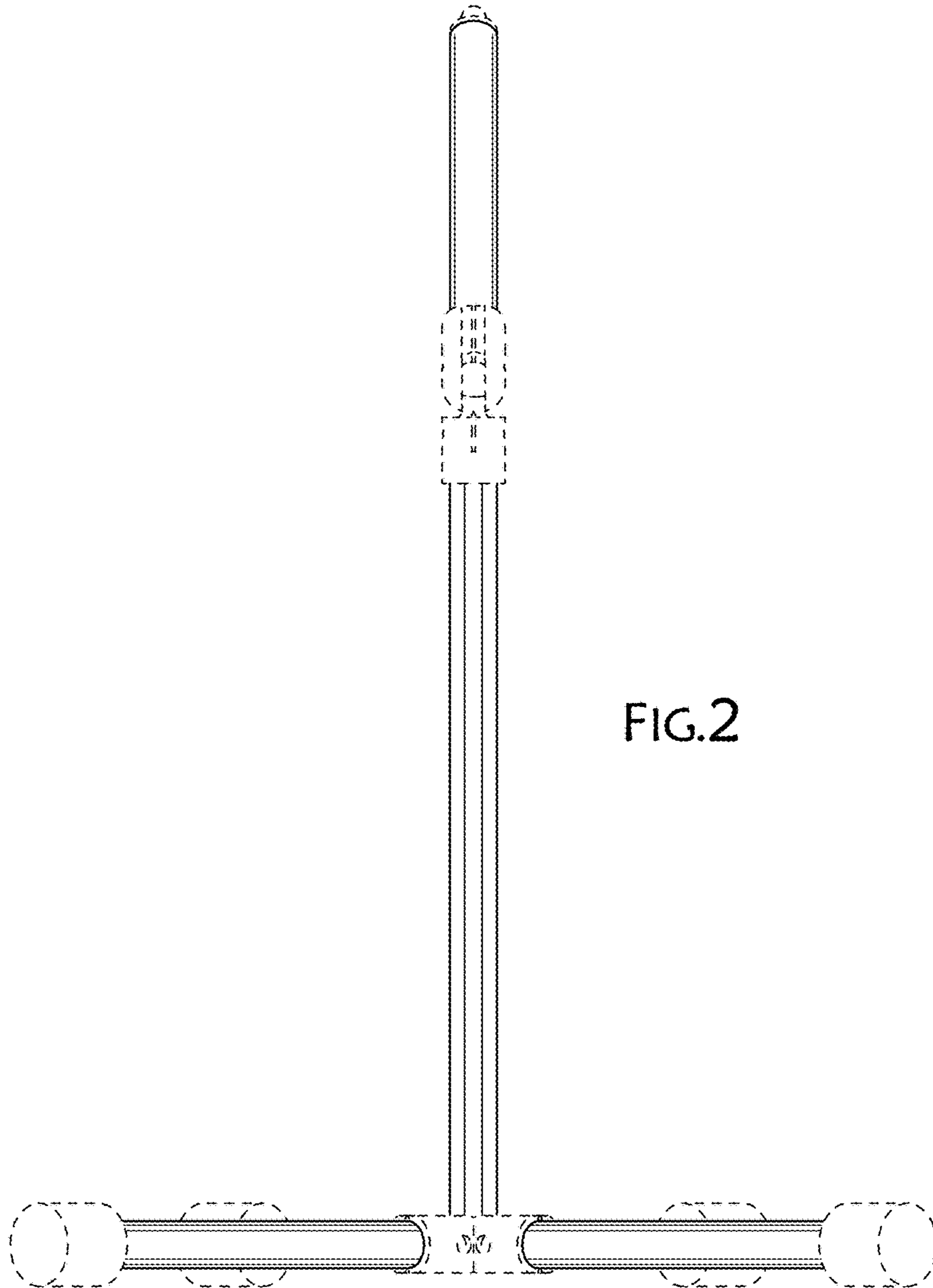


FIG.2

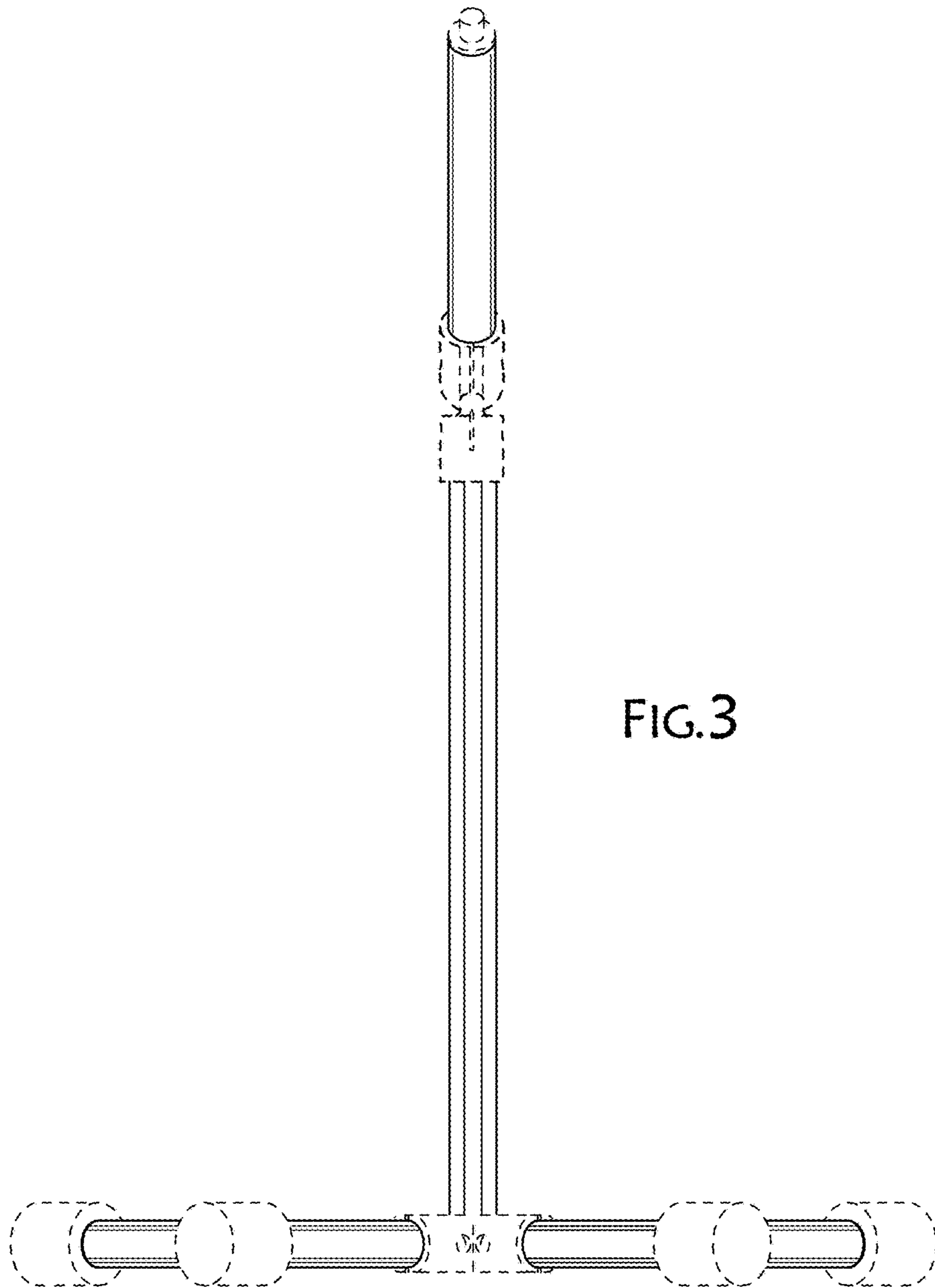
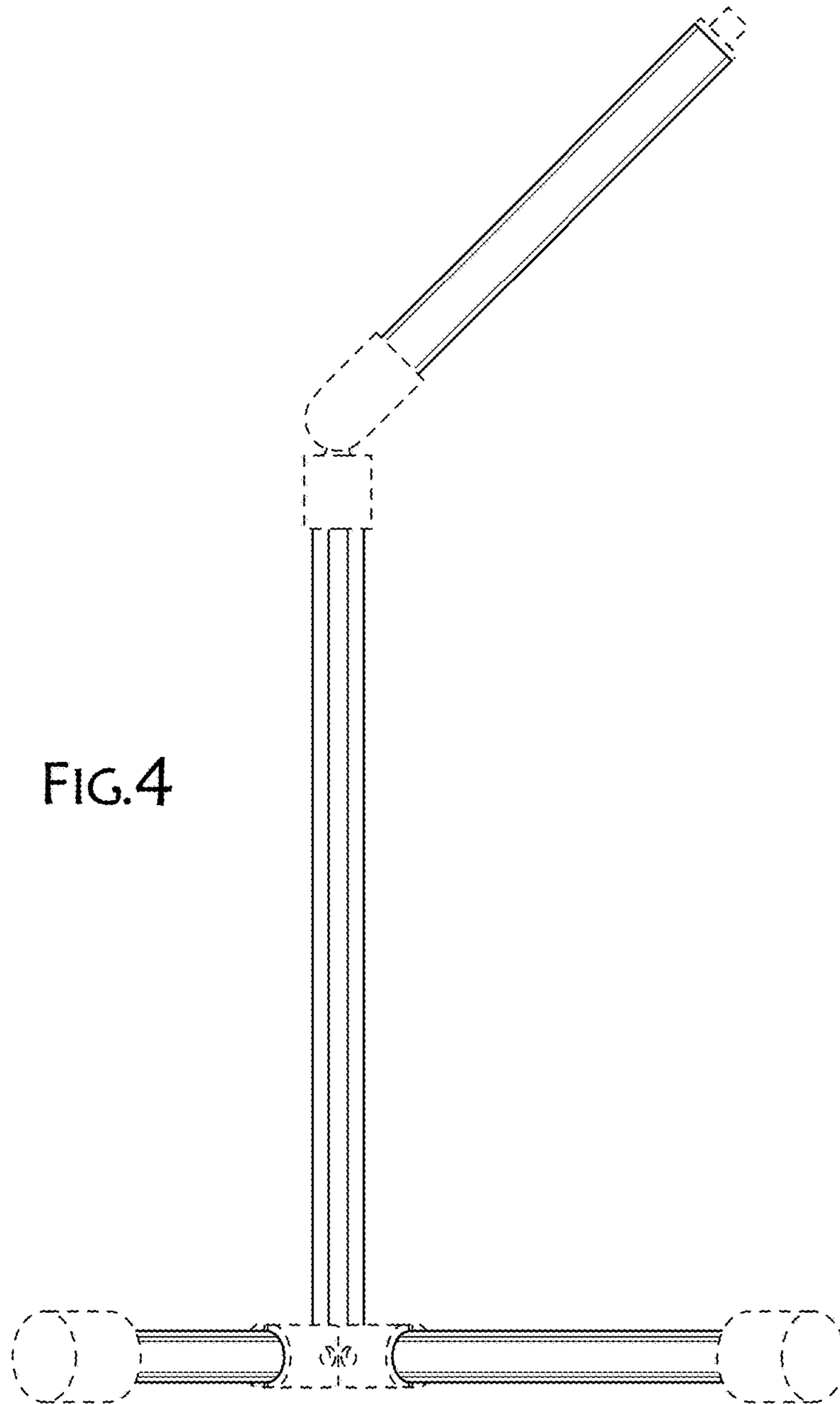


FIG.3



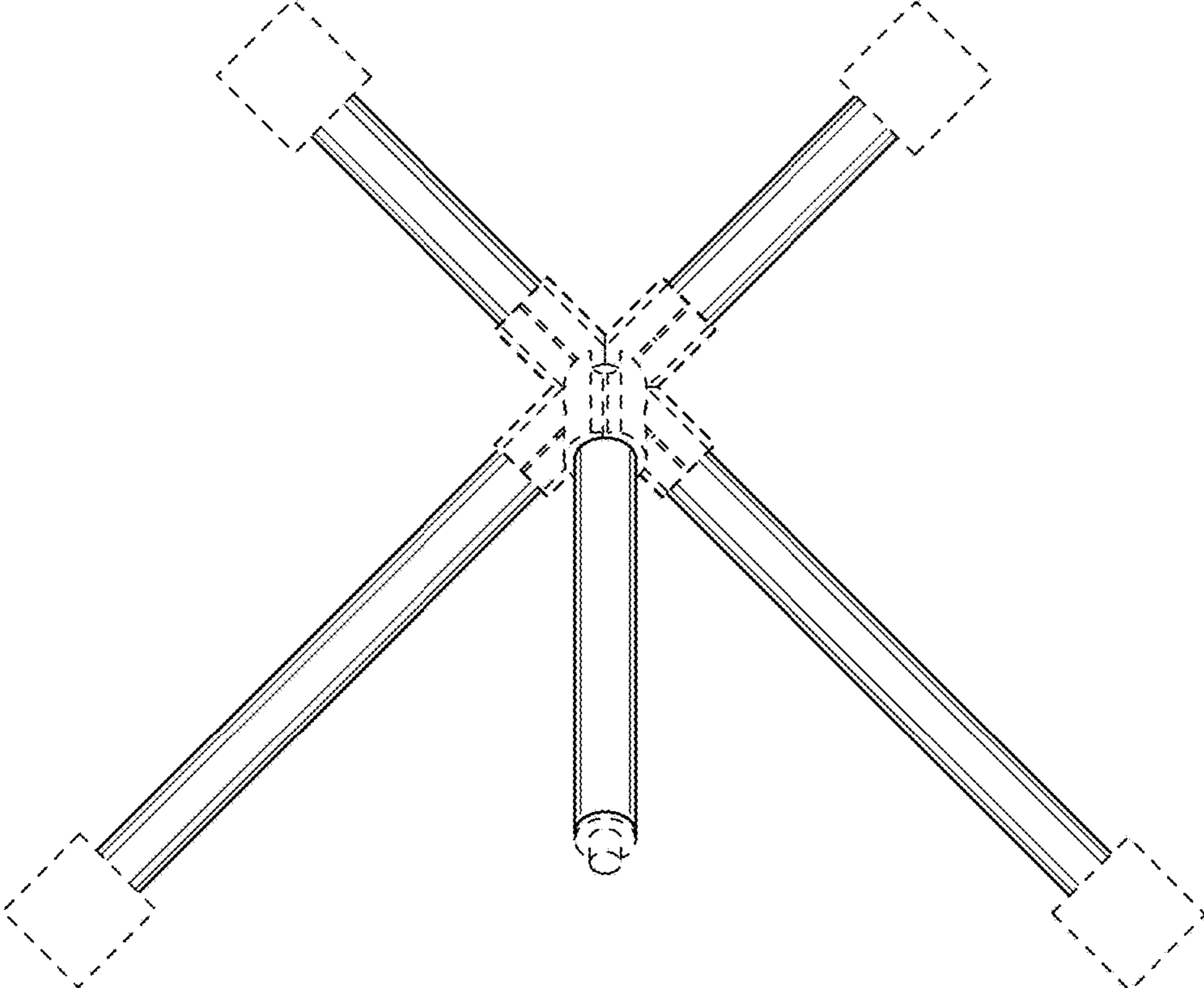


FIG.5



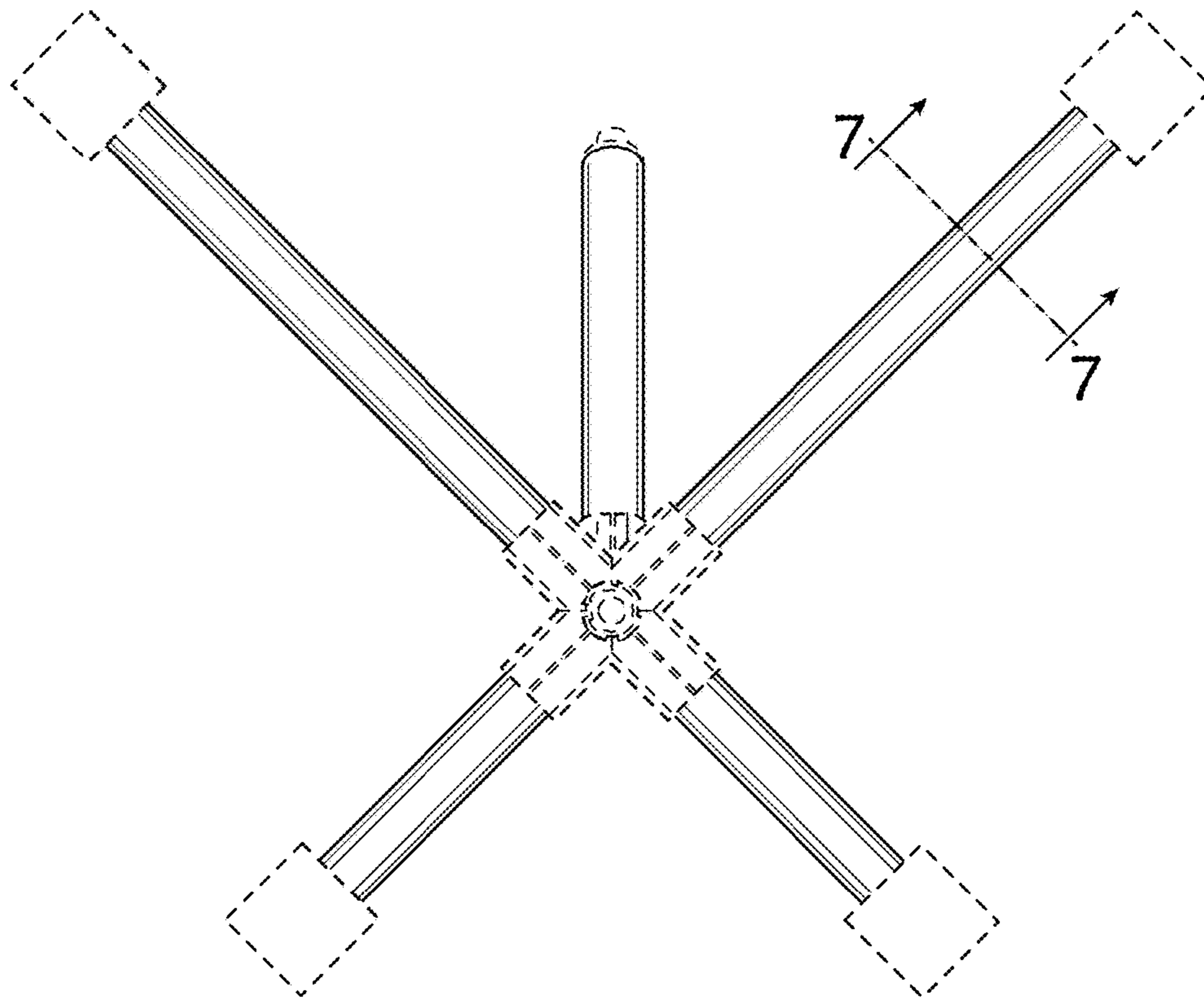


FIG.6



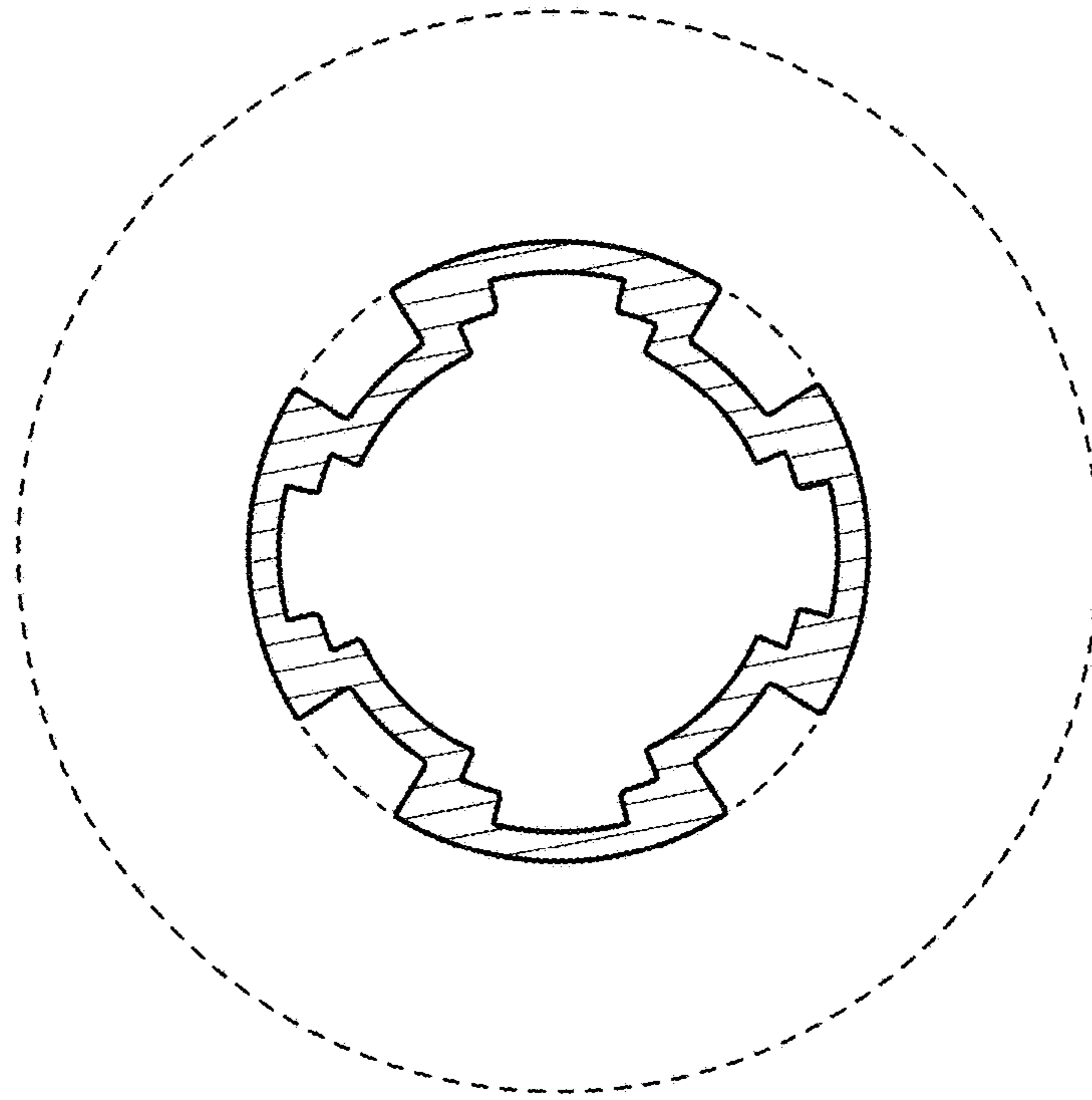


FIG. 7

