



US00D866531S

(12) **United States Design Patent**
Zeng

(10) **Patent No.:** **US D866,531 S**

(45) **Date of Patent:** **** Nov. 12, 2019**

(54) **EARPHONE**

(71) Applicant: **Ji-Lin Zeng**, Dongguan (CN)

(72) Inventor: **Ji-Lin Zeng**, Dongguan (CN)

(**) Term: **15 Years**

(21) Appl. No.: **29/653,026**

(22) Filed: **Jun. 12, 2018**

(51) **LOC (12) Cl.** **14-01**

(52) **U.S. Cl.**
USPC **D14/223**

(58) **Field of Classification Search**
USPC D14/223, 205; D24/174; 128/865, 866,
128/867; 181/129, 130, 135; 379/430,
379/431; 381/380, 381, 322, 328, 329;
455/90.3, 575.1, 569.1
CPC H04R 1/10; H04R 25/00; H04R 1/1016;
H04R 1/1066; H04R 5/033; H04R 5/0335
See application file for complete search history.

(56) **References Cited**

U.S. PATENT DOCUMENTS

D78,661 S *	5/1929	Simmons	D7/585
1,852,130 A *	4/1932	Schier	H04R 25/656
				381/328
D106,823 S *	11/1937	Sears	D24/174
2,248,837 A *	7/1941	Walters	H04R 25/652
				181/130
D157,728 S *	3/1950	Bianchi	D1/127
2,971,065 A *	2/1961	Busse	H04R 25/456
				381/104
3,821,647 A *	6/1974	Minasian	H03D 1/10
				455/269
D232,965 S *	9/1974	Atwell	D11/27
4,069,400 A *	1/1978	Johanson	H04R 25/60
				381/322
D266,271 S *	9/1982	Johanson	D24/174
D287,280 S *	12/1986	Topholm	D24/174
D287,764 S *	1/1987	Topholm	D24/174

D287,765 S *	1/1987	Topholm	D24/174
4,702,238 A *	10/1987	Scott	A61F 11/08
				128/867
D299,052 S *	12/1988	Yost	D23/252
D304,944 S *	12/1989	Behringer	D14/188
5,054,079 A *	10/1991	Frielingsdorf	H04R 1/46
				379/430
D329,321 S *	9/1992	Ringwood	D2/741
D420,285 S *	2/2000	Sagan	D9/428
D442,462 S *	5/2001	Dewald	D8/310
D464,638 S *	10/2002	Huang	D14/205
D478,573 S *	8/2003	Wrisley	D14/223
D497,613 S *	10/2004	Gwee	D14/205
D505,411 S *	5/2005	Sakai	D14/192
D529,612 S *	10/2006	Feeley	D24/174

(Continued)

Primary Examiner — Paula Allen Greene
(74) *Attorney, Agent, or Firm* — ScienBiziP, P.C.

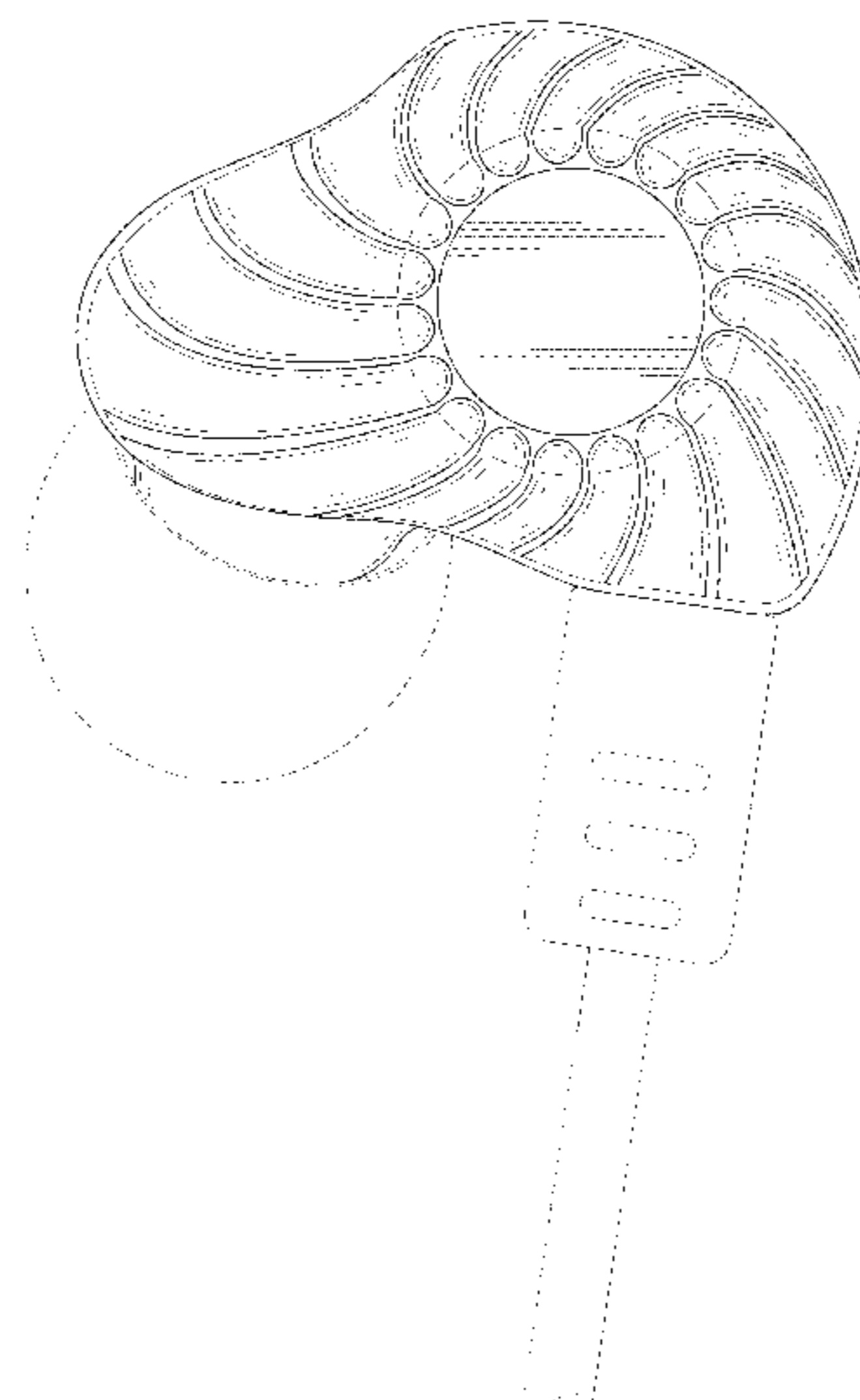
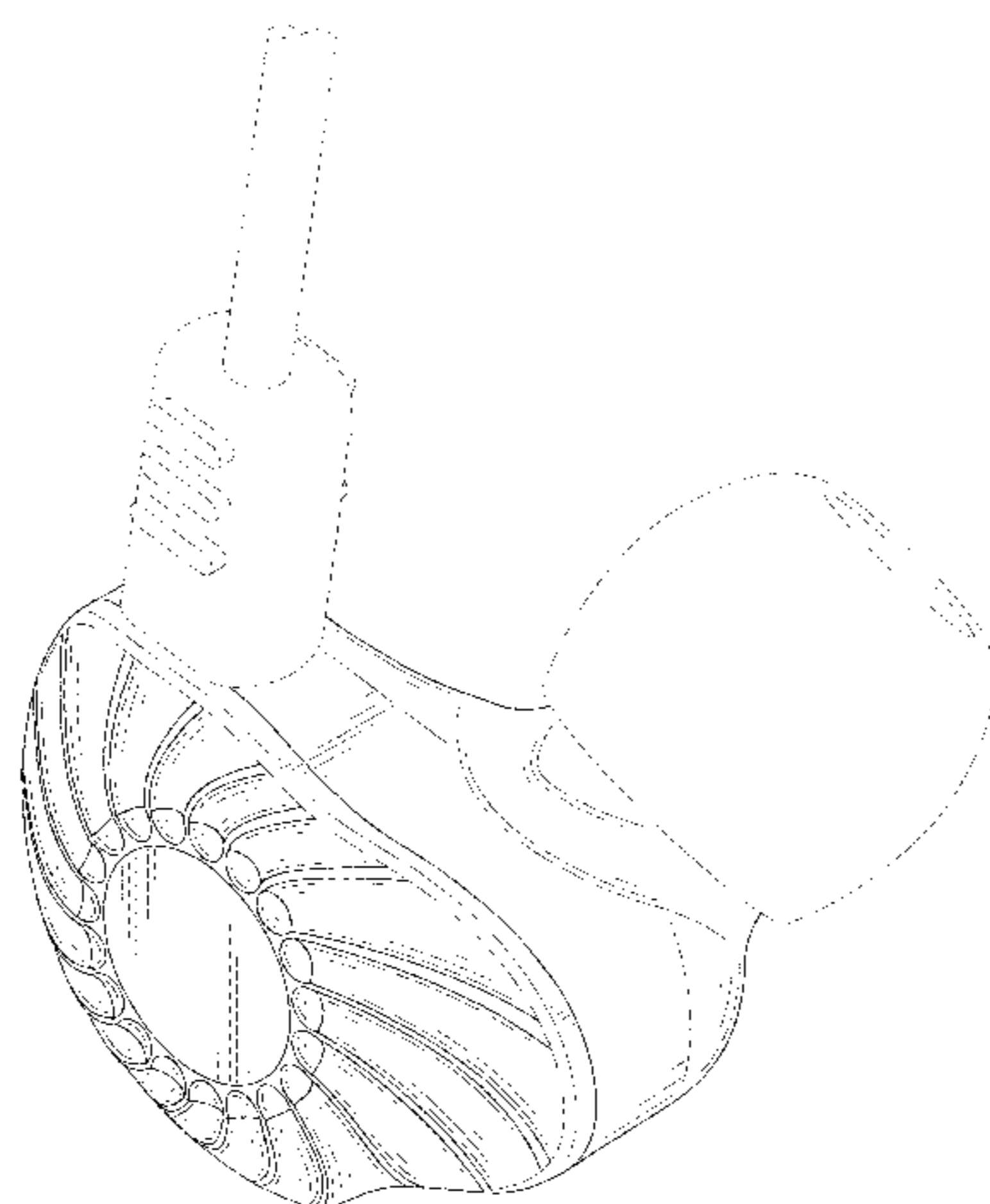
(57) **CLAIM**

The ornamental design for an earphone, as shown and described.

DESCRIPTION

FIG. 1 is a first perspective view of an earphone showing the claimed new design;
FIG. 2 is a second perspective view thereof;
FIG. 3 is a front elevation view thereof;
FIG. 4 is a rear elevation view thereof;
FIG. 5 is a right side elevation view thereof;
FIG. 6 is a left side elevation view thereof;
FIG. 7 is a top plan view thereof;
FIG. 8 is a bottom plan view thereof; and,
FIG. 9 is a perspective view of the earphone in an environment in which it may be used.
The broken lines immediately adjacent to the claimed portions are boundaries, all other broken lines are environmental structures, and all the broken lines form no part of the claimed design.

1 Claim, 9 Drawing Sheets



(56)

References Cited

U.S. PATENT DOCUMENTS

7,120,267 B2 * 10/2006 Ito H04M 1/05
 381/375
 D532,520 S * 11/2006 Kampmeier D24/174
 D550,657 S * 9/2007 Gan D14/223
 D559,837 S * 1/2008 Nakano D14/223
 D568,290 S * 5/2008 Wikel D14/205
 D574,814 S * 8/2008 Hammond D14/205
 D575,268 S * 8/2008 Christopher D14/205
 D579,006 S * 10/2008 Kim D14/223
 D602,475 S * 10/2009 Martin D14/223
 D603,380 S * 11/2009 Hutchieson D14/223
 D626,948 S * 11/2010 Nault D14/223
 D628,565 S * 12/2010 Wu D14/223
 D641,010 S * 7/2011 Kwon D14/223
 D654,056 S * 2/2012 Hoggarth D14/205
 D660,291 S * 5/2012 Thomas D14/223
 D666,580 S * 9/2012 Lee D14/223
 D666,581 S * 9/2012 Perez D14/223
 D673,532 S * 1/2013 Lee D14/223
 D685,769 S * 7/2013 Mogili D14/223
 D685,770 S * 7/2013 Lee D14/223
 8,477,985 B2 * 7/2013 Kim H04R 1/1016
 181/135
 D698,026 S * 1/2014 Kuwata D24/174
 8,630,425 B2 * 1/2014 Chang H04R 1/1041
 381/71.1
 D699,226 S * 2/2014 Yoon D14/206
 D700,905 S * 3/2014 Pavitsich D14/223
 D702,668 S * 4/2014 Narita H04R 1/10
 D14/223
 D707,417 S * 6/2014 Pearson D1/115
 D711,356 S * 8/2014 Yang D14/223
 D719,132 S * 12/2014 Toelle D14/205

D719,139 S * 12/2014 Henry D14/223
 D725,082 S * 3/2015 Palmborg D14/223
 8,983,108 B2 * 3/2015 Ho H04R 1/1016
 181/135
 D733,101 S * 6/2015 Pi D14/223
 D733,102 S * 6/2015 Palmborg D14/223
 9,055,369 B2 * 6/2015 Yang H04R 1/10
 D735,169 S * 7/2015 Shieh D14/223
 D756,970 S * 5/2016 Ferber D14/223
 D764,445 S * 8/2016 Czaniecki D14/223
 D777,710 S * 1/2017 Palmborg D14/223
 D781,269 S * 3/2017 Choe D14/223
 D782,269 S * 3/2017 Bast D8/107
 D782,997 S * 4/2017 Shin D14/205
 D782,998 S * 4/2017 Shin D14/205
 D795,225 S * 8/2017 Sumii D14/223
 D801,301 S * 10/2017 Damboulev D14/205
 D806,879 S * 1/2018 Horbinski D24/174
 D807,322 S * 1/2018 Damboulev D14/205
 D810,047 S * 2/2018 Tzeng D14/205
 D812,042 S * 3/2018 Xiao D14/223
 D813,205 S * 3/2018 Palmborg D14/223
 D813,206 S * 3/2018 Tang D14/223
 D813,848 S * 3/2018 Palmborg D14/223
 D817,309 S * 5/2018 Czaniecki D14/223
 D831,620 S * 10/2018 Bian D14/223
 D832,823 S * 11/2018 Xiao D14/223
 D843,354 S * 3/2019 Kumano D14/223
 D845,932 S * 4/2019 Lu D14/223
 D849,720 S * 5/2019 Houle D14/223
 D851,072 S * 6/2019 McNamara D14/223
 D852,784 S * 7/2019 Cramer H04R 1/1041
 D14/223
 2013/0259286 A1 * 10/2013 Chung H04R 1/1016
 381/380

* cited by examiner

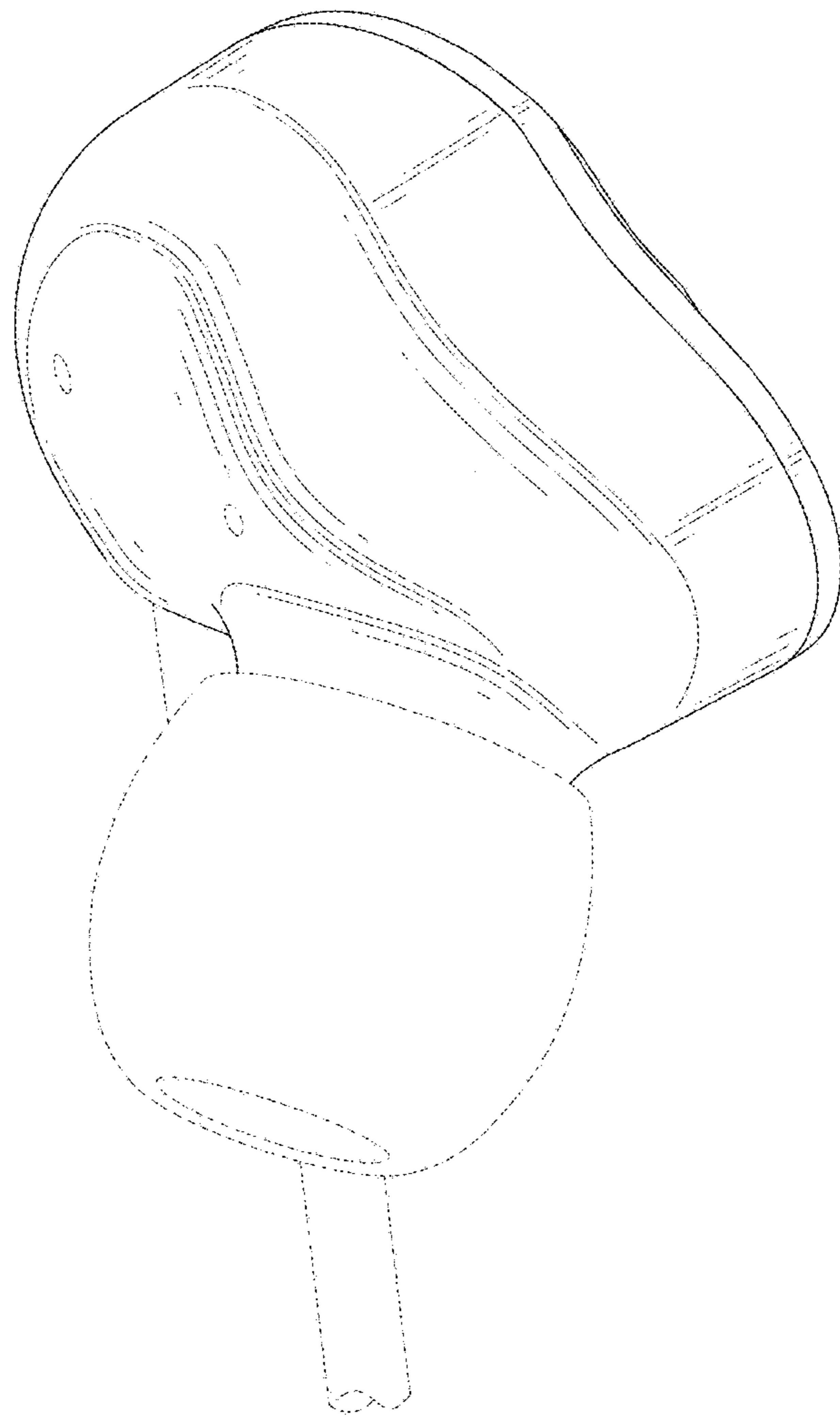


FIG. 1

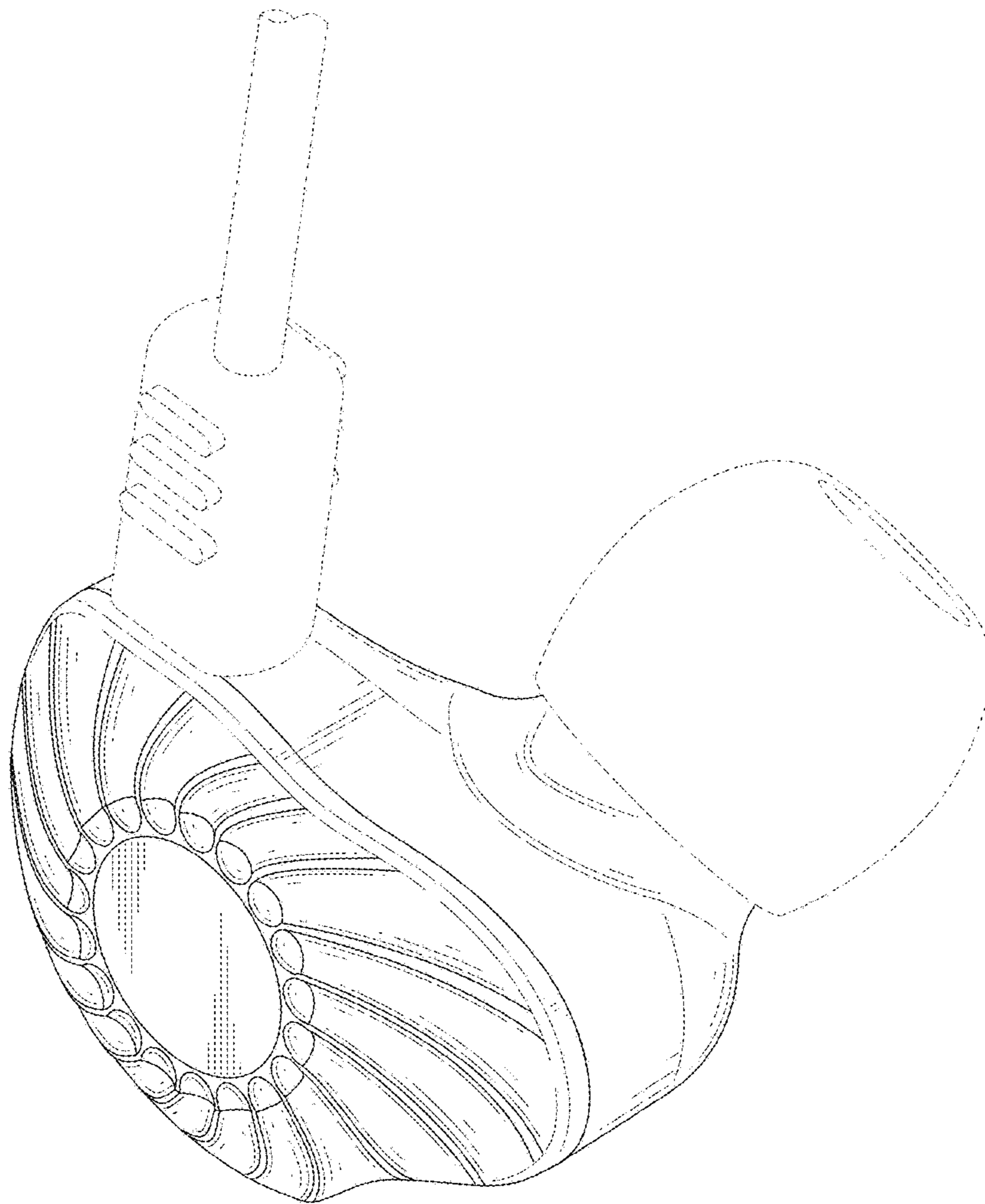


FIG. 2

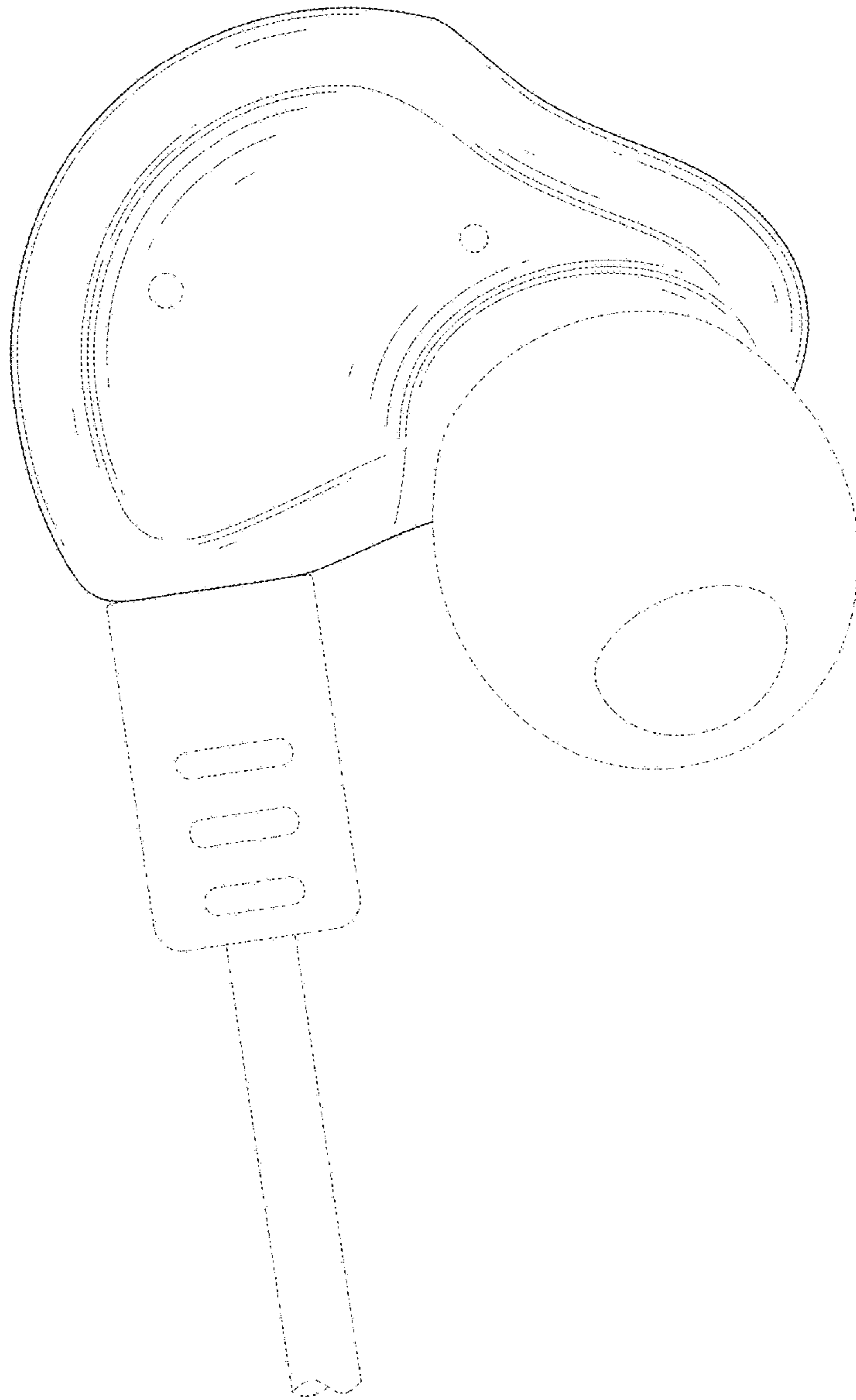


FIG. 3

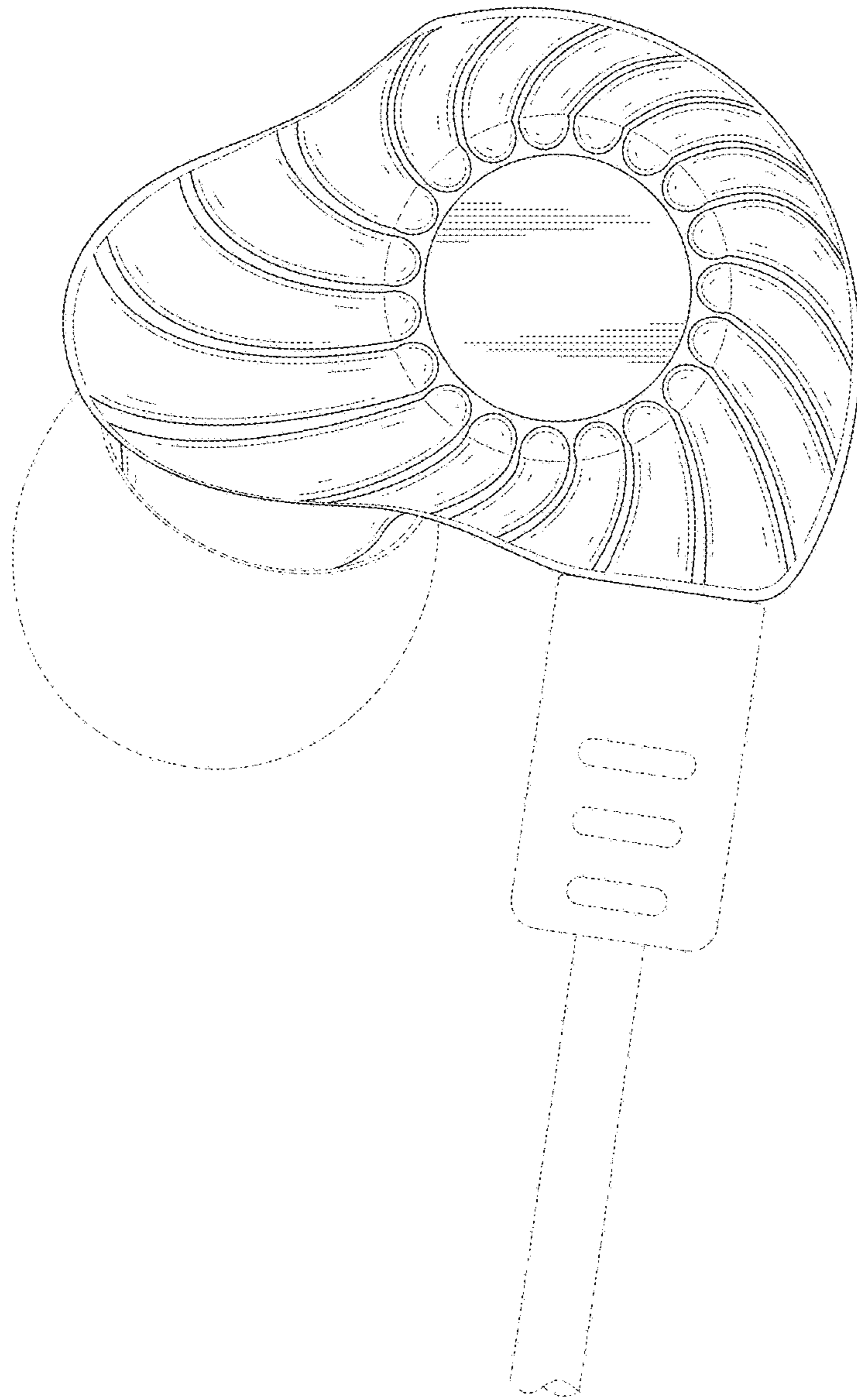


FIG. 4

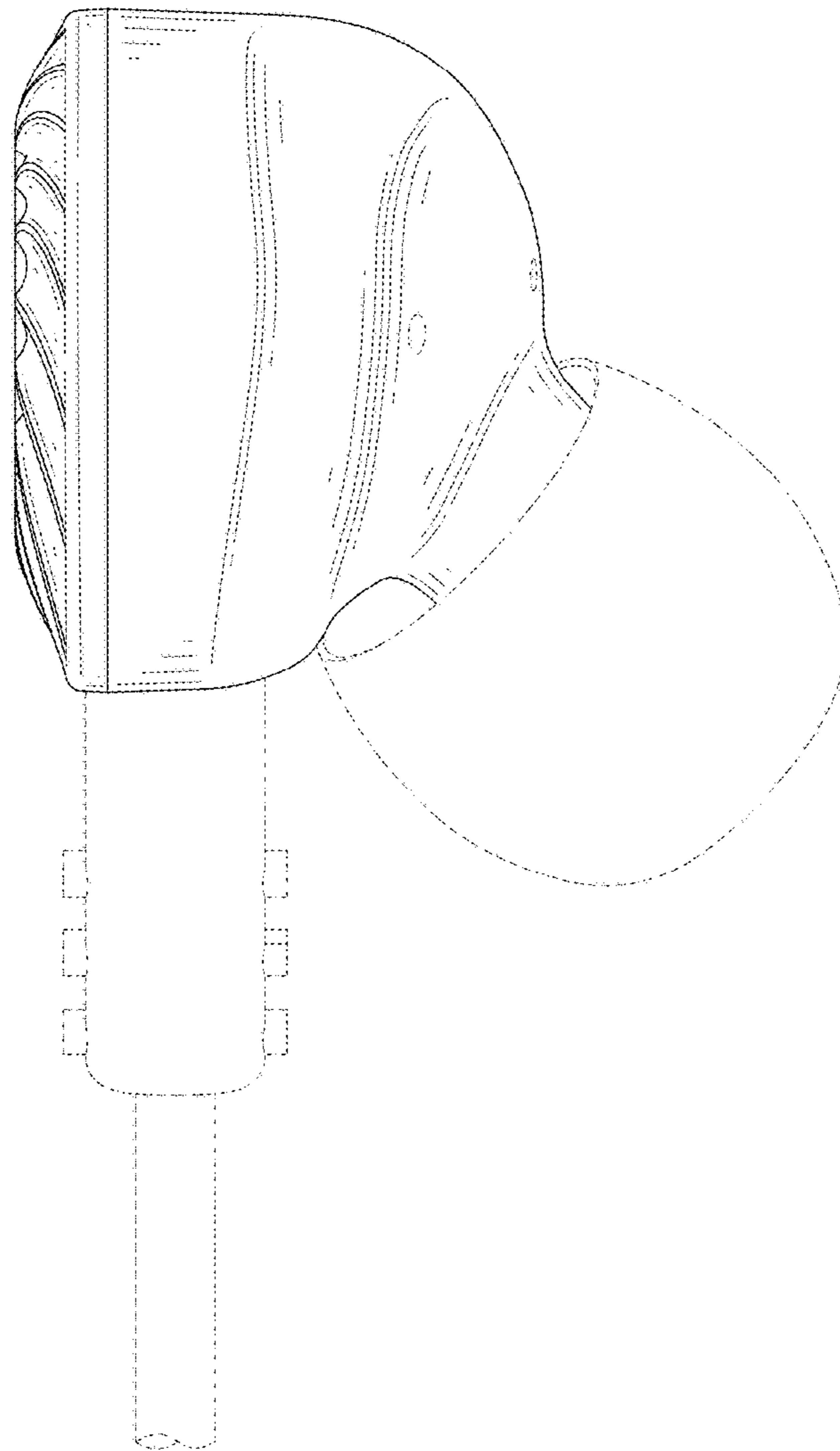


FIG. 5

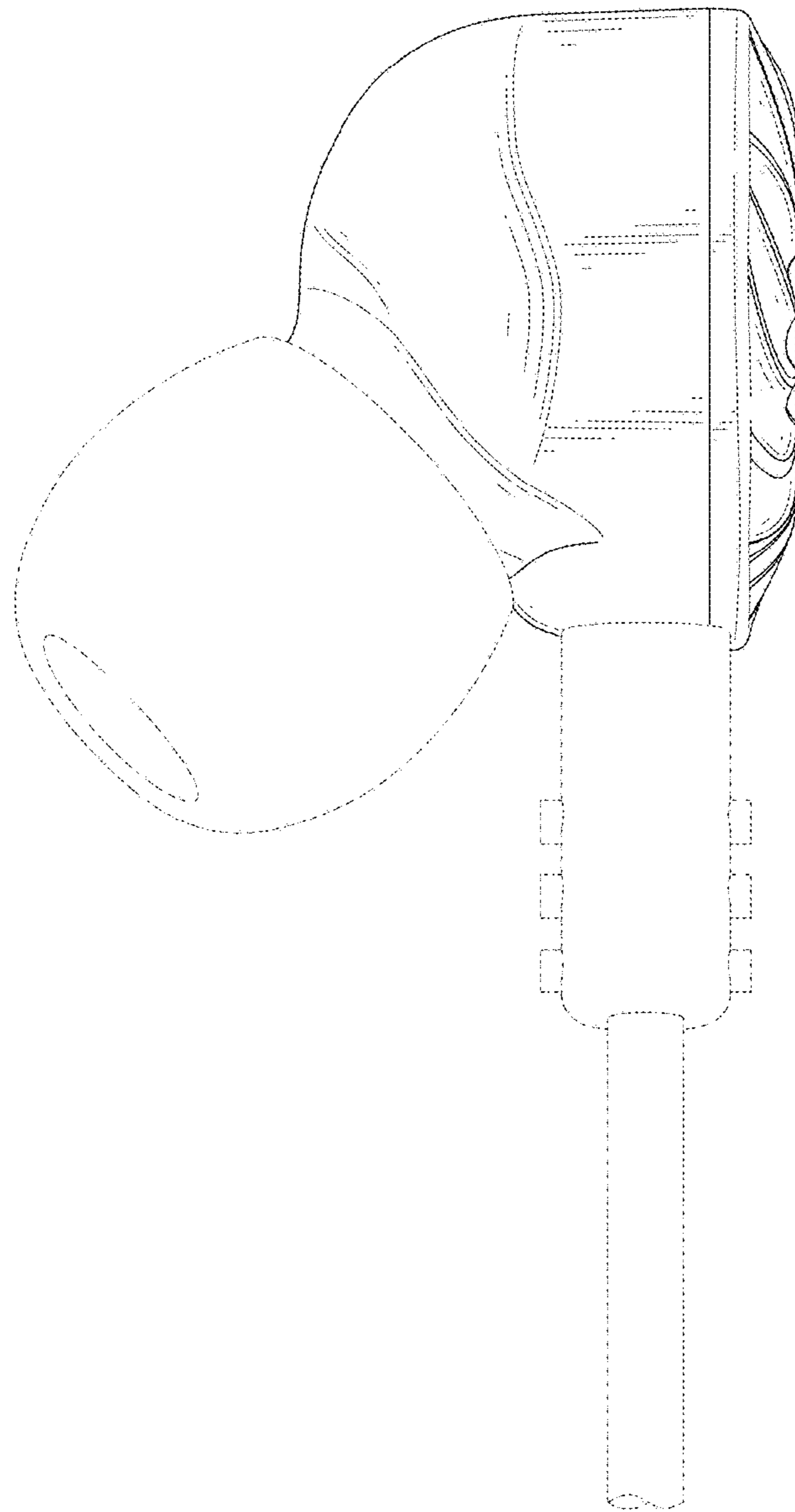


FIG. 6

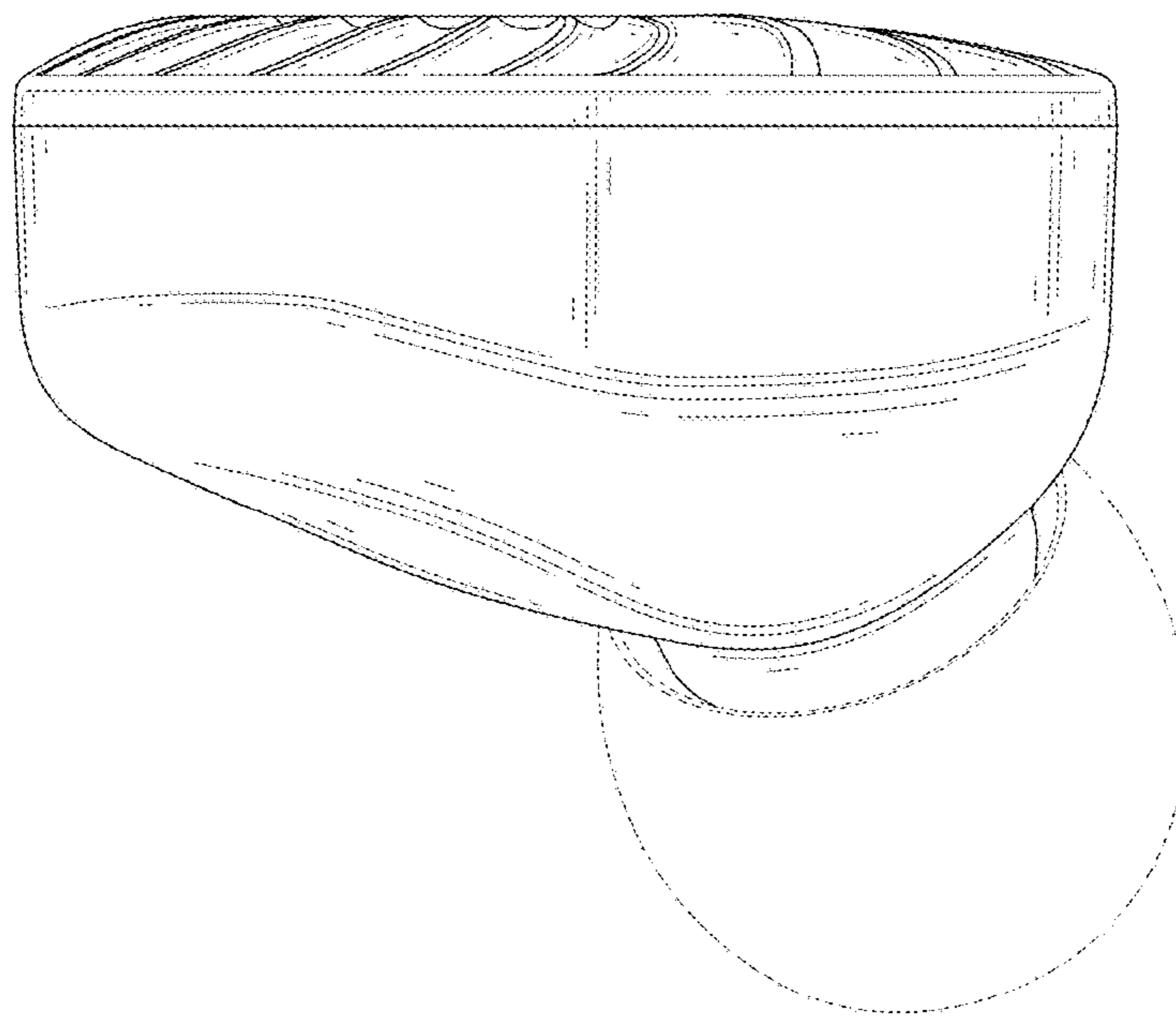


FIG. 7

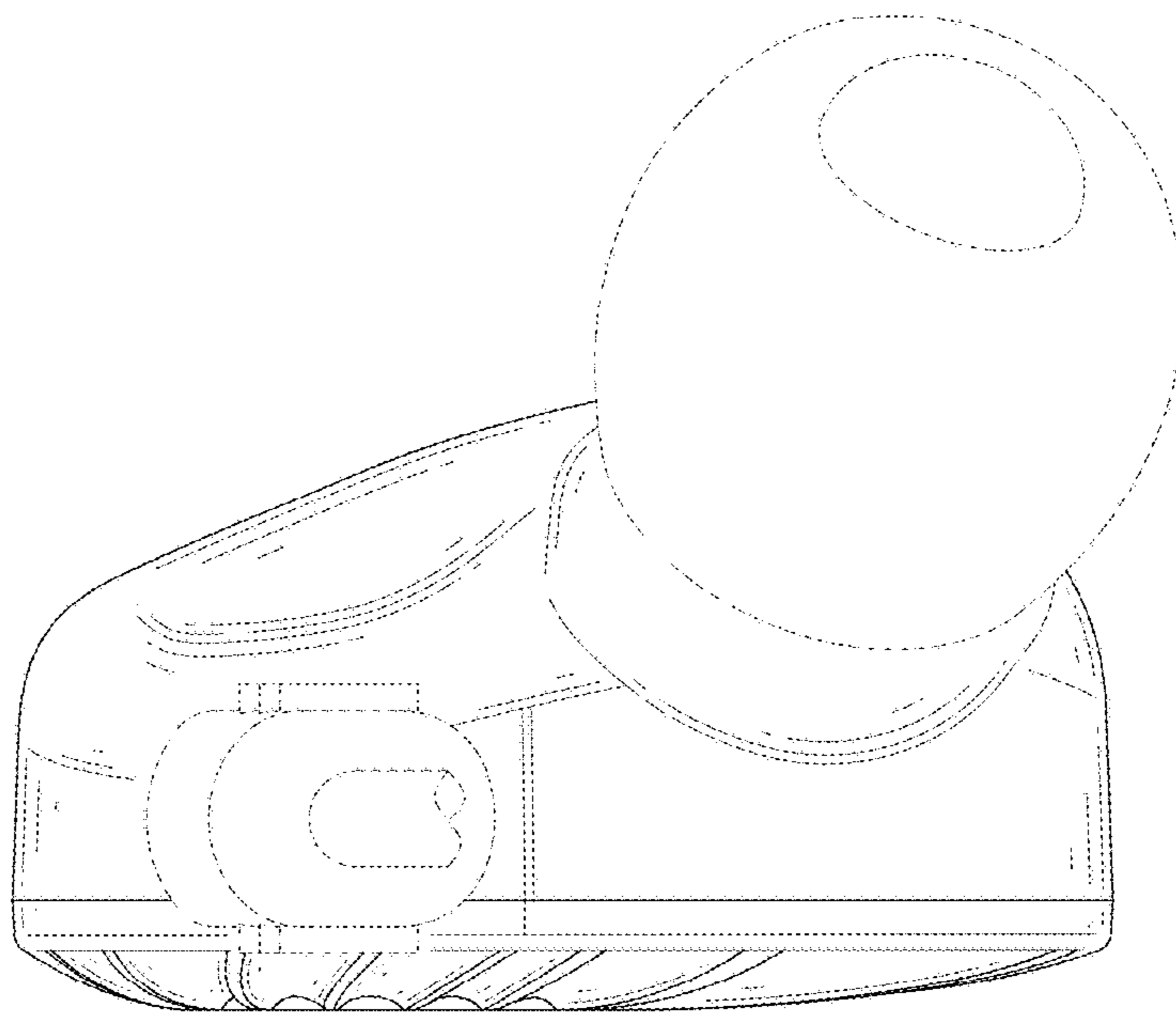


FIG. 8

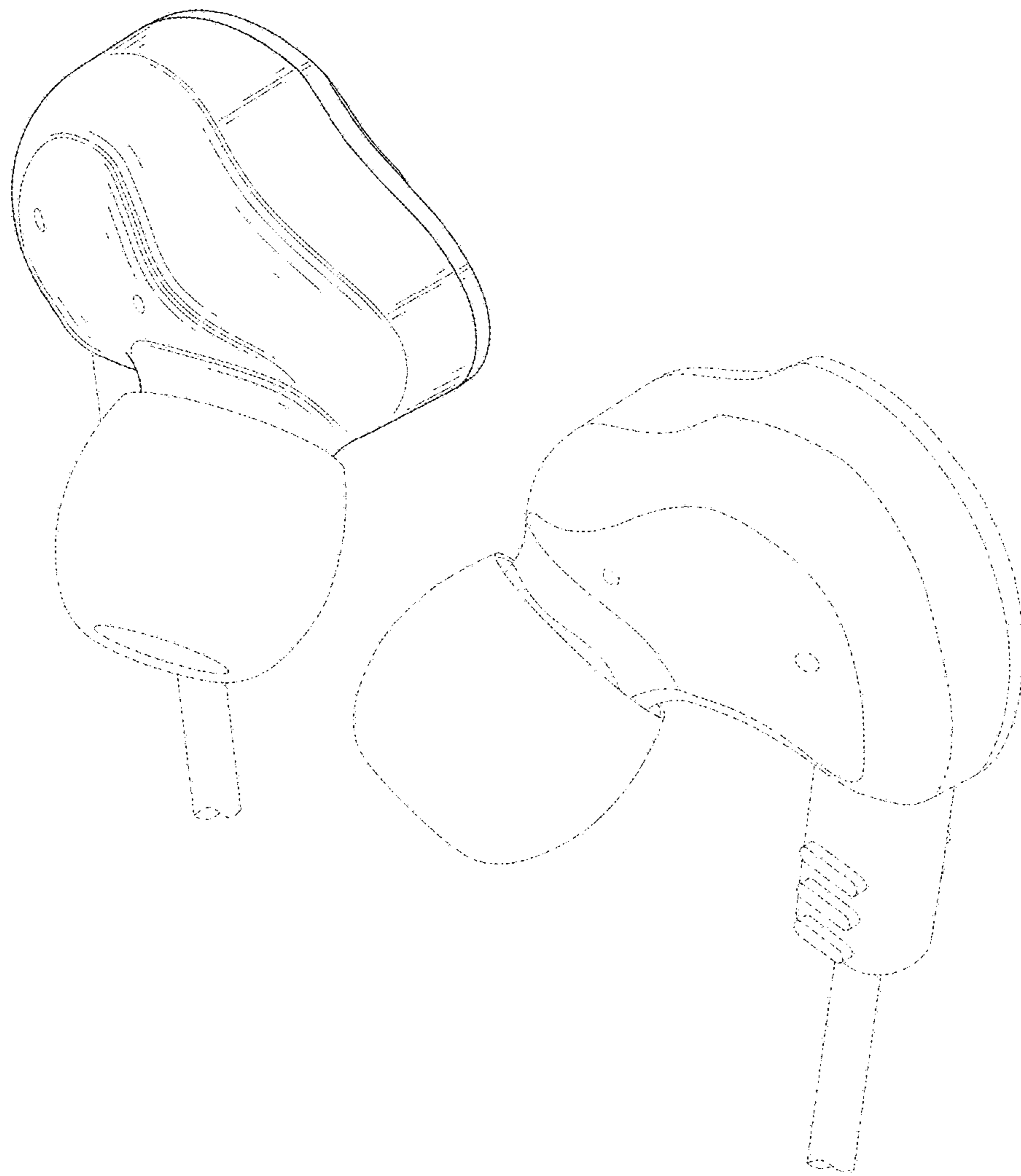


FIG. 9