

US00D866530S

(12) **United States Design Patent** (10) **Patent No.:** **US D866,530 S**
Birger (45) **Date of Patent:** **** Nov. 12, 2019**

(54) **EARPHONES**
(71) Applicant: **GN Audio A/S**, Ballerup (DK)
(72) Inventor: **Johan Birger**, Ballerup (DK)
(73) Assignee: **GN Audio A/S** (DK)
(**) Term: **15 Years**
(21) Appl. No.: **29/643,617**
(22) Filed: **Apr. 10, 2018**

(30) **Foreign Application Priority Data**

Oct. 27, 2017 (EM) 004423572-0001
Oct. 27, 2017 (EM) 004423572-0002
Oct. 27, 2017 (EM) 004423572-0003
Oct. 27, 2017 (EM) 004423572-0004
Oct. 27, 2017 (EM) 004423572-0005

(51) **LOC (12) Cl.** **14-01**
(52) **U.S. Cl.**
USPC **D14/223**

(58) **Field of Classification Search**
USPC D14/223, 205; D24/174; D13/107, 108;
D3/201, 295, 423, 294; D9/721, 423,
D9/424, 415, 432, 426, 420; 181/129,
181/130, 135; 381/380, 381, 328, 323;
455/90.3, 575.1, 569.1; 128/864, 865,
128/866
CPC H04R 1/10; H04R 1/1066; H04R 1/1016;
H04R 5/033; H04R 5/0335; H04R 25/00;
H04R 25/02
See application file for complete search history.

(56) **References Cited**

U.S. PATENT DOCUMENTS

1,906,111 A * 4/1933 Shields A47F 7/03
16/293
D208,784 S * 10/1967 Sanzone D24/174

4,542,822 A * 9/1985 Kennedy, Jr. B65D 81/022
206/523
D281,033 S * 10/1985 Mohri D3/295
4,732,269 A * 3/1988 Roy A45C 11/16
206/495
D313,753 S * 1/1991 Nagasaka D9/415
D333,560 S * 3/1993 Miyashita D3/218
D333,917 S * 3/1993 Daido D3/218
D367,113 S * 2/1996 Weeks D24/174
5,887,720 A * 3/1999 Lin H04R 1/10
206/38
D430,727 S * 9/2000 Wisniewski D3/201
(Continued)

Primary Examiner — Paul Allen Greene

(74) *Attorney, Agent, or Firm* — Hamre, Schumann,
Mueller & Larson, P.C.

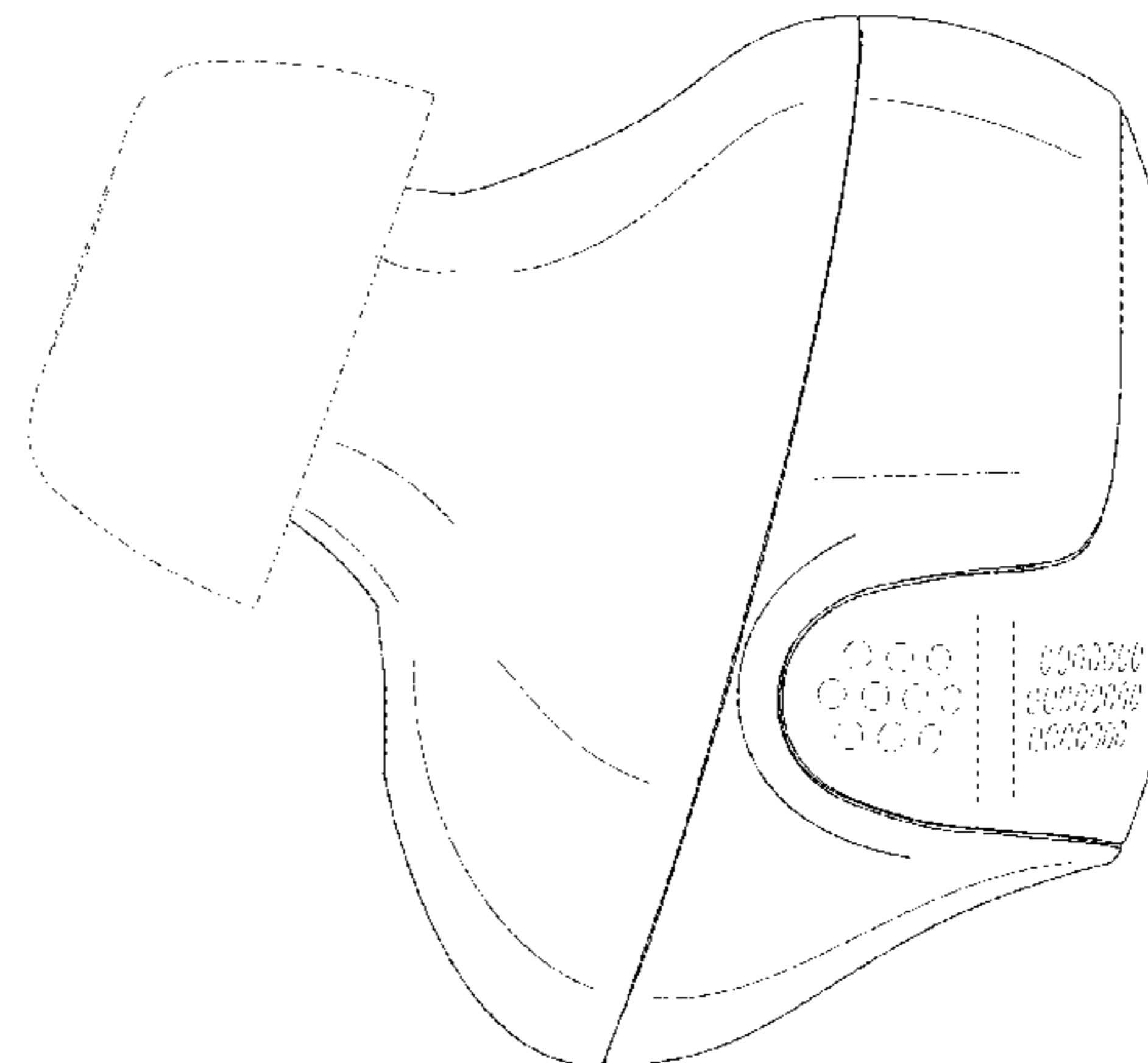
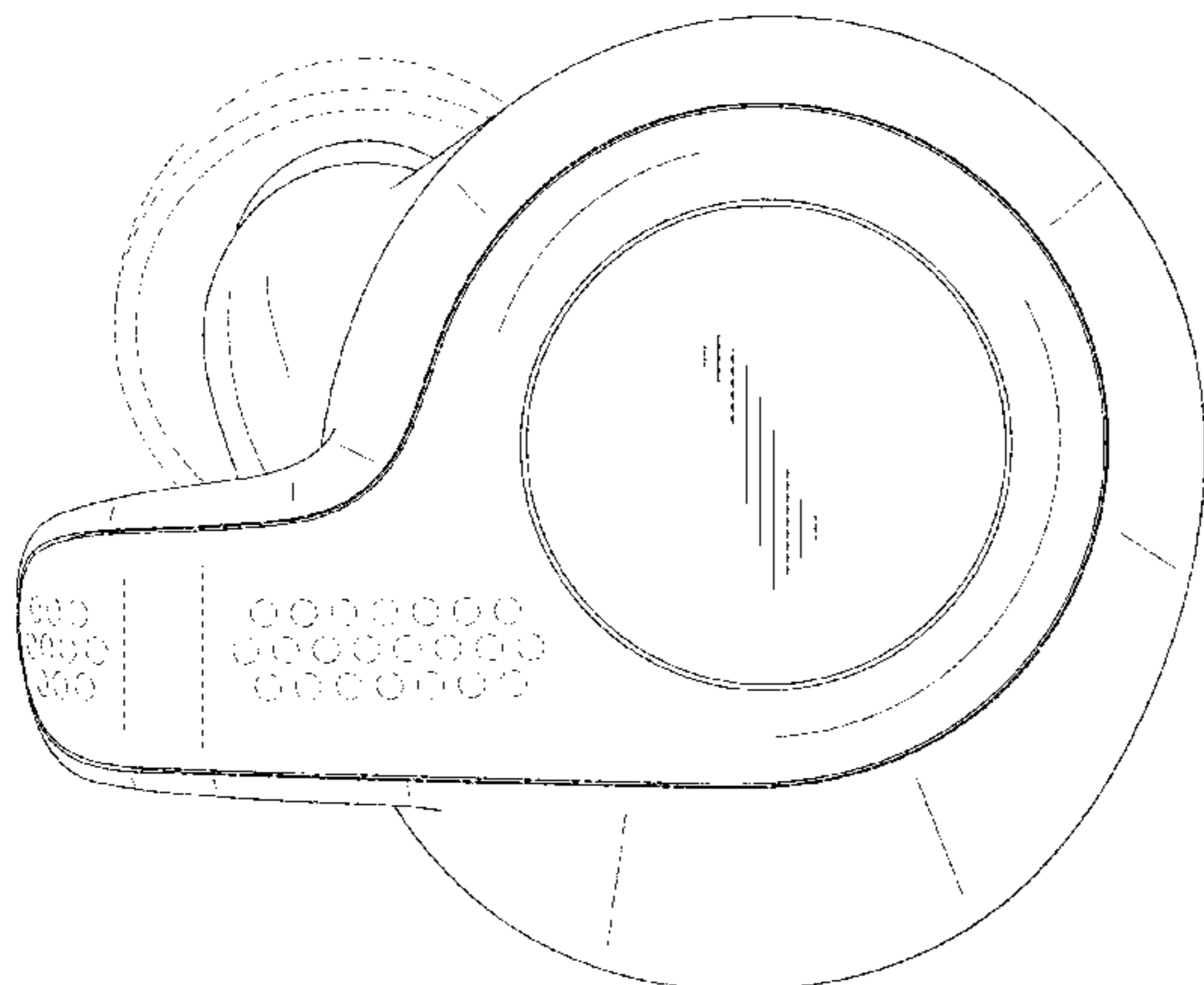
(57) **CLAIM**

The ornamental design for earphones, as shown and described.

DESCRIPTION

FIG. 1 is a front planar view of earphones;
FIG. 2 is a bottom planar view thereof;
FIG. 3 is a top planar view thereof;
FIG. 4 is a right side planar view thereof;
FIG. 5 is a left side planar view thereof;
FIG. 6 is a back planar view thereof;
FIG. 7 is a perspective view thereof;
FIG. 8 is a front planar view of earphones;
FIG. 9 is a bottom planar view of FIG. 8 thereof;
FIG. 10 is a top planar view of FIG. 8 thereof;
FIG. 11 is a right side planar view of FIG. 8 thereof;
FIG. 12 is a left side planar view of FIG. 8 thereof;
FIG. 13 is a back planar view of FIG. 8 thereof; and,
FIG. 14 is a perspective view of FIG. 8 thereof.
The features shown in broken lines depict environmental subject matter only and form no part of the claimed design.

1 Claim, 14 Drawing Sheets



(56)

References Cited

U.S. PATENT DOCUMENTS

6,122,388 A * 9/2000 Feldman H04R 25/604
 381/322
 D455,835 S * 4/2002 Anderson D24/174
 D479,016 S * 8/2003 Sgariboldi D28/78
 6,945,988 B1 * 9/2005 Jones A61F 7/10
 607/108
 D529,288 S * 10/2006 Ham D3/294
 D531,025 S * 10/2006 Tanner D9/426
 D553,077 S * 10/2007 Kim D13/108
 D561,471 S * 2/2008 Nakamura D3/294
 D604,501 S * 11/2009 Lee D3/201
 D621,256 S * 8/2010 Andre D9/432
 D628,990 S * 12/2010 Pedersen D14/223
 D635,558 S * 4/2011 Zheng D14/206
 D668,244 S * 10/2012 Matsumura D14/223
 D673,430 S * 1/2013 Glassman D3/201
 D686,065 S * 7/2013 Kuo D9/432
 D697,058 S * 1/2014 Thompson D14/205
 D698,026 S * 1/2014 Kuwata D24/174
 D706,643 S * 6/2014 Akana D9/432
 D709,758 S * 7/2014 Burdock-Latter D9/418
 D712,279 S * 9/2014 Akana D9/721
 D716,770 S * 11/2014 Bonahoom D14/223
 D722,264 S * 2/2015 Saideh D9/418
 8,965,030 B2 * 2/2015 Aase H04R 1/1016
 381/380
 D723,792 S * 3/2015 Anderson D3/201
 D731,781 S * 6/2015 Behar D3/201
 D734,022 S * 7/2015 Harper D3/201
 D735,169 S * 7/2015 Shieh D14/223
 D744,456 S * 12/2015 Pedersen D14/223
 9,445,631 B1 * 9/2016 Patel A24F 23/00

D772,572 S * 11/2016 Palmborg D3/201
 D775,960 S * 1/2017 Erdwiens D9/521
 D777,149 S * 1/2017 Bonahoom D14/223
 D778,156 S * 2/2017 Follett D9/432
 D786,834 S * 5/2017 Samrelius D14/223
 D791,479 S * 7/2017 Son D3/298
 D796,968 S * 9/2017 Akana D14/223
 D799,316 S * 10/2017 Thain D9/415
 D800,097 S * 10/2017 Chen D14/223
 D806,388 S * 1/2018 Akana D3/294
 D806,879 S * 1/2018 Horbinski D24/174
 D817,309 S * 5/2018 Czaniecki D14/223
 D817,640 S * 5/2018 Dang D3/294
 D818,268 S * 5/2018 Akana D3/294
 9,961,434 B2 * 5/2018 Kelly H04R 1/1066
 D821,970 S * 7/2018 Loermann D13/107
 D822,374 S * 7/2018 Hung D3/201
 D832,240 S * 10/2018 Birger D14/223
 D832,824 S * 11/2018 Kim D14/223
 D833,420 S * 11/2018 Lindenberger D14/223
 D834,301 S * 11/2018 Poissant D3/201
 D838,480 S * 1/2019 Son D3/294
 D841,626 S * 2/2019 Tang D14/223
 D841,627 S * 2/2019 Wen D14/223
 D843,354 S * 3/2019 Kumano D14/223
 D845,932 S * 4/2019 Lu D14/223
 D846,264 S * 4/2019 Wu D3/201
 2007/0256946 A1 * 11/2007 Godshaw B65D 25/10
 206/320
 2007/0272686 A1 * 11/2007 Yu A45C 11/00
 220/4.02
 2011/0155147 A1 * 6/2011 McIntosh A61F 11/08
 128/864
 2017/0026738 A1 * 1/2017 Tang H04R 1/1091

* cited by examiner

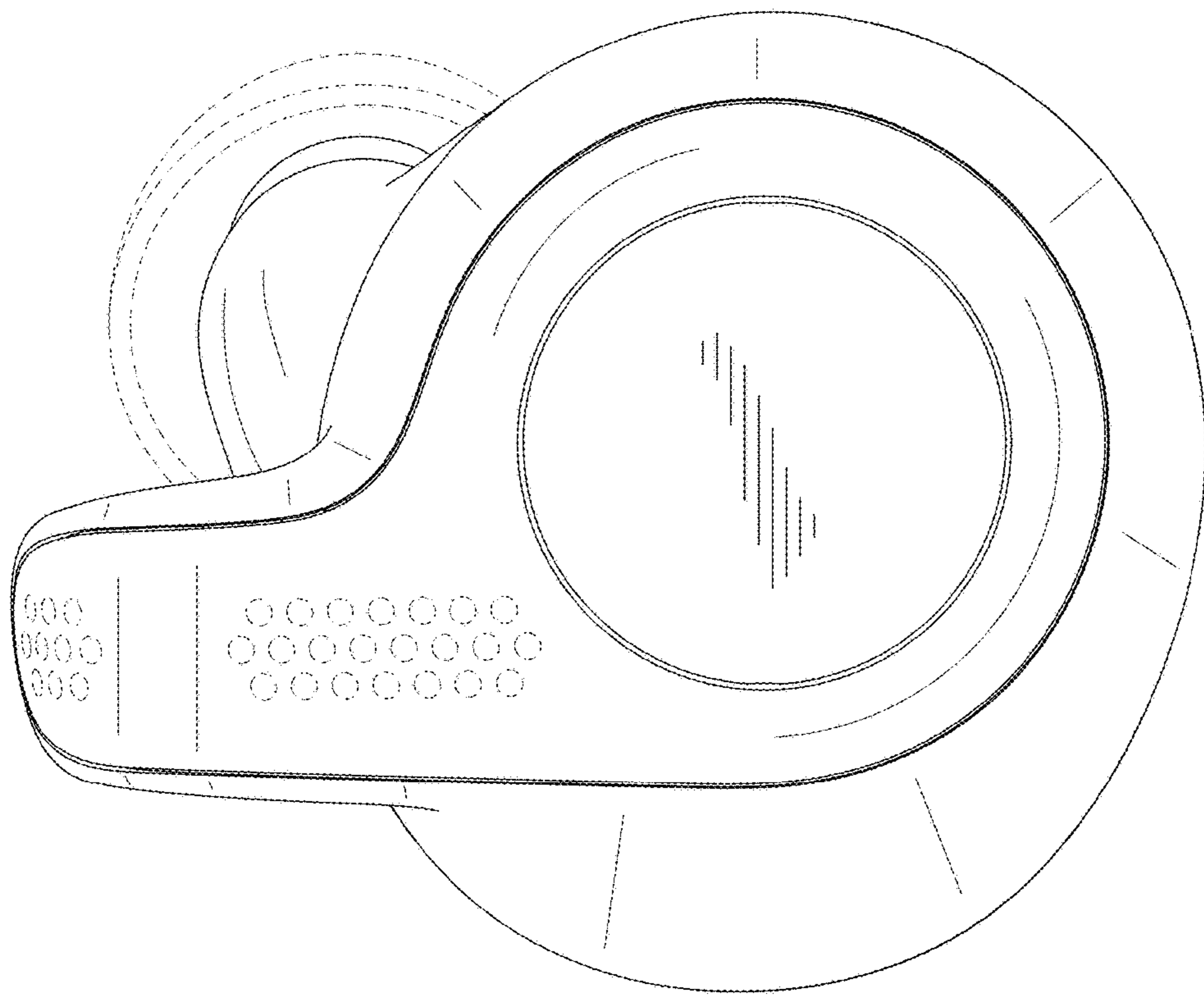


FIG. 1

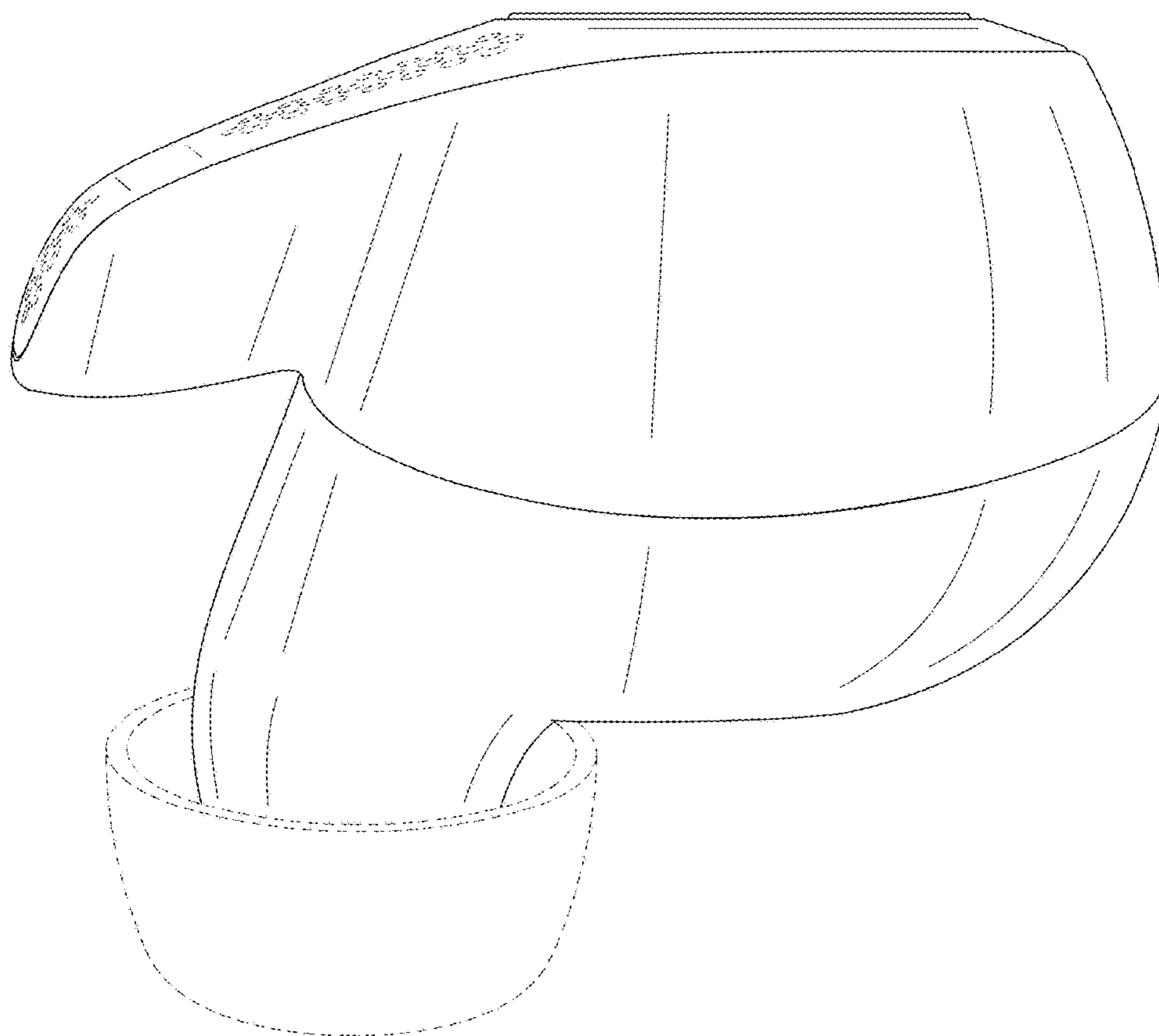


FIG. 2

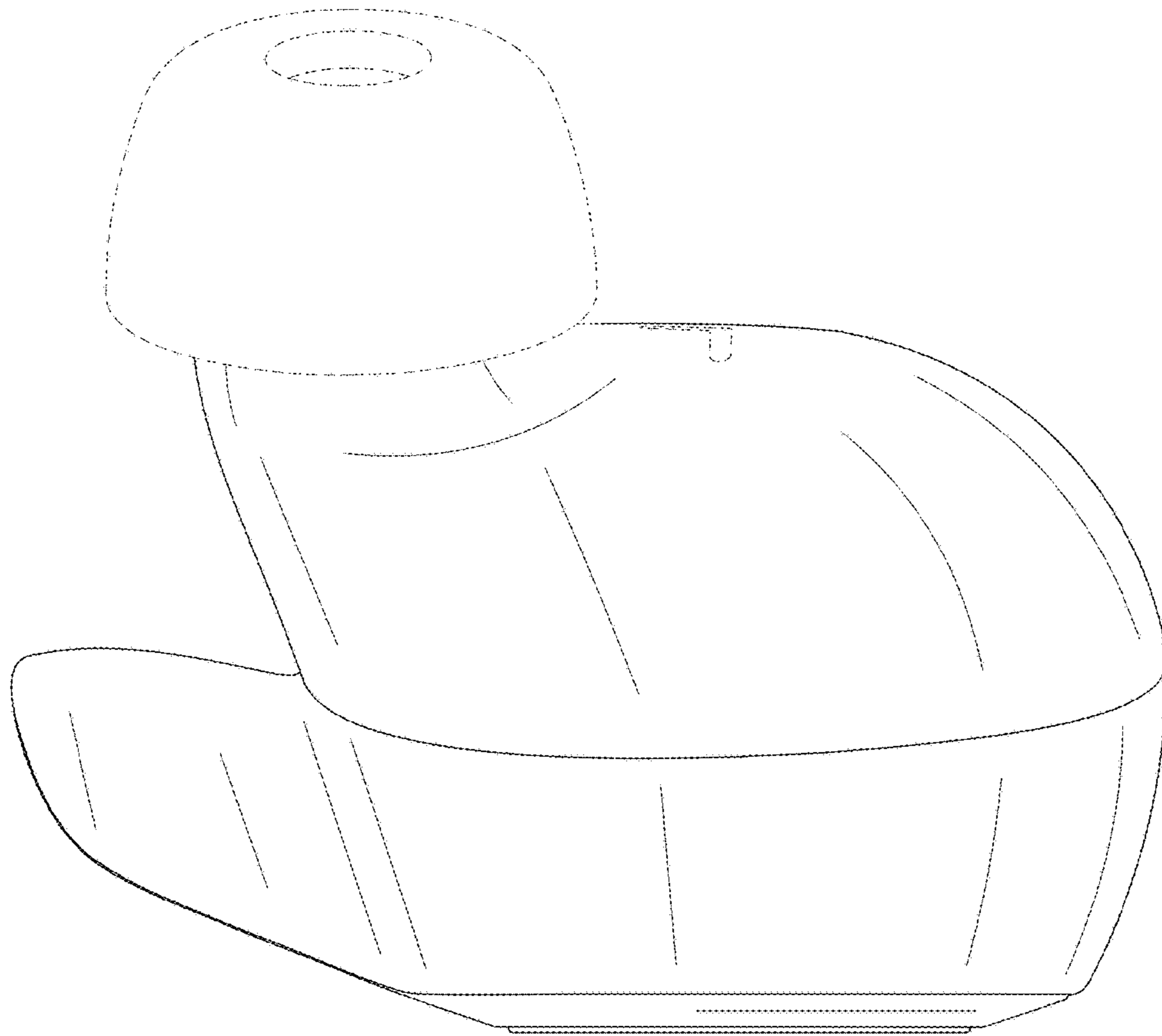


FIG. 3

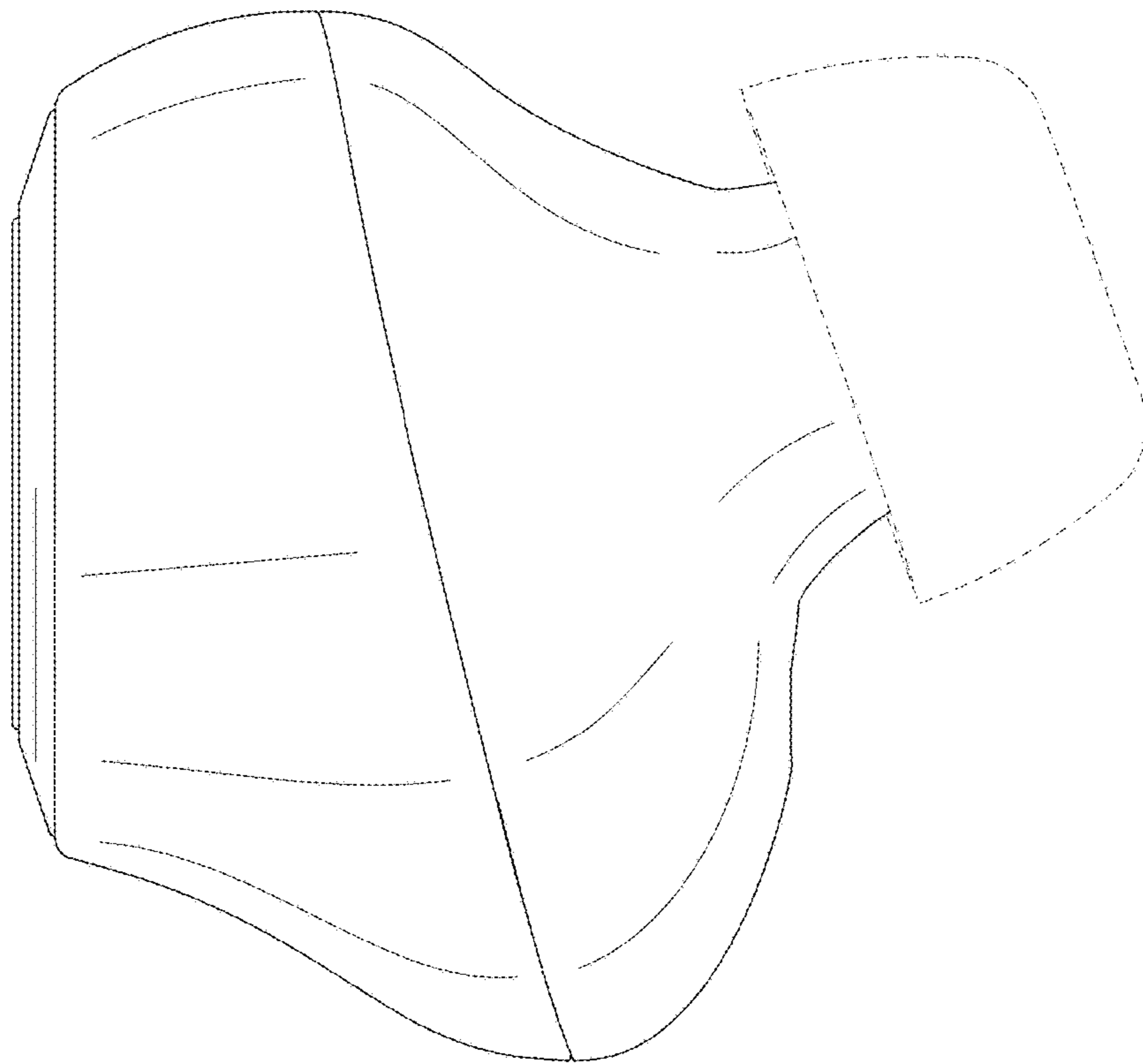


FIG. 4

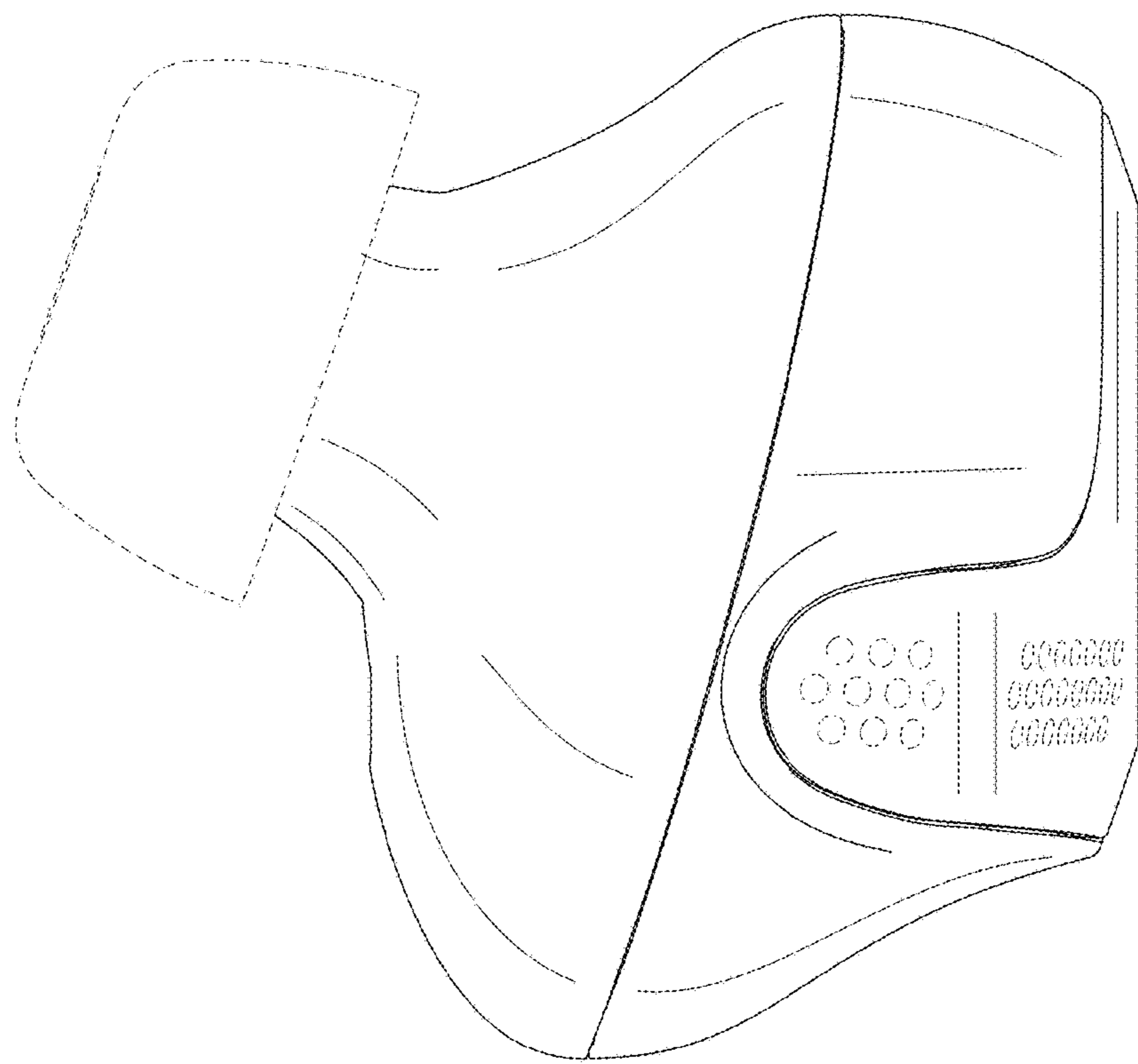


FIG. 5

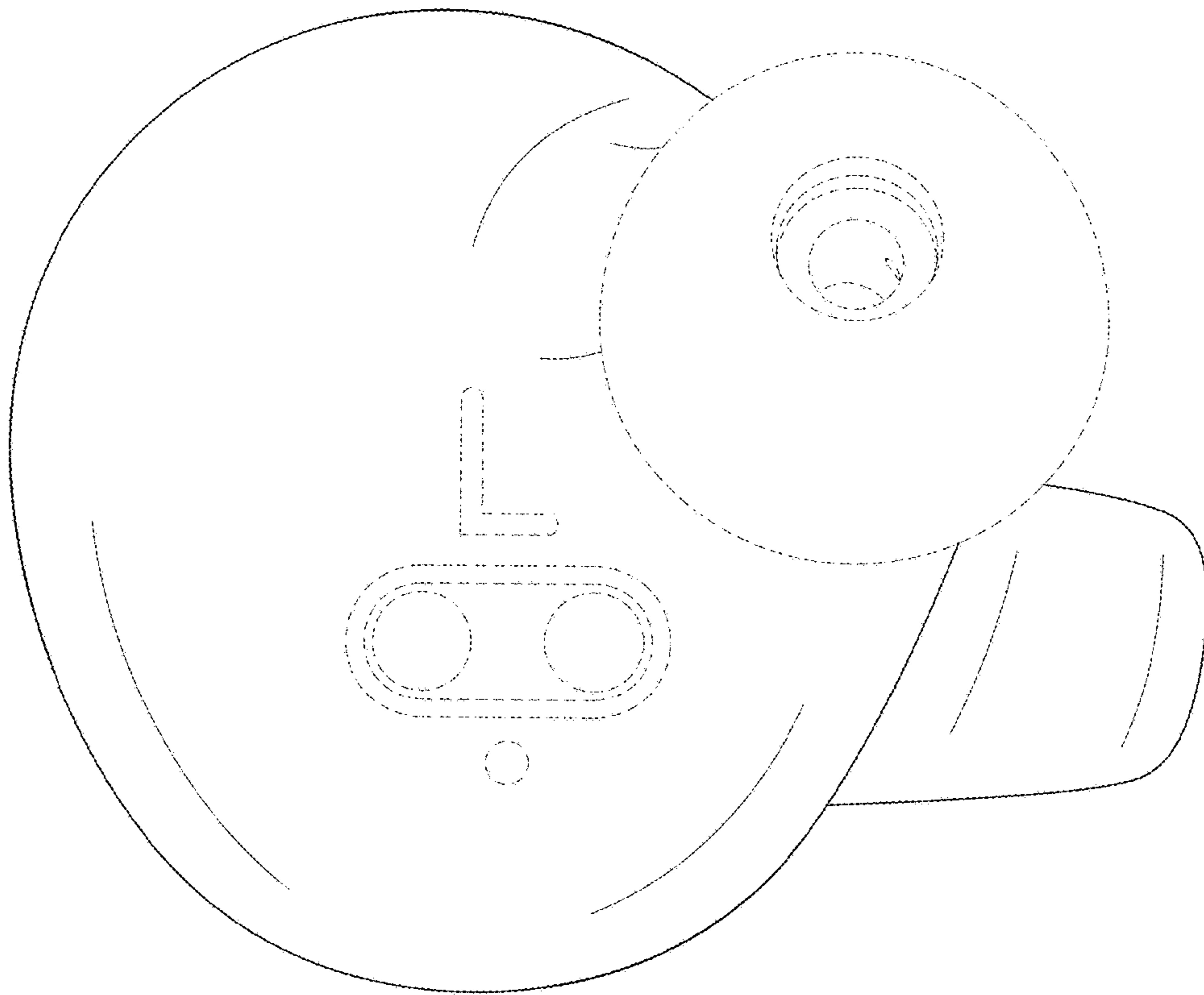


FIG. 6

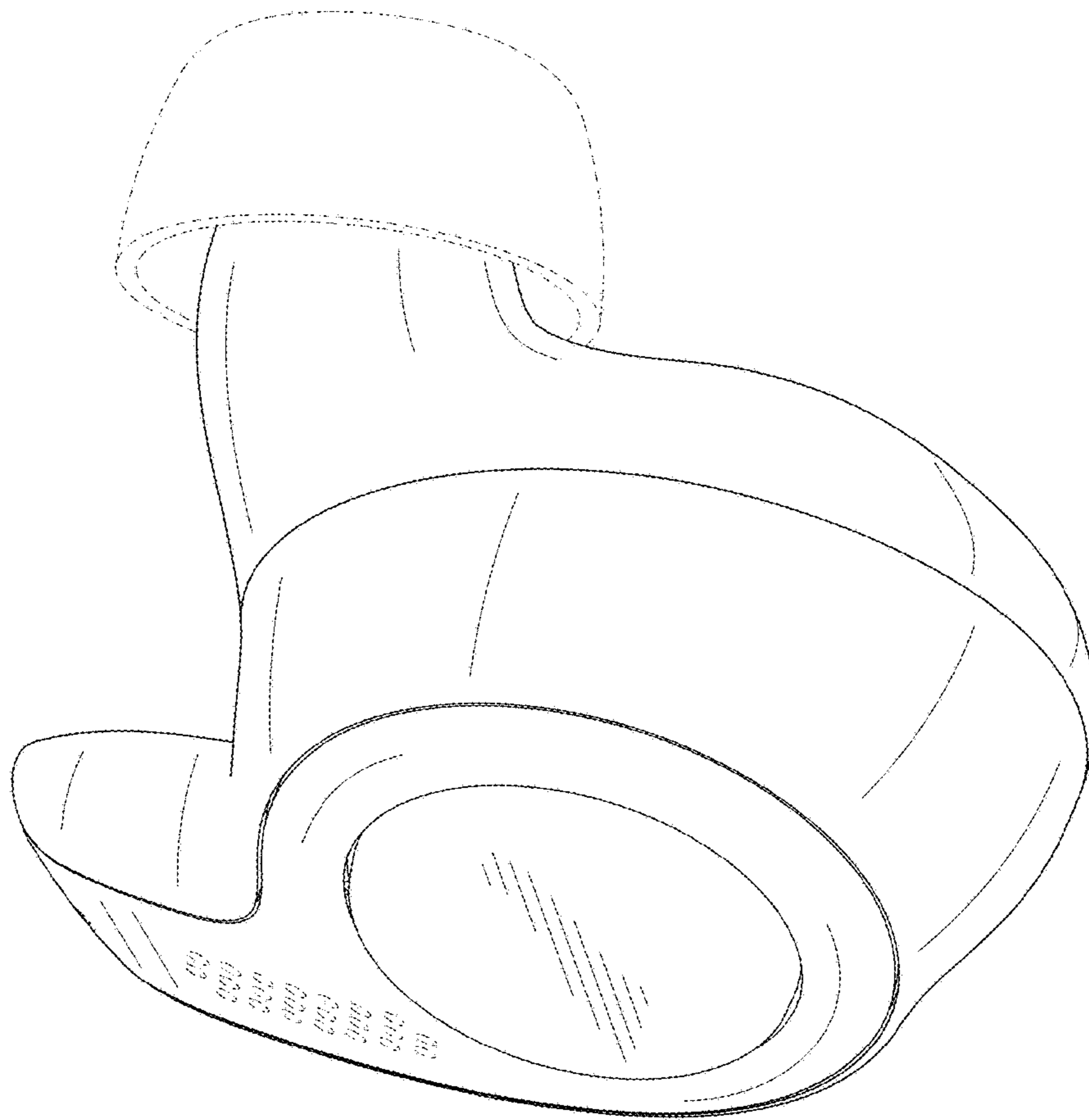


FIG. 7

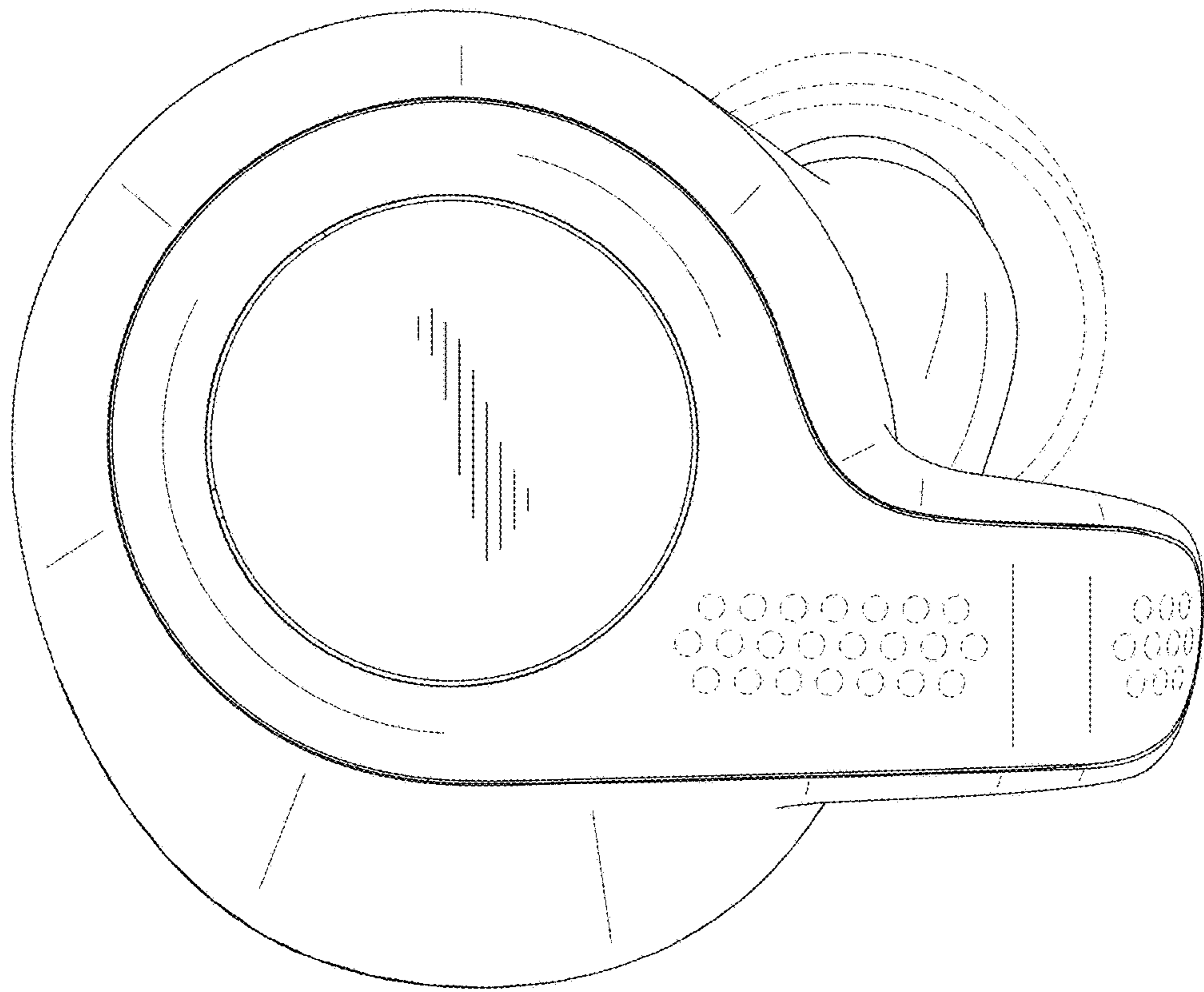


FIG. 8

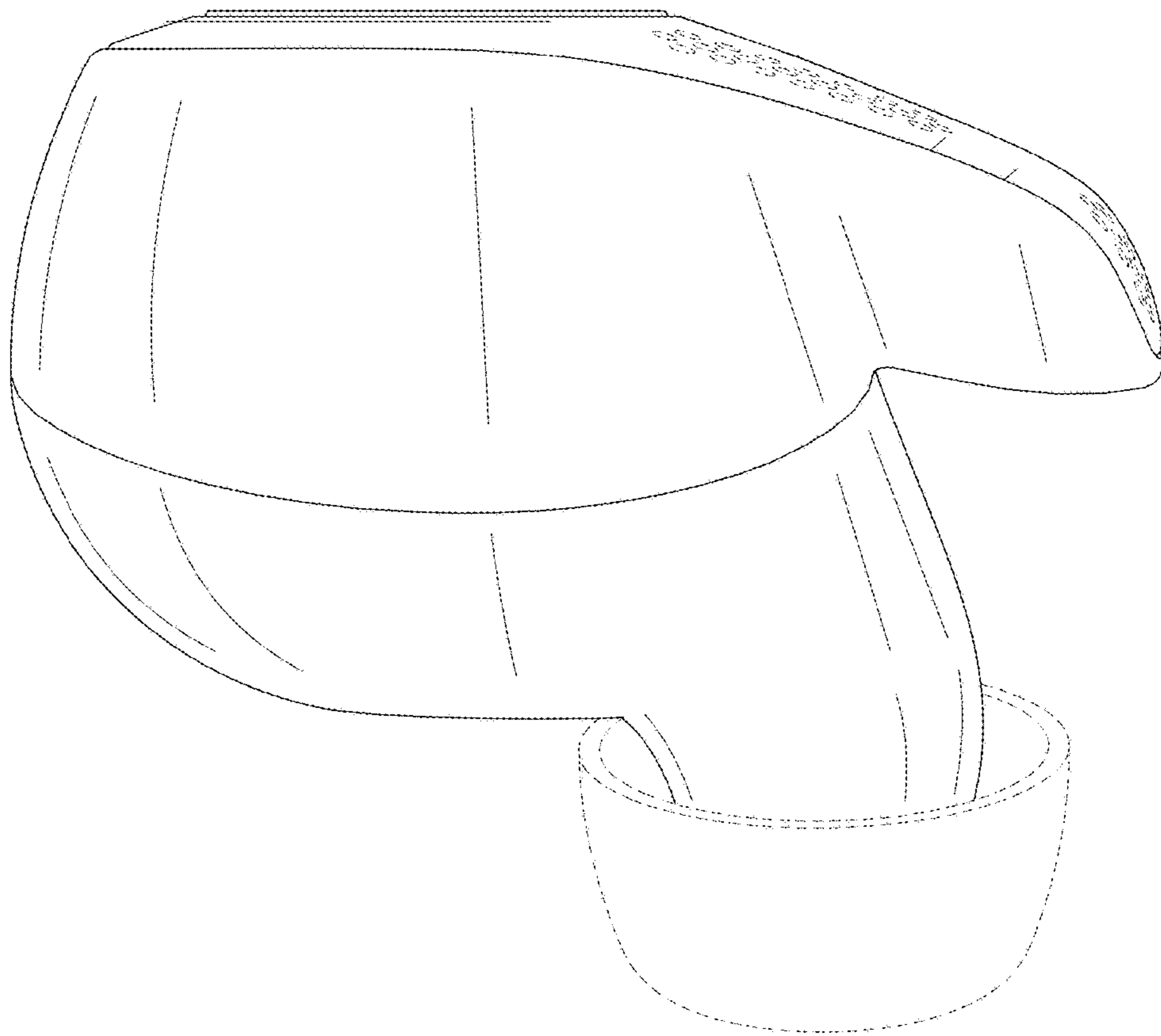


FIG. 9

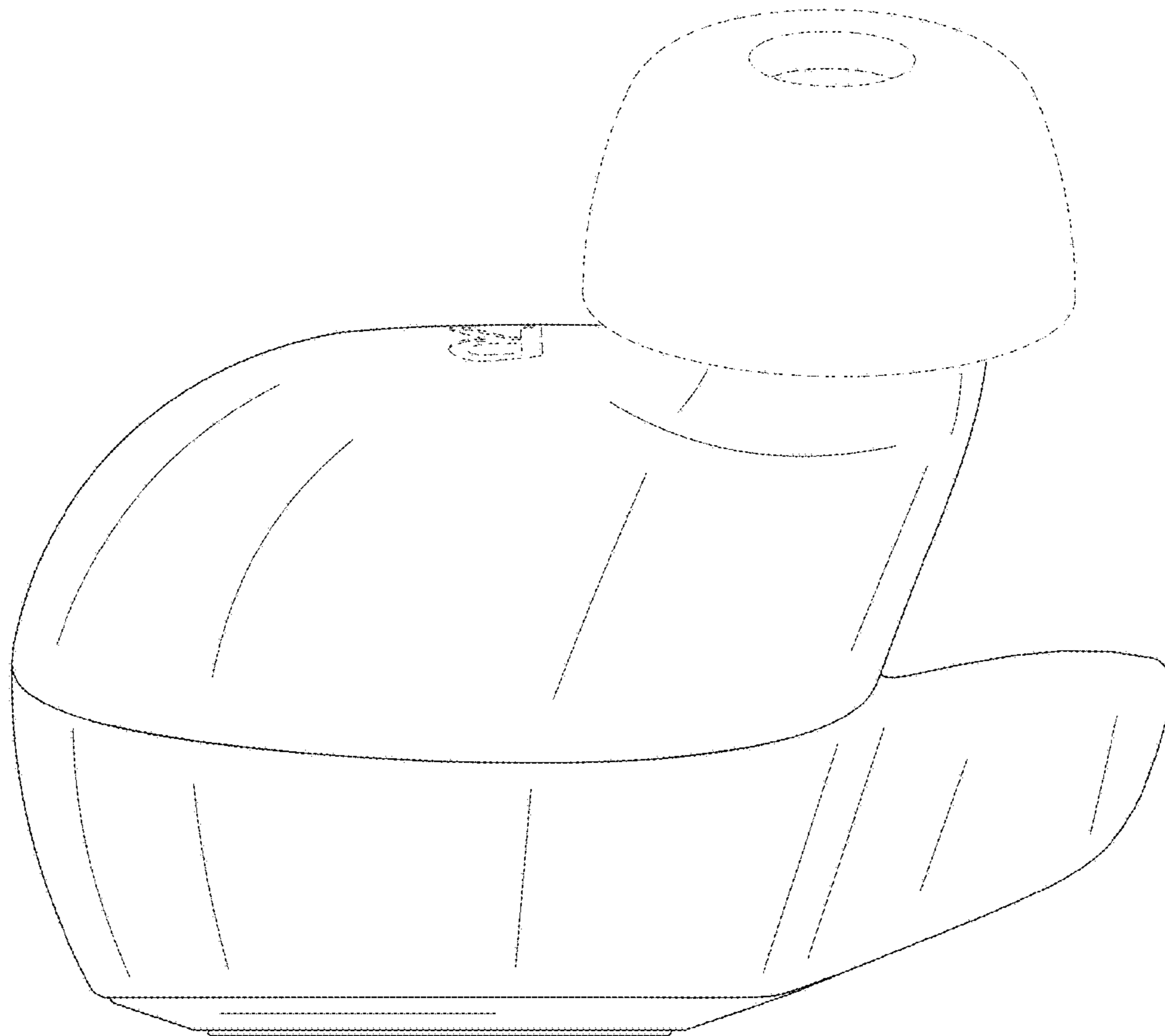


FIG. 10

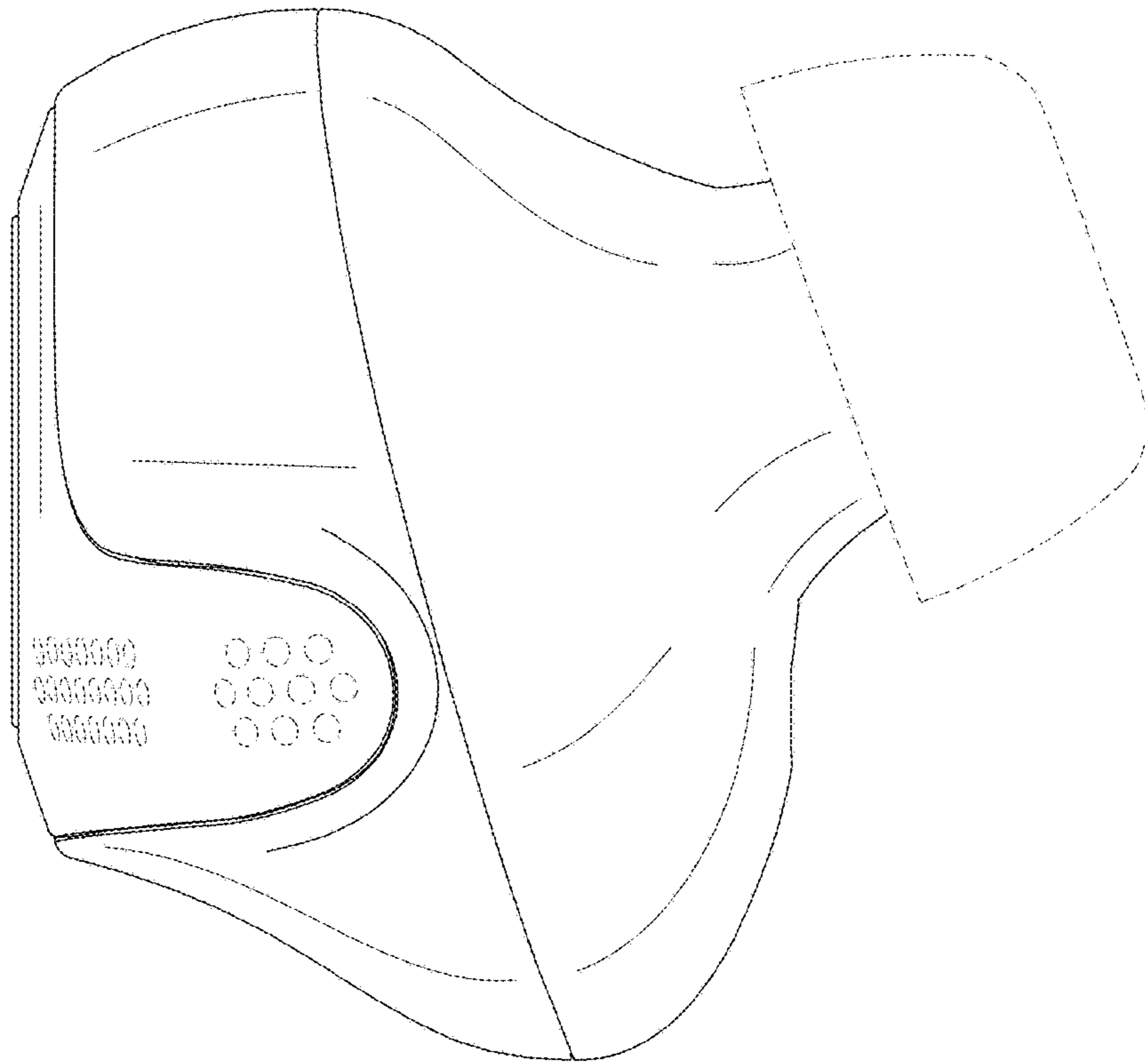


FIG. 11

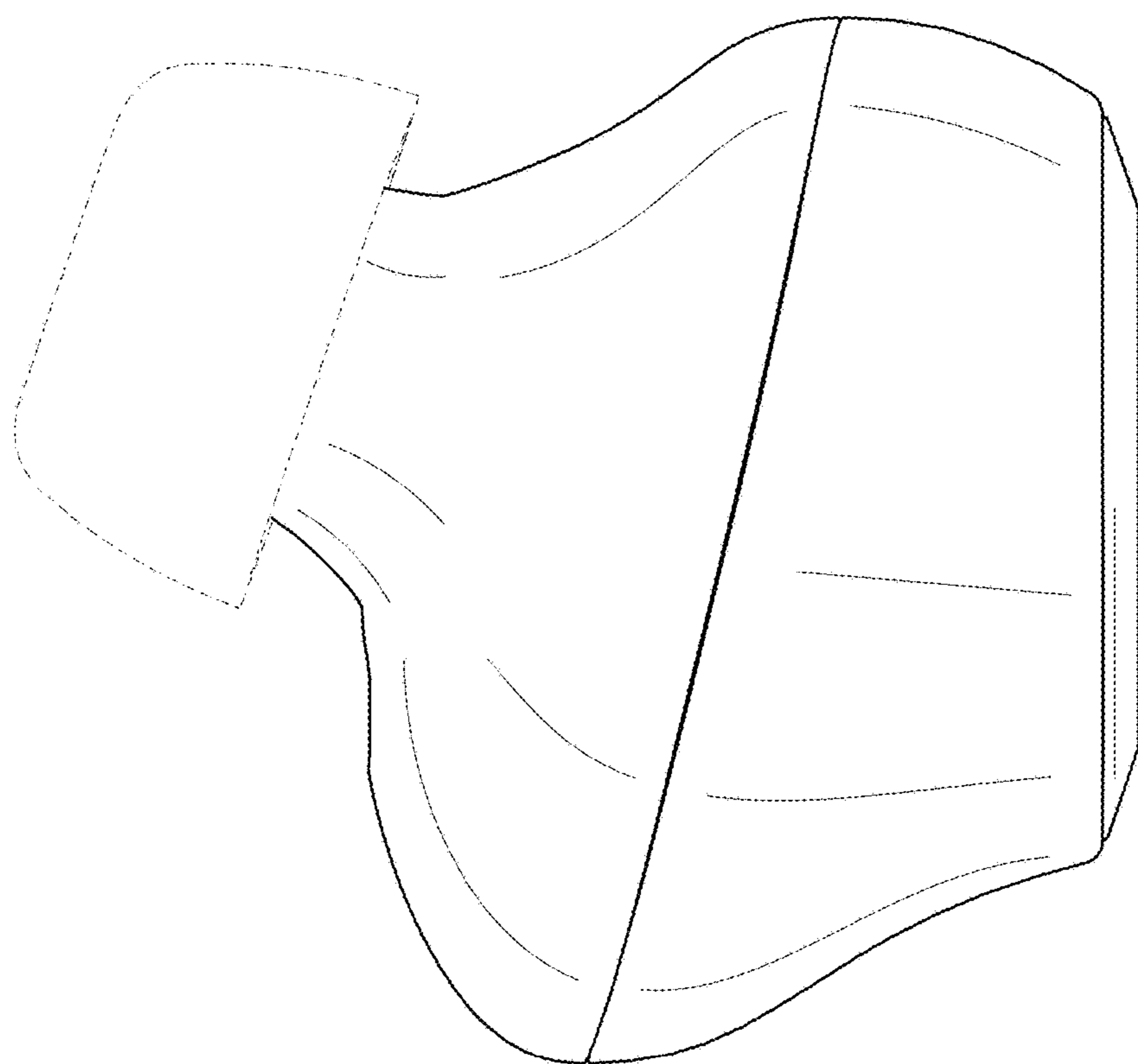


FIG. 12

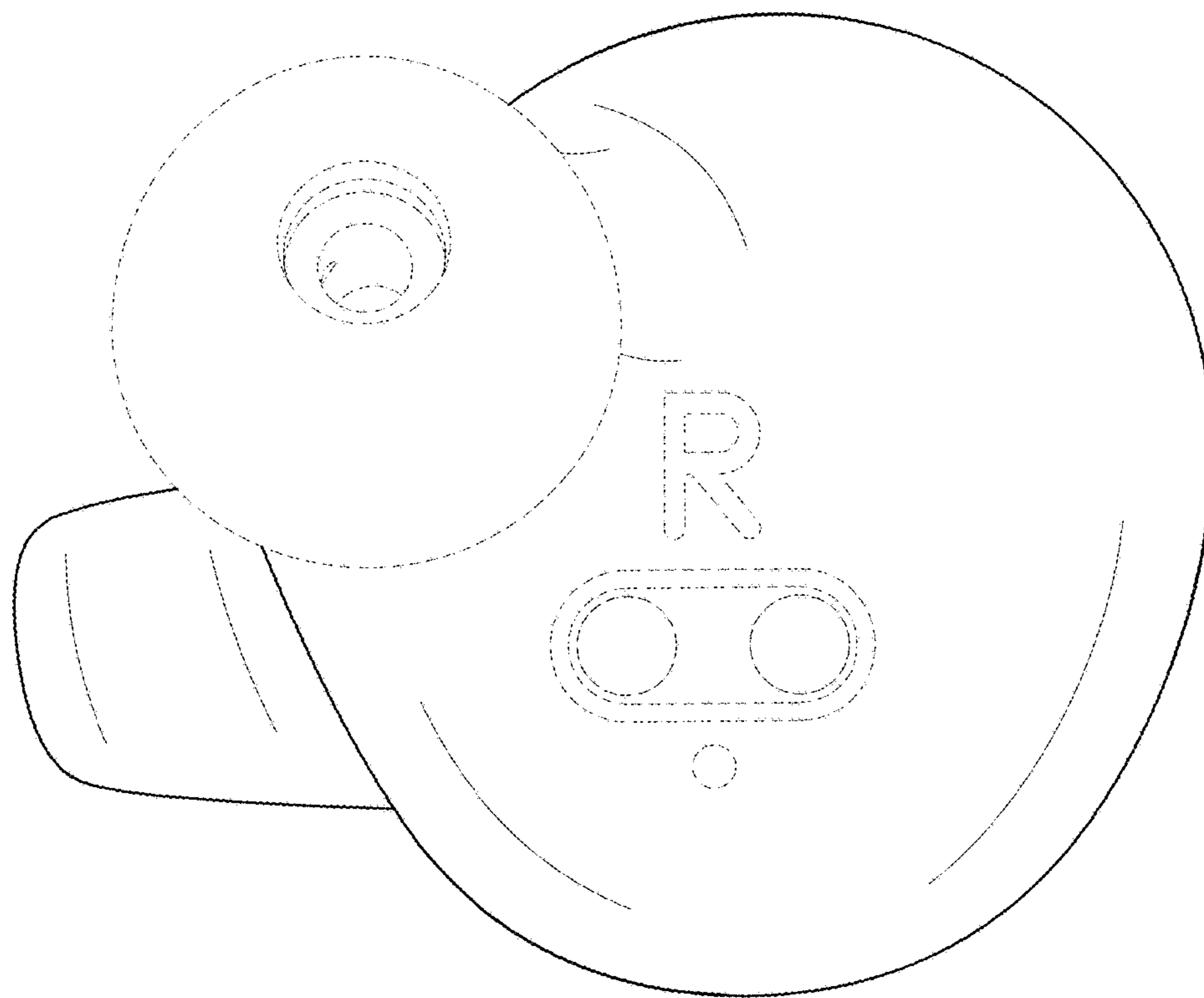


FIG. 13

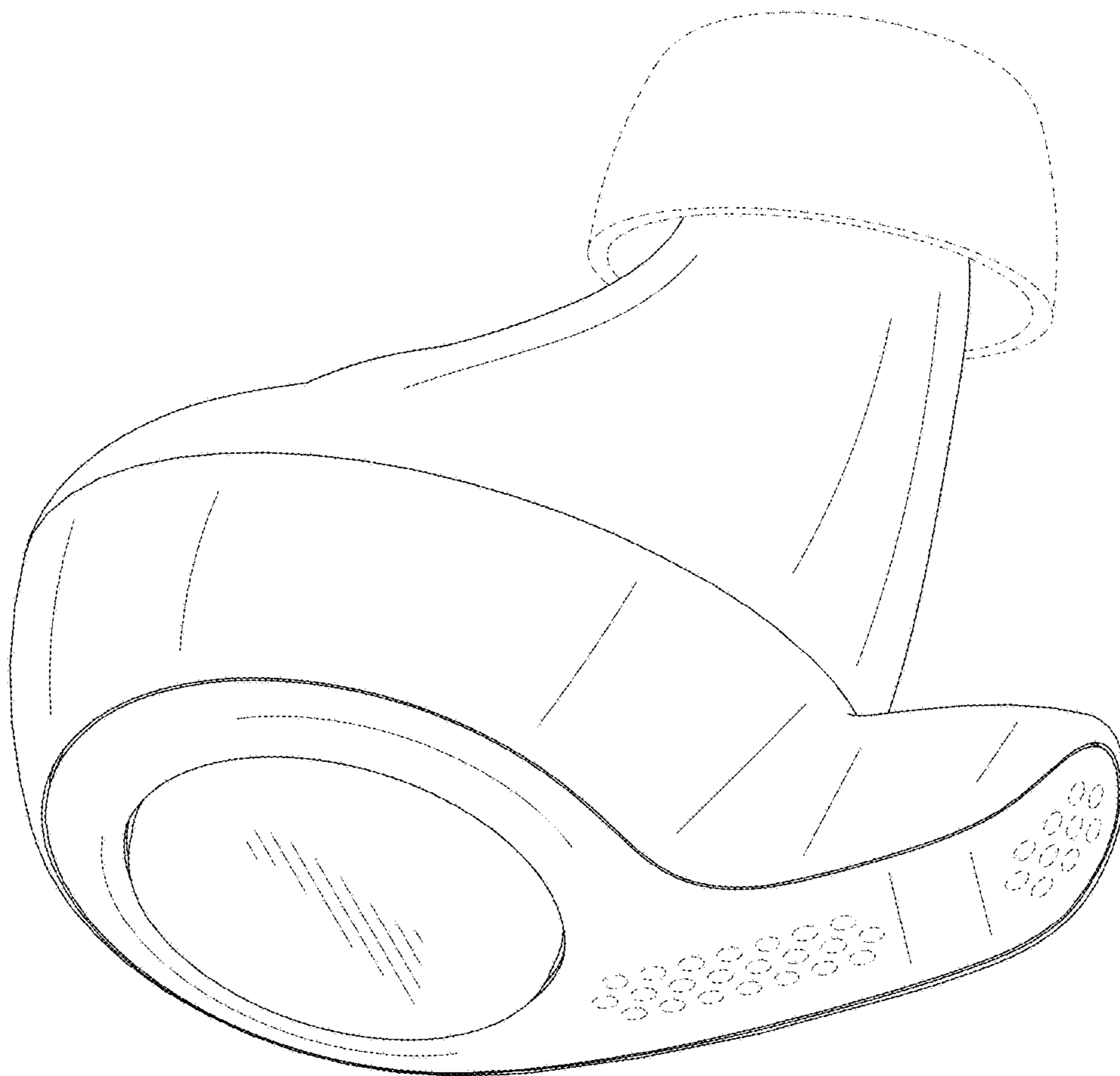


FIG. 14