



US00D866518S

(12) **United States Design Patent**
Ding

(10) **Patent No.:** **US D866,518 S**

(45) **Date of Patent:** **** Nov. 12, 2019**

(54) **WIRELESS CONFERENCE SPEAKER**

(71) Applicant: **Shenzhen eMeet Technology Co., Ltd.**,
Shenzhen (CN)

(72) Inventor: **Shijun Ding**, Shenzhen (CN)

(**) Term: **15 Years**

(21) Appl. No.: **29/641,982**

(22) Filed: **Mar. 27, 2018**

(30) **Foreign Application Priority Data**

Jan. 31, 2018 (CN) 2018 3 0047089

(51) **LOC (12) Cl.** **14-01**

(52) **U.S. Cl.**
USPC **D14/216**

(58) **Field of Classification Search**

USPC D14/167, 168, 170–172, 188, 194–196,
D14/204, 207, 209.1, 210–216, 219, 221,
D14/222, 224, 239, 496; 181/143, 144,
181/147, 148, 150, 153, 157, 198, 199;
381/300–303, 306, 332, 333, 336, 345,
381/361–364, 386–388; 369/6–12
CPC B60R 11/0217; G06F 1/1688; G10K 9/22;
G10K 11/004; H03F 1/327; H04M 1/03;
H04M 1/035; H04N 5/642; H04N
21/4852; H04R 1/02; H04R 1/06; H04R
1/021; H04R 1/25; H04R 1/026; H04R
1/028; H04R 1/105; H04R 1/323; H04R
1/403; H04R 1/2803; H04R 1/2834;
H04R 5/02; H04R 7/20; H04R 9/06;
H04R 9/025; H04R 2201/021; H04R
2400/00; H04R 2400/07; H04R 2499/11;
H04R 2499/13; H04R 2499/15; H04S
3/00; H04S 7/30

See application file for complete search history.

(56) **References Cited**

U.S. PATENT DOCUMENTS

D411,409 S * 6/1999 Wallays D7/391
D521,982 S * 5/2006 Schafernak D14/216

D537,072 S * 2/2007 Kim D14/215
D560,209 S * 1/2008 Kim D14/215
D591,269 S * 4/2009 Kim D14/216
D596,159 S * 7/2009 Yamaji D14/209.1
D601,564 S * 10/2009 Maeno D14/400
D636,760 S * 4/2011 Cheng D14/216

(Continued)

OTHER PUBLICATIONS

Bluetooth Conference Speaker—eMeet M1 Silver Wireless Conference Phone, Amazon.com, Date first listed on Amazon: Feb. 20, 2018, [online], [site visited Jun. 6, 2019]. URL: <https://www.amazon.com/Conference-eMeet-Speakerphone-Wireless-Indication/dp/B079M2VFZK> (Year: 2018).*

(Continued)

Primary Examiner — T Chase Nelson

Assistant Examiner — Jonathan J. Han

(74) *Attorney, Agent, or Firm* — W&K IP

(57) **CLAIM**

The ornamental design for a wireless conference speaker, as shown and described.

DESCRIPTION

FIG. 1 is a perspective view of a wireless conference speaker;

FIG. 2 is another perspective view thereof;

FIG. 3 is a front view thereof;

FIG. 4 is a back view thereof;

FIG. 5 is a left side view thereof;

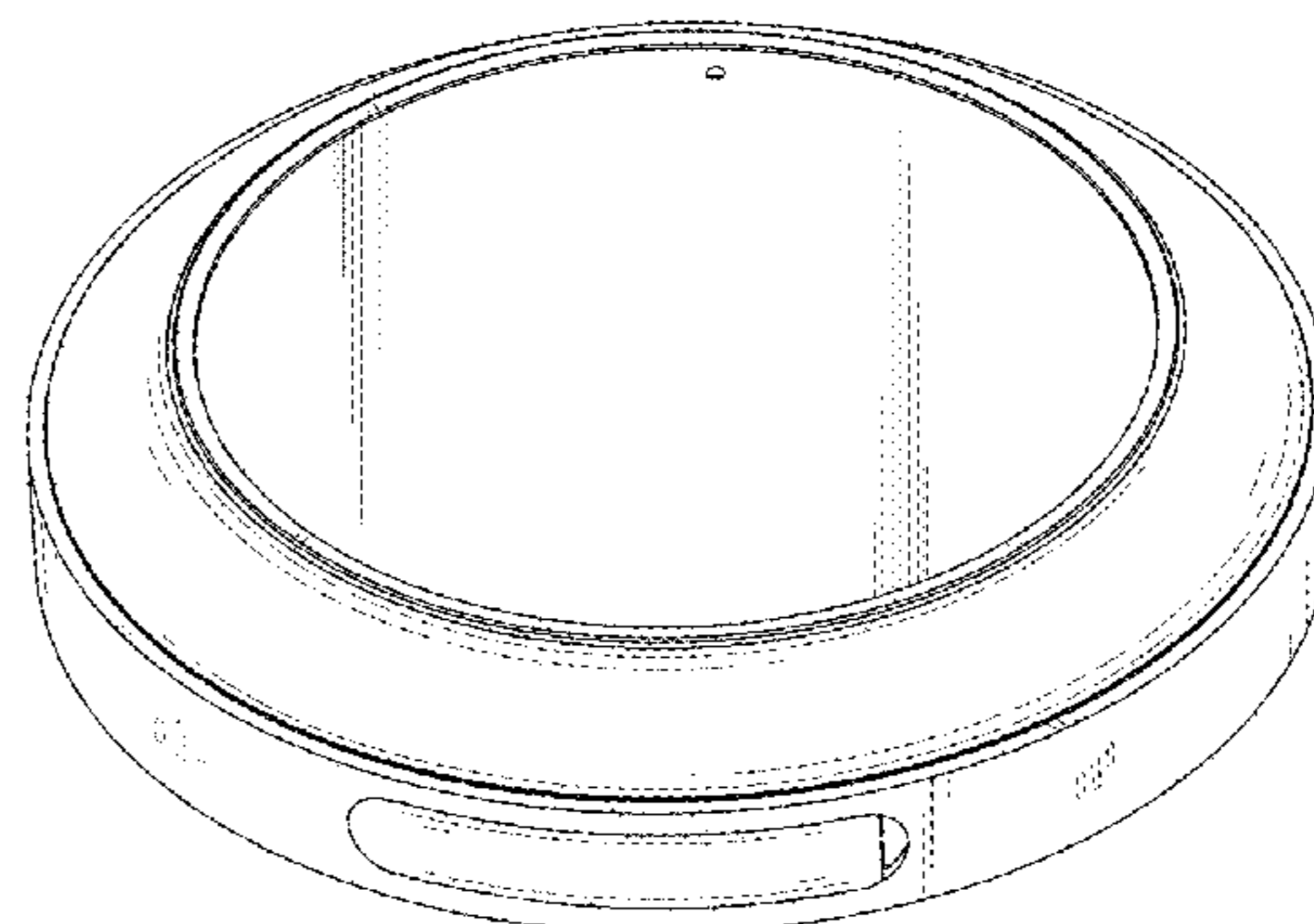
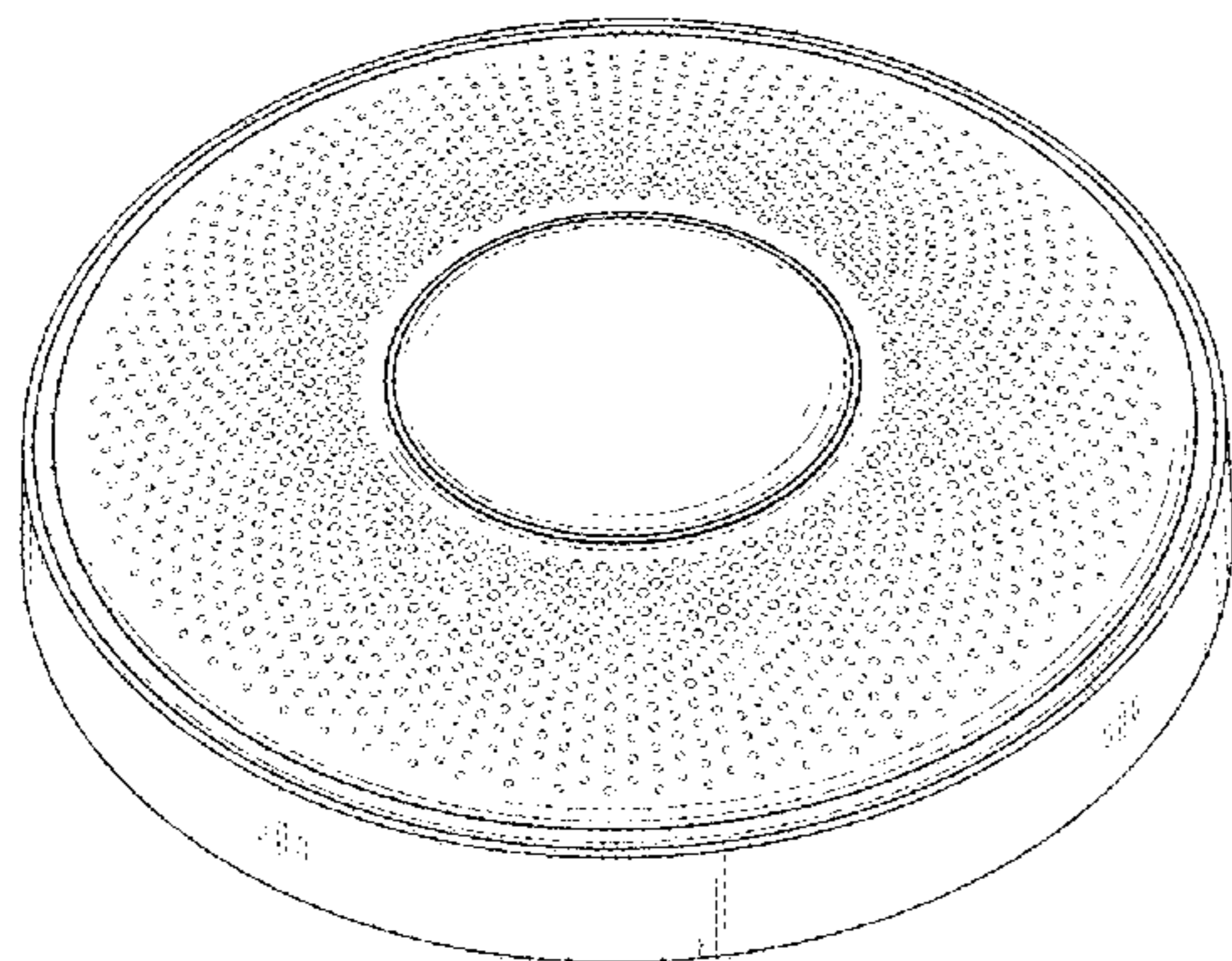
FIG. 6 is a right side view thereof;

FIG. 7 is a top plan view thereof; and,

FIG. 8 is a bottom plan view thereof.

The dashed or broken lines shown in the drawings depict portions of the wireless conference speaker in which the design is embodied that form no part of the claimed design.

1 Claim, 8 Drawing Sheets



(56)

References Cited

U.S. PATENT DOCUMENTS

D700,904 S * 3/2014 Miller D13/168
 D709,396 S * 7/2014 Eidelman D10/106.9
 D717,298 S * 11/2014 Sale D14/371
 D717,770 S * 11/2014 Yamamoto D14/216
 D725,088 S * 3/2015 Kwak D14/240
 D728,525 S * 5/2015 Zhang D14/216
 D730,872 S * 6/2015 Wan D14/216
 D732,006 S * 6/2015 Zhao D14/216
 9,148,714 B2 * 9/2015 Zhao H04R 1/021
 D740,258 S * 10/2015 Yu D14/216
 D768,113 S * 10/2016 Lee D14/216
 D768,114 S * 10/2016 Hou D13/168
 D770,417 S * 11/2016 Chen D14/216
 D771,142 S * 11/2016 Langhammer D14/203.6
 D772,813 S * 11/2016 Wahl D13/108
 D778,871 S * 2/2017 Corval D14/204
 D805,926 S * 12/2017 Im D10/57
 D811,361 S * 2/2018 Peng D14/149
 D822,717 S * 7/2018 Lim D14/496

D826,738 S * 8/2018 Liao D10/52
 D828,333 S * 9/2018 Hu D14/216
 D829,690 S * 10/2018 Chen D14/216
 D839,189 S * 1/2019 Miller D13/108

OTHER PUBLICATIONS

Bluetooth Speakerphone—eMeet M2 Gray Conference Speakerphone, Amazon.com, Date first listed on Amazon: Jun. 1, 2018, [online], [site visited Jun. 6, 2019]. URL: https://www.amazon.com/dp/B07CSRB6SH/ref=sspa_dk_detail_0?psc=1 (Year: 2018).*

Jabra Speak 510 Wireless Bluetooth & USB Speakerphone Review, YouTube.com, Reviews by Tiger, Published on Jun. 21, 2014, [online], [site visited Jun. 6, 2019]. URL: https://www.youtube.com/watch?v=y8kqt_OjJ0w (Year: 2014).*

Shure MXA 310 Dante Table Top Microphone, AATSYS.com, Review: Monday, Mar. 11, 2019, [online], [site visited Jun. 6, 2019]. URL: <https://aatsys.com/lowest-price/shure-mxa-310-dante-table-top-microphone/> (Year: 2019).*

* cited by examiner

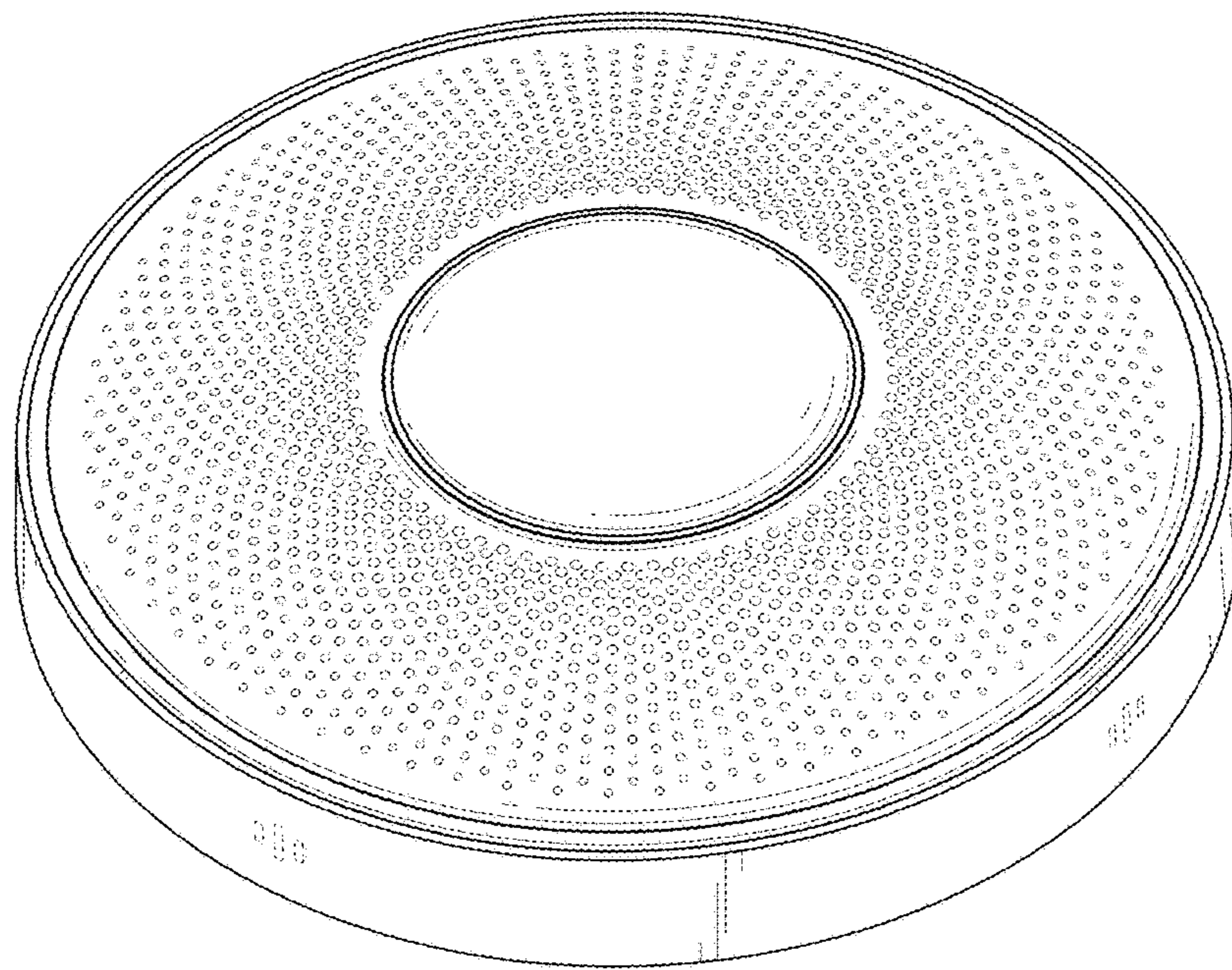


FIG. 1

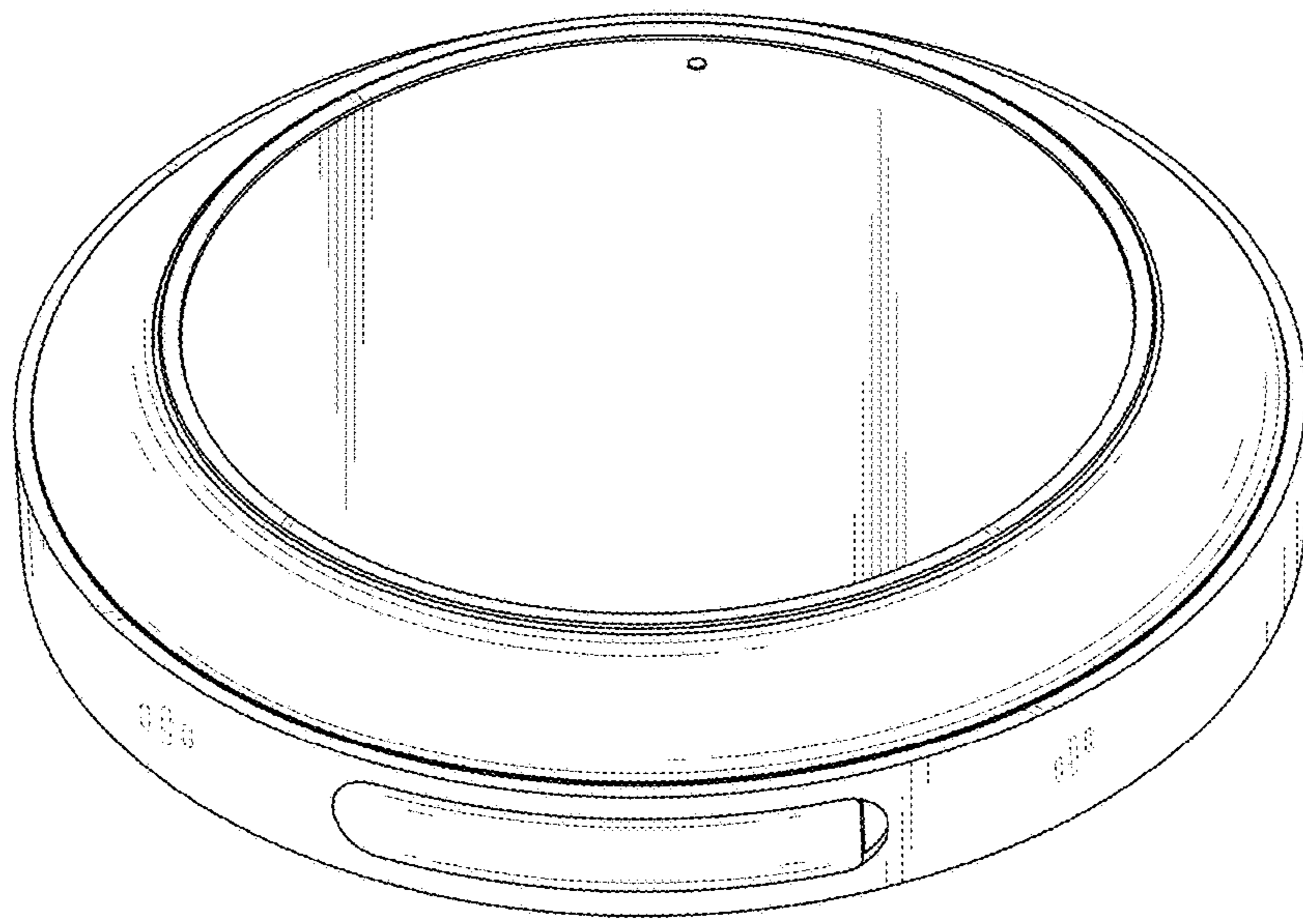


FIG. 2

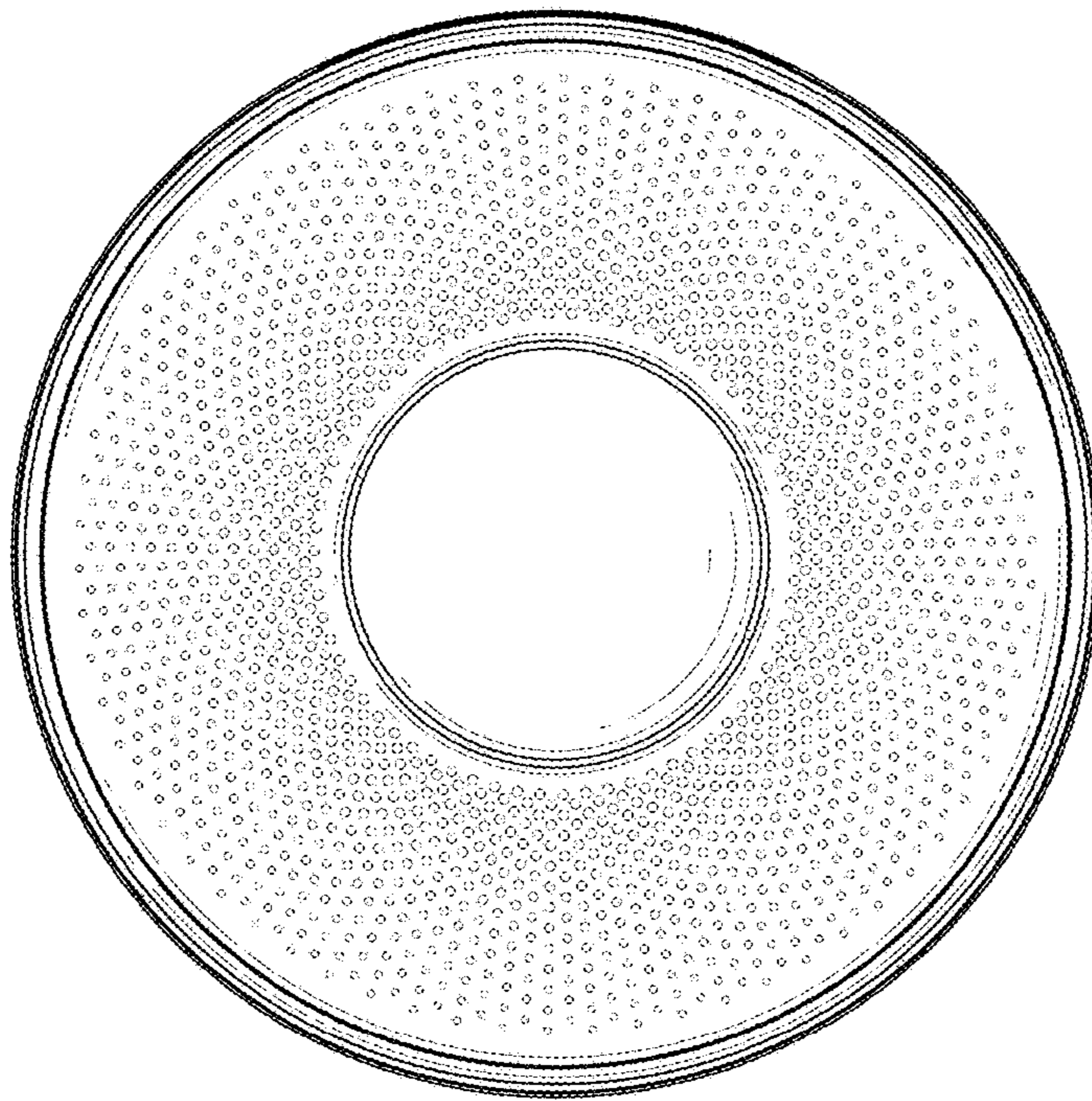


FIG. 3

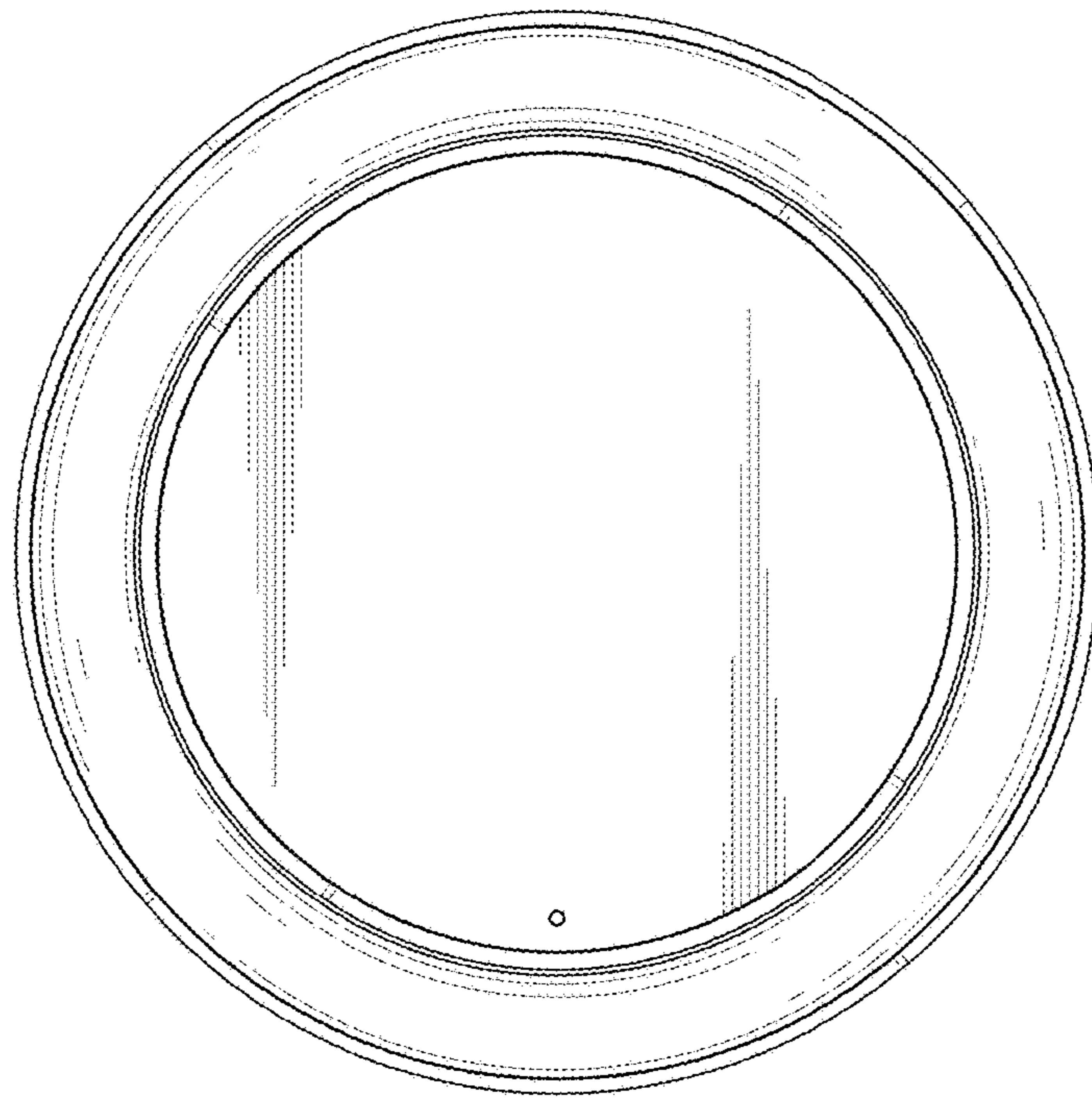


FIG. 4

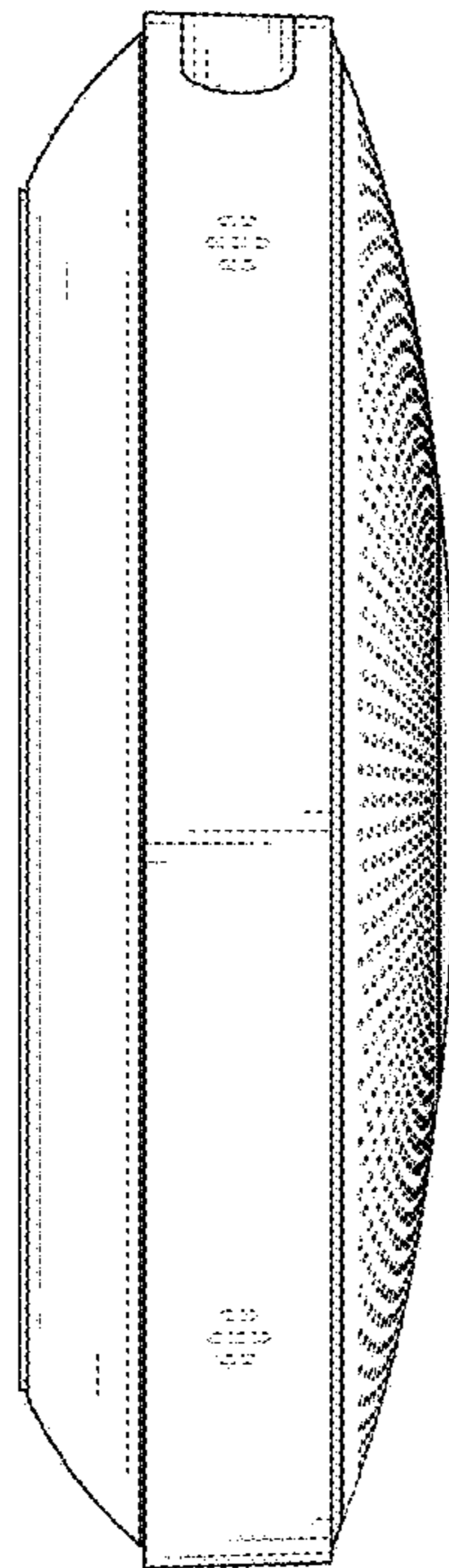


FIG. 5

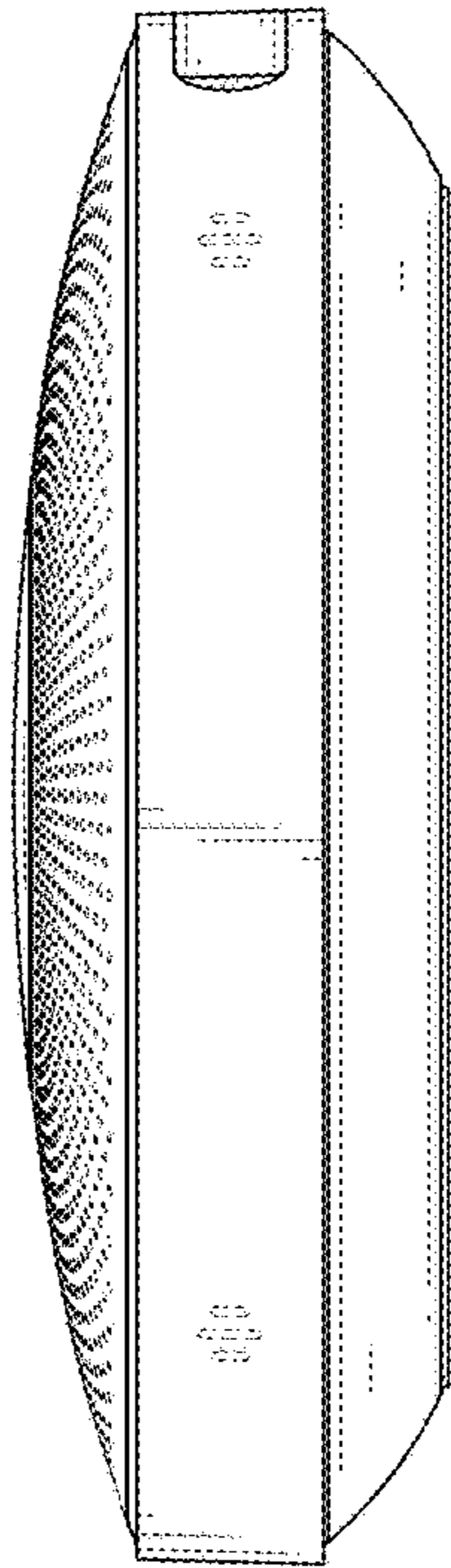


FIG. 6

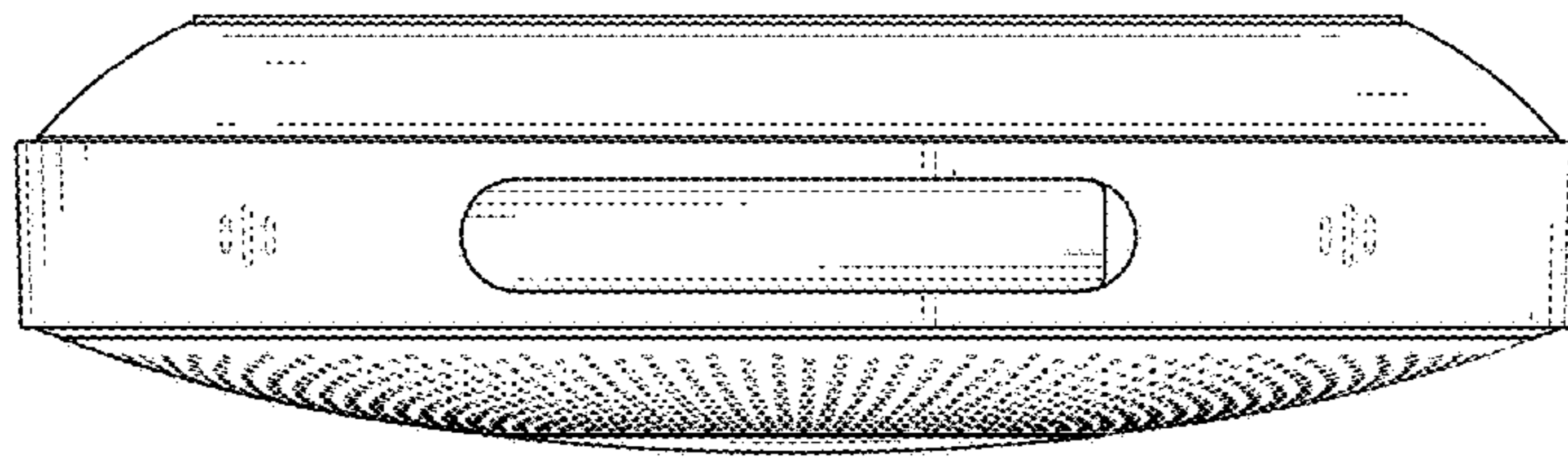


FIG. 7

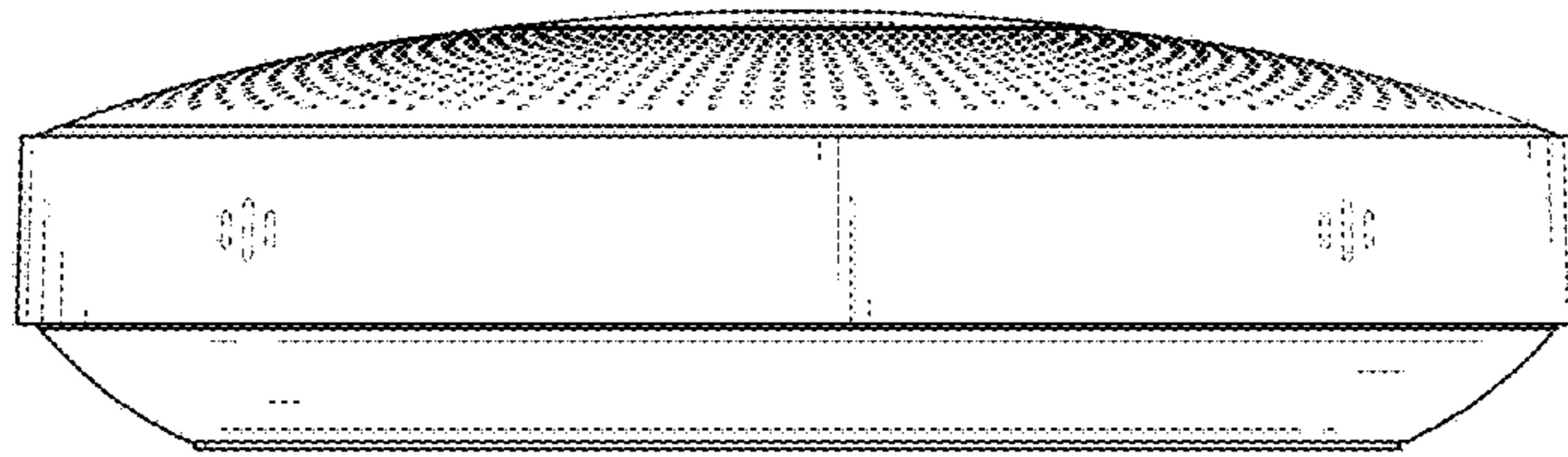


FIG. 8