



US00D866517S

(12) **United States Design Patent**
Wakasa et al.

(10) **Patent No.:** **US D866,517 S**

(45) **Date of Patent:** **** Nov. 12, 2019**

(54) **SPEAKER FOR AUTOMOBILE**
(71) Applicant: **PIONEER CORPORATION**, Tokyo
(JP)

D253,108 S * 10/1979 Schroeder 181/147
D254,490 S * 3/1980 Matsubara 181/157
D257,346 S * 10/1980 Garrigus D14/228
D267,644 S * 1/1983 Warner D14/222

(Continued)

(72) Inventors: **Chie Wakasa**, Tokyo (JP); **Meiji Kitamura**, Tokyo (JP)

FOREIGN PATENT DOCUMENTS

(73) Assignee: **PIONEER CORPORATION**, Tokyo
(JP)

JP 1257224 S 12/2005
JP 1269292 S 4/2006
JP 1518779 S 3/2015

(**) Term: **15 Years**

OTHER PUBLICATIONS

(21) Appl. No.: **29/638,411**

Pioneer Catalog published in 2016, Audio & AV 2017 Car Entertainment Dealer Reference Guide vol. 1, pp. 74, 75, 78, 79, 82, 83, 88, 89.

(22) Filed: **Feb. 27, 2018**

(30) **Foreign Application Priority Data**

Primary Examiner — Paula Allen Greene

Sep. 12, 2017 (JP) 2017-019861

(74) *Attorney, Agent, or Firm* — Drinker Biddle & Reath LLP

(51) **LOC (12) Cl.** **14-01**

(52) **U.S. Cl.**
USPC **D14/216**

(58) **Field of Classification Search**
USPC D14/216, 215, 221, 222, 208, 209, 219, D14/210; 181/144–148, 156, 170, 173, 181/141, 182, 396, 186; 381/380, 381, 381/421, 423, 426, 427, 397, 186, 182, 381/412, 385, 409, 433, 395; 455/90.3, 455/575.1, 569.1
CPC ... H04R 1/20; H04R 9/06; H04R 9/04; H04R 1/00; H04R 1/24; H04R 25/00; H04R 11/02
See application file for complete search history.

(57) **CLAIM**

The ornamental design for the speaker for automobile, as shown and described.

DESCRIPTION

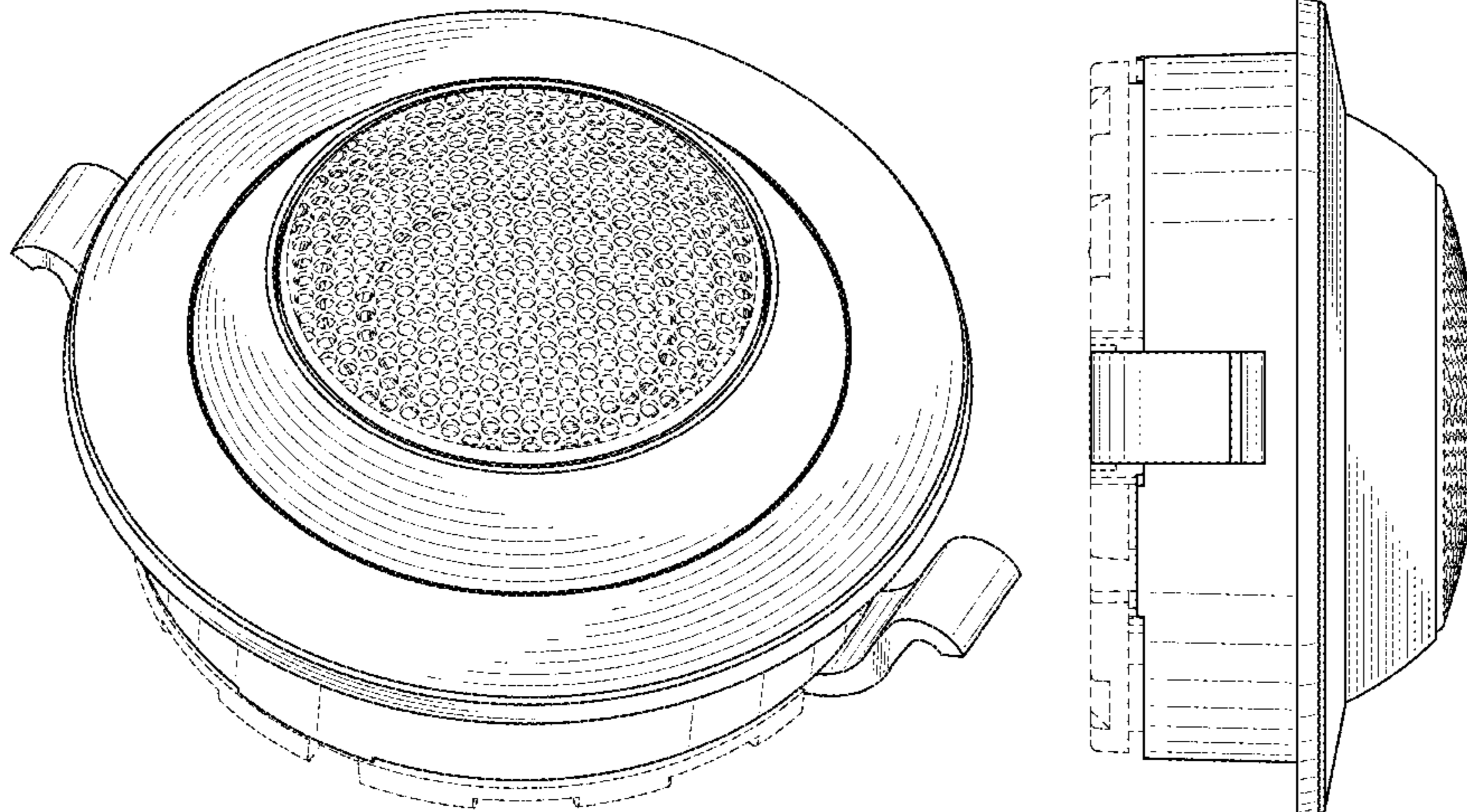
FIG. 1 is a perspective view of a speaker for automobile showing our new design;
FIG. 2 is a front view thereof;
FIG. 3 is a rear view thereof;
FIG. 4 is a right side view thereof;
FIG. 5 is a left side view thereof;
FIG. 6 is a top view thereof; and,
FIG. 7 is a bottom view thereof.
The broken lines immediately adjacent the shaded areas represent the bounds of the claimed design while all other broken lines are directed to environment and are for illustrative purposes only; the broken lines form no part of the claimed design.

(56) **References Cited**

U.S. PATENT DOCUMENTS

2,974,204 A * 3/1961 Supitilov B29C 43/00
181/166
3,176,086 A * 3/1965 Coen H04R 9/02
335/231
3,898,393 A * 8/1975 Digre H04R 9/02
335/231
D239,537 S * 4/1976 Wagner D14/222

1 Claim, 7 Drawing Sheets



(56)

References Cited

U.S. PATENT DOCUMENTS

4,951,270 A * 8/1990 Andrews H04R 9/066
 181/144
 D315,562 S * 3/1991 Brown D14/213
 5,148,490 A * 9/1992 Draffen B60R 11/0217
 381/302
 5,319,164 A * 6/1994 Shen H04R 1/025
 181/150
 D362,442 S * 9/1995 Goldfarb D14/215
 D402,988 S * 12/1998 Shin D14/214
 5,854,846 A * 12/1998 Beavers H04R 19/04
 381/174
 D438,195 S * 2/2001 Chao D14/222
 D484,492 S * 12/2003 Welker D14/216
 D488,802 S * 4/2004 Uehara D14/216
 6,870,943 B2 * 3/2005 Liu H04R 1/026
 181/150
 D504,416 S * 4/2005 Dayan D14/216
 D521,982 S * 5/2006 Schafernak D14/216
 D533,163 S * 12/2006 Takase D14/215

D533,537 S * 12/2006 Reardon D14/172
 D560,658 S * 1/2008 Akaishi D14/221
 7,336,798 B2 * 2/2008 Ono H04R 9/06
 381/386
 7,530,425 B2 * 5/2009 Whitaker H04R 1/025
 181/148
 D674,378 S * 1/2013 Ishinabe D14/224
 D712,879 S * 9/2014 Naito D14/221
 8,867,777 B2 * 10/2014 Tracy H04R 1/025
 381/395
 D781,818 S * 3/2017 Pera D14/172
 D804,454 S * 12/2017 Katsuno D14/222
 D839,235 S * 1/2019 Kitamura D14/204
 D840,375 S * 2/2019 Sakata D14/216
 2002/0150271 A1 * 10/2002 Sugiyama H04R 1/06
 381/386
 2004/0005073 A1 * 1/2004 Liu H04R 1/026
 381/395
 2006/0188123 A1 * 8/2006 Sasaki H04R 1/021
 381/386
 2013/0287246 A1 * 10/2013 Sasaki H04R 1/06
 381/412

* cited by examiner

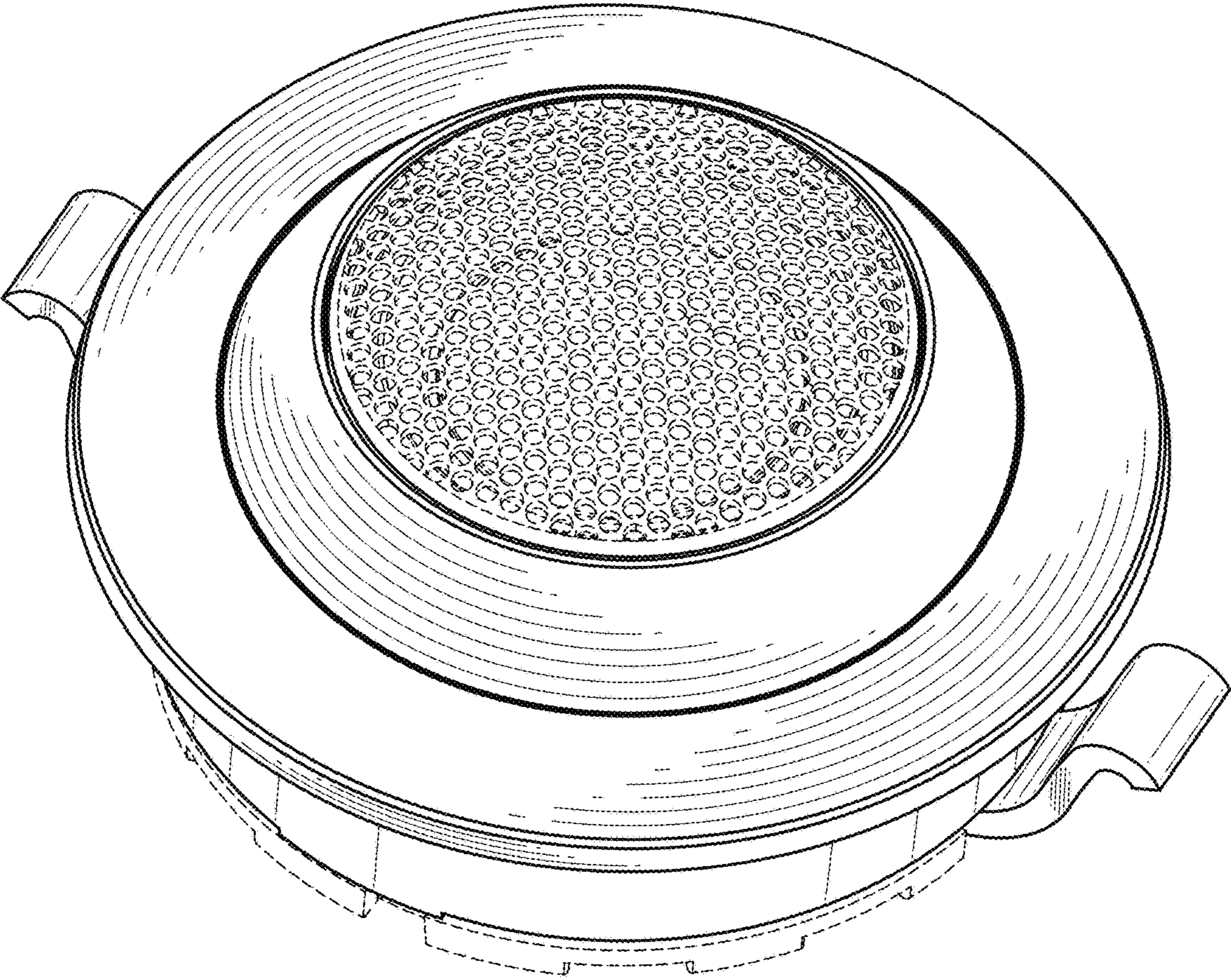


FIG. 1

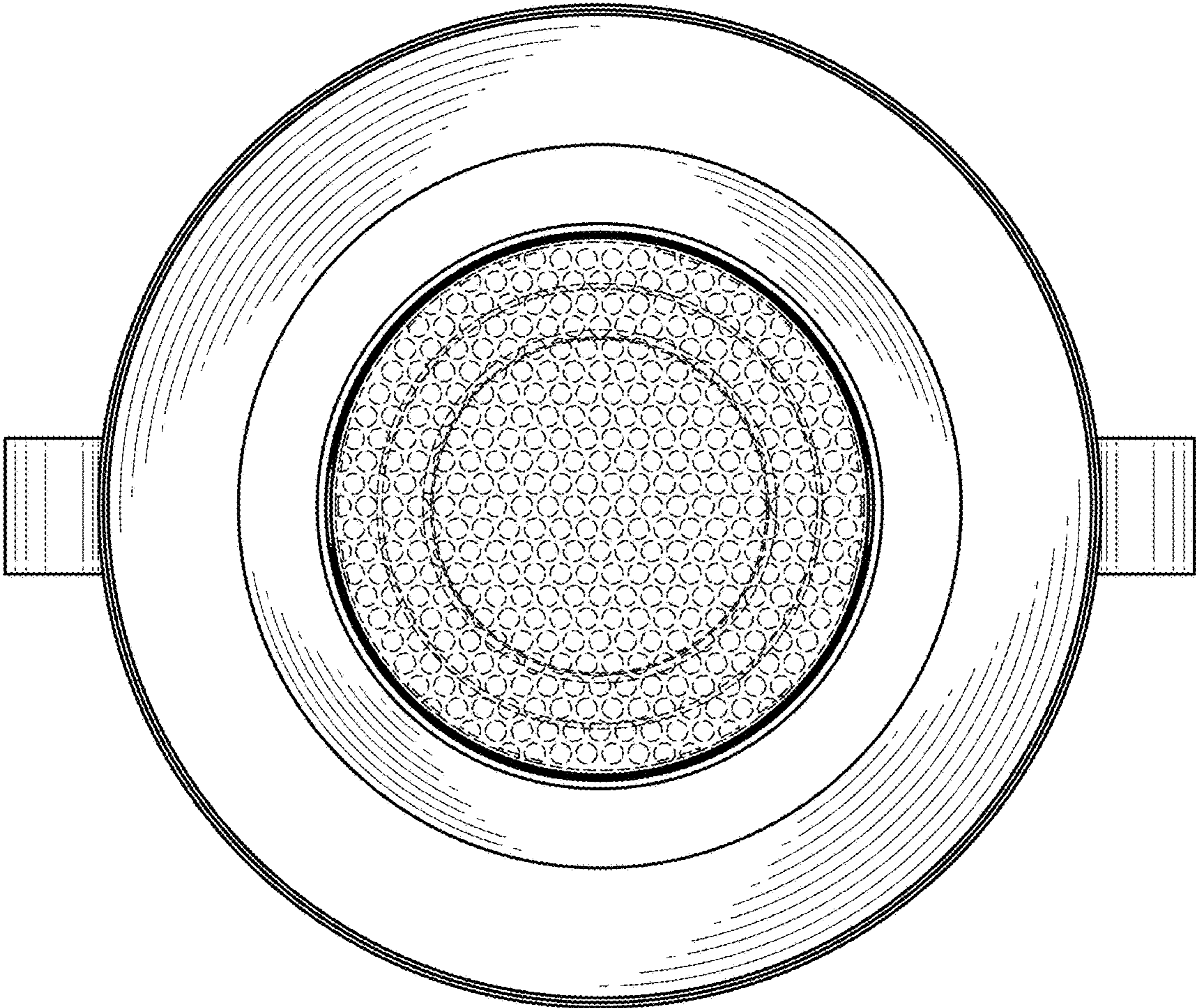


FIG. 2

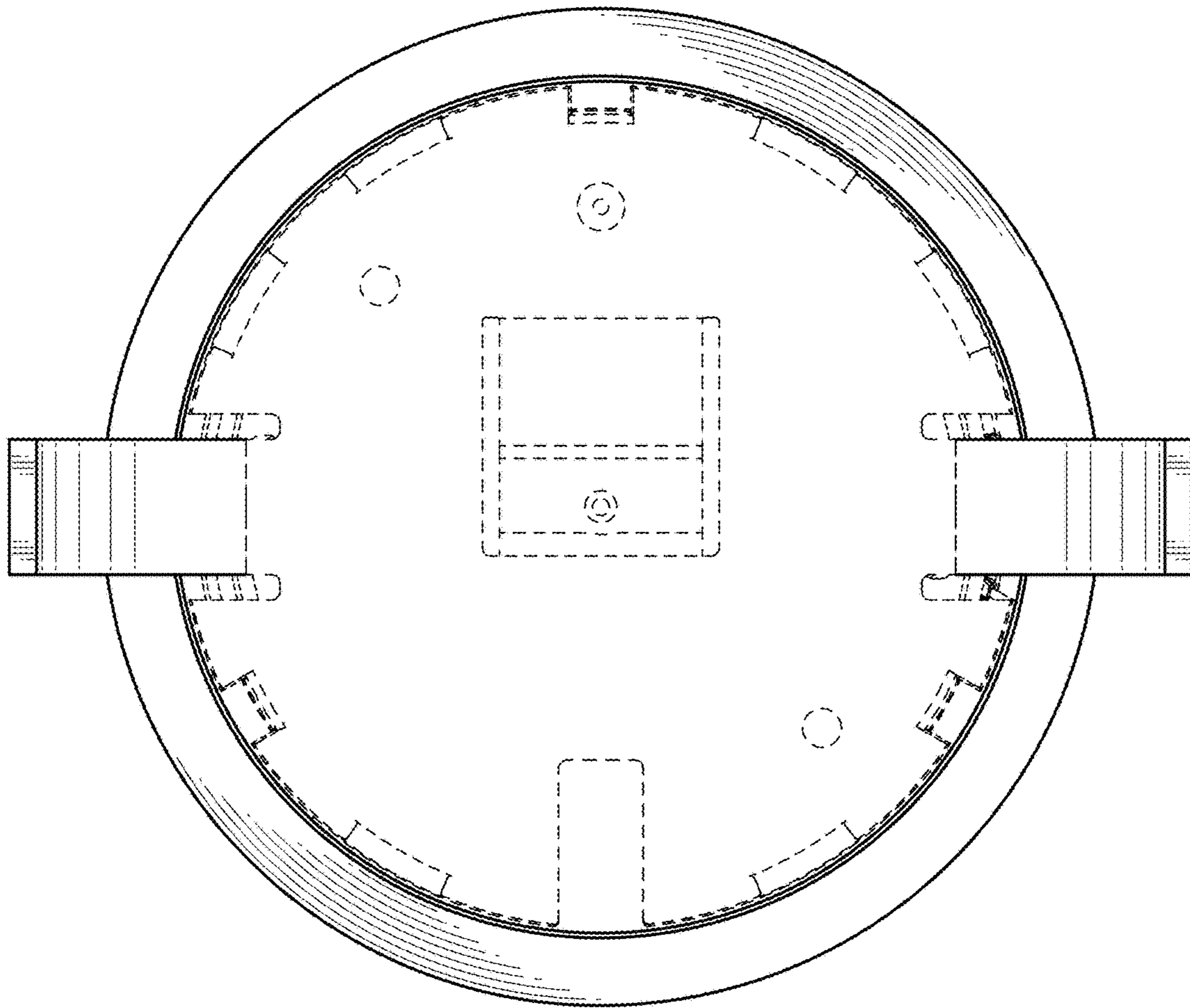


FIG. 3

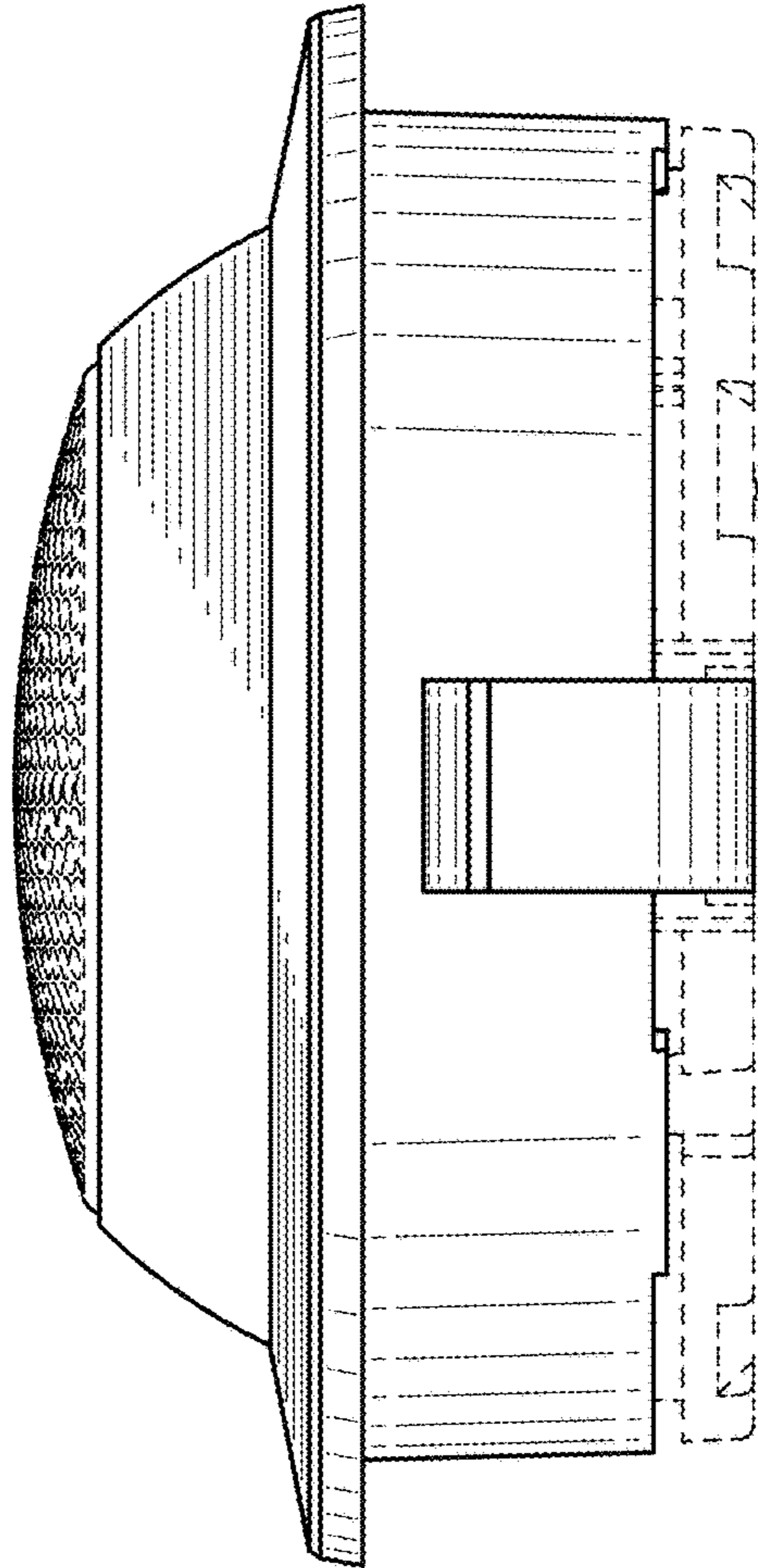


FIG. 4

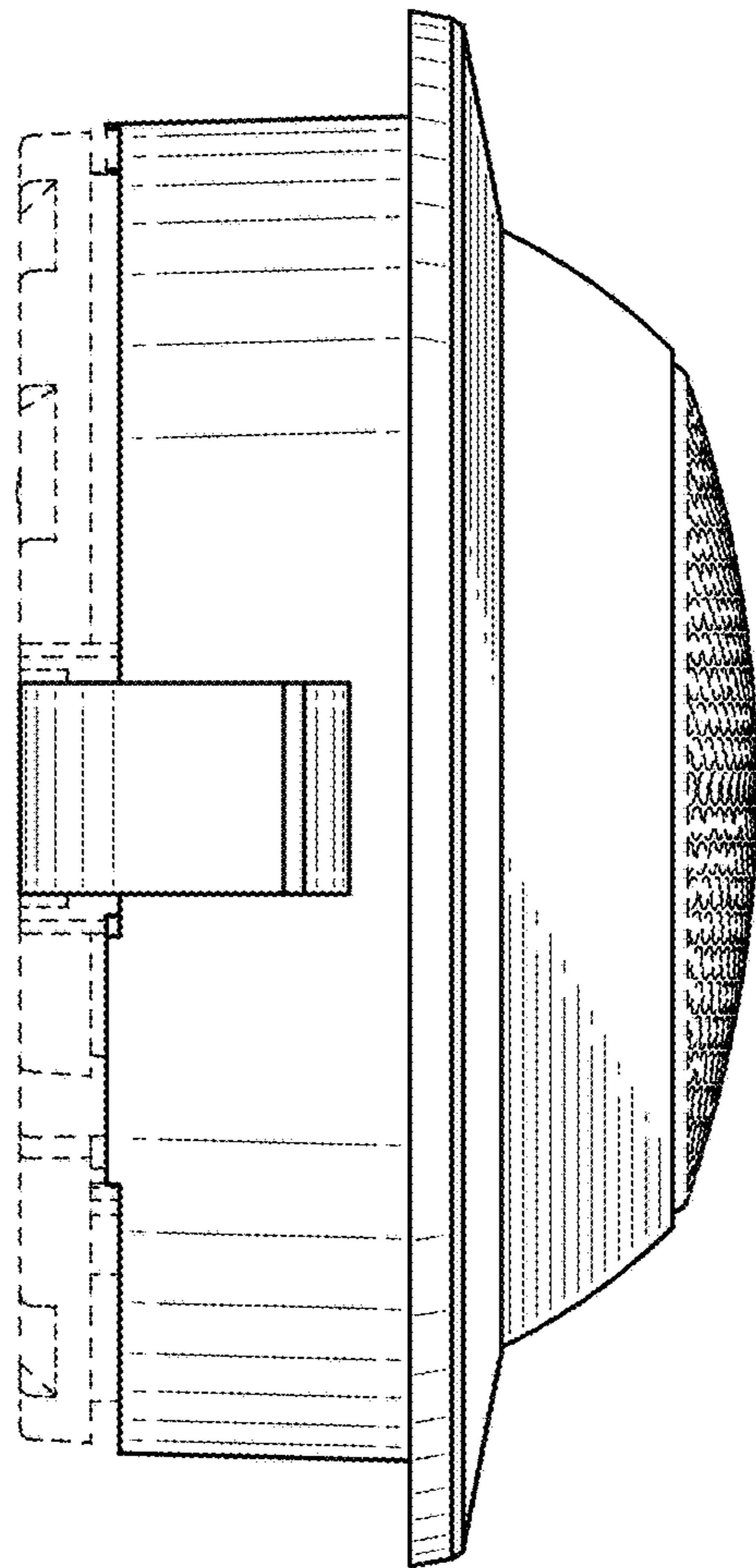


FIG. 5

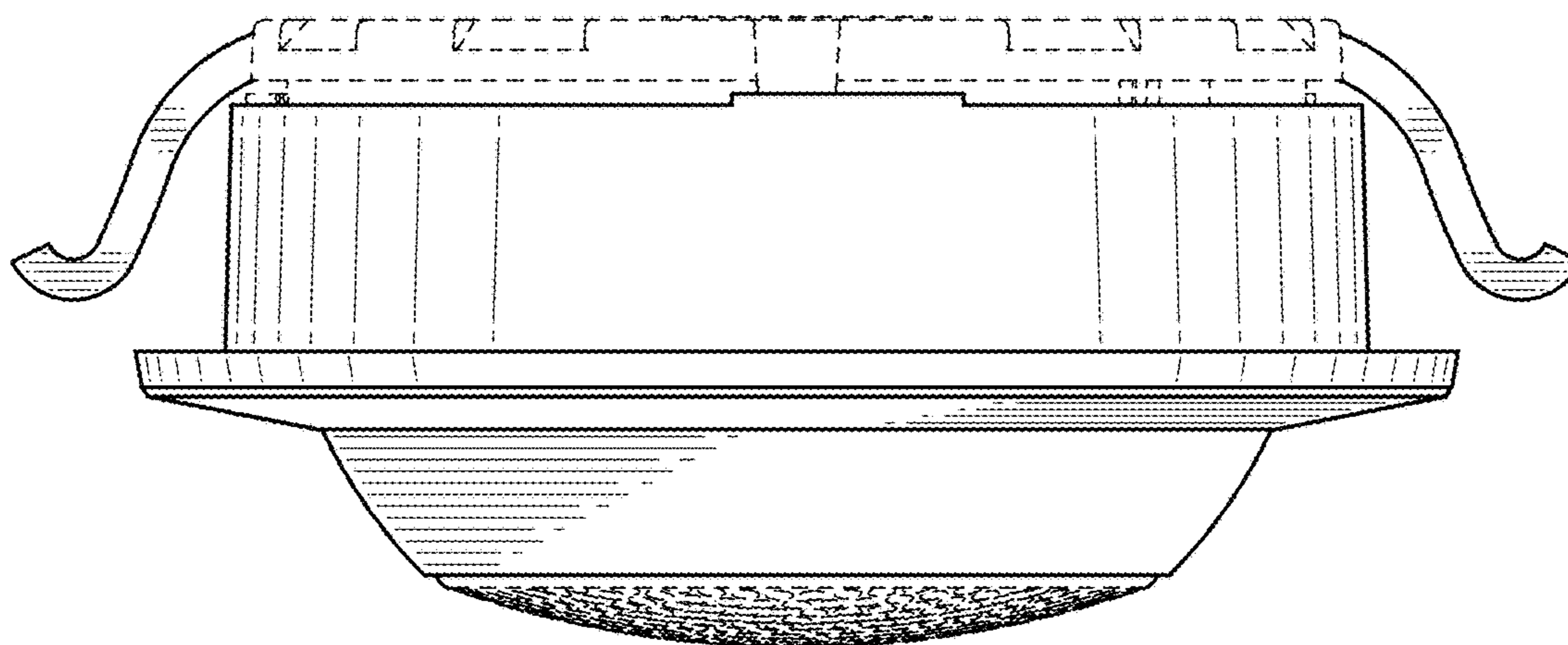


FIG. 6

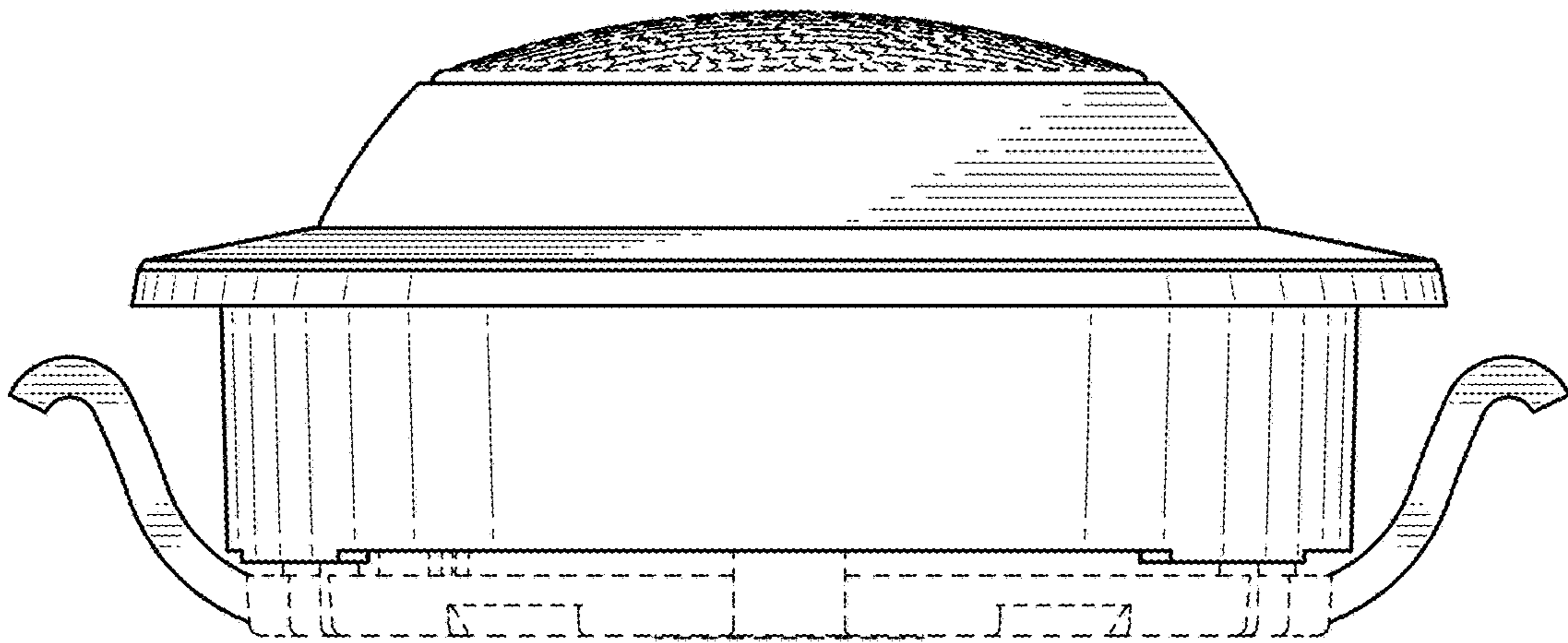


FIG. 7