



US00D866516S

(12) **United States Design Patent**
Demin

(10) **Patent No.:** **US D866,516 S**
(45) **Date of Patent:** **** Nov. 12, 2019**

(54) **LOUDSPEAKER**

FOREIGN PATENT DOCUMENTS

(71) Applicant: **Harman International Industries, Incorporated**, Northridge, CA (US)

CN ZL201630571033.1 3/2017
EM 002177659-0002 2/2013

(72) Inventor: **Alexander Demin**, Shenzhen (CN)

OTHER PUBLICATIONS

(73) Assignee: **Harman International Industries, Incorporated**, Northridge, CA (US)

Design U.S. Appl. No. 29/615,819, filed Aug. 31, 2017.
Office Action dated Sep. 6, 2018 in Design U.S. Appl. No. 29/615,819.

(**) Term: **15 Years**

Primary Examiner — Keli L Hill

(21) Appl. No.: **29/615,811**

(74) *Attorney, Agent, or Firm* — Plumsea Law Group, LLC

(22) Filed: **Aug. 31, 2017**

(57) **CLAIM**

(51) **LOC (12) Cl.** **14-01**

The ornamental design for a loudspeaker, as shown and described.

(52) **U.S. Cl.**

USPC **D14/216**

(58) **Field of Classification Search**

DESCRIPTION

USPC D14/167, 168, 170–172, 188, 194–196,
D14/204, 209.1, 210–216, 219, 221, 222,
D14/224, 239, 496

CPC B60R 11/0217; G06F 1/1688; G10K 9/22;
G10K 11/004; H03F 1/327; H04M 1/03;
H04M 1/035; H04N 5/642; H04N
21/4852; H04R 1/02; H04R 1/06; H04R
1/021; H04R 1/025; H04R 1/026; H04R
1/028; H04R 1/105; H04R 1/323; H04R
1/403; H04R 1/2803; H04R 1/2834;
H04R 5/02; H04R 7/20; H04R 9/06;
H04R 9/025; H04R 2201/021; H04R
2400/00; H04R 2400/07; H04R 2499/11;
H04R 2499/13; H04R 2499/15; H04S
3/00; H04S 7/30

See application file for complete search history.

FIG. 1 is a perspective view of a loudspeaker showing the new design;
FIG. 2 is a front elevational view thereof;
FIG. 3 is a rear elevational view thereof;
FIG. 4 is a side elevational view thereof;
FIG. 5 is an opposite side elevational view thereof;
FIG. 6 is a top view thereof;
FIG. 7 is a bottom view thereof;
FIG. 8 is a perspective view of a loudspeaker showing another embodiment of the new design;
FIG. 9 is a front elevational view thereof;
FIG. 10 is a rear elevational view thereof;
FIG. 11 is a side elevational view thereof;
FIG. 12 is an opposite side elevational view thereof;
FIG. 13 is a top view thereof; and,
FIG. 14 is a bottom view thereof.

(56) **References Cited**

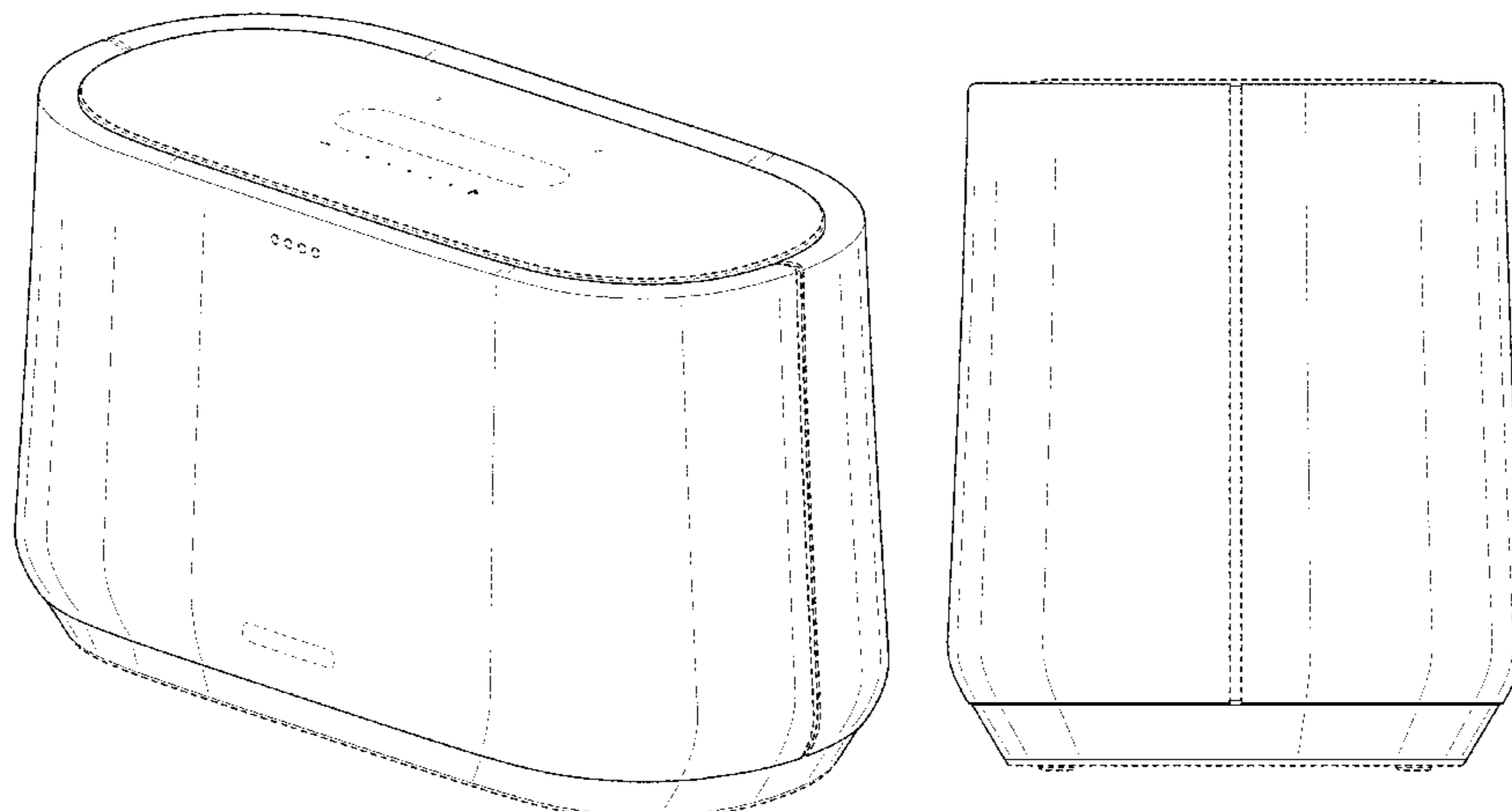
U.S. PATENT DOCUMENTS

D563,386 S * 3/2008 Foster D14/214
D571,356 S 6/2008 Smith

(Continued)

The broken lines immediately adjacent the shaded areas represent the bounds of the claimed design while all other broken lines are included for the purpose of illustrating portions of the loudspeaker; the broken lines form no part of the claimed design. The line shading on the loudspeaker is

(Continued)



intended to depict surface contours, and does not connote the character of the surfaces such as any specific material, surface treatment, or texture.

1 Claim, 14 Drawing Sheets

(56) **References Cited**

U.S. PATENT DOCUMENTS

D640,231 S	6/2011	Joseph	
D691,587 S	10/2013	Ferber et al.	
D692,413 S	10/2013	Holzer	
D693,329 S *	11/2013	Lee	D14/210
D695,713 S	12/2013	Szymanski	
D725,077 S	3/2015	Wong	
D726,143 S *	4/2015	Cheng	D14/197
D729,772 S	5/2015	Ferber et al.	
D739,845 S *	9/2015	Hwang	D14/214
D809,482 S	2/2018	Fischer et al.	
D809,483 S	2/2018	Fischer et al.	
D845,277 S *	4/2019	Yoon	D14/216
D848,394 S *	5/2019	Demin	D14/204
D848,976 S *	5/2019	Yoon	D14/216
D851,058 S *	6/2019	Pupecki	D14/204

* cited by examiner

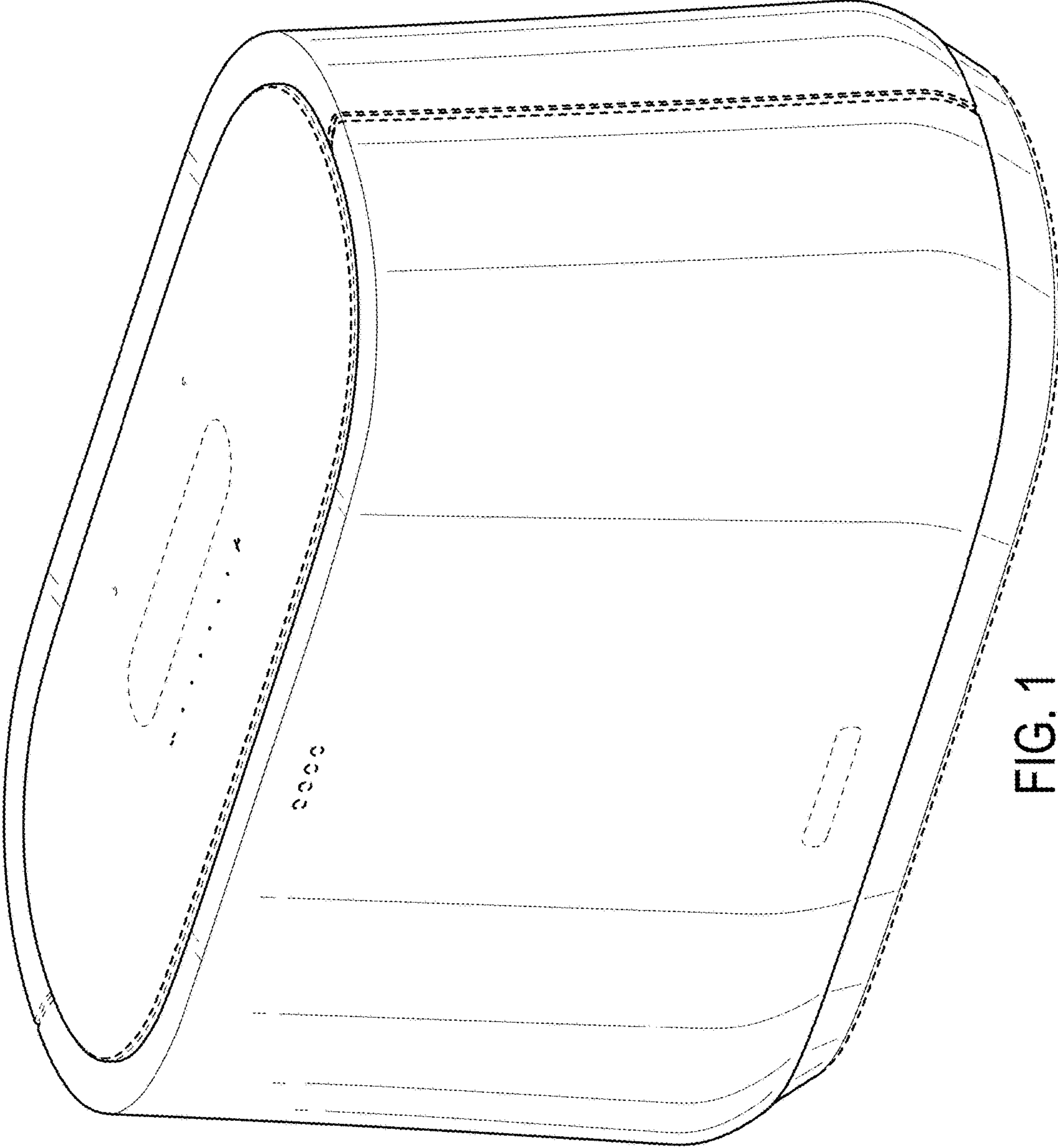


FIG. 1

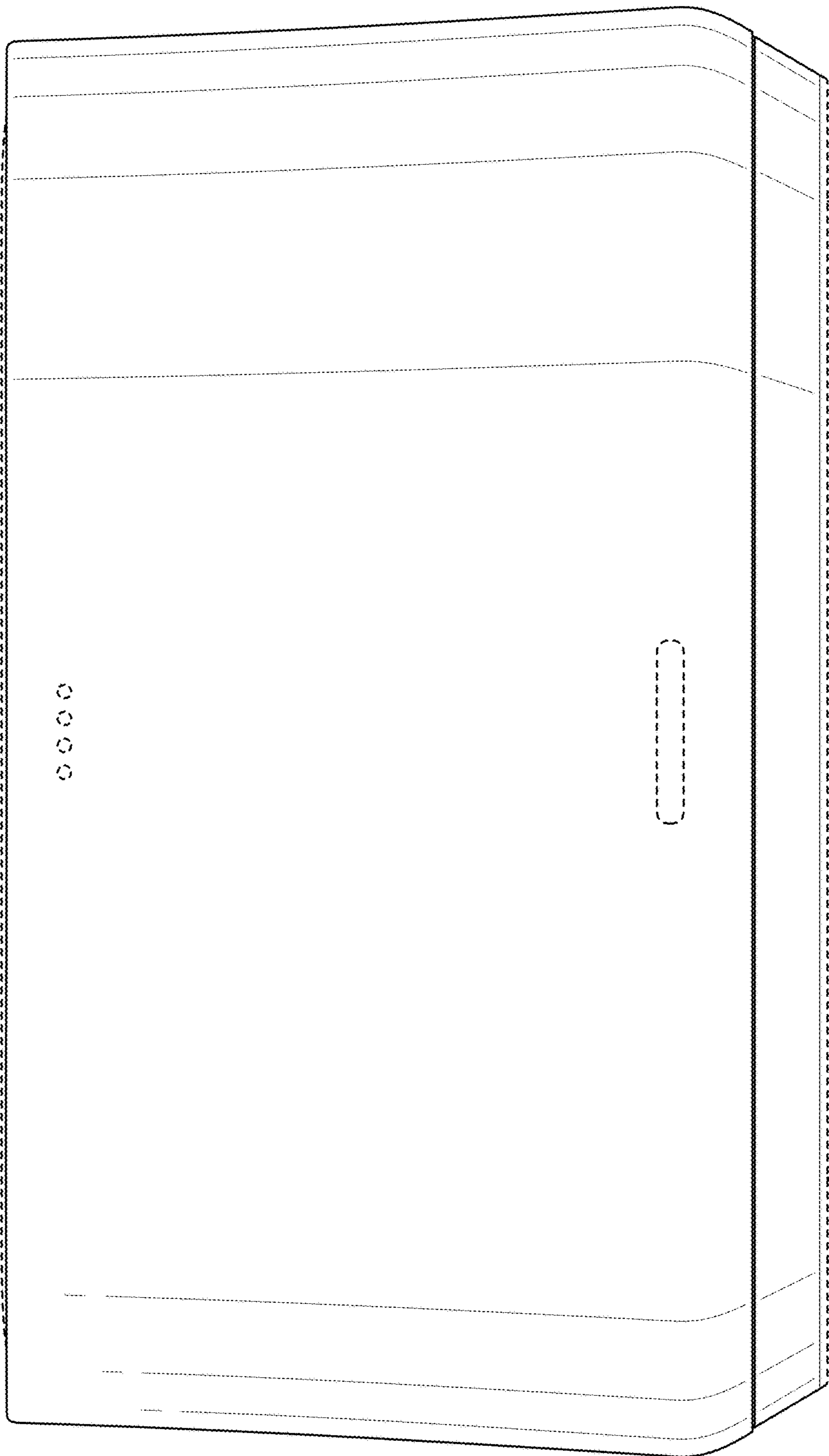


FIG. 2

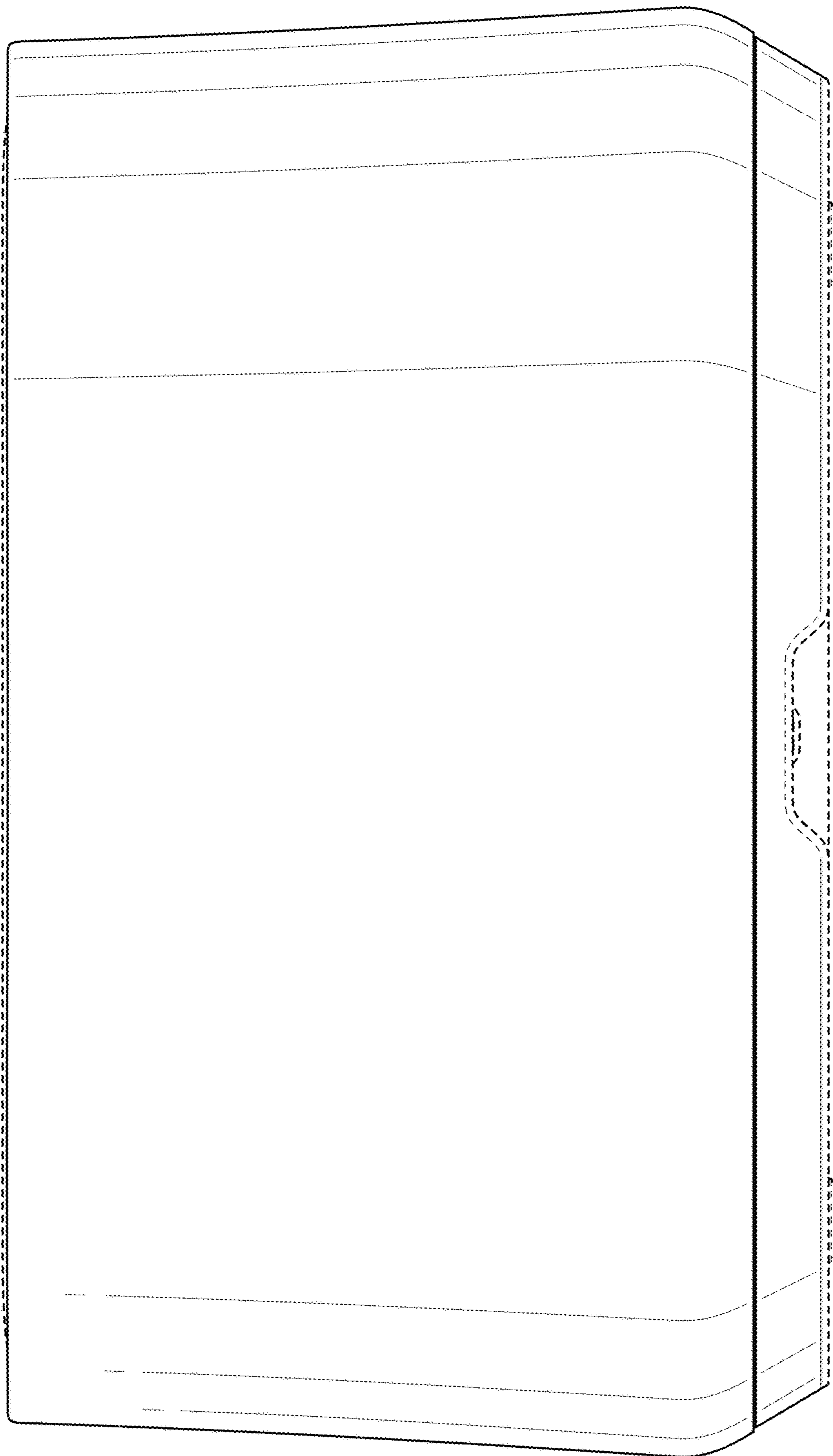


FIG. 3

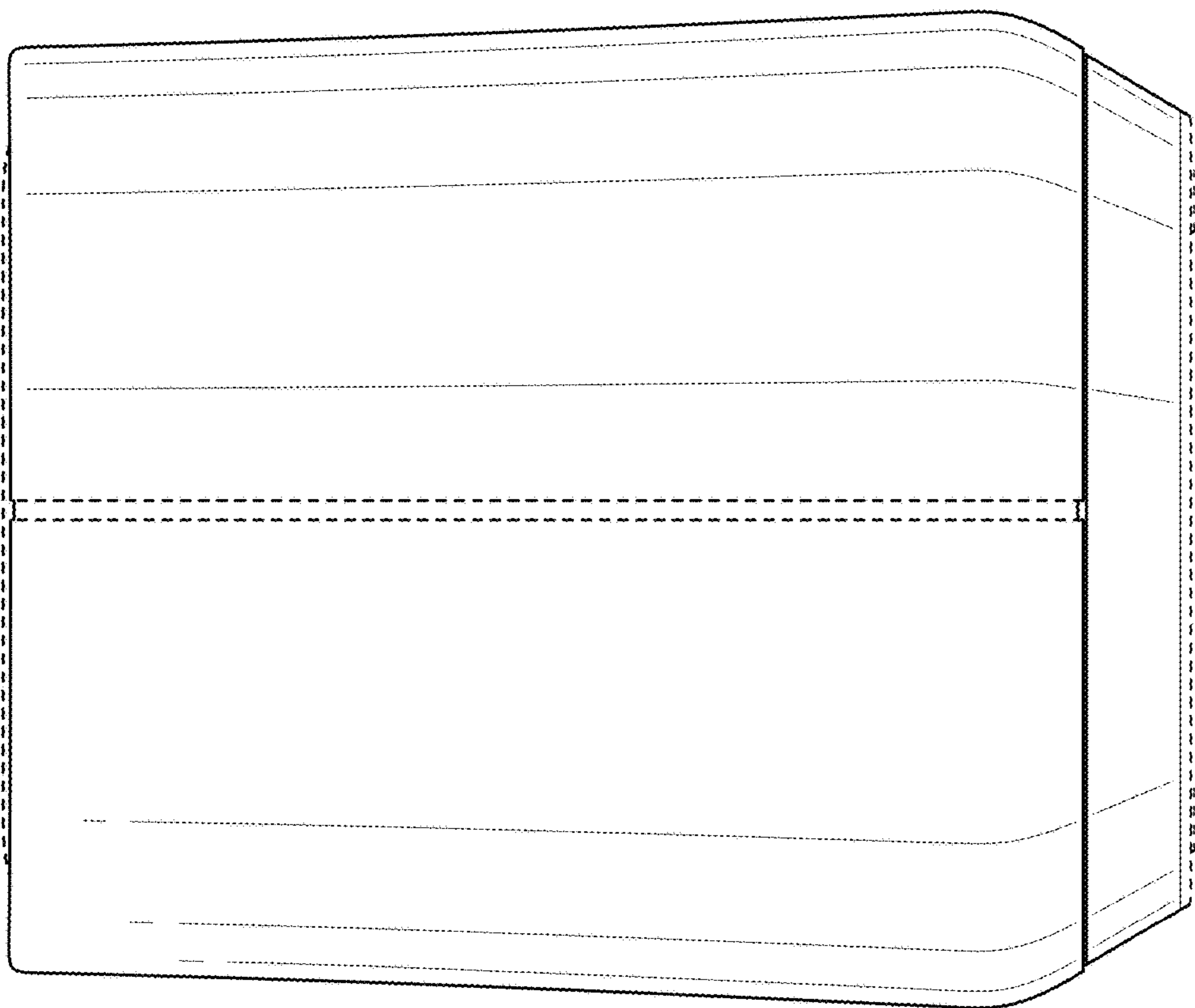


FIG. 4

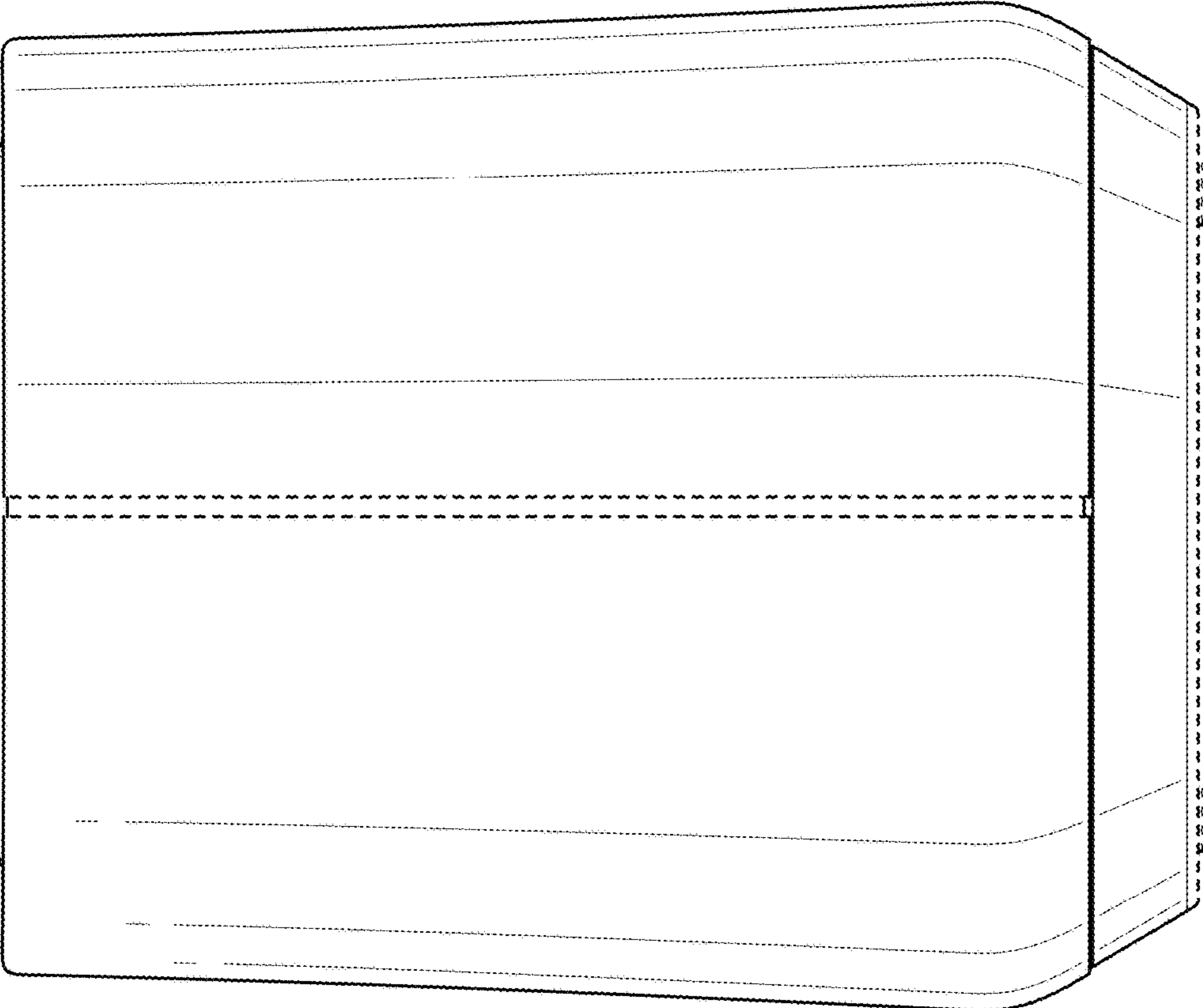


FIG. 5

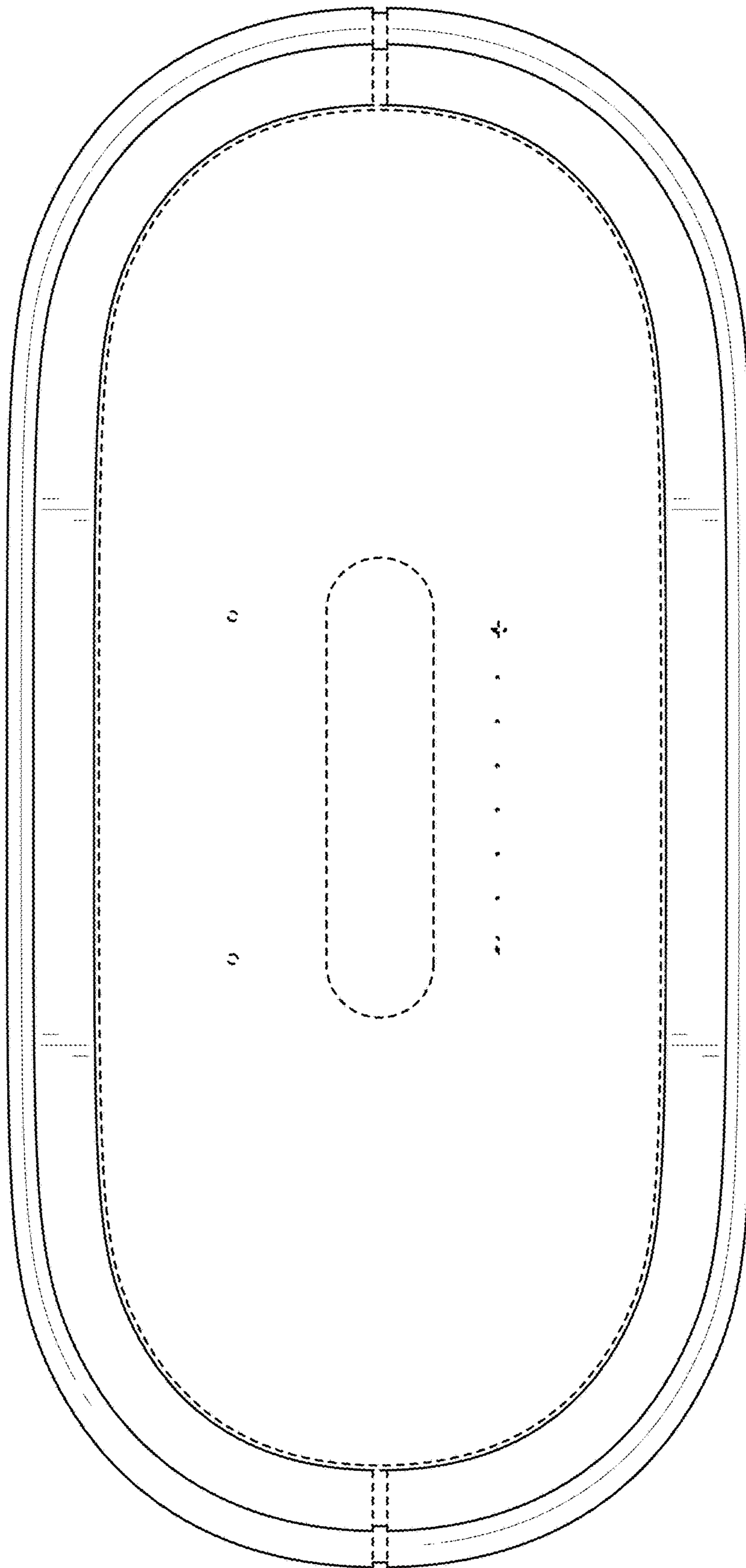


FIG. 6

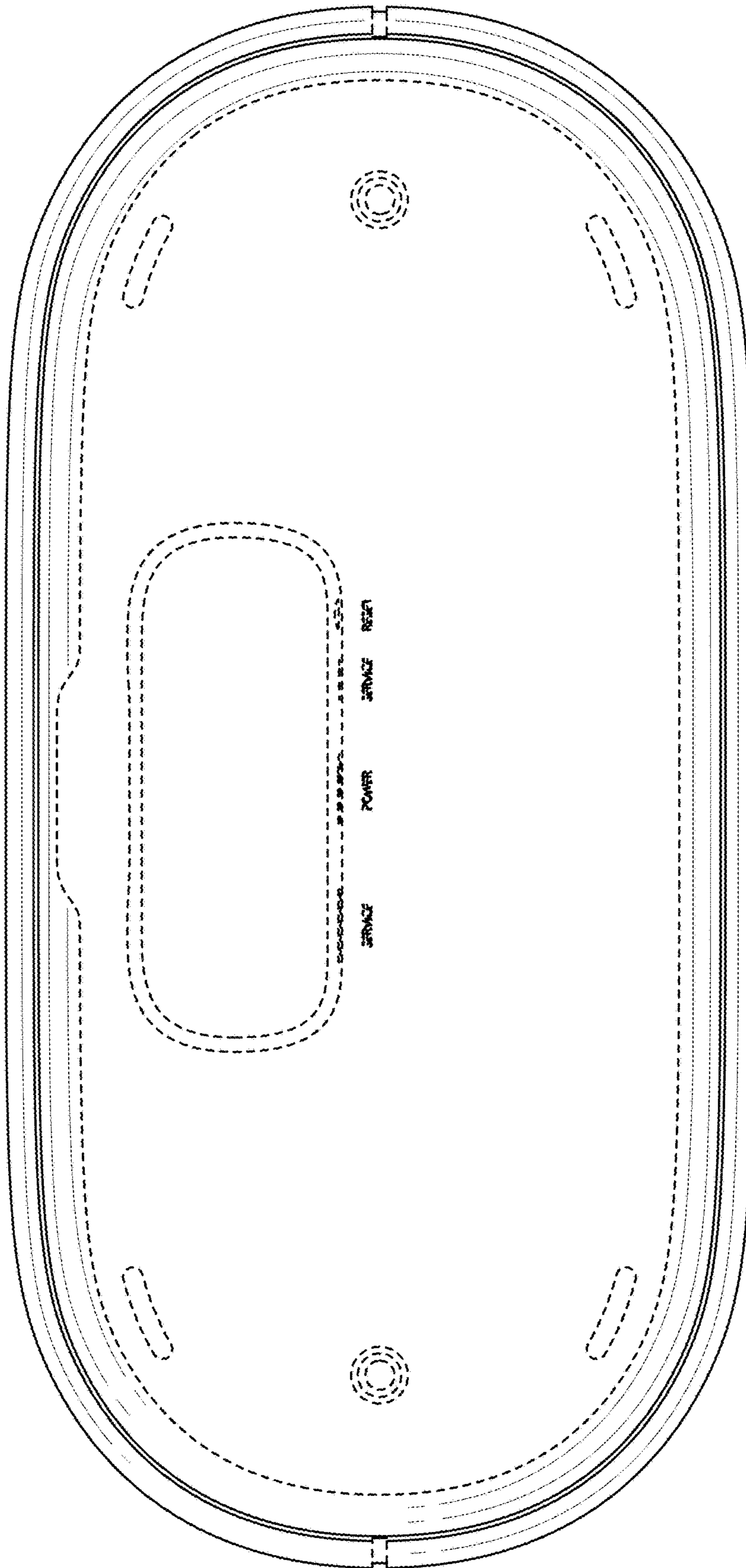


FIG. 7

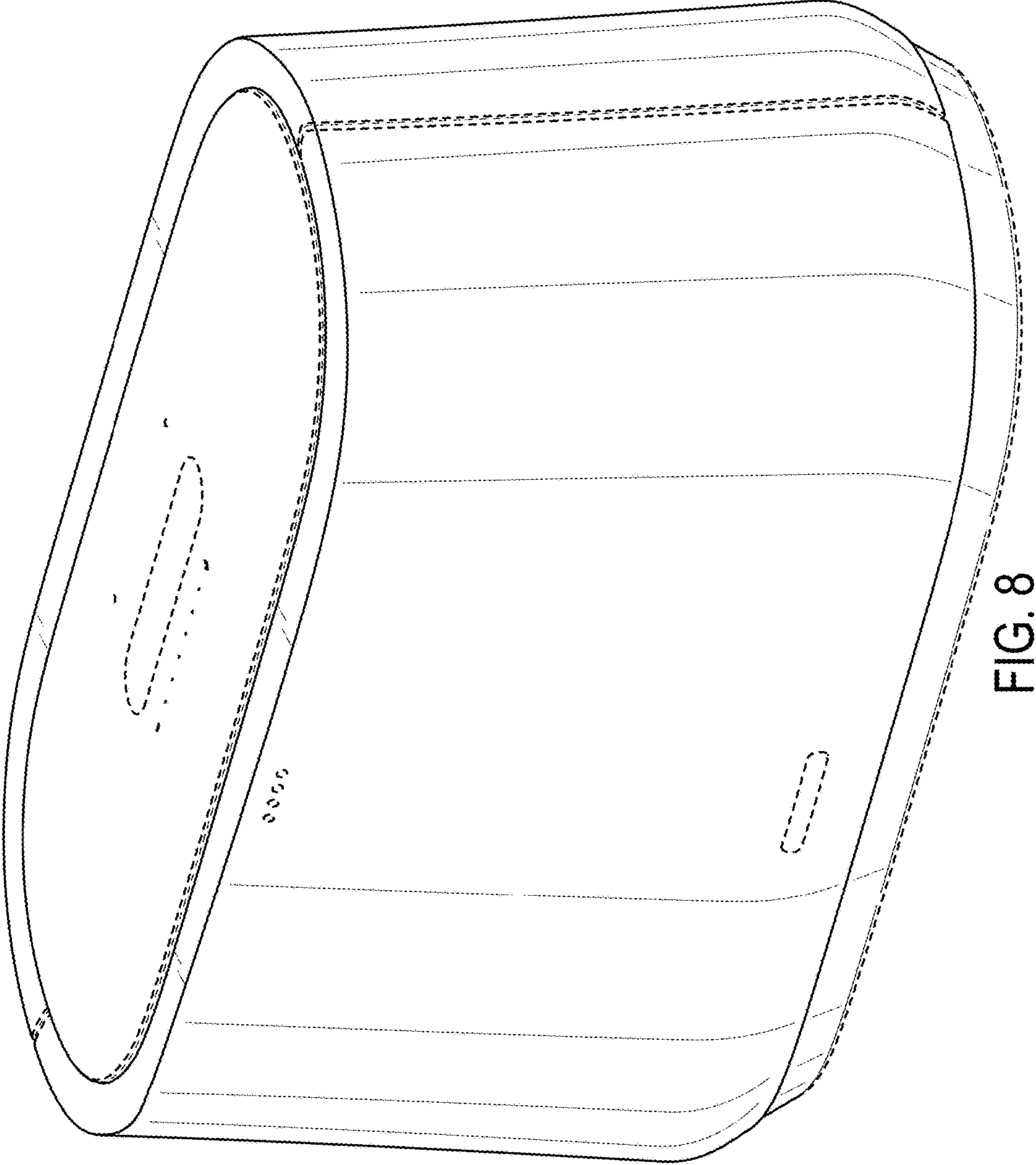


FIG. 8

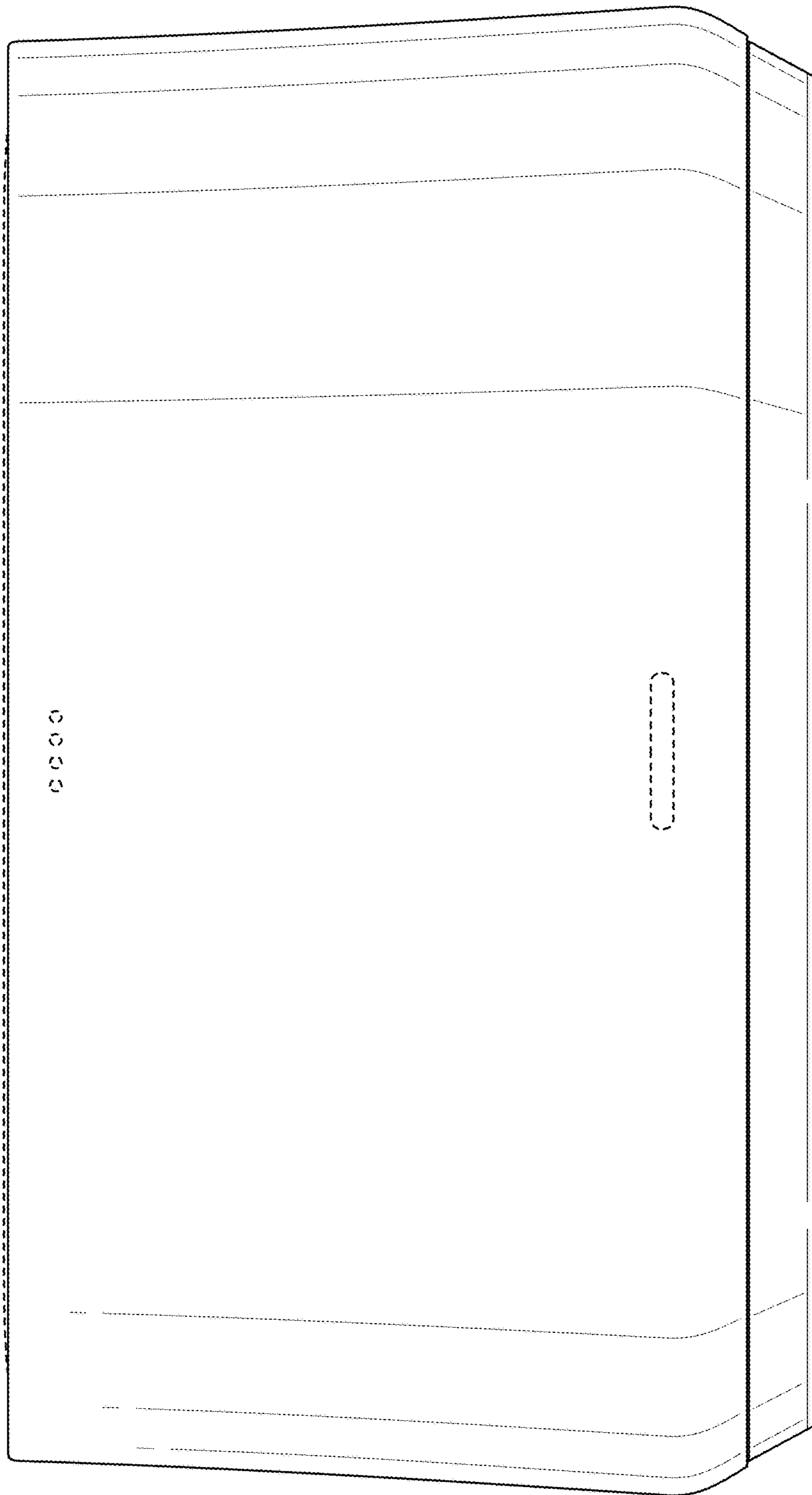


FIG. 9

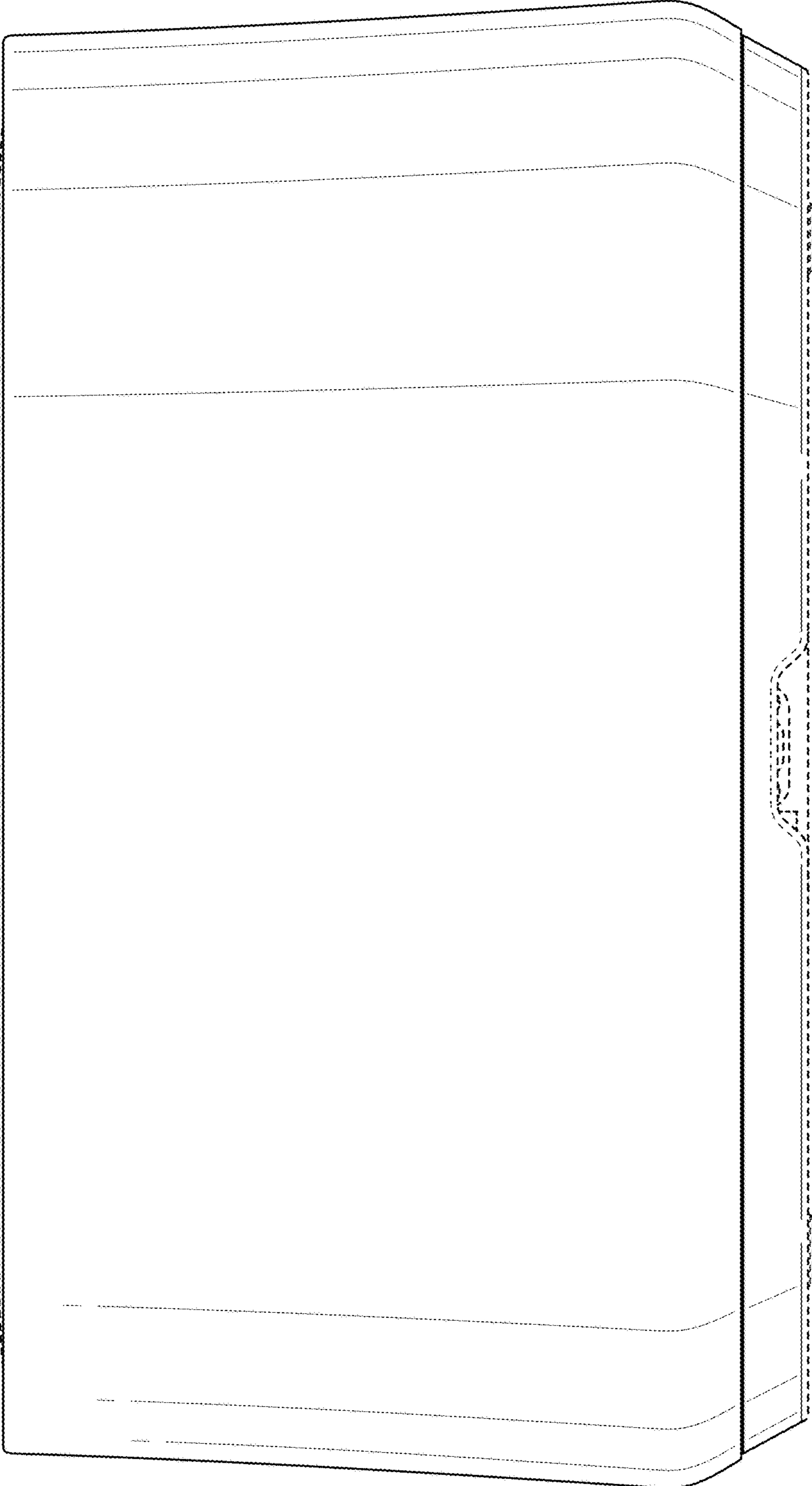


FIG. 10

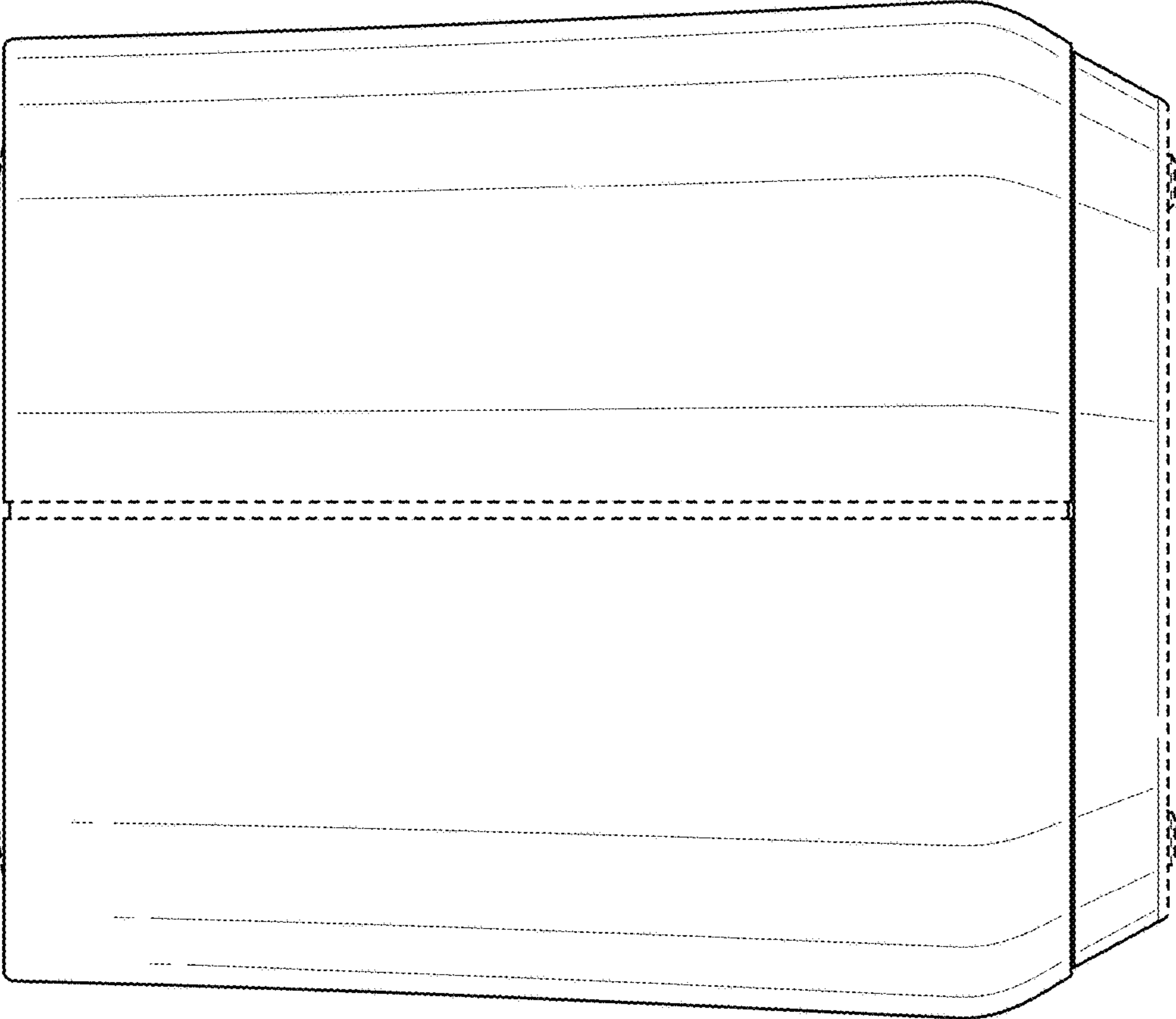


FIG. 11

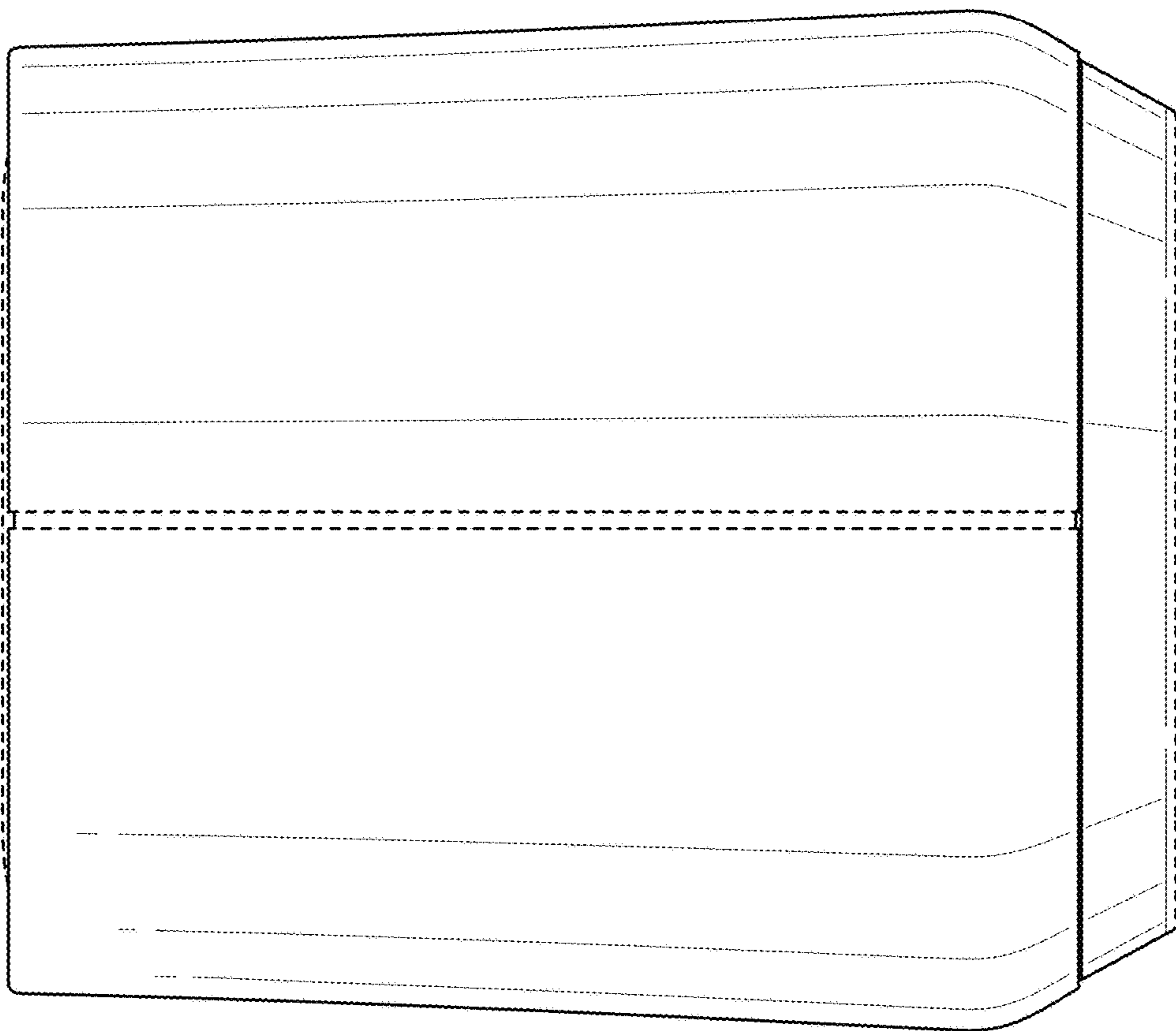


FIG. 12

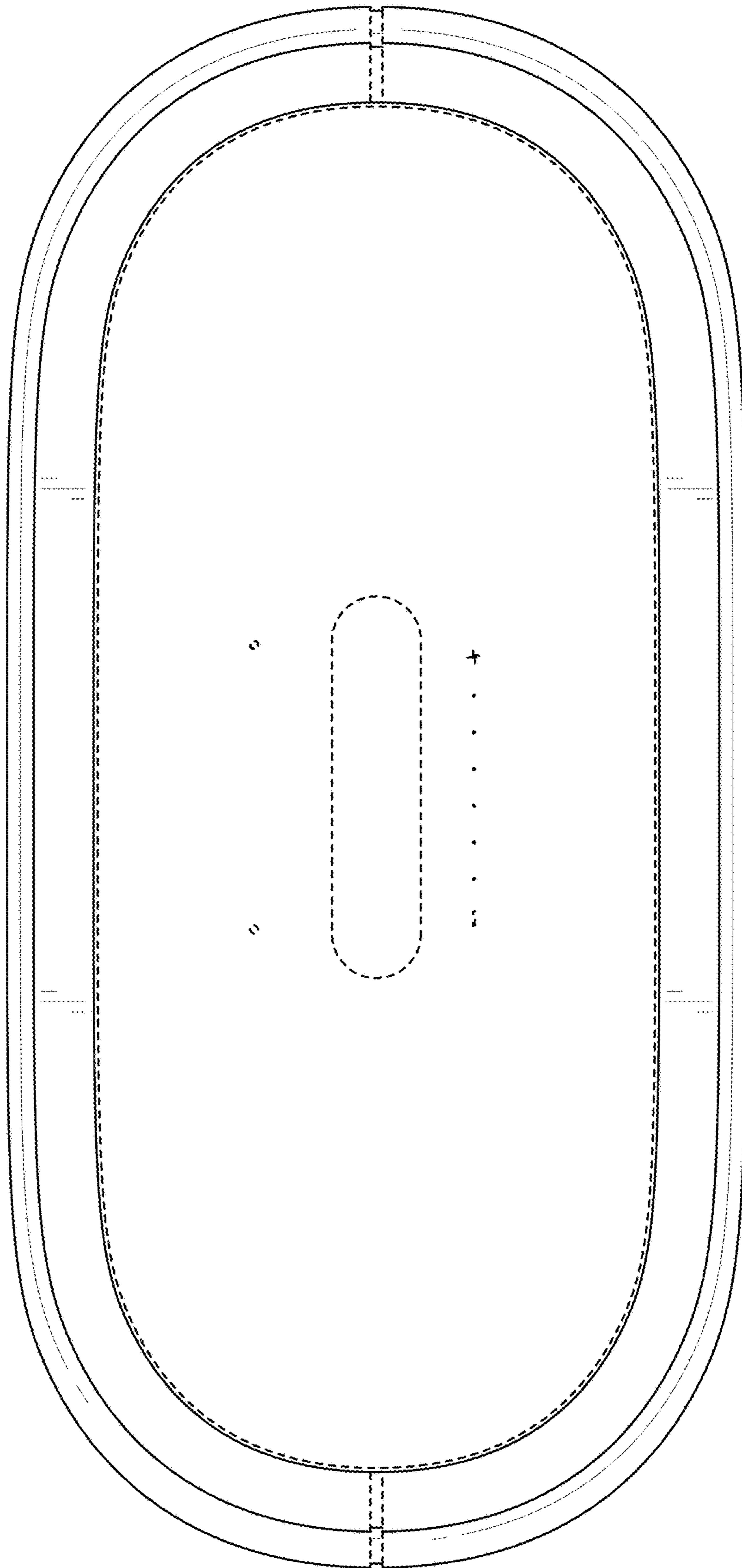


FIG. 13

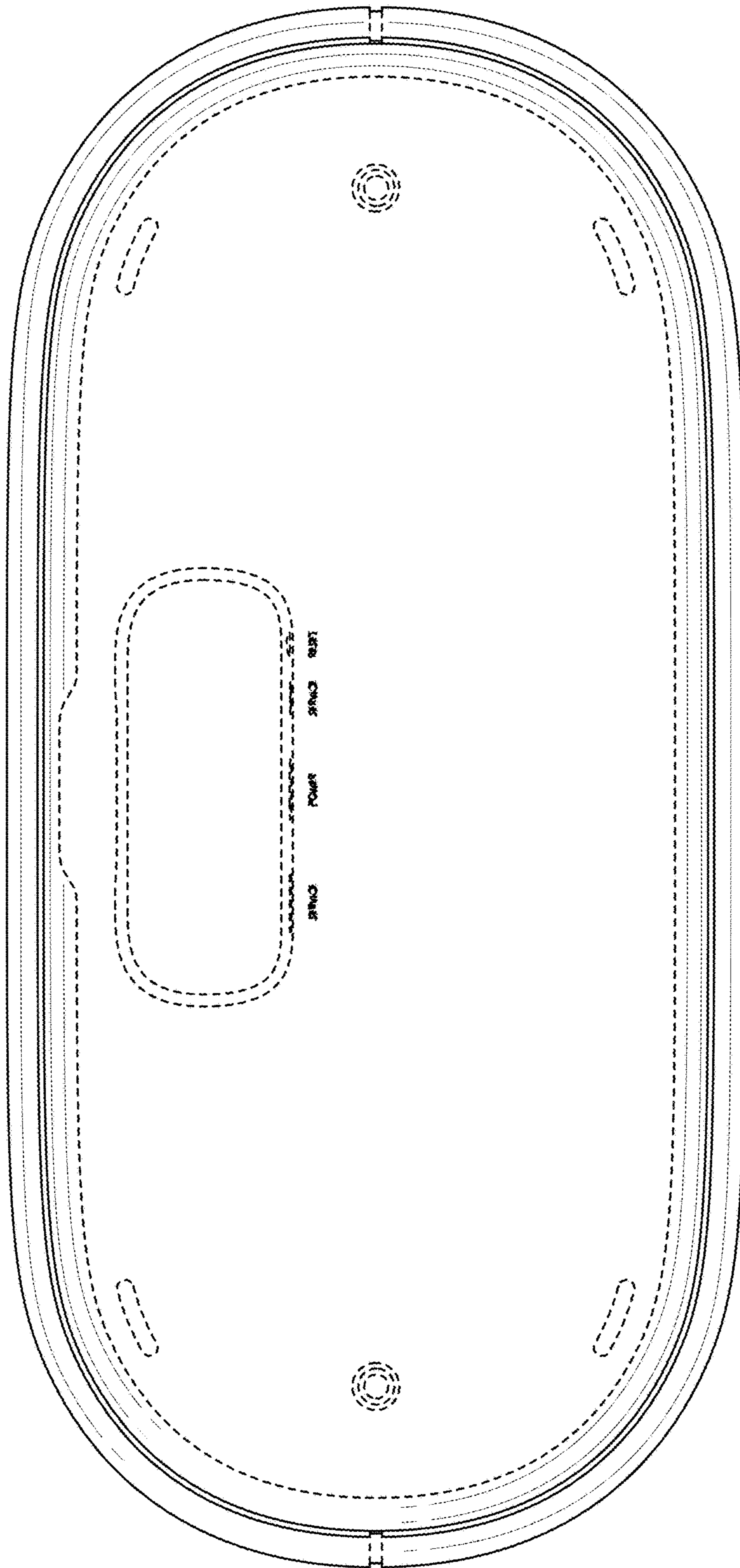


FIG. 14