



US00D866514S

(12) **United States Design Patent** (10) **Patent No.:** **US D866,514 S**
Lindof (45) **Date of Patent:** **** *Nov. 12, 2019**

(54) **HEADSET**
(71) Applicant: **RTX A/S**, Nørresundby (DK)
(72) Inventor: **Jens Christian Lindof**, Nørresundby (DK)
(73) Assignee: **RTX A/S**, Nørresundby (DK)
(*) Notice: This patent is subject to a terminal disclaimer.
(**) Term: **15 Years**

3,211,160 A * 10/1965 Miller A45D 8/00
132/275
3,311,713 A * 3/1967 Knuebel H04M 1/05
379/430
3,815,155 A * 6/1974 Davison A42B 3/166
2/209
D270,634 S 9/1983 Ungar
4,420,657 A 12/1983 Larkin
4,597,469 A 7/1986 Nagashima
D286,874 S 11/1986 Bertagna et al.
4,689,822 A 8/1987 Houng
D300,133 S 3/1989 Daidoh et al.
4,875,233 A 10/1989 Derhaag et al.
(Continued)

(21) Appl. No.: **29/627,275**
(22) Filed: **Nov. 24, 2017**

FOREIGN PATENT DOCUMENTS

EM 005200229-0002 * 6/2018
EP 004749026-0010 3/2018

(30) **Foreign Application Priority Data**

May 24, 2017 (EM) 004015972

(51) **LOC (12) Cl.** **14-01**

(52) **U.S. Cl.**
USPC **D14/206; D14/226**

(58) **Field of Classification Search**
USPC D14/206, 205, 188, 192, 225, 226;
D29/112, 122; 181/129, 130, 135;
379/430, 431; 381/380, 381, 374;
455/90.3, 575.1, 569.1
CPC H04R 1/1066; H04R 1/1016; H04R 5/033;
H04R 5/0335; H04R 25/00; H04R 1/1091
See application file for complete search history.

OTHER PUBLICATIONS

Lamicall Headphone Stand, online, no post date, <URL: https://www.soundandvision.com/shop/>
(Continued)

Primary Examiner — Paula Allen Greene
(74) *Attorney, Agent, or Firm* — Merchant & Gould P.C.

(57) **CLAIM**

The ornamental design for a headset, as shown and described.

DESCRIPTION

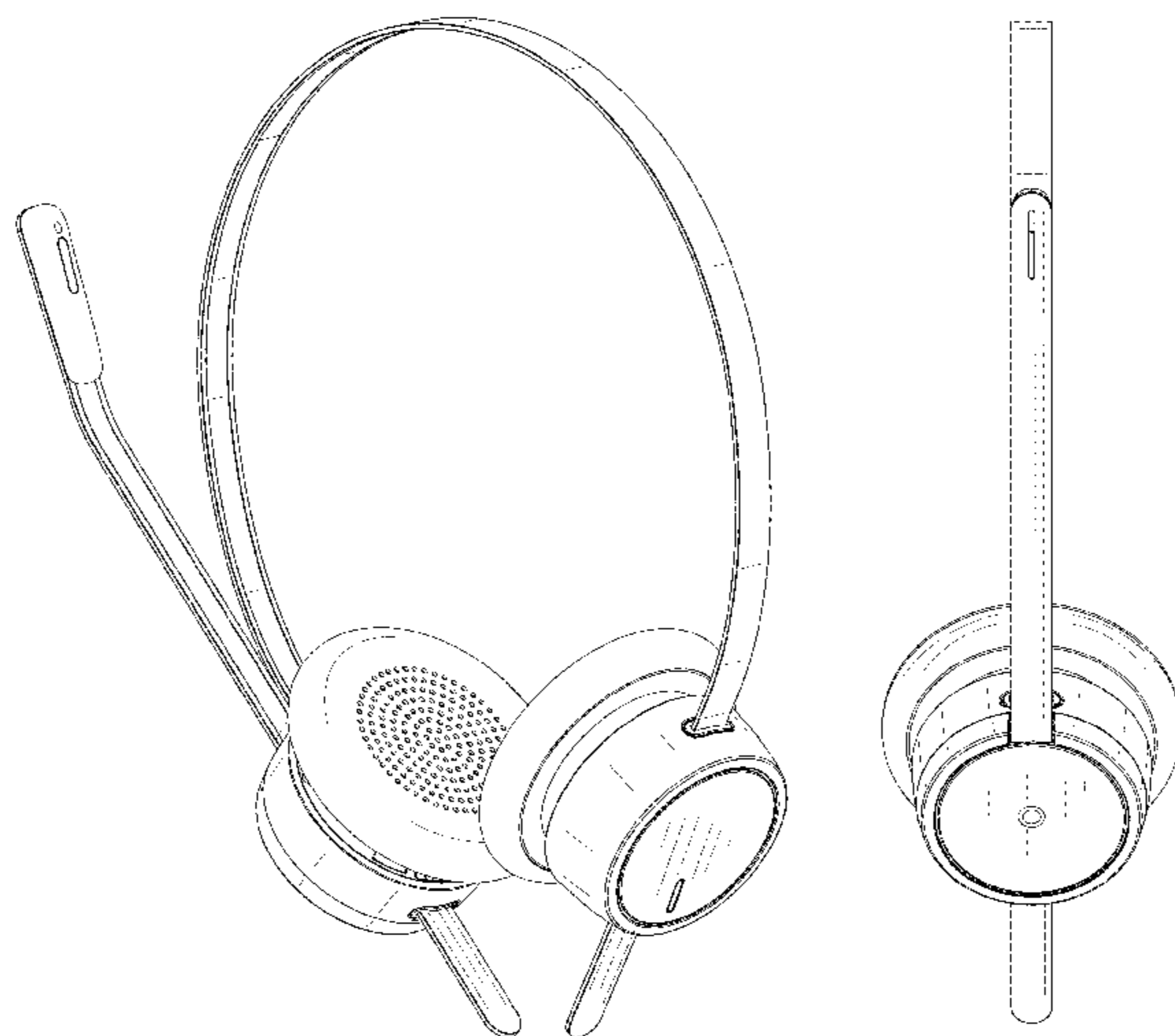
FIG. 1 is a perspective view of a headset showing my new design;
FIG. 2 is a front elevational view thereof;
FIG. 3 is a left side elevational view thereof;
FIG. 4 is a right side elevational view thereof;
FIG. 5 is a top plan view thereof;
FIG. 6 is a bottom plan view thereof; and,
FIG. 7 is a rear perspective view thereof.

(56) **References Cited**

U.S. PATENT DOCUMENTS

1,329,658 A 2/1920 Gernsback
1,988,880 A * 1/1935 Strouse A61F 11/14
128/866
2,025,398 A 12/1935 Pocock et al.
2,086,980 A 7/1937 Kirby
2,954,442 A 9/1960 Mickenberg
3,061,690 A 10/1962 Swinehart

1 Claim, 7 Drawing Sheets



(56)

References Cited

U.S. PATENT DOCUMENTS

2011/0135134 A1* 6/2011 Essabar H04R 1/1025
381/374
2011/0228925 A1* 9/2011 Birch H04M 1/05
379/428.02
2011/0306393 A1* 12/2011 Goldman H04M 1/6066
455/575.2
2012/0163616 A1* 6/2012 Birch H04M 1/6058
381/74
2015/0086058 A1 3/2015 Harms et al.
2016/0119702 A1 4/2016 Matsui et al.
2016/0198254 A1* 7/2016 Gecawicz H04R 1/083
381/375

OTHER PUBLICATIONS

Satechi Aluminum Headphone Stand and USB Hub Review, YouTube
online, post date Feb. 6, 2016, <URL: [https://www.youtube.com/
watch?v=bVosH0ADleg](https://www.youtube.com/watch?v=bVosH0ADleg)>, retrieved Apr. 11, 2019.

* cited by examiner



FIG. 1

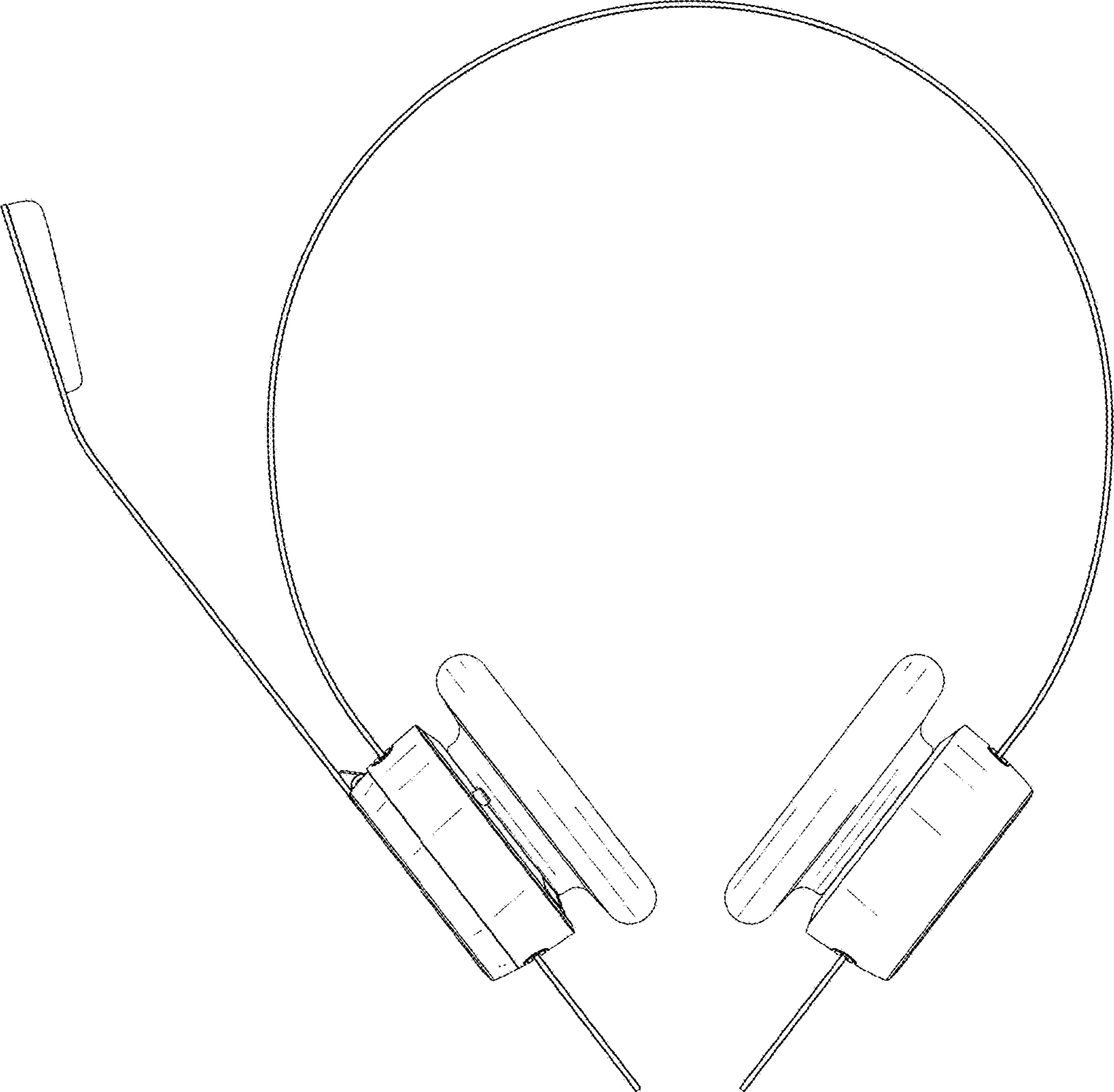


FIG. 2

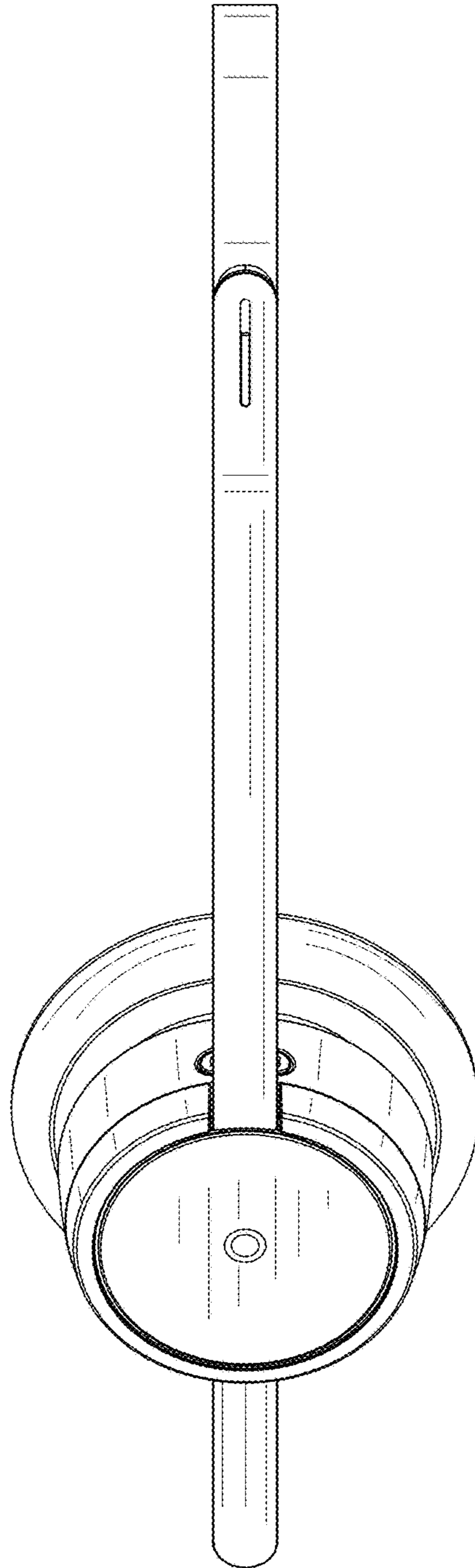


FIG. 3

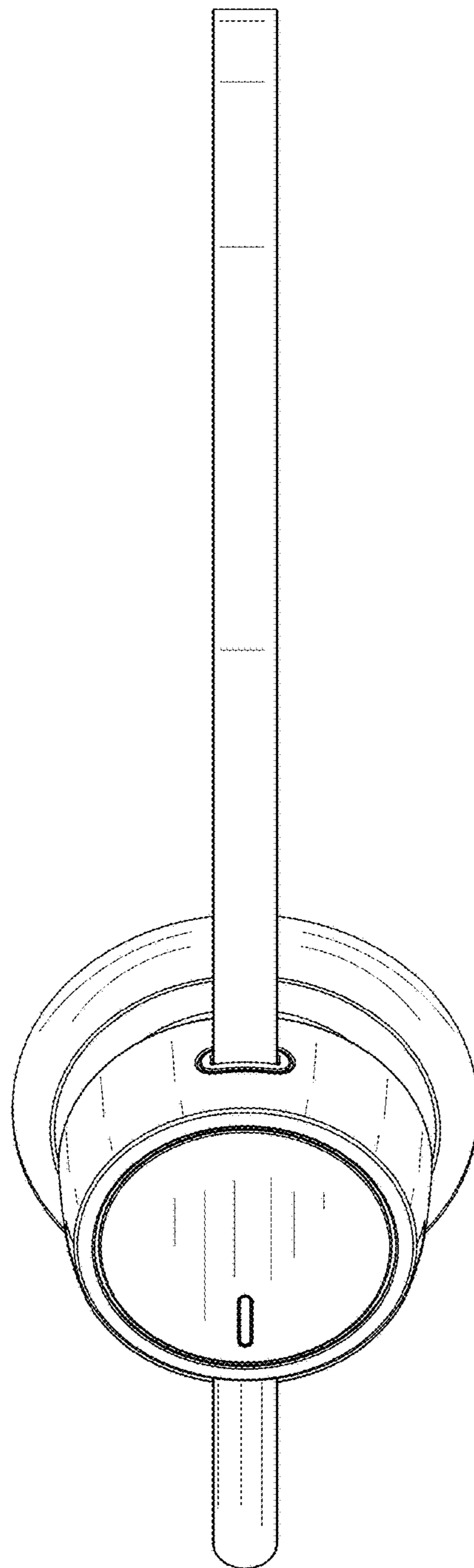


FIG. 4

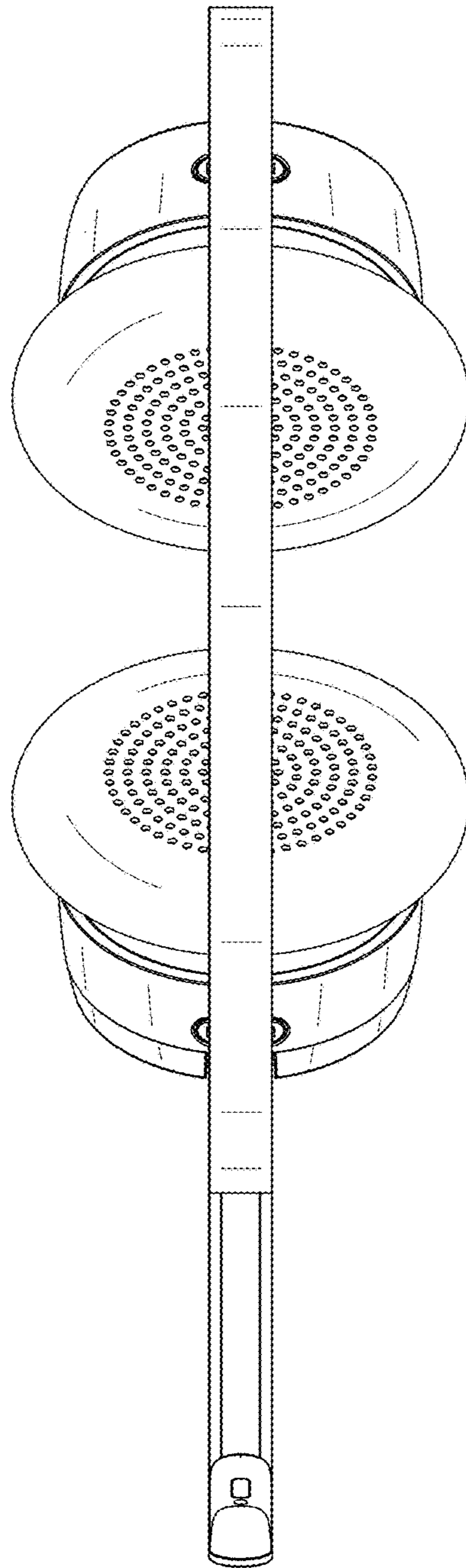


FIG. 5

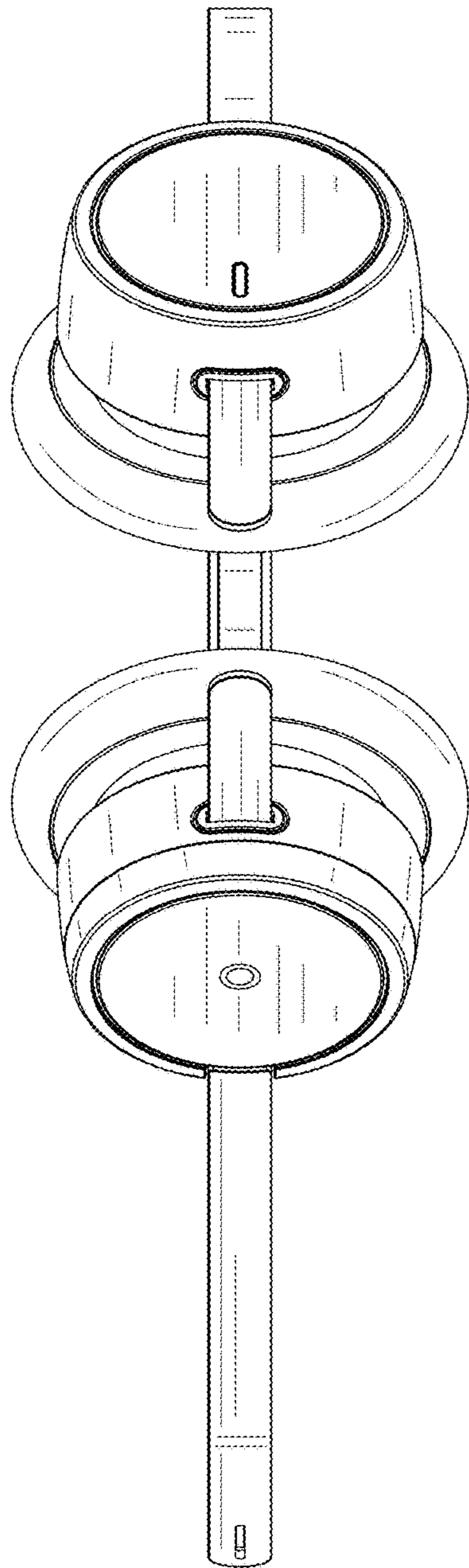


FIG. 6

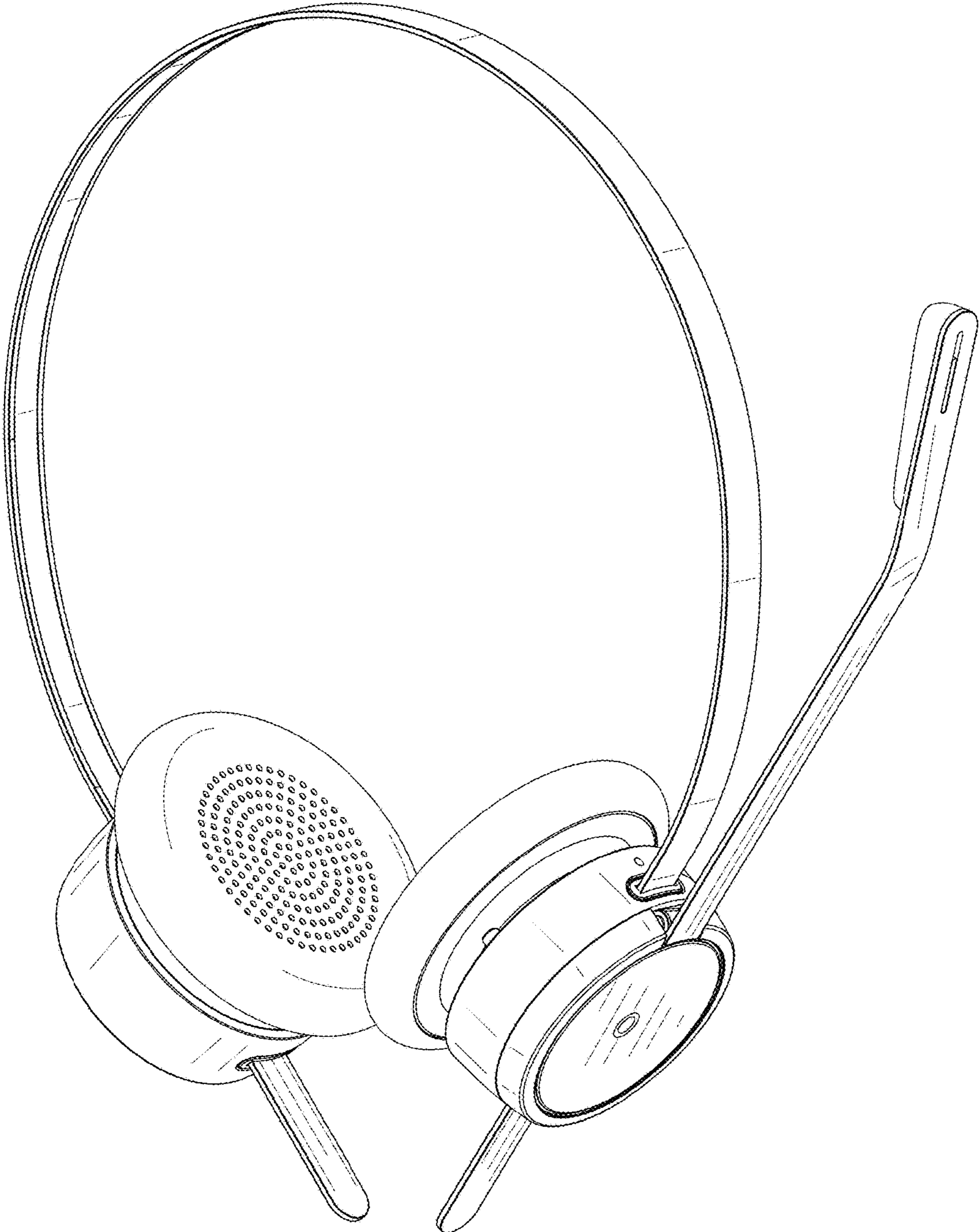


FIG. 7