

US00D866513S

(12) **United States Design Patent** (10) **Patent No.:** **US D866,513 S**  
**Lindof** (45) **Date of Patent:** **\*\* \*Nov. 12, 2019**

(54) **HEADSET**  
(71) Applicant: **RTX A/S, Nørresundby (DK)**  
(72) Inventor: **Jens Christian Lindof, Nørresundby (DK)**  
(73) Assignee: **RTX A/S, Nørresundby (DK)**  
(\* ) Notice: This patent is subject to a terminal disclaimer.  
(\*\* ) Term: **15 Years**  
(21) Appl. No.: **29/627,273**  
(22) Filed: **Nov. 24, 2017**

3,815,155 A 6/1974 Davison et al.  
4,420,657 A 12/1983 Larkin  
4,597,469 A 7/1986 Nagashima  
4,689,822 A \* 8/1987 Houng ..... H04R 1/1066  
381/371  
D300,133 S \* 3/1989 Daidoh ..... D14/205  
4,875,233 A 10/1989 Derhaag et al.  
D313,092 S 12/1990 Nilsson  
5,033,094 A \* 7/1991 Hung ..... H04M 1/05  
381/379

(Continued)

**FOREIGN PATENT DOCUMENTS**

EM 005299229-0002 \* 6/2018  
EP 004749026-0010 3/2018

**OTHER PUBLICATIONS**

Lamicall Headphone Stand, online, no post date, <URL: https://www.soundandvision.com/shop/.

(Continued)

*Primary Examiner* — Paula Allen Greene  
(74) *Attorney, Agent, or Firm* — Merchant & Gould P.C.

(30) **Foreign Application Priority Data**  
May 24, 2017 (EM) ..... 004015972  
(51) **LOC (12) Cl.** ..... **14-01**  
(52) **U.S. Cl.**  
USPC ..... **D14/206; D14/226**  
(58) **Field of Classification Search**  
USPC ..... D14/206, 205, 188, 192, 225, 226;  
181/129, 130, 135, 144, 145, 150, 199;  
379/430, 431; 381/380, 381, 374, 376;  
455/90.3, 575.1, 560.1; D29/112; 2/209  
CPC .... H04R 1/1066; H04R 1/1016; H04R 25/00;  
H04R 25/02; H04R 1/1091; H04R 1/105  
See application file for complete search history.

(57) **CLAIM**

The ornamental design for a headset, as shown and described.

**DESCRIPTION**

FIG. 1 is a perspective view of a headset showing my new design;  
FIG. 2 is a front elevational view thereof;  
FIG. 3 is a left side elevational view thereof;  
FIG. 4 is a right side elevational view thereof;  
FIG. 5 is a top plan view thereof;  
FIG. 6 is a bottom plan view thereof; and,  
FIG. 7 is a rear perspective view thereof.  
The broken lines depict environment that forms no part of the claimed design.

(56) **References Cited**  
**U.S. PATENT DOCUMENTS**  
1,329,658 A 2/1920 Gernsback  
1,988,880 A 1/1935 Strouse  
2,086,980 A 7/1937 Kirby  
2,954,442 A 9/1960 Mickenberg  
3,061,690 A \* 10/1962 Swinehart ..... H04R 1/222  
181/158  
3,311,713 A 3/1967 Knuebel

**1 Claim, 7 Drawing Sheets**



(56)

## References Cited

## U.S. PATENT DOCUMENTS

- 5,099,514 A \* 3/1992 Acree ..... H04M 1/6033  
379/430
- 5,117,465 A 5/1992 MacDonald  
D328,074 S \* 7/1992 Yamazaki ..... D14/205  
D337,116 S 7/1993 Hattori  
D337,587 S 7/1993 Nakayama  
D338,010 S \* 8/1993 Yamatogi ..... D14/205  
D346,802 S \* 5/1994 Sacherman ..... D14/206  
5,369,857 A 12/1994 Sacherman et al.  
D357,481 S \* 4/1995 Giuntoli ..... D14/227  
D377,020 S 12/1996 Bungardt et al.  
5,706,359 A \* 1/1998 Chang ..... H04R 1/08  
381/355
- D394,437 S 5/1998 Landreth et al.  
5,822,798 A 10/1998 Baxley  
5,887,286 A 3/1999 Waldron  
D430,140 S \* 8/2000 Roman ..... D14/205  
D432,526 S 10/2000 Claesson  
6,154,539 A 11/2000 Pitel  
6,246,766 B1 6/2001 Walsh  
D447,472 S \* 9/2001 McGugan ..... D14/225  
D464,943 S 10/2002 Lai  
D471,906 S 5/2003 Salazar et al.  
6,560,346 B2 5/2003 Ohta et al.  
D478,901 S 8/2003 Rath et al.  
D480,072 S \* 9/2003 Ham ..... D14/223  
6,625,293 B1 9/2003 Nageno et al.  
D481,364 S 10/2003 Kosumsuppamala et al.  
D484,137 S 12/2003 Wikel et al.  
D488,146 S 4/2004 Minto  
D490,399 S \* 5/2004 Kamo ..... D14/206  
D494,154 S \* 8/2004 Polito ..... D14/206  
D494,571 S 8/2004 Polito  
D494,957 S 8/2004 Rath et al.  
D498,470 S 11/2004 Skulley et al.  
D499,086 S 11/2004 Polito  
D504,419 S \* 4/2005 Bey ..... D14/223  
D504,887 S \* 5/2005 Skulley ..... D14/223  
D505,411 S \* 5/2005 Sakai ..... D14/192  
D505,413 S \* 5/2005 Skulley ..... D14/223  
6,952,481 B2 10/2005 Larsen et al.  
D511,492 S 11/2005 Allende Fritsch  
D517,527 S 3/2006 Suzuki  
D517,528 S 3/2006 Skulley  
D518,474 S 4/2006 Suzuki  
D518,479 S \* 4/2006 Skulley ..... D14/225  
D519,990 S \* 5/2006 Lazor ..... D14/229  
D520,464 S 5/2006 Strong et al.  
7,062,059 B1 6/2006 Bobisuthi  
D529,267 S \* 10/2006 Portzline ..... D2/964  
D529,900 S \* 10/2006 Skulley ..... D14/223  
D530,307 S 10/2006 Rath  
D530,702 S 10/2006 Pritchard et al.  
D535,980 S 1/2007 Bentley et al.  
D537,813 S 3/2007 Hoehn et al.  
D537,815 S \* 3/2007 Bentley ..... D14/206  
D538,785 S 3/2007 Skulley  
D539,267 S \* 3/2007 Komiyama ..... D14/205  
7,190,330 B2 3/2007 Travers et al.  
D539,788 S \* 4/2007 Thompson ..... D14/225  
D539,789 S 4/2007 Rausch et al.  
D540,303 S \* 4/2007 Rausch ..... D14/205  
D540,313 S \* 4/2007 Rausch ..... D14/225  
D541,256 S \* 4/2007 Rausch ..... D14/205  
7,209,177 B2 4/2007 Lapalme et al.  
D554,116 S 10/2007 Liu et al.  
D563,382 S 3/2008 Wikel  
D566,051 S 4/2008 Govindasamy  
D568,808 S 5/2008 Hamasaki  
D571,354 S \* 6/2008 Ng ..... D14/205  
7,391,863 B2 6/2008 Viduya et al.  
D572,188 S 7/2008 Prat-Pfister  
D574,368 S 8/2008 Chapman  
D581,371 S 11/2008 Richmond  
D587,683 S \* 3/2009 Ham ..... D14/205
- D587,684 S 3/2009 Ham et al.  
D588,100 S \* 3/2009 Densho ..... D14/205  
7,505,793 B2 3/2009 Ryann  
D590,372 S 4/2009 Melin  
D591,263 S \* 4/2009 Shimizu ..... D14/205  
7,519,196 B2 \* 4/2009 Bech ..... H04R 1/105  
381/370
- D592,640 S 5/2009 Tkachuk  
D601,126 S 9/2009 Christopher et al.  
D602,001 S 10/2009 Bentley  
D602,908 S \* 10/2009 Ham ..... D14/206  
D603,371 S \* 11/2009 Boateng ..... D14/205  
D606,048 S 12/2009 Soetejo et al.  
D608,351 S 1/2010 Song  
D609,694 S 2/2010 Komiyama  
D617,780 S 6/2010 Jaakkola et al.  
D617,781 S \* 6/2010 Kallas ..... D14/226  
D620,474 S 7/2010 Komiyama  
D625,705 S \* 10/2010 Ohori ..... D14/205  
D632,668 S \* 2/2011 Brunner ..... D14/205  
D634,298 S \* 3/2011 Shimizu ..... D14/205  
D638,000 S 5/2011 Hoggarth  
D645,847 S 9/2011 Chau  
D648,330 S \* 11/2011 Fischer ..... D14/226  
D654,472 S \* 2/2012 Fischer ..... D14/206  
D657,740 S 4/2012 Prat-Pfister  
D659,106 S 5/2012 Paul  
D663,717 S 7/2012 Hutchieson  
D664,116 S 7/2012 Hutchieson  
D664,943 S 8/2012 Choi  
D666,168 S \* 8/2012 Rath ..... D14/206  
D669,888 S 10/2012 Gougherty et al.  
D673,523 S \* 1/2013 Brennwald ..... D14/206  
D673,929 S 1/2013 Combs et al.  
D676,378 S 2/2013 Kim et al.  
D683,329 S 5/2013 Hagelin  
D684,559 S 6/2013 Groset et al.  
D684,963 S 6/2013 Goodrich  
D686,593 S 7/2013 Larsen  
D687,808 S 8/2013 Combs et al.  
D707,655 S 6/2014 Porter  
8,838,029 B2 9/2014 Goldman et al.  
D730,873 S 6/2015 Petterson et al.  
D732,002 S \* 6/2015 Goransson ..... D14/206  
D733,113 S 6/2015 Krantz  
D747,293 S 1/2016 Mistry  
9,271,065 B2 2/2016 Lamb et al.  
D760,177 S 6/2016 Gassner  
D765,623 S 9/2016 Yang et al.  
D777,166 S 1/2017 Bidwell et al.  
9,609,413 B2 3/2017 Hsiao  
D799,449 S 10/2017 Yoon et al.  
D806,676 S \* 1/2018 Fuglsang ..... D14/206  
D813,805 S 3/2018 Zhong  
D814,413 S 4/2018 Zhong  
D822,638 S \* 7/2018 Liu ..... D14/206  
D824,913 S 8/2018 Bidwell et al.  
D826,851 S 8/2018 Wang  
D827,568 S 9/2018 Turksu et al.  
D827,617 S 9/2018 Dillon  
D830,339 S \* 10/2018 Yan ..... D14/206  
D847,782 S 5/2019 Wernblad  
D847,783 S 5/2019 Wernblad et al.  
D847,784 S 5/2019 Wernblad et al.  
D855,038 S 7/2019 Hu  
2005/0286717 A1 12/2005 Viduya et al.  
2011/0135134 A1 \* 6/2011 Essabar ..... H04R 1/1025  
381/374  
2011/0206393 A1 \* 8/2011 Nakazato ..... G03G 15/55  
399/31  
2011/0228925 A1 \* 9/2011 Birch ..... H04M 1/05  
379/428.02  
2012/0163616 A1 6/2012 Birch  
2012/0328119 A1 \* 12/2012 Heise ..... H04R 1/1066  
381/74  
2015/0086058 A1 3/2015 Harms et al.

(56)

**References Cited**

U.S. PATENT DOCUMENTS

2016/0119702 A1 4/2016 Matsui et al.  
2016/0198254 A1 7/2016 Gecawicz et al.

OTHER PUBLICATIONS

Satechi Aluminum Headphone Stand and USB Hub Review, YouTube  
online, post date Feb. 6, 2016, <URL: [https://www.youtube.com/  
watch?v=bVosH0ADleg](https://www.youtube.com/watch?v=bVosH0ADleg) >, retrieved Apr. 11, 2019.

\* cited by examiner

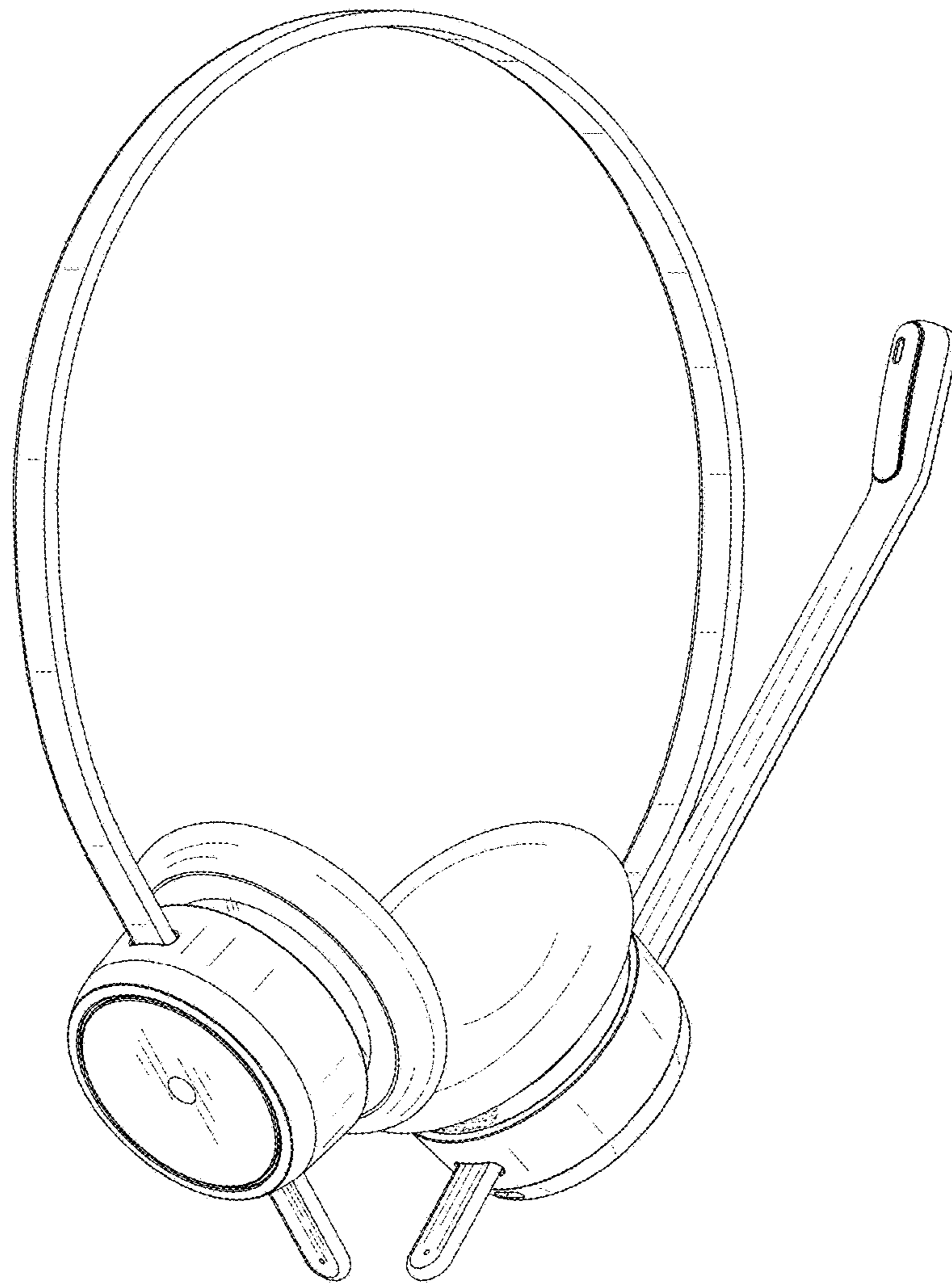


FIG. 1

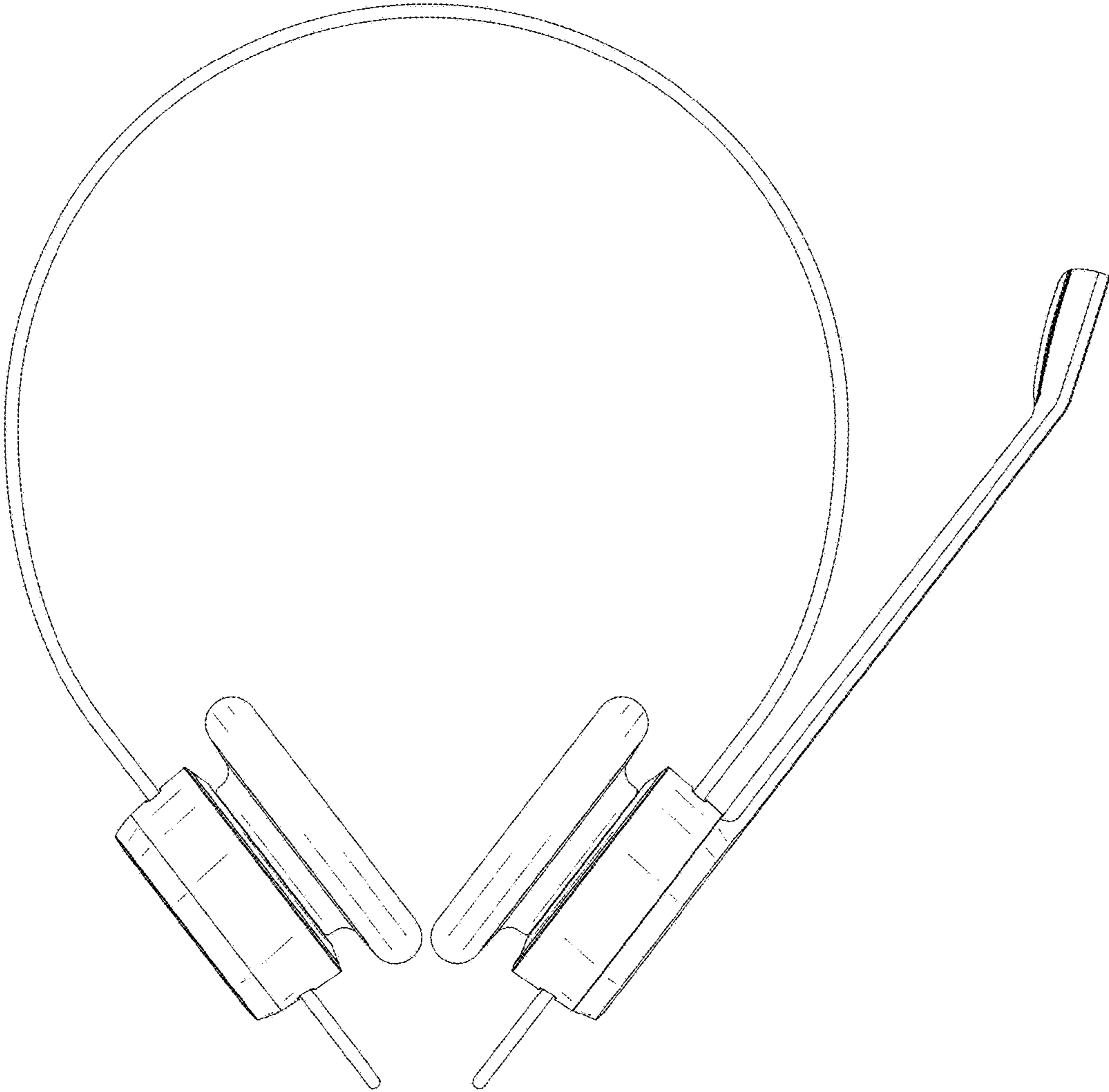


FIG. 2

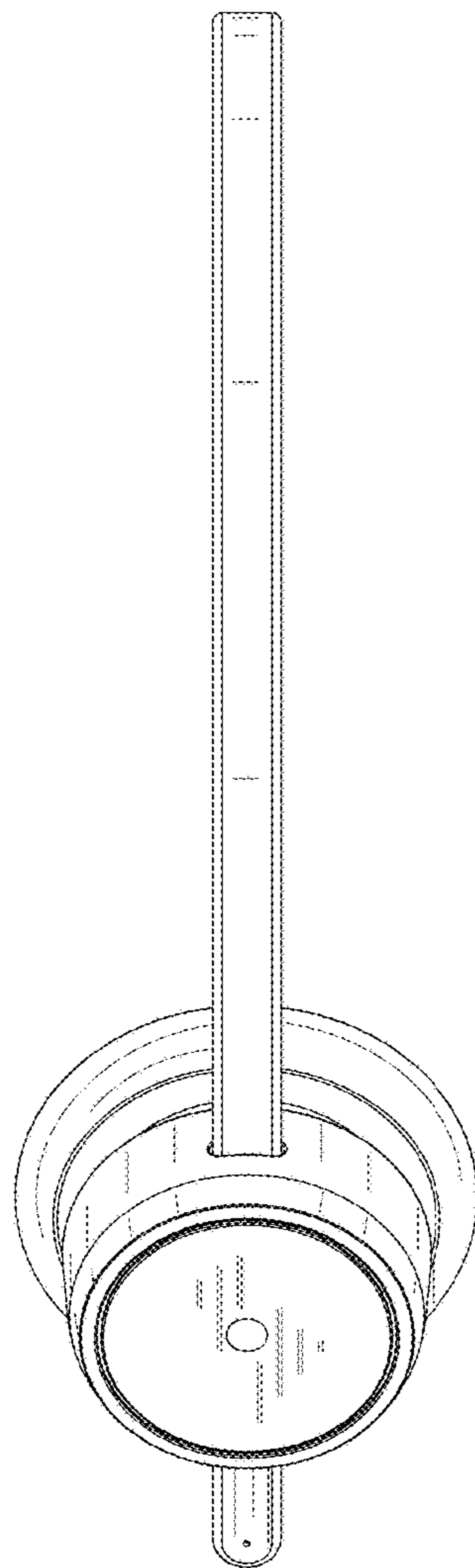


FIG. 3

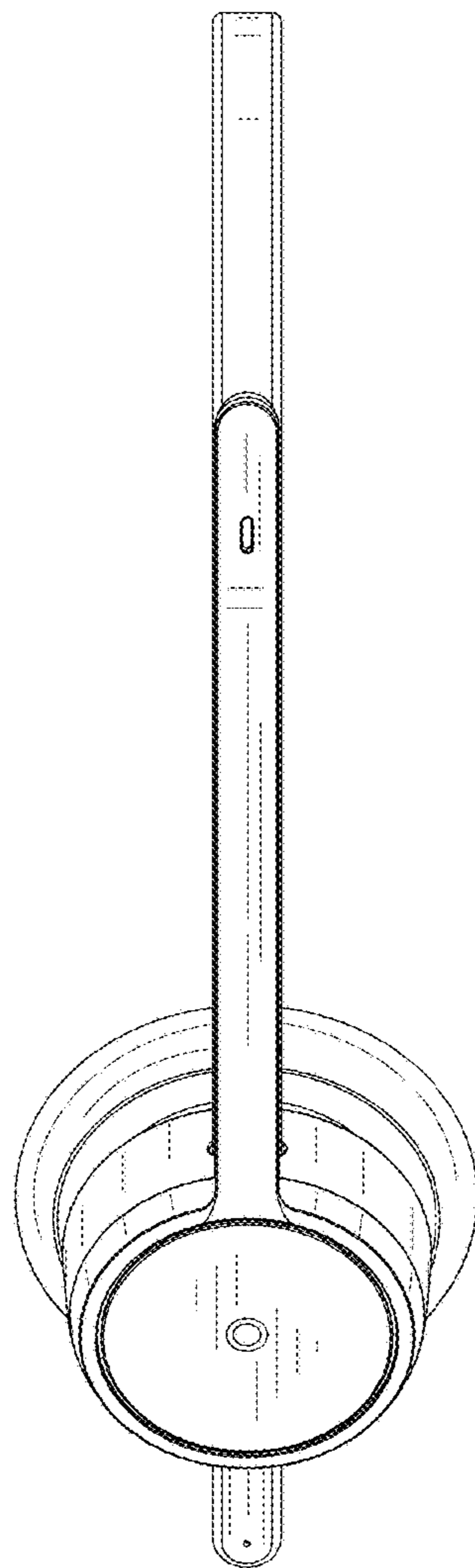


FIG. 4

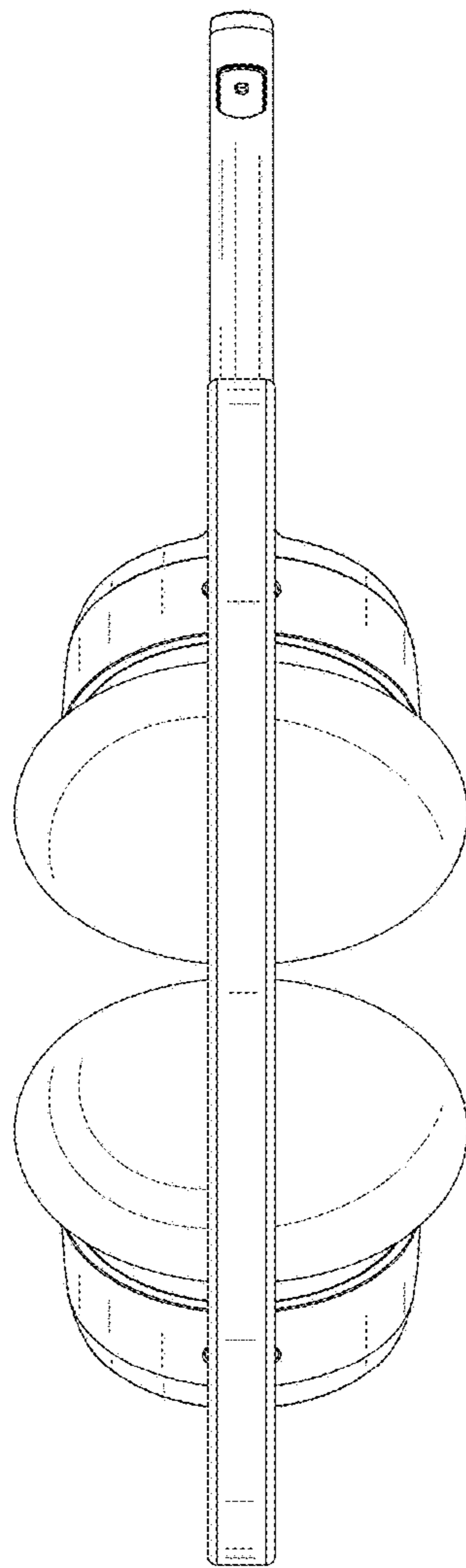


FIG. 5



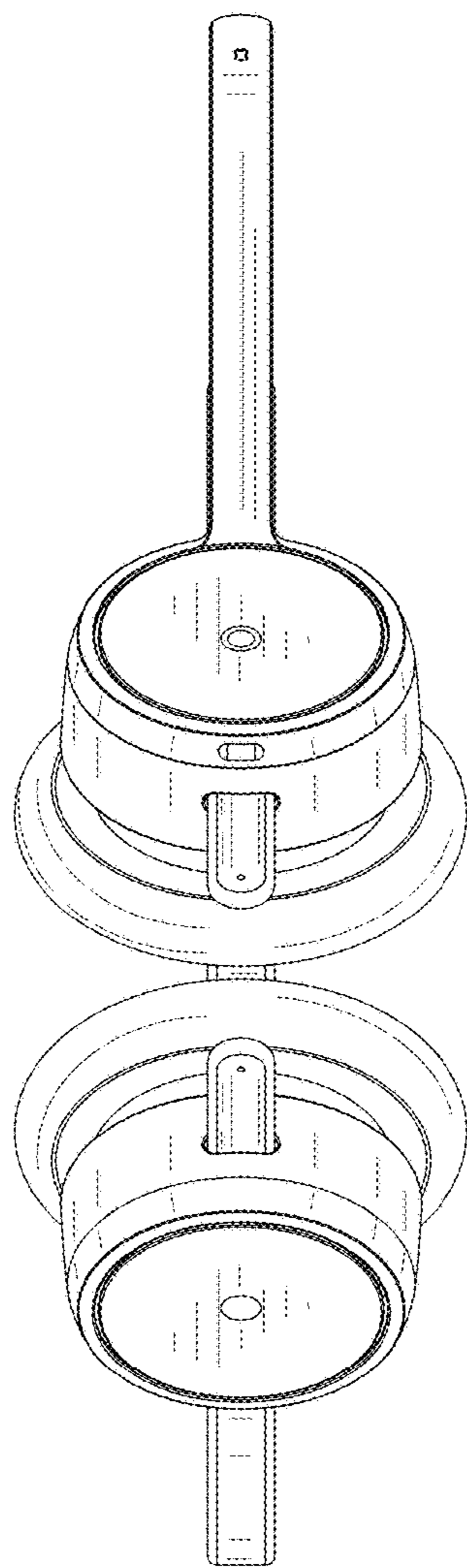


FIG. 6



FIG. 7