

US00D866511S

(12) **United States Design Patent**  
**Lindof**

(10) **Patent No.:** **US D866,511 S**  
(45) **Date of Patent:** **\*\* Nov. 12, 2019**

(54) **HEADSET**  
(71) Applicant: **RTX A/S, Nørresundby (DK)**  
(72) Inventor: **Jens Christian Lindof, Nørresundby (DK)**  
(73) Assignee: **RTX A/S, Nørresundby (DK)**  
(\*\*) Term: **15 Years**

3,815,155 A \* 6/1974 Davison ..... A42B 3/166  
2/209  
D270,634 S \* 9/1983 Ungar ..... D14/205  
4,420,657 A 12/1983 Larkin  
4,597,469 A \* 7/1986 Nagashima ..... H04R 5/0335  
181/129  
D286,874 S 11/1986 Bertagna et al.  
4,689,822 A \* 8/1987 Houng ..... H04R 1/1066  
381/371  
D300,133 S \* 3/1989 Daidoh ..... D14/205  
4,875,233 A 10/1989 Derhaag et al.  
(Continued)

(21) Appl. No.: **29/627,270**

**FOREIGN PATENT DOCUMENTS**

(22) Filed: **Nov. 24, 2017**

EP 004749026-0010 3/2018

(30) **Foreign Application Priority Data**

**OTHER PUBLICATIONS**

May 24, 2017 (EM) ..... 004015972

Lamicall Headphone Stand, online, no post date, <URL: https://www.soundandvision.com/shop/.

(51) **LOC (12) Cl.** ..... **14-01**

(Continued)

(52) **U.S. Cl.**  
USPC ..... **D14/206; D14/226**

(58) **Field of Classification Search**  
USPC ..... D14/206, 205, 225, 226; D29/112, 122;  
181/144, 145, 150, 199; 379/430, 431;  
381/380, 381, 374, 74; 455/90.3, 475.1,  
455/569.1  
CPC .... H04R 1/1066; H04R 1/1016; H04R 5/033;  
H04R 5/0335; H04R 1/10; H04R 25/00;  
H04R 25/02

*Primary Examiner* — Paula Allen Greene  
(74) *Attorney, Agent, or Firm* — Merchant & Gould P.C.

(57) **CLAIM**

The ornamental design for a headset, as shown and described.

See application file for complete search history.

**DESCRIPTION**

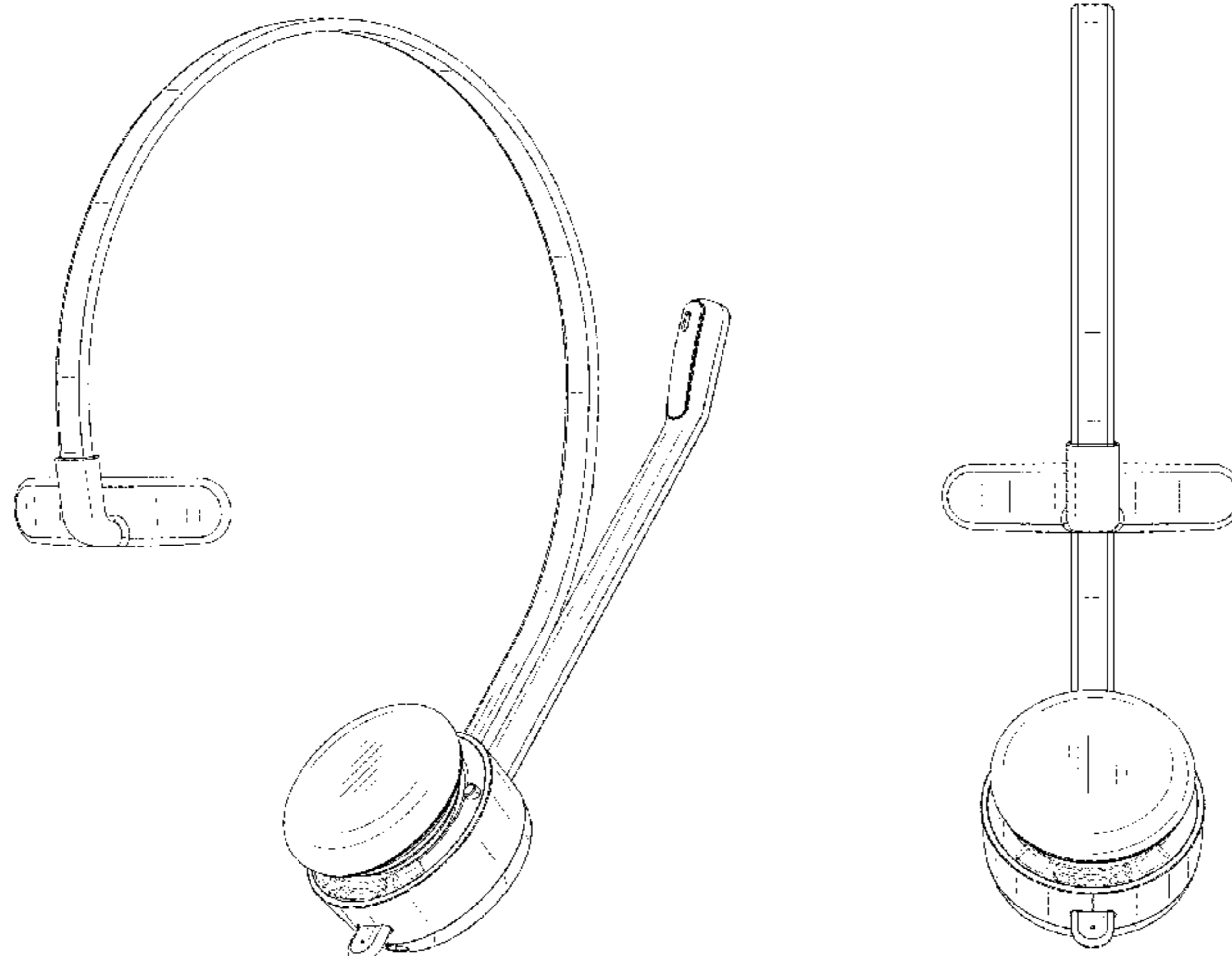
(56) **References Cited**

**U.S. PATENT DOCUMENTS**

1,329,658 A 2/1920 Gernsback  
1,988,880 A 1/1935 Strouse  
2,025,398 A \* 12/1935 Pocock ..... H04M 1/05  
D14/205  
2,086,980 A 7/1937 Kirby  
2,954,442 A 9/1960 Mickenberg  
3,061,690 A 10/1962 Swinehart  
3,311,713 A 3/1967 Knuebel

FIG. 1 is a perspective view of a headset showing my new design;  
FIG. 2 is a front elevational view thereof;  
FIG. 3 is a left side elevational view thereof;  
FIG. 4 is a right side elevational view thereof;  
FIG. 5 is a top plan view thereof;  
FIG. 6 is a bottom plan view thereof; and,  
FIG. 7 is a rear perspective view thereof.  
The broken lines depict environment that forms no part of the claimed design.

**1 Claim, 7 Drawing Sheets**



(56)

References Cited

U.S. PATENT DOCUMENTS

4,926,961	A *	5/1990	Gathey	G10K 11/22	181/18	D539,789	S *	4/2007	Rausch	D14/225
D313,092	S	12/1990	Nilsson			D540,303	S *	4/2007	Rausch	D14/205
5,033,094	A *	7/1991	Hung	H04M 1/05	381/379	D540,313	S *	4/2007	Rausch	D14/225
5,099,514	A	3/1992	Acree			D540,778	S *	4/2007	Thompson	D14/206
5,117,465	A	5/1992	MacDonald			D541,256	S	4/2007	Rausch et al.	
D328,074	S *	7/1992	Yamazaki	D14/205		7,209,177	B2	4/2007	Lapalme et al.	
D337,116	S *	7/1993	Hattori	D14/206		D554,116	S	10/2007	Liu et al.	
D338,010	S *	8/1993	Yamatogi	D14/205		D563,382	S	3/2008	Wikel	
5,369,857	A *	12/1994	Sacherman	H04R 5/0335	29/594	D566,051	S	4/2008	Govindasamy	
D357,481	S *	4/1995	Giuntoli	D14/227		D568,808	S	5/2008	Hamasaki	
5,469,505	A *	11/1995	Gathey	H04M 1/05	379/430	D571,354	S	6/2008	Ng	
D377,020	S *	12/1996	Bungardt	D14/205		7,391,863	B2 *	6/2008	Viduya	H04M 1/05 379/430
5,706,359	A	1/1998	Chang			D572,188	S	7/2008	Prat-Pfister	
5,822,798	A	10/1998	Baxley			D574,368	S	8/2008	Chapman	
5,887,286	A *	3/1999	Waldron	A61F 11/14	181/129	D581,371	S	11/2008	Richmond	
6,038,329	A *	3/2000	Lee	H04R 1/105	379/430	D587,683	S	3/2009	Ham et al.	
D430,140	S *	8/2000	Roman	D14/205		D587,684	S *	3/2009	Ham	D14/205
D432,526	S *	10/2000	Claesson	D14/228		D588,100	S	3/2009	Densho et al.	
6,154,539	A *	11/2000	Pitel	H04M 1/05	379/430	D590,372	S	4/2009	Melin	
6,246,766	B1	6/2001	Walsh			D591,263	S	4/2009	Shimizu	
D447,472	S *	9/2001	McGugan	D14/225		7,519,196	B2 *	4/2009	Bech	H04R 1/105 381/370
D471,906	S	5/2003	Salazar et al.			D592,640	S	5/2009	Tkachuk	
6,560,346	B2 *	5/2003	Ohta	H04R 1/083	381/370	D601,126	S	9/2009	Christopher et al.	
D480,072	S *	9/2003	Ham	D14/223		D601,543	S *	10/2009	Bentley	D14/206
6,622,029	B1 *	9/2003	Skulley	H04M 1/05	379/430	D602,908	S *	10/2009	Ham	D14/206
6,625,293	B1 *	9/2003	Nageno	H04R 1/08	181/20	D603,371	S	11/2009	Boateng et al.	
D481,364	S	10/2003	Kosumsuppamala et al.			D606,048	S	12/2009	Soetejo et al.	
D482,019	S *	11/2003	Petersen	D14/206		D608,351	S	1/2010	Song	
D488,146	S *	4/2004	Minto	D14/206		D609,694	S	2/2010	Komiyama	
D490,399	S *	5/2004	Kamo	D14/206		D617,780	S	6/2010	Jaakkola et al.	
6,768,804	B1 *	7/2004	Isvan	H04R 1/083	181/20	D617,781	S *	6/2010	Kallas	D14/226
D494,154	S	8/2004	Polito			D620,474	S	7/2010	Komiyama	
D494,957	S	8/2004	Rath et al.			D632,668	S	2/2011	Brunner et al.	
D498,470	S *	11/2004	Skulley	D14/206		D634,298	S	5/2011	Shimizu et al.	
D504,419	S *	4/2005	Bey	D14/223		D638,000	S *	5/2011	Hoggarth	D14/206
D504,887	S *	5/2005	Skulley	D14/223		D643,405	S	8/2011	Rath	
D505,411	S	5/2005	Sakai			D645,847	S	9/2011	Chau	
D505,413	S *	5/2005	Skulley	D14/223		D648,330	S	11/2011	Fischer	
6,952,481	B2 *	10/2005	Larsen	H04M 1/05	379/430	8,061,473	B1	11/2011	Kerr	
D511,492	S	11/2005	Allende Fritsch			D654,472	S	2/2012	Fischer	
D514,086	S *	1/2006	Skulley	D14/206		D657,740	S	4/2012	Prat-Pfister	
D517,527	S	3/2006	Suzuki			D659,106	S	5/2012	Paul	
D517,528	S *	3/2006	Skulley	D14/206		D663,717	S	7/2012	Hutchieson	
D518,474	S	4/2006	Suzuki			D664,116	S	7/2012	Hutchieson	
D518,479	S *	4/2006	Skulley	D14/225		D664,943	S	8/2012	Choi	
D519,990	S *	5/2006	Lazor	D14/229		D666,168	S	8/2012	Rath	
D520,464	S	5/2006	Strong et al.			D669,888	S	10/2012	Gougherty et al.	
7,062,059	B1 *	6/2006	Bobisuthi	H04M 1/05	381/370	D673,523	S	1/2013	Brennwald	
7,106,877	B1	9/2006	Linville			D673,929	S	1/2013	Combs et al.	
D529,900	S *	10/2006	Skulley	D14/223		D676,378	S	2/2013	Kim et al.	
D530,307	S	10/2006	Rath			D683,329	S	5/2013	Hagelin	
D530,702	S *	10/2006	Pritchard	D14/206		D684,559	S	6/2013	Groset et al.	
D531,165	S *	10/2006	Rath	D14/206		D684,963	S	6/2013	Goodrich	
D535,980	S *	1/2007	Bentley	D14/225		D686,593	S	7/2013	Larsen	
D537,813	S *	3/2007	Hoehn	D14/207		D687,808	S	8/2013	Combs et al.	
D537,815	S	3/2007	Bentley et al.			D707,655	S	6/2014	Porter	
D538,785	S *	3/2007	Skulley	D14/206		8,838,029	B2	9/2014	Goldman et al.	
D539,267	S	3/2007	Komiyama			D719,135	S	12/2014	Kelley	
7,190,330	B2 *	3/2007	Travers	G02B 27/0176	345/7	D732,002	S *	6/2015	Goransson	D14/206
D539,788	S *	4/2007	Thompson	D14/225		D733,113	S	6/2015	Krantz	
						9,271,065	B2	2/2016	Lamb et al.	
						D760,177	S	6/2016	Gassner	
						D765,623	S	9/2016	Yang et al.	
						D771,012	S	11/2016	Wagner	
						D777,166	S	1/2017	Bidwell et al.	
						9,609,413	B2	3/2017	Hsiao	
						D796,484	S	9/2017	Chen	
						D799,449	S	10/2017	Yoon et al.	
						D799,450	S	10/2017	Lee et al.	
						D806,676	S *	1/2018	Fuglsang	D14/206
						D813,805	S	3/2018	Zhong	
						D814,413	S	4/2018	Zhong	
						D822,638	S *	7/2018	Liu	D14/206
						D824,913	S	8/2018	Bidwell et al.	
						D826,851	S	8/2018	Wang	
						D827,568	S	9/2018	Turksu et al.	
						D827,617	S	9/2018	Dillon	

(56)

**References Cited**

U.S. PATENT DOCUMENTS

D830,339 S \* 10/2018 Yan ..... D14/206  
D847,782 S 5/2019 Wernblad  
D847,783 S 5/2019 Wernblad et al.  
D847,784 S 5/2019 Wernblad et al.  
D855,038 S 7/2019 Hu  
2003/0072466 A1 4/2003 Eisenbraun  
2011/0135134 A1\* 6/2011 Essabar ..... H04R 1/1025  
381/374  
2011/0206393 A1 8/2011 Nakazato et al.  
2011/0228925 A1\* 9/2011 Birch ..... H04M 1/05  
379/428.02  
2011/0306393 A1\* 12/2011 Goldman ..... H04M 1/6066  
455/575.2  
2012/0163616 A1\* 6/2012 Birch ..... H04M 1/6058  
381/74  
2012/0328119 A1 12/2012 Heise  
2015/0086058 A1\* 3/2015 Harms ..... H04R 7/18  
381/369  
2016/0198254 A1\* 7/2016 Gecawicz ..... H04R 1/083  
381/375

OTHER PUBLICATIONS

Satechi Aluminum Headphone Stand and USB Hub Review, YouTube  
online, post date Feb. 6, 2016, <URL: [https://www.youtube.com/  
watch?v=bVosH0ADIeg](https://www.youtube.com/watch?v=bVosH0ADIeg)>, retrieved Apr. 11, 2019.

\* cited by examiner

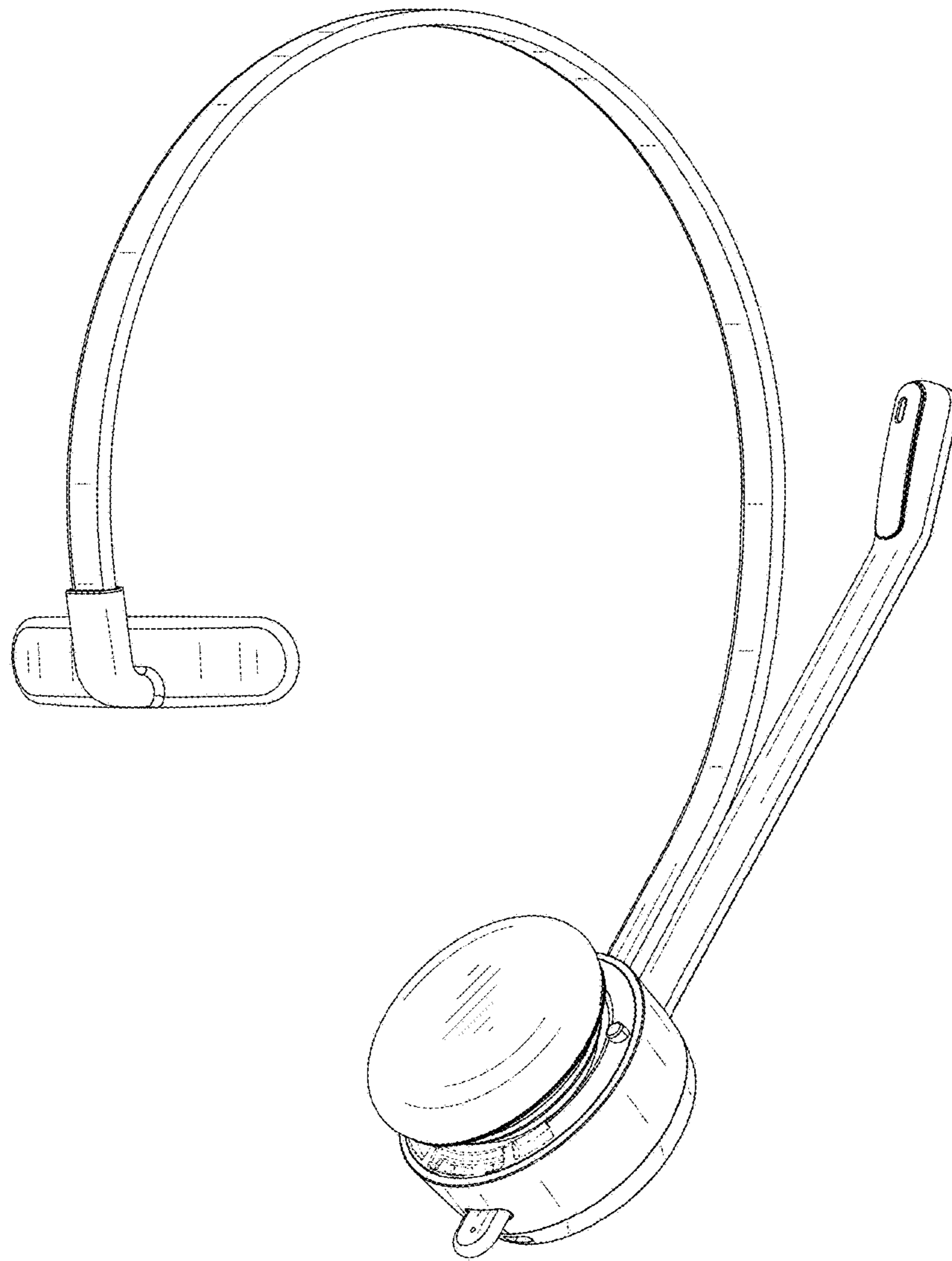


FIG. 1

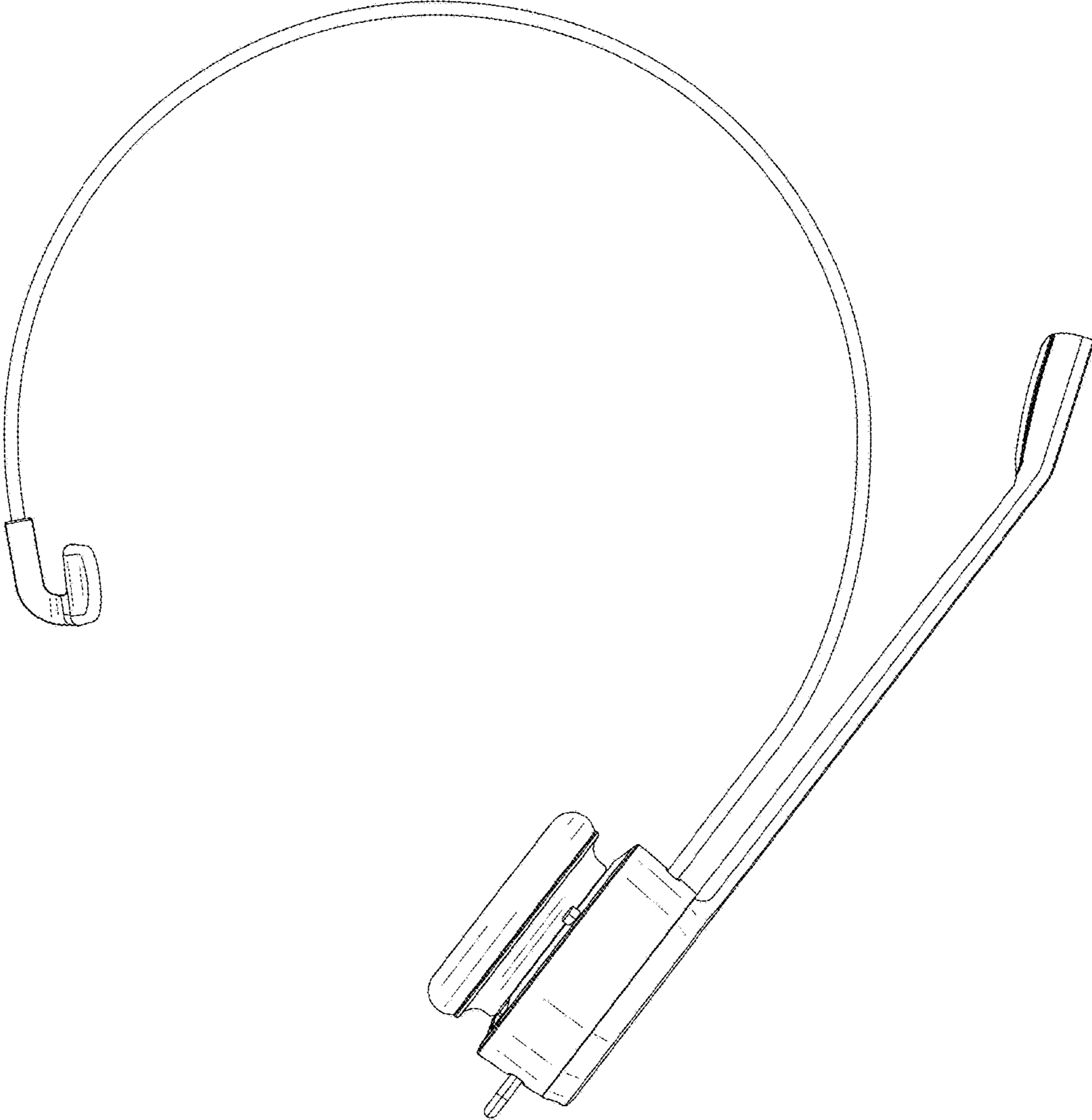


FIG. 2

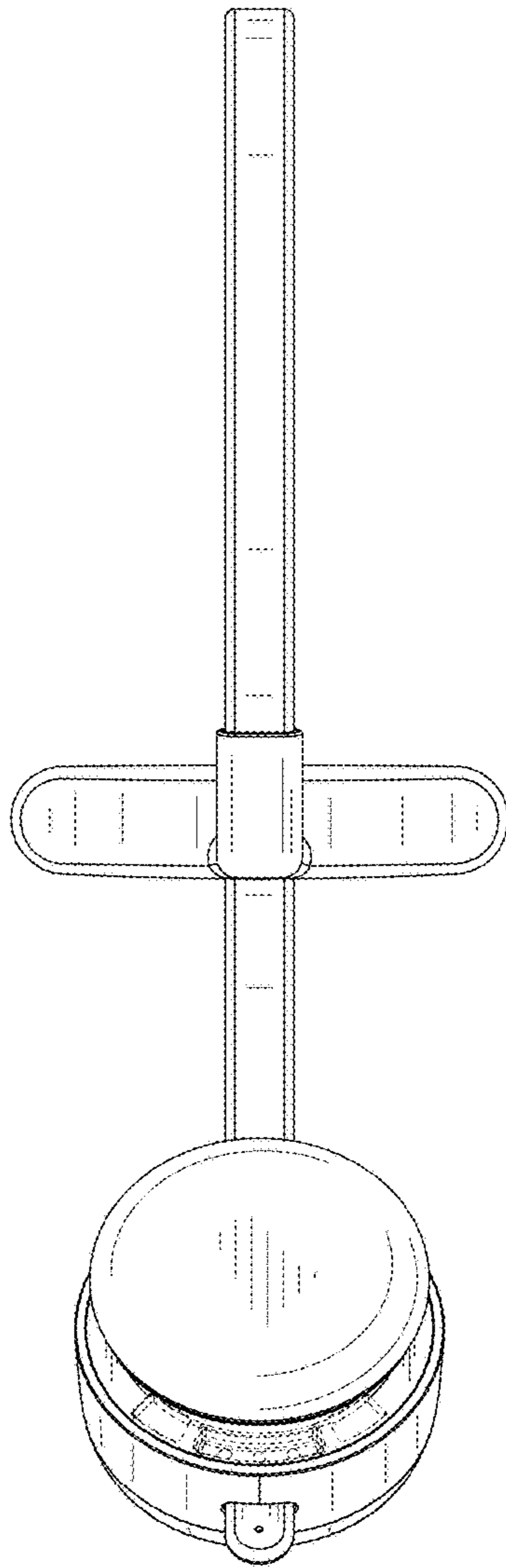


FIG. 3

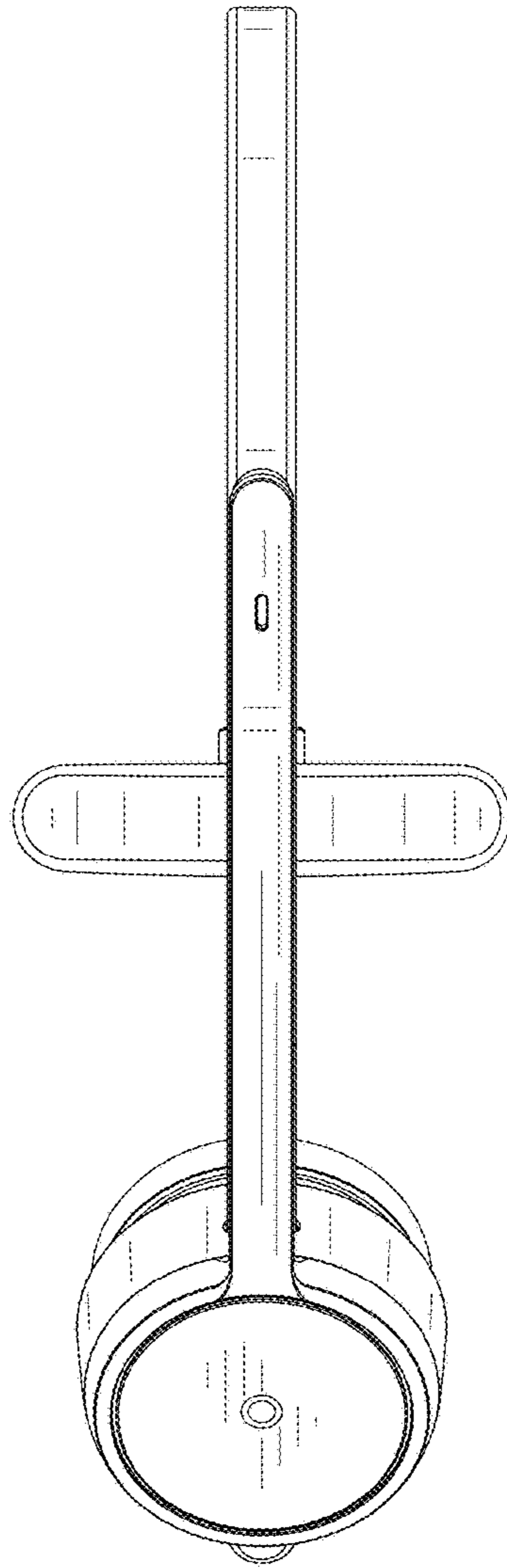


FIG. 4

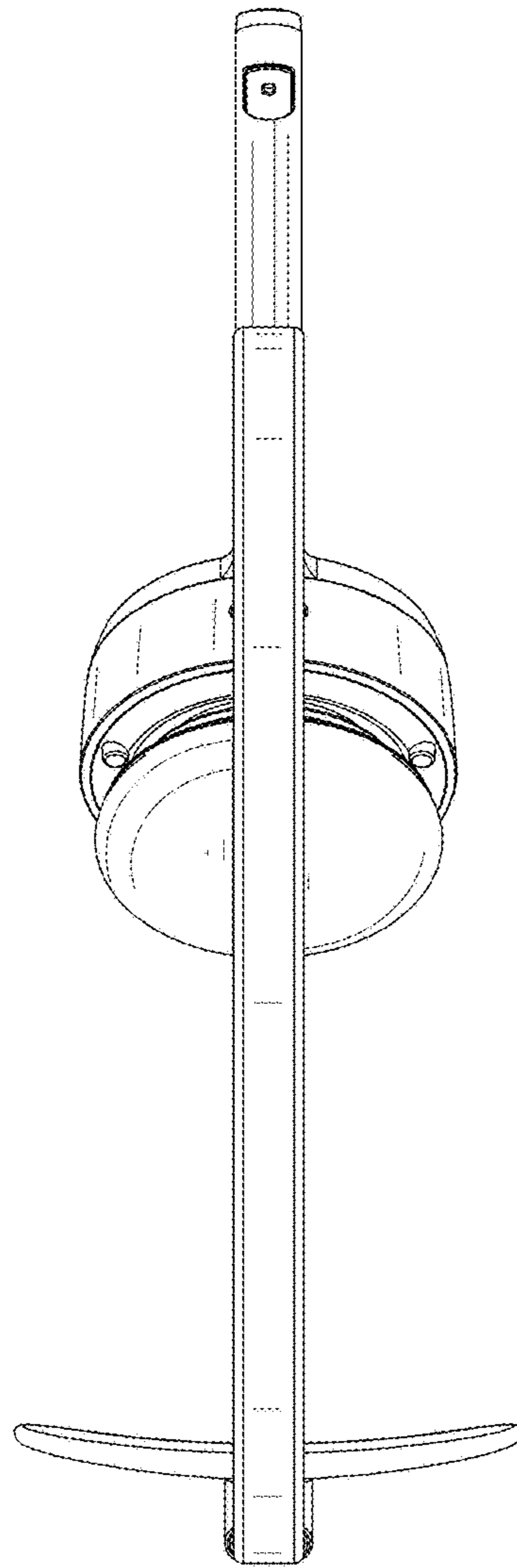


FIG. 5



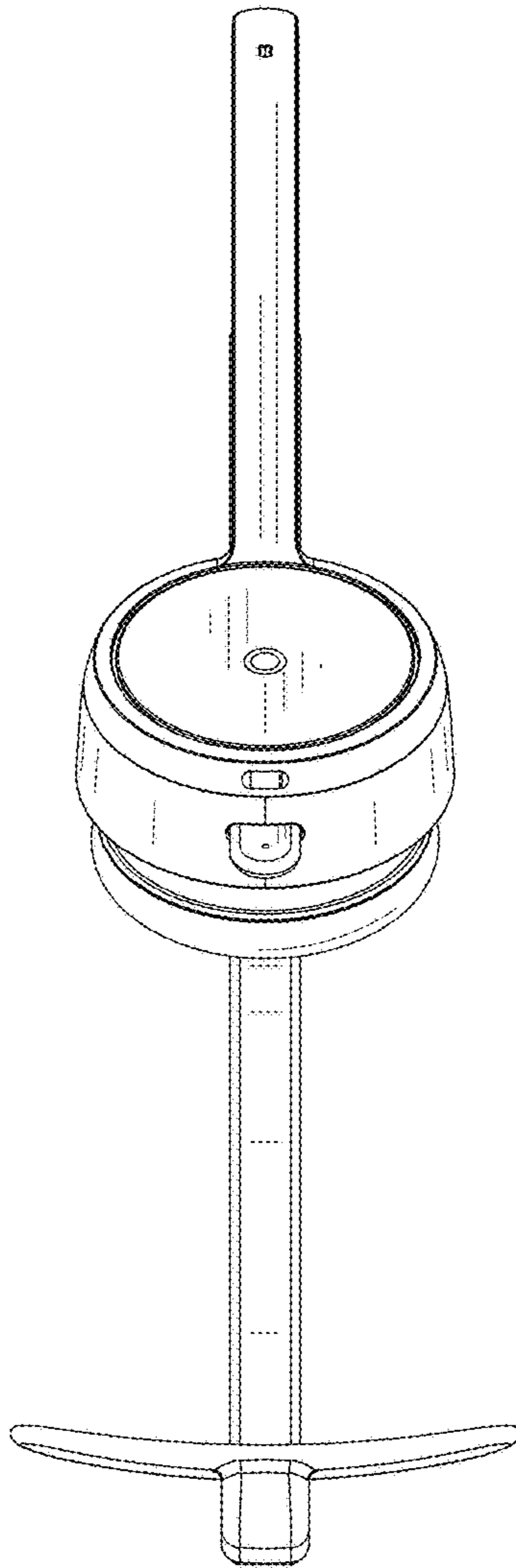


FIG. 6

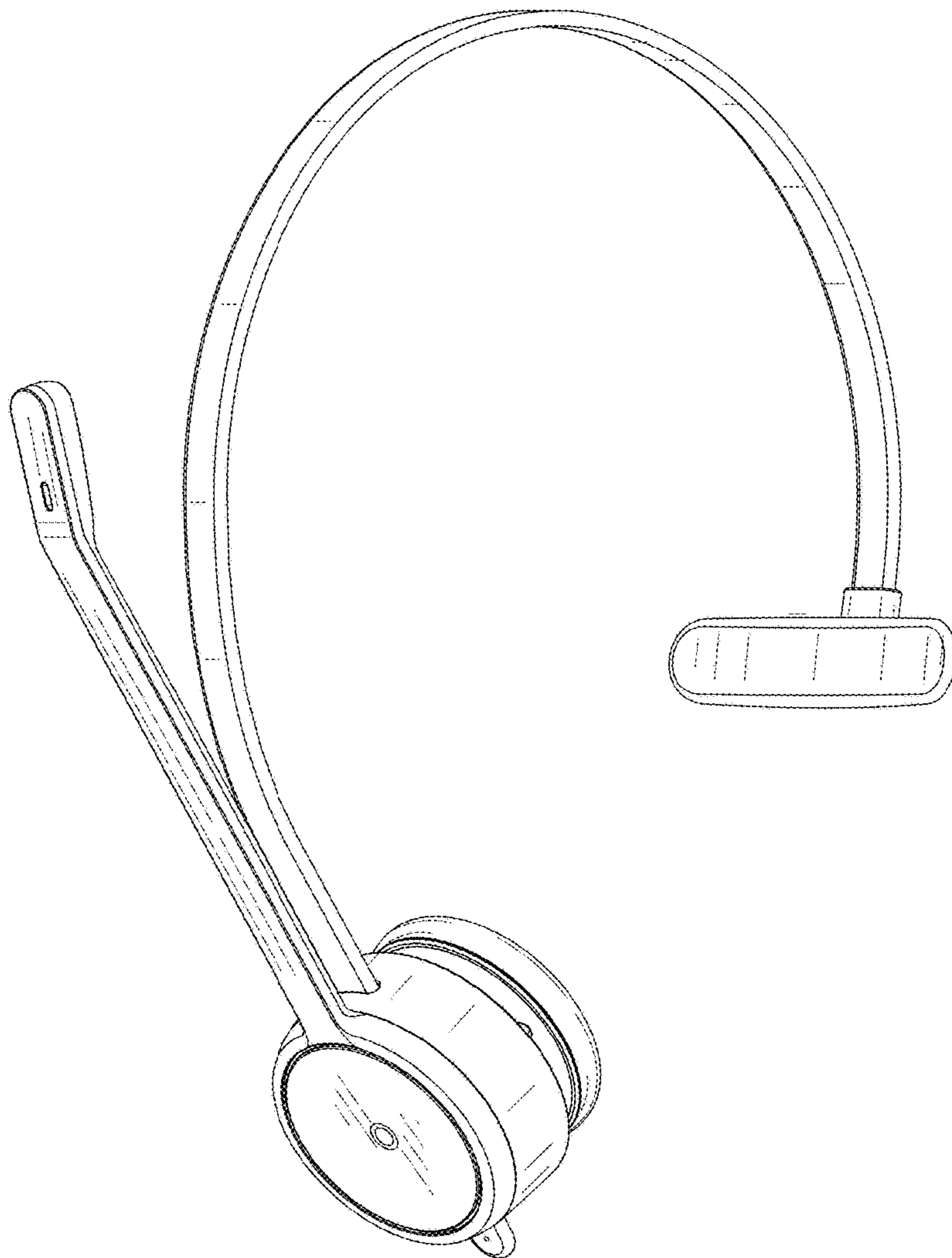


FIG. 7