



US00D866509S

(12) **United States Design Patent**
Lindof

(10) **Patent No.:** **US D866,509 S**

(45) **Date of Patent:** **** Nov. 12, 2019**

(54) **HEADSET**

(71) Applicant: **RTX A/S**, Nørresundby (DK)

(72) Inventor: **Jens Christian Lindof**, Nørresundby (DK)

(73) Assignee: **RTX A/S**, Nørresundby (DK)

(**) Term: **15 Years**

(21) Appl. No.: **29/627,266**

(22) Filed: **Nov. 24, 2017**

(51) **LOC (12) Cl.** **14-01**

(52) **U.S. Cl.**
USPC **D14/206**; D14/226

(58) **Field of Classification Search**
USPC D14/206, 205, 188, 192, 225, 226;
D29/112, 122; 181/129, 130, 135;
379/430, 431; 381/380, 381, 374, 74;
455/90.3, 575.1, 569.1; 2/209; D28/41;
132/273

CPC H04R 1/1066; H04R 1/1016; H04R 5/033;
H04R 5/0335; H04R 25/00; H04R 25/02;
H04R 1/10

See application file for complete search history.

(56) **References Cited**

U.S. PATENT DOCUMENTS

1,329,658 A	2/1920	Gernsback	
2,025,398 A	12/1933	Pocock et al.	
1,988,880 A *	1/1935	Strouse	A61F 11/14 128/866
2,086,980 A	7/1937	Kirby	
2,954,442 A	9/1960	Mickenberg	
3,061,690 A	10/1962	Swinehart	
3,211,160 A *	10/1965	Miller	A45D 8/00 132/275
3,311,713 A *	3/1967	Knuebel	H04M 1/05 379/430
3,815,155 A *	6/1974	Davison	A42B 3/166 2/209

D270,634 S	9/1983	Ungar	
4,420,657 A	12/1983	Larkin	
4,597,469 A	7/1986	Nagashima	
D286,874 S	11/1986	Bertagna et al.	
4,689,822 A	8/1987	Houng	
D300,133 S	3/1989	Daidoh et al.	
4,875,233 A	10/1989	Derhaag et al.	
4,926,961 A	5/1990	Gathey et al.	
D313,092 S *	12/1990	Nilsson	D14/205
5,033,094 A	7/1991	Houng	
5,099,514 A	3/1992	Acree	

(Continued)

FOREIGN PATENT DOCUMENTS

EP	004749026-0010	3/2018
EP	005299229-0002	6/2018

OTHER PUBLICATIONS

Lamicall Headphone Stand, online, no post date, <URL: <https://www.soundandvision.com/shop/>.

(Continued)

Primary Examiner — Paula Allen Greene

(74) *Attorney, Agent, or Firm* — Merchant & Gould P.C.

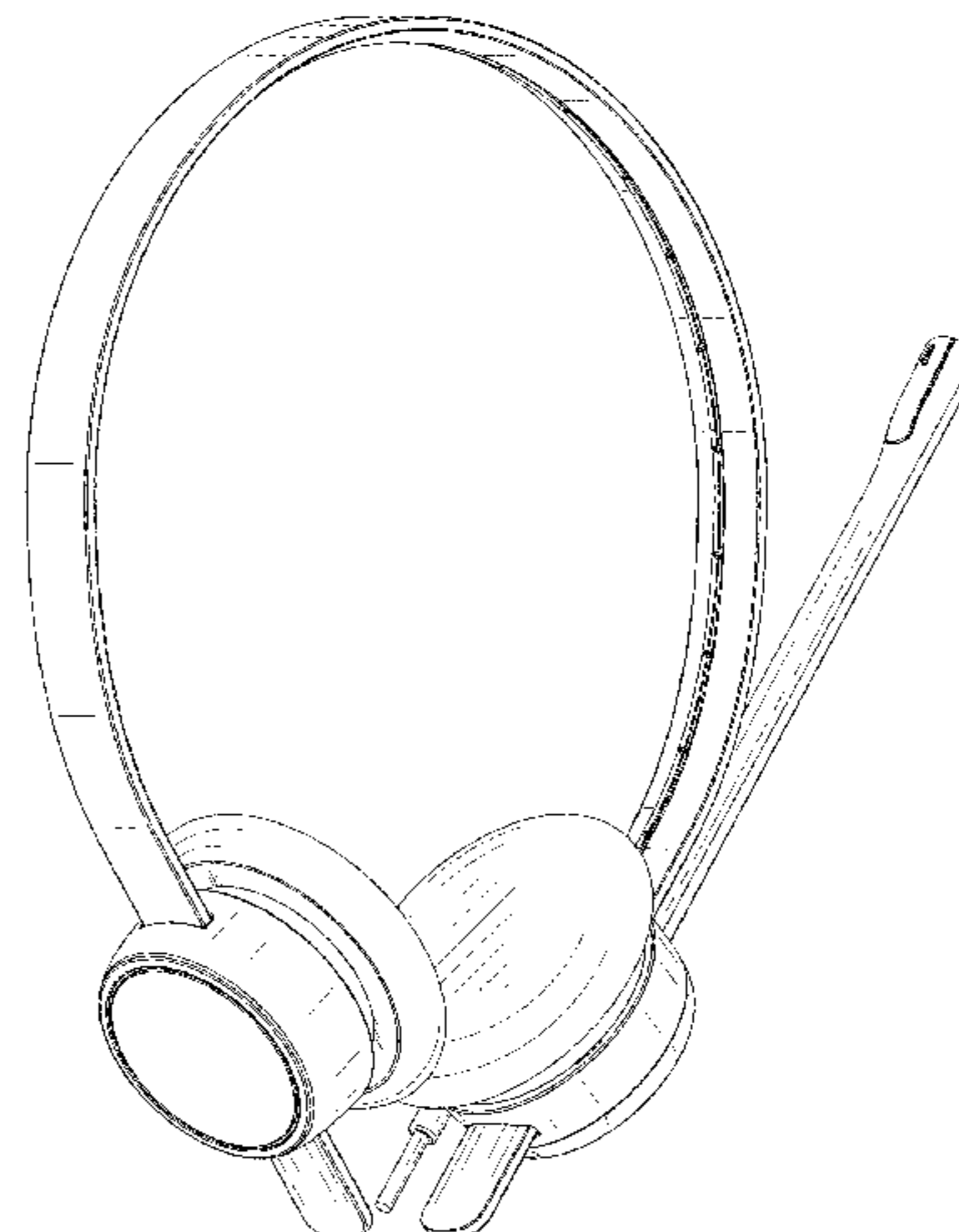
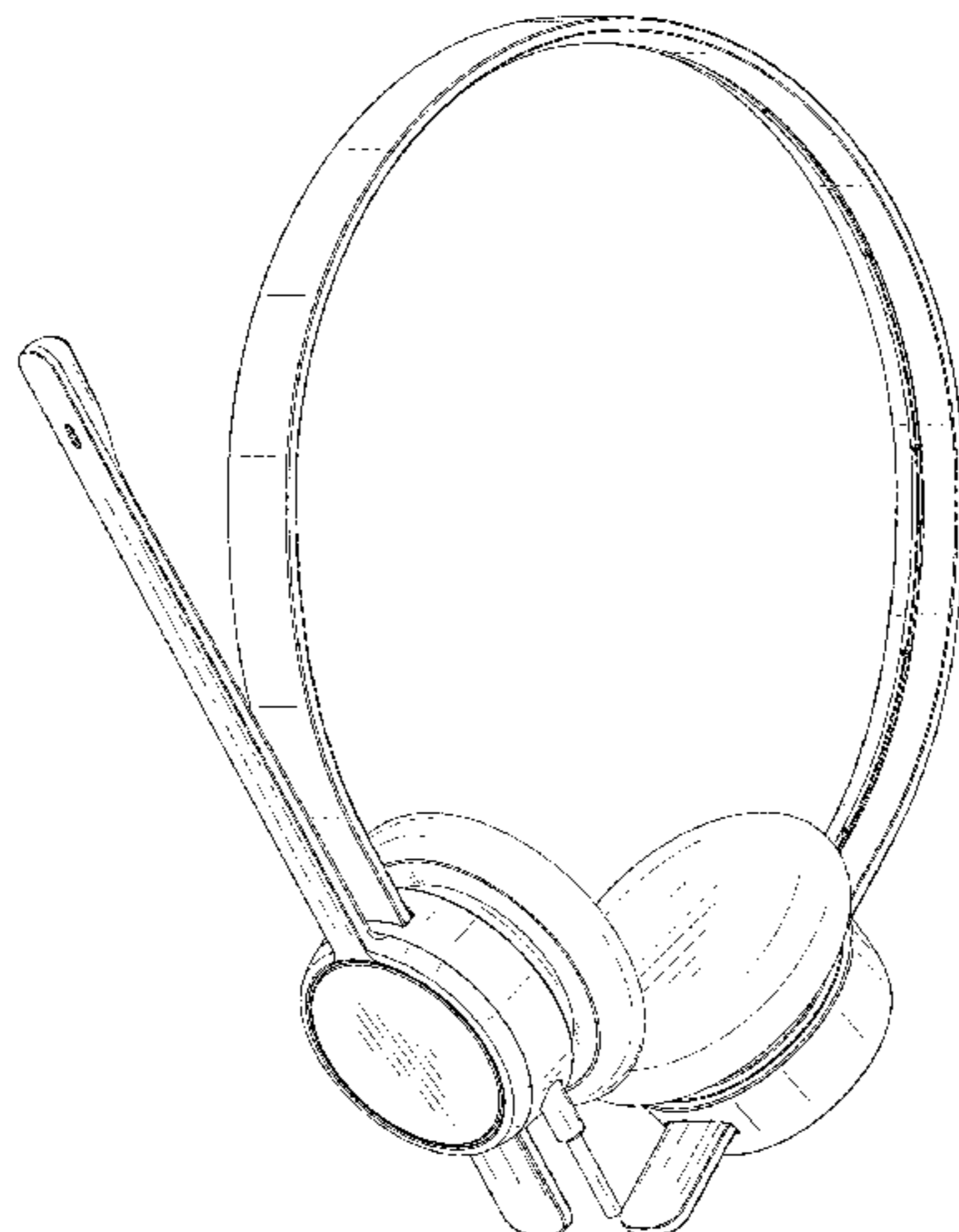
(57) **CLAIM**

The ornamental design for a headset, as shown and described.

DESCRIPTION

FIG. 1 is a perspective view of a headset showing my new design;
FIG. 2 is a front elevational view thereof;
FIG. 3 is a left side elevational view thereof;
FIG. 4 is a right side elevational view thereof;
FIG. 5 is a top plan view thereof;
FIG. 6 is a bottom plan view thereof; and,
FIG. 7 is a rear perspective view thereof.

1 Claim, 7 Drawing Sheets



(56)

References Cited

U.S. PATENT DOCUMENTS

5,117,465 A	5/1992	MacDonald	
D328,074 S	7/1992	Yamazaki et al.	
D337,587 S	7/1993	Nakayama	
D338,010 S	8/1993	Yamatogi	
D346,802 S	5/1994	Sacherman et al.	
5,369,857 A	12/1994	Sacherman et al.	
D357,481 S	4/1995	Giuntoli et al.	
5,469,505 A	11/1995	Gathey et al.	
D377,020 S	12/1996	Bungardt et al.	
5,706,359 A	1/1998	Chang	
D394,437 S	5/1998	Landreth et al.	
5,822,798 A *	10/1998	Baxley	A45D 8/34 2/182.6
5,887,286 A *	3/1999	Waldron	A61F 11/14 181/129
6,038,329 A	3/2000	Lee	
D430,140 S	8/2000	Roman	
D432,526 S	10/2000	Claesson	
6,154,539 A	11/2000	Pitel	
6,246,766 B1	6/2001	Walsh	
D447,472 S	9/2001	McGugan	
D464,943 S	10/2002	Lai	
D471,906 S	5/2003	Salazar et al.	
6,560,346 B2	5/2003	Ohta et al.	
D478,901 S	8/2003	Rath et al.	
D480,072 S	9/2003	Ham	
6,622,029 B1	9/2003	Skulley et al.	
6,625,293 B1	9/2003	Nageno et al.	
D481,364 S	10/2003	Kosumsuppamala et al.	
D482,019 S	11/2003	Petersen et al.	
D484,137 S	12/2003	Wikel et al.	
D488,146 S	4/2004	Minto	
D494,154 S *	8/2004	Polito	D14/206
D494,571 S	8/2004	Polito	
D494,957 S	8/2004	Rath et al.	
D498,470 S	11/2004	Skulley et al.	
D504,419 S	4/2005	Bey et al.	
D504,887 S	5/2005	Skulley	
D505,411 S	5/2005	Sakai	
D505,413 S	5/2005	Skulley et al.	
D505,414 S	5/2005	Ko et al.	
6,952,481 B2	10/2005	Larsen et al.	
D511,492 S	11/2005	Allende Fritsch	
D514,086 S	1/2006	Skulley	
D517,527 S *	3/2006	Suzuki	D14/205
D517,528 S	3/2006	Skulley	
D518,474 S *	4/2006	Suzuki	D14/205
D518,479 S	4/2006	Skulley	
D519,990 S	5/2006	Lazor	
D520,464 S	5/2006	Strong et al.	
7,062,059 B1	6/2006	Bobisuthi	
7,106,877 B1	9/2006	Linville	
D529,267 S	10/2006	Portzline	
D529,900 S	10/2006	Skulley et al.	
D530,307 S	10/2006	Rath	
D530,702 S	10/2006	Pritchard et al.	
D531,165 S	10/2006	Rath	
7,120,268 B2	10/2006	Murozaki	
D535,980 S	1/2007	Bentley et al.	
D537,813 S	3/2007	Hoehn et al.	
D537,815 S	3/2007	Bentley et al.	
D538,785 S	3/2007	Skulley	
D539,267 S	3/2007	Komiyama	
7,190,330 B2	3/2007	Travers et al.	
D539,788 S	4/2007	Thompson et al.	
D539,789 S	4/2007	Rausch et al.	
D540,303 S	4/2007	Rausch et al.	
D540,778 S	4/2007	Thompson et al.	
D541,256 S	4/2007	Rausch et al.	
D554,116 S	10/2007	Liu et al.	
D563,382 S *	3/2008	Wikel	D14/205
D568,808 S	5/2008	Hamasaki	
D571,354 S *	6/2008	Ng	D14/205
7,391,863 B2	6/2008	Viduya et al.	
D572,188 S	7/2008	Prat-Pfister	
D574,368 S	8/2008	Chapman	
D578,508 S	10/2008	Wang	
D581,371 S	11/2008	Richmond	
D587,683 S	3/2009	Ham et al.	
D587,684 S	3/2009	Ham et al.	
D588,100 S	3/2009	Densho et al.	
7,505,793 B2	3/2009	Ryann	
D589,932 S	4/2009	Komiyama	
D591,263 S	4/2009	Shimizu	
7,519,196 B2	4/2009	Bech	
D592,640 S	5/2009	Tkachuk	
D601,543 S	10/2009	Bentley	
D602,001 S	10/2009	Bentley	
D602,908 S	10/2009	Ham et al.	
D603,371 S	11/2009	Boateng et al.	
D606,048 S	12/2009	Soetejo et al.	
D608,351 S	1/2010	Song	
D609,694 S *	2/2010	Komiyama	D14/205
D617,780 S	6/2010	Jaakkola et al.	
D620,474 S *	7/2010	Komiyama	D14/205
D625,705 S	10/2010	Ohuri et al.	
D628,189 S	11/2010	Rath	
D632,668 S	2/2011	Brunner et al.	
D635,958 S *	4/2011	Ando	D14/205
7,962,970 B2 *	6/2011	Le Gette	A61F 11/14 2/208
D643,405 S	8/2011	Rath	
D645,847 S	9/2011	Chau	
D648,330 S	11/2011	Fischer	
D657,740 S	4/2012	Prat-Pfister	
D659,106 S	5/2012	Paul	
D663,717 S *	7/2012	Hutchieson	D14/206
D664,116 S *	7/2012	Hutchieson	D14/205
D664,943 S	8/2012	Choi	
D666,168 S	8/2012	Rath	
D669,888 S	10/2012	Gougherty et al.	
D673,523 S	1/2013	Brennwald	
D673,929 S *	1/2013	Combs	D14/205
D676,378 S	2/2013	Kim et al.	
D683,329 S *	5/2013	Hagelin	D14/205
D684,559 S *	6/2013	Groset	D14/205
D684,963 S	6/2013	Goodrich	
D686,593 S *	7/2013	Larsen	D14/205
D687,808 S *	8/2013	Combs	D14/205
D707,655 S	6/2014	Porter	
8,838,029 B2	9/2014	Goldman et al.	
D719,135 S *	12/2014	Kelley	D14/205
D732,002 S	6/2015	Goransson	
D733,113 S	6/2015	Krantz	
9,271,065 B2	2/2016	Lamb et al.	
D760,177 S	6/2016	Gassner	
D765,623 S	9/2016	Yang et al.	
D771,012 S *	11/2016	Wagner	D14/205
D777,166 S	1/2017	Bidwell et al.	
9,609,413 B2	3/2017	Hsiao	
D796,484 S	9/2017	Chen	
D799,449 S	10/2017	Yoon et al.	
D799,450 S	10/2017	Lee et al.	
D806,676 S	1/2018	Fuglsang	
D813,805 S	3/2018	Zhong	
D814,413 S	4/2018	Zhong	
D822,638 S *	7/2018	Liu	D14/206
D824,913 S	8/2018	Bidwell et al.	
D826,851 S	8/2018	Wang	
D827,568 S	9/2018	Turksu et al.	
D827,617 S	9/2018	Dillon	
D830,339 S	10/2018	Yan	
D847,782 S	5/2019	Wernblad	
D847,783 S	5/2019	Wernblad et al.	
D847,784 S	5/2019	Wernblad et al.	
D855,038 S	7/2019	Hu	
2003/0072466 A1	4/2003	Eisenbraun	
2005/0286717 A1	12/2005	Viduya et al.	
2007/0004236 A1	1/2007	Suenaga	
2009/0074196 A1	3/2009	Tiodor et al.	
2011/0135134 A1 *	6/2011	Essabar	H04R 1/1025 381/374
2011/0228925 A1 *	9/2011	Birch	H04M 1/05 379/428.02

(56)

References Cited

U.S. PATENT DOCUMENTS

2011/0306393 A1* 12/2011 Goldman H04M 1/6066
455/575.2
2012/0163616 A1* 6/2012 Birch H04M 1/6058
381/74
2015/0086058 A1 3/2015 Harms et al.
2016/0119702 A1 4/2016 Matsui et al.
2016/0198254 A1* 7/2016 Gecawicz H04R 1/083
381/375

OTHER PUBLICATIONS

Satechi Aluminum Headphone Stand and USB Hub Review, YouTube
online, post date Feb. 6, 2016, <URL: [https://www.youtube.com/
watch?v=bVosH0ADleg](https://www.youtube.com/watch?v=bVosH0ADleg) >, retrieved Apr. 11, 2019.

* cited by examiner

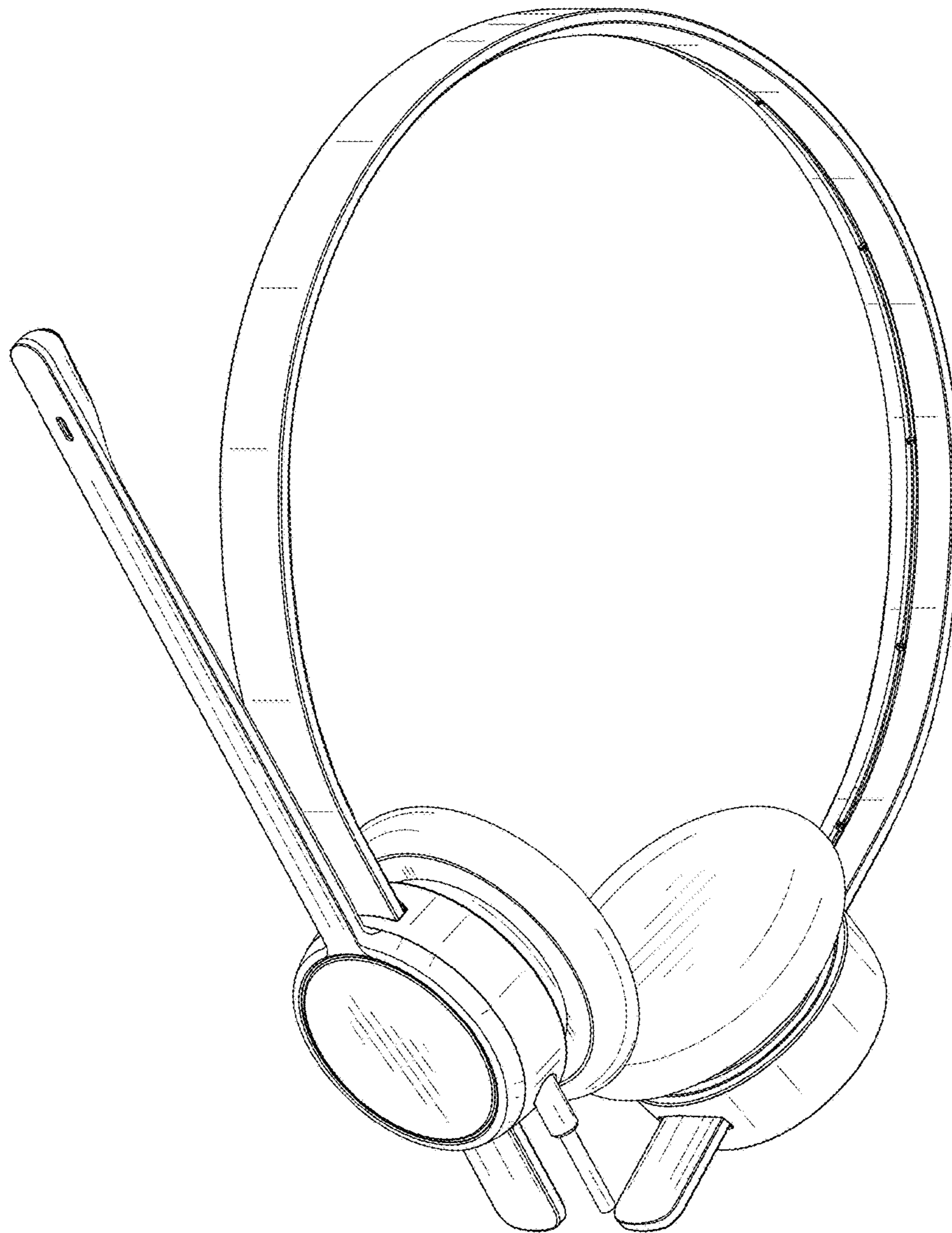


FIG. 1

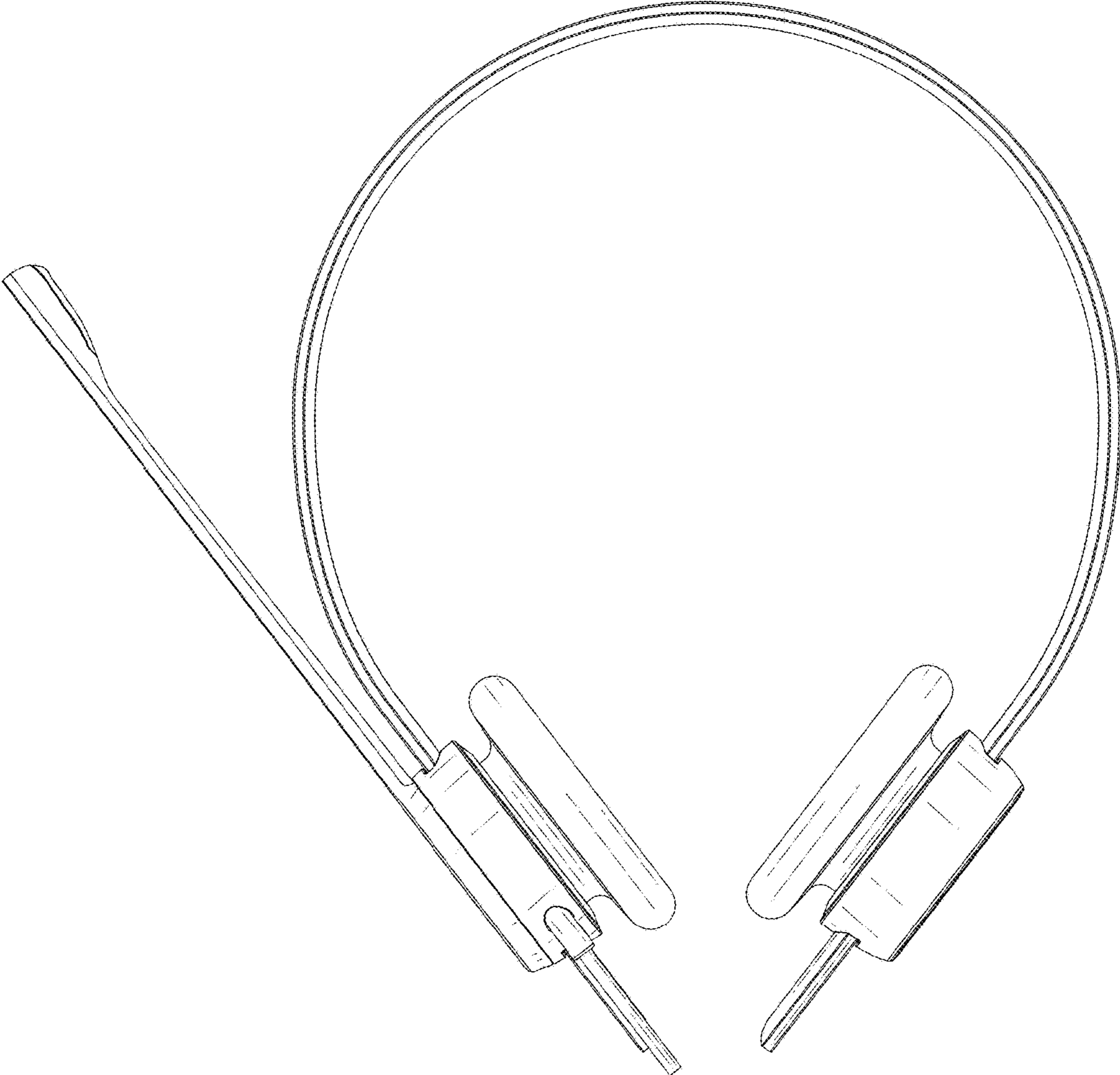


FIG. 2

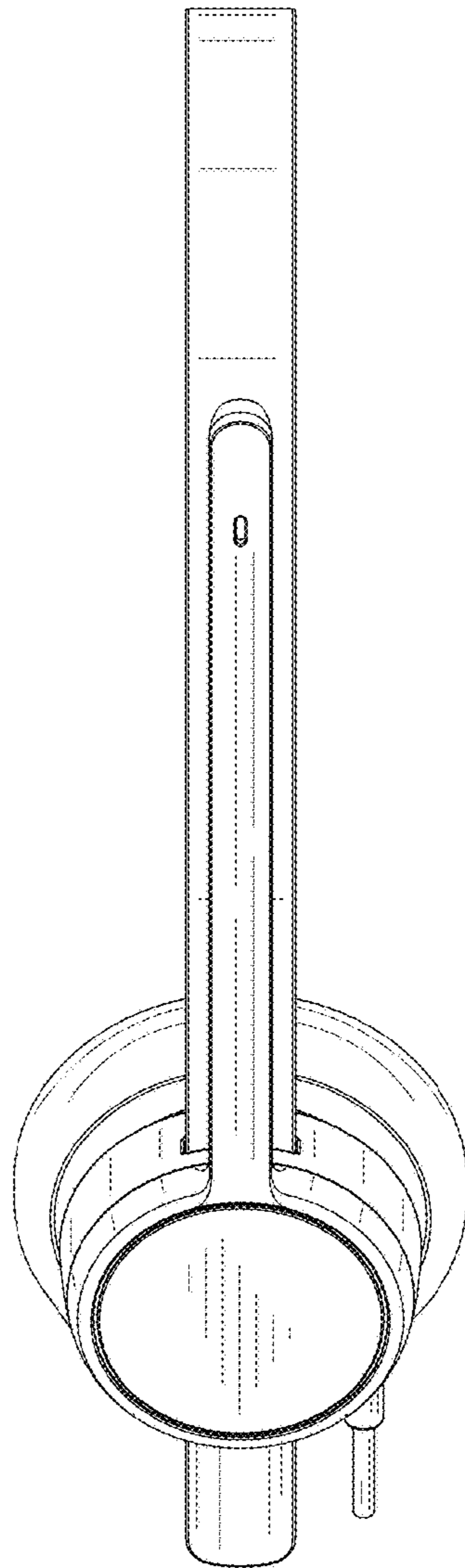


FIG. 3

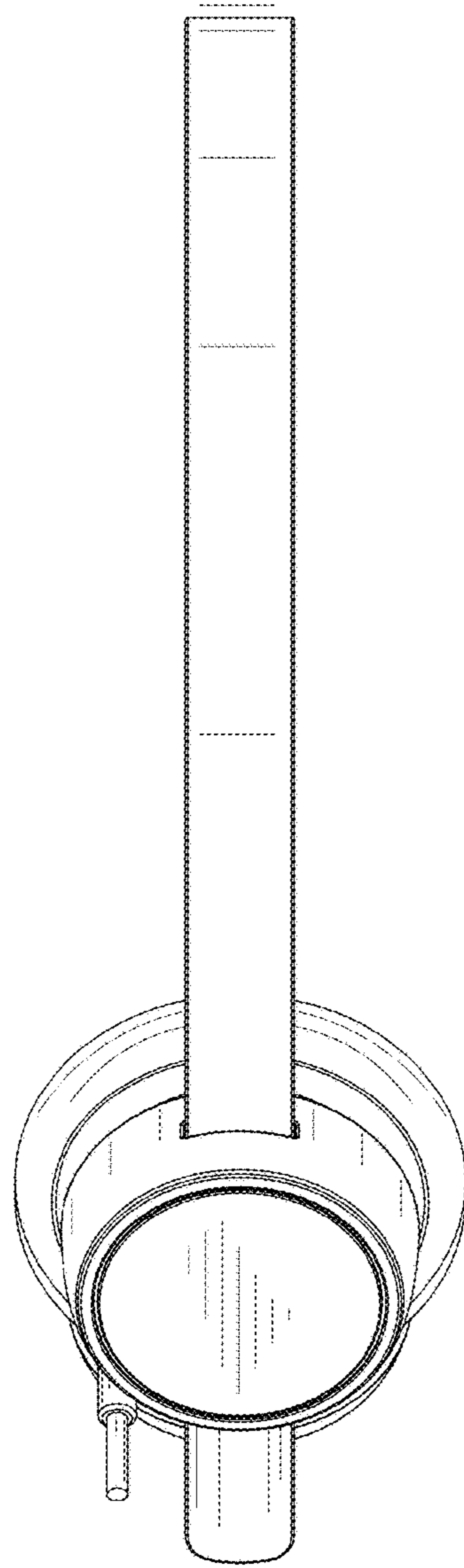


FIG. 4

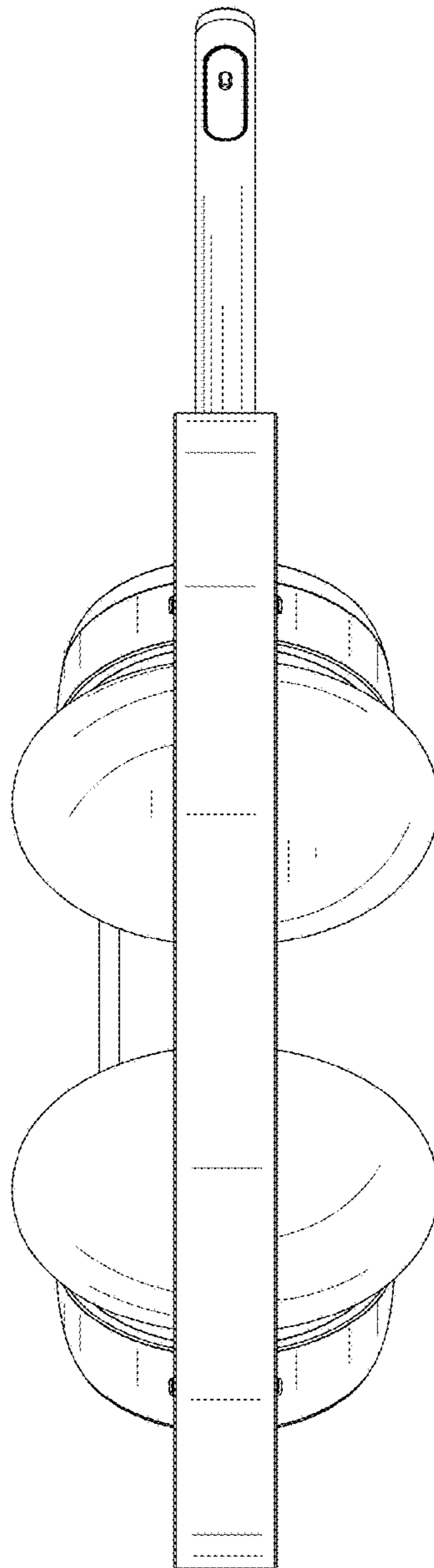


FIG. 5

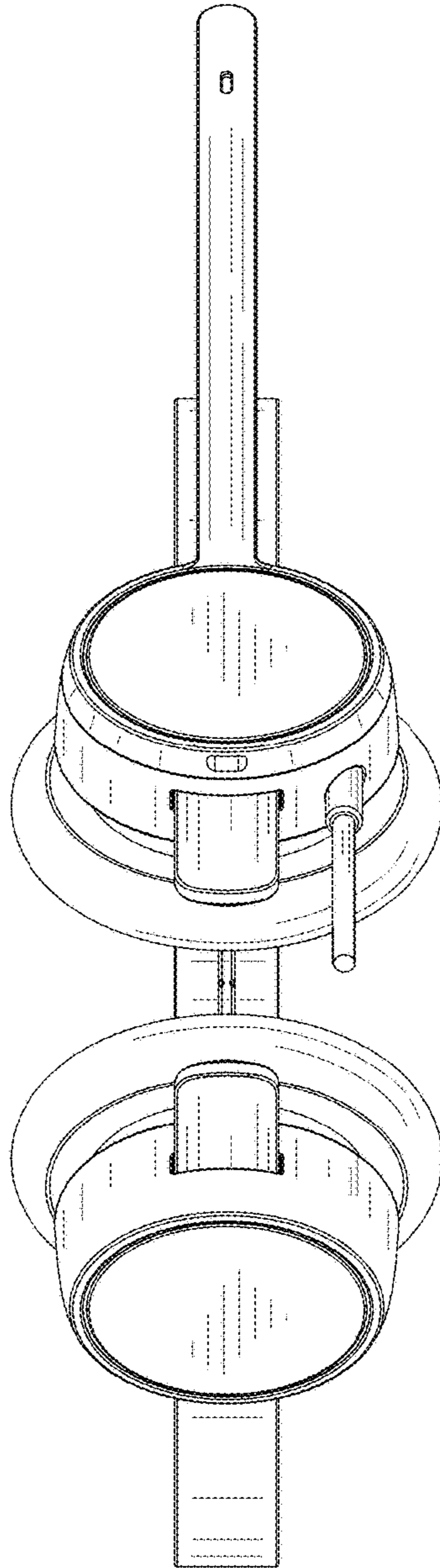


FIG. 6

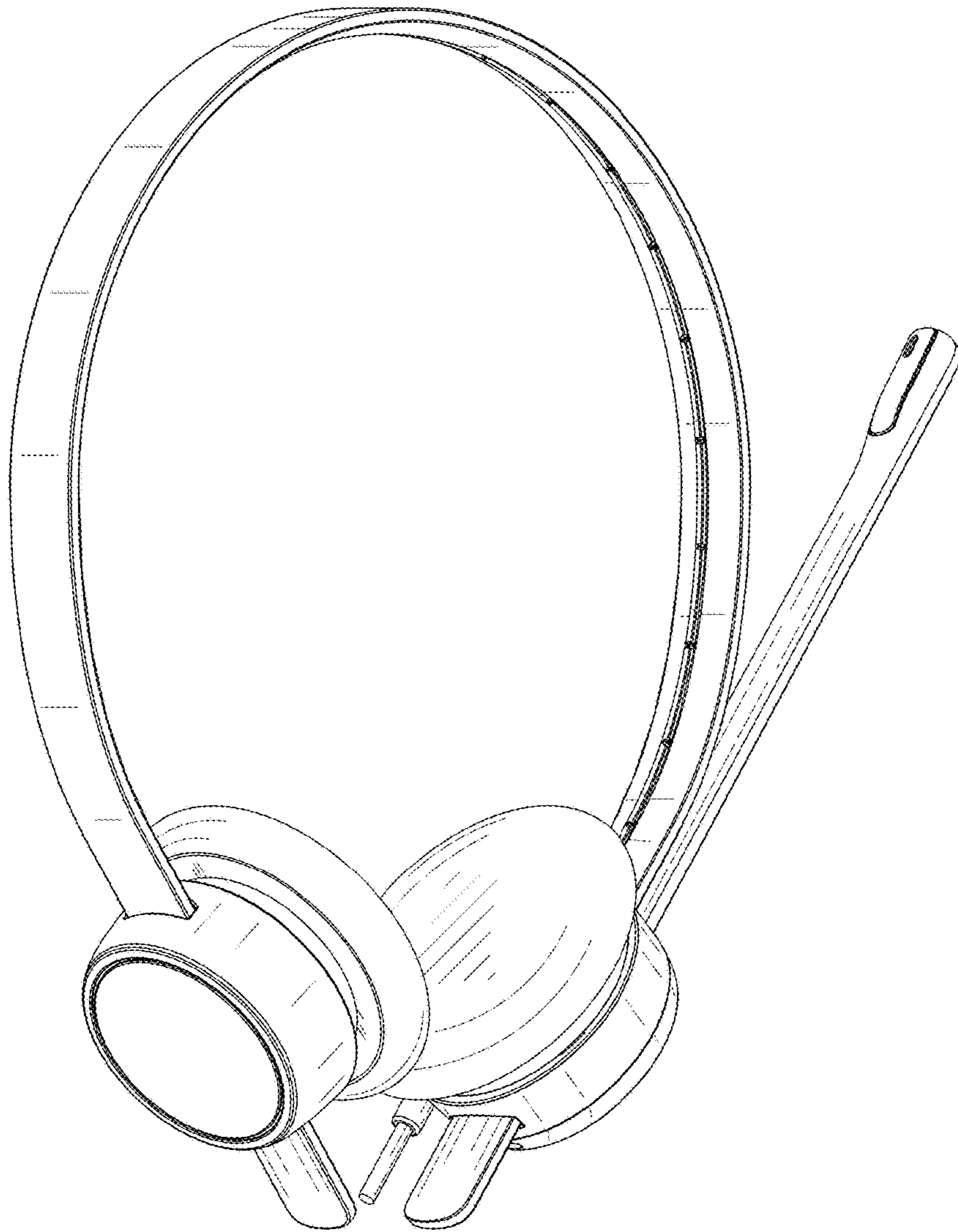


FIG. 7

UNITED STATES PATENT AND TRADEMARK OFFICE
CERTIFICATE OF CORRECTION

PATENT NO. : D866,509 S
APPLICATION NO. : 29/627266
DATED : November 12, 2019
INVENTOR(S) : Jens Christian Lindof

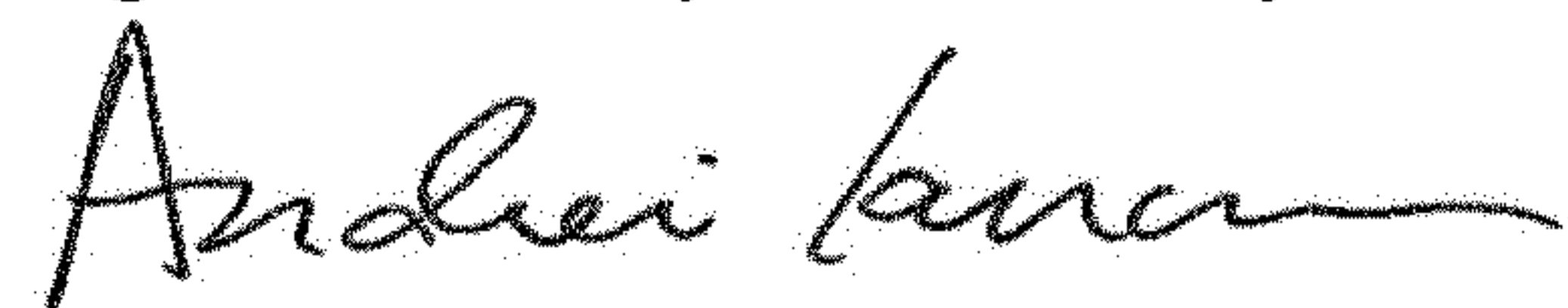
Page 1 of 1

It is certified that error appears in the above-identified patent and that said Letters Patent is hereby corrected as shown below:

On the Title Page

Please insert, -- (30) Foreign Application Priority Data: May 24, 2017 (EM) 004015972 --

Signed and Sealed this
Eighteenth Day of February, 2020



Andrei Iancu
Director of the United States Patent and Trademark Office