

US00D866506S

(12) **United States Design Patent**
Yoshino et al.

(10) **Patent No.:** **US D866,506 S**

(45) **Date of Patent:** **** Nov. 12, 2019**

(54) **HEADPHONE**

(71) Applicant: **Audio-Technica Corporation**, Tokyo (JP)

(72) Inventors: **Mika Yoshino**, Tokyo (JP); **Shohei Araki**, Kanagawa (JP)

(73) Assignee: **AUDIO-TECHNICA CORPORATION**, Tokyo (JP)

(**) Term: **15 Years**

(21) Appl. No.: **29/639,521**

(22) Filed: **Mar. 7, 2018**

(30) **Foreign Application Priority Data**

Sep. 11, 2017 (JP) 2017-019759

(51) **LOC (12) Cl.** **14-01**

(52) **U.S. Cl.**
USPC **D14/205**

(58) **Field of Classification Search**
USPC D14/205, 188, 192; D29/112; 2/209;
181/129, 130, 135; 379/430, 431;
381/380, 381, 374, 74; 455/90.3, 575.1,
455/569.1

CPC H04R 25/00; H04R 1/1016; H04R 5/033;
H04R 5/0335; H04R 1/10; H04R 1/1066;
H04R 1/02; H04R 1/105

See application file for complete search history.

(56) **References Cited**

U.S. PATENT DOCUMENTS

- 3,454,964 A * 7/1969 Brinkoff A61F 11/14
2/209
- D229,833 S * 1/1974 Woodbury D14/205
- 3,815,155 A * 6/1974 Davison A42B 3/166
2/209
- 5,018,599 A * 5/1991 Dohi H04R 1/1008
181/129

5,068,923 A * 12/1991 Sjoqvist A61F 11/14
181/129

5,406,037 A * 4/1995 Nageno H04R 5/0335
181/129

D410,466 S * 6/1999 Mouri D14/205

D484,485 S * 12/2003 Matsuoka D14/205

D491,163 S * 6/2004 Green D14/205

D512,708 S * 12/2005 Harris, Jr. D14/205

(Continued)

FOREIGN PATENT DOCUMENTS

CN 304992470 * 1/2019

Primary Examiner — Paula Allen Greene

(74) *Attorney, Agent, or Firm* — W&C IP

(57) **CLAIM**

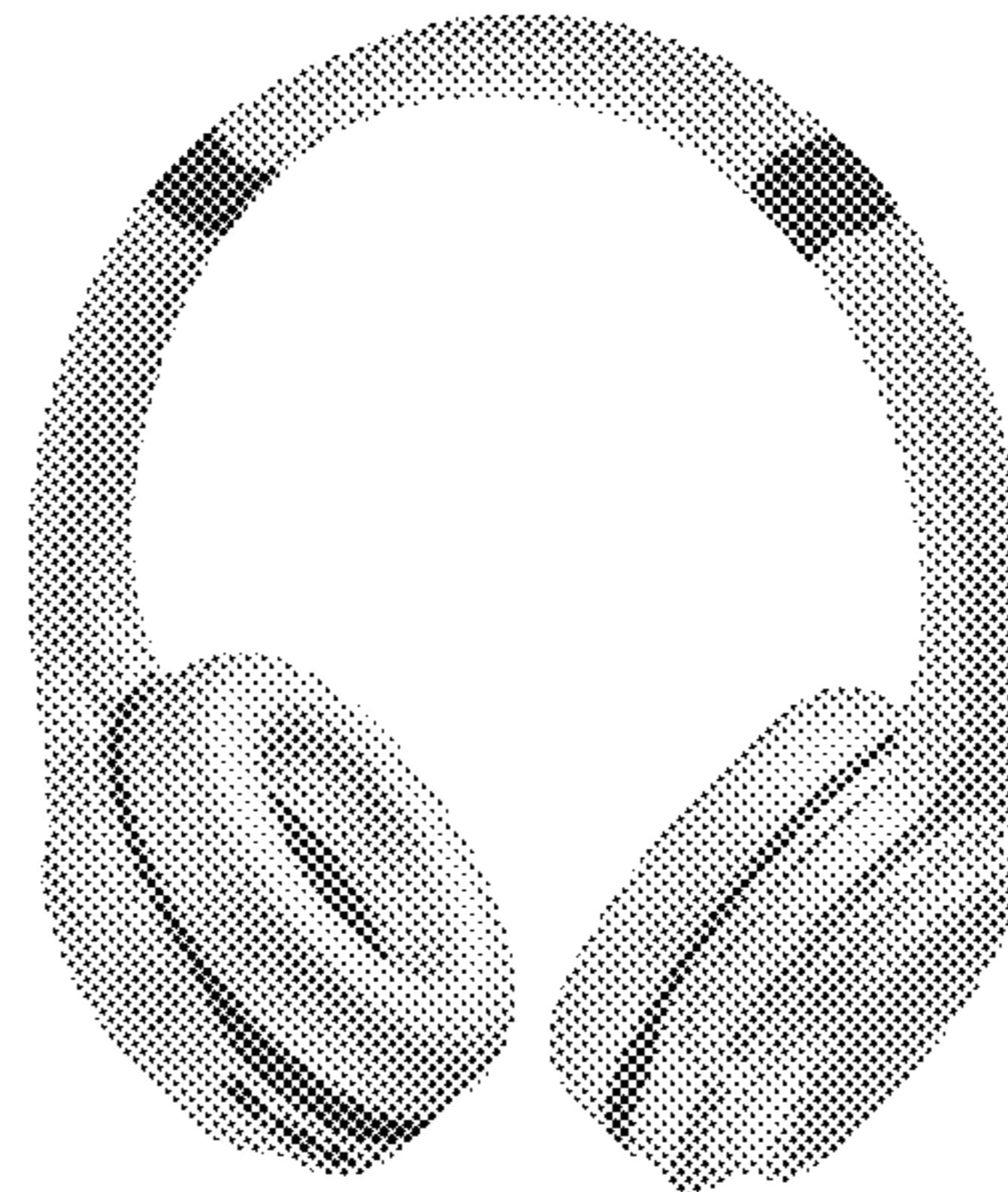
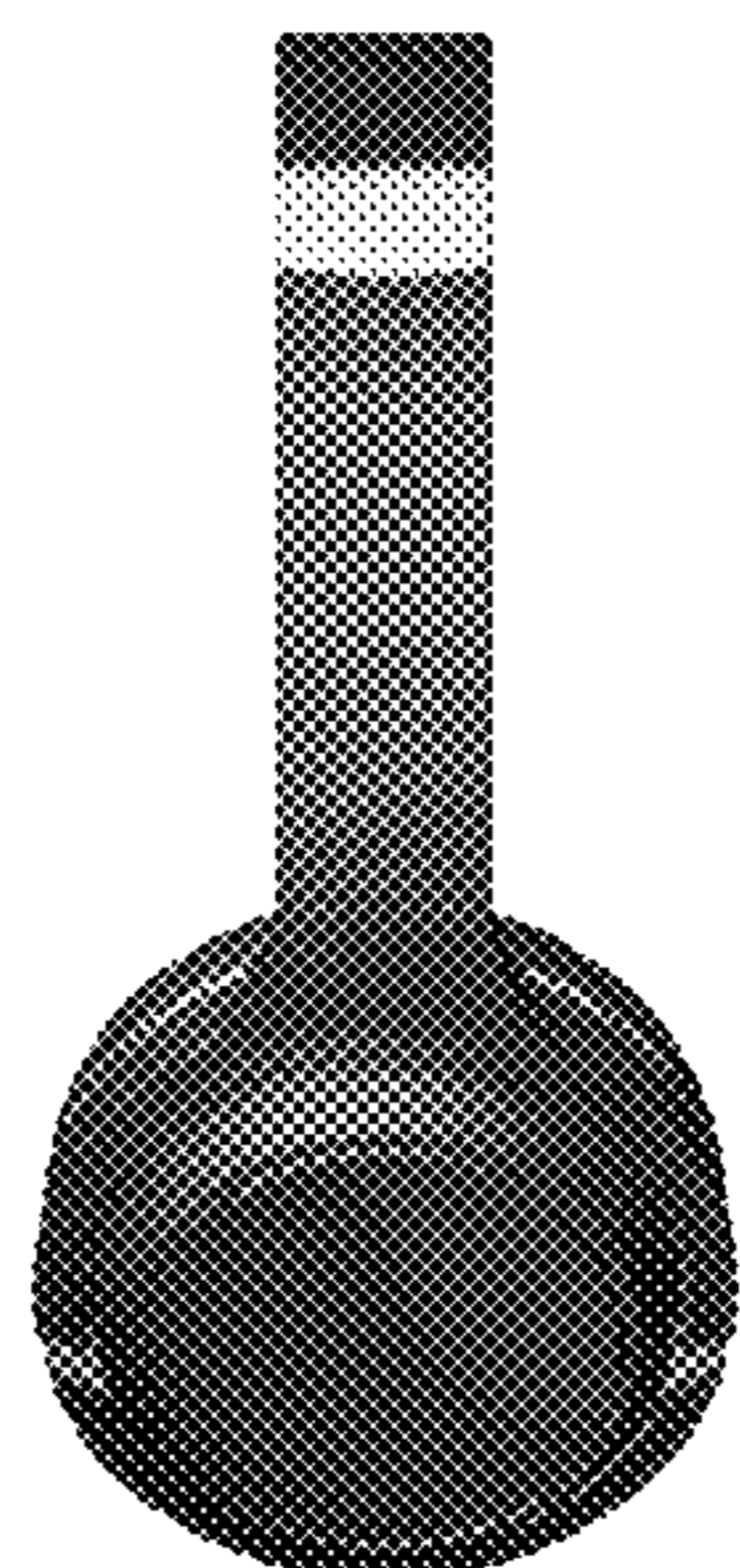
The ornamental design for a headphone, as shown and described.

DESCRIPTION

The patent or application file contains at least one drawing executed in color. Copies of this patent or patent application publication with color drawing(s) will be provided by the Office upon request and payment of the necessary fee.

- FIG. 1 is a perspective view of a headphone;
- FIG. 2 is a front elevational view of the headphone;
- FIG. 3 is a rear elevational view of the headphone;
- FIG. 4 is a top plan view of the headphone;
- FIG. 5 is a bottom plan view of the headphone;
- FIG. 6 is a left side elevational view of the headphone;
- FIG. 7 is a right side elevational view of the headphone;
- FIG. 8 is a first reference perspective view of the headphone, the only difference being the color;
- FIG. 9 is a second reference perspective view of the headphone, the only difference being the color; and,
- FIG. 10 is a third reference perspective view of the headphone, the only difference being the color.

1 Claim, 10 Drawing Sheets
(2 of 10 Drawing Sheet(s) Filed in Color)



(56)

References Cited

U.S. PATENT DOCUMENTS

D532,407 S * 11/2006 Motoishi D14/205
 D540,301 S * 4/2007 Obata D14/205
 D541,255 S * 4/2007 Taylor D14/205
 D563,382 S * 3/2008 Wikel D14/205
 7,388,960 B2 * 6/2008 Kuo H04R 1/1041
 379/430
 D573,581 S * 7/2008 Gondo D14/205
 D581,394 S * 11/2008 Lee D14/205
 D585,871 S * 2/2009 Lee D14/205
 D592,639 S * 5/2009 Kuh D14/205
 D594,847 S * 6/2009 Suzuki D14/205
 D620,474 S * 7/2010 Komiyama D14/205
 D635,959 S * 4/2011 Hutchieson D14/205
 D639,776 S * 6/2011 Arimoto D14/205
 8,098,872 B2 * 1/2012 Chang H04R 1/1075
 381/370
 D665,775 S * 8/2012 Katsumata D14/205
 8,325,962 B2 * 12/2012 Ishida H04R 5/0335
 381/370
 D677,243 S * 3/2013 Kitayama D14/205
 D678,860 S * 3/2013 Hagelin D14/205
 D683,329 S * 5/2013 Hagelin D14/205
 D691,579 S * 10/2013 Lee D14/205
 D705,750 S * 5/2014 Wu H04R 1/1066
 D14/205
 D706,240 S * 6/2014 Szymanski H04R 1/1066
 D14/205

D706,241 S * 6/2014 Szymanski H04R 1/1066
 D14/205
 D716,762 S * 11/2014 Greve D14/206
 D719,136 S * 12/2014 Schaal D14/205
 D721,052 S * 1/2015 Carr D14/205
 D729,194 S * 5/2015 Boeckel D14/205
 D734,297 S * 7/2015 Sasaki D14/205
 D737,799 S * 9/2015 Carr D14/205
 D741,289 S * 10/2015 Schaal D14/205
 D758,337 S * 6/2016 Szymanski D14/205
 D761,761 S * 7/2016 Ando D14/205
 D765,055 S * 8/2016 Hsieh D14/205
 D767,531 S * 9/2016 Szymanski D14/205
 D776,081 S * 1/2017 Willman D14/205
 D784,298 S * 4/2017 Ozawa D14/223
 D787,470 S * 5/2017 Kelly D14/205
 D800,691 S * 10/2017 Ando D14/205
 D811,365 S * 2/2018 Czaniecki D14/205
 D813,837 S * 3/2018 Paterson D14/205
 D851,627 S * 6/2019 ter Laag D14/205
 D852,163 S * 6/2019 Nagamine D14/205
 D852,776 S * 7/2019 Zhu D14/205
 2008/0069391 A1 * 3/2008 Steyn H04R 1/1025
 381/371
 2010/0310093 A1 * 12/2010 Semcken H04R 1/1058
 381/104
 2013/0177165 A1 * 7/2013 Oishi H04R 1/1041
 381/74
 2014/0363016 A1 * 12/2014 Blonder H04R 1/1025
 381/74

* cited by examiner



Figure 1



Figure 2



Figure 3

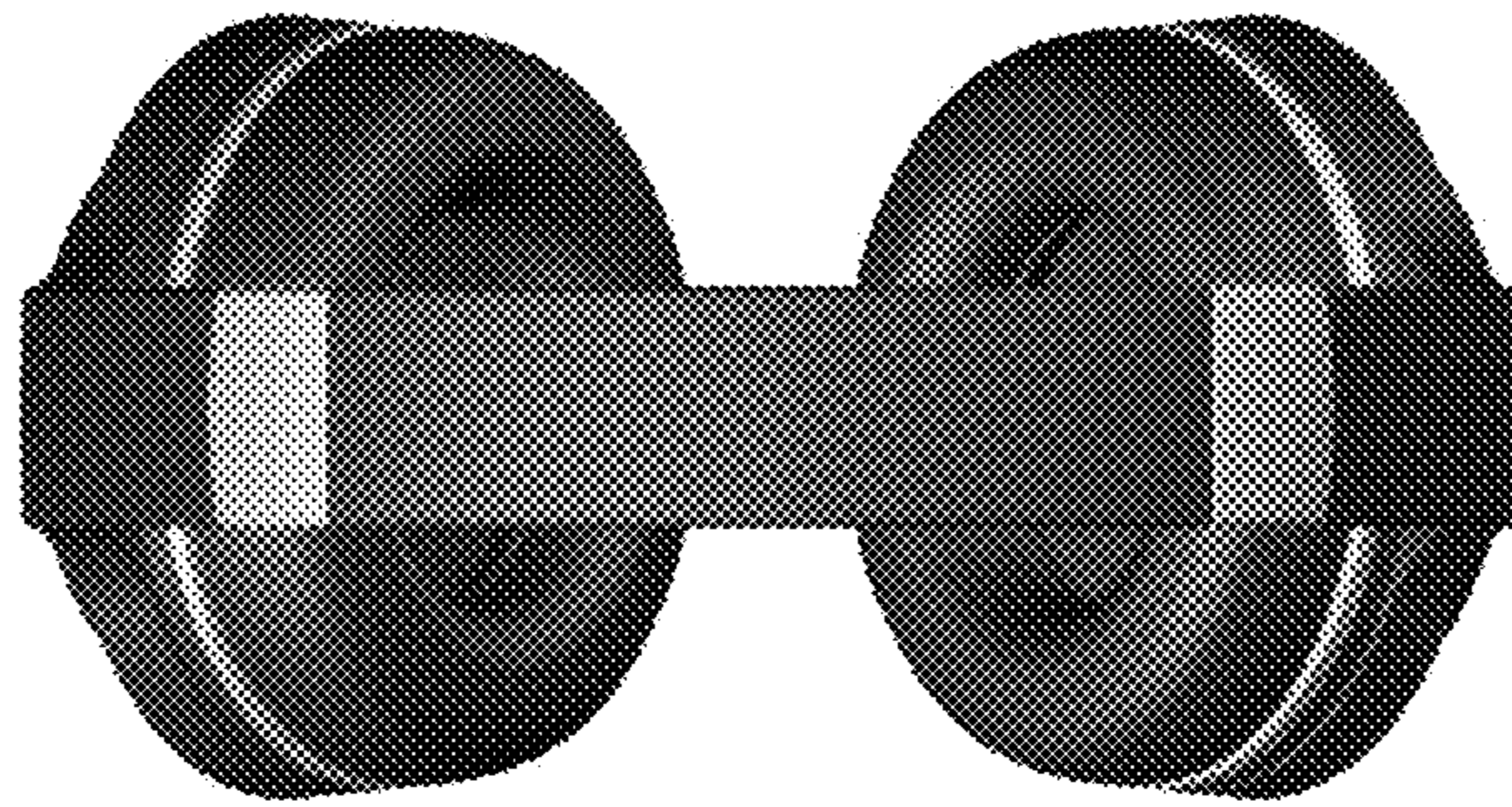


Figure 4

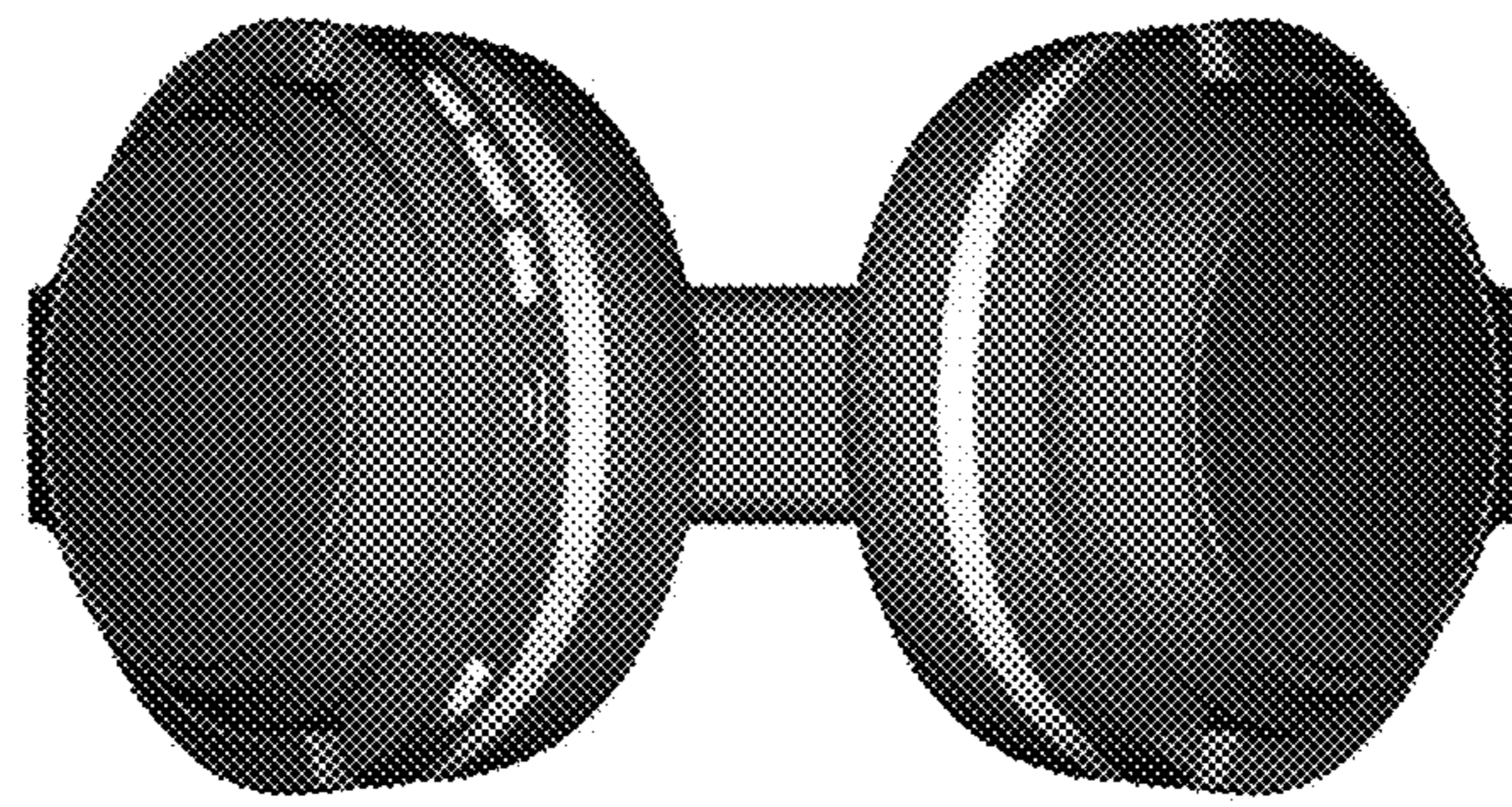


Figure 5



Figure 6



Figure 7



Figure 8



Figure 9



Figure 10