

US00D866505S

(12) **United States Design Patent**
Pavelic

(10) **Patent No.:** **US D866,505 S**

(45) **Date of Patent:** **** Nov. 12, 2019**

(54) **PORTABLE SMART SPEAKER**

(71) Applicant: **Srdjan Pavelic**, Urbandale, IA (US)

(72) Inventor: **Srdjan Pavelic**, Urbandale, IA (US)

(73) Assignee: **Aloha Corporation**, Urbandale, IA (US)

(**) Term: **15 Years**

(21) Appl. No.: **29/648,476**

(22) Filed: **May 22, 2018**

(51) **LOC (12) Cl.** **14-01**

(52) **U.S. Cl.**
USPC **D14/204**

(58) **Field of Classification Search**

USPC D14/167, 168, 170–172, 188, 204, 209.1,
D14/210–216, 219, 221, 222, 224;
181/144, 148, 153, 157, 198; 369/6–12;
381/301–303, 306, 332, 334, 336, 345,
381/361–363, 386–388
CPC G06F 1/1688; G10K 9/22; H04N 5/64;
H04R 1/02; H04R 1/021; H04R 1/025;
H04R 1/026; H04R 1/028; H04R 1/403;
H04R 1/2803; H04R 1/2834; H04R 5/02;
H04R 9/06; H04R 19/013; H04R
2201/021; H04R 2400/00; H04R 2499/11;
H05K 5/00; H05K 5/0086

See application file for complete search history.

(56) **References Cited**

U.S. PATENT DOCUMENTS

D401,582 S	*	11/1998	Gremchuck	D14/210
D431,551 S	*	10/2000	Wegner	D14/210
D470,125 S	*	2/2003	Jordan	D14/212
D471,177 S	*	3/2003	Jordan	D14/212
D471,892 S	*	3/2003	Jordan	D14/212
D475,695 S	*	6/2003	Petronio	D14/216

(Continued)

OTHER PUBLICATIONS

Alohboomboxes, Instagram.com, Jul. 13, 2018, [online], [site visited Jun. 5, 2019]. URL: https://www.instagram.com/p/BILoJM_npRT/ (Year: 2018).*

(Continued)

Primary Examiner — T Chase Nelson

Assistant Examiner — Jonathan J. Han

(74) *Attorney, Agent, or Firm* — McKee, Voorhees & Sease, PLC

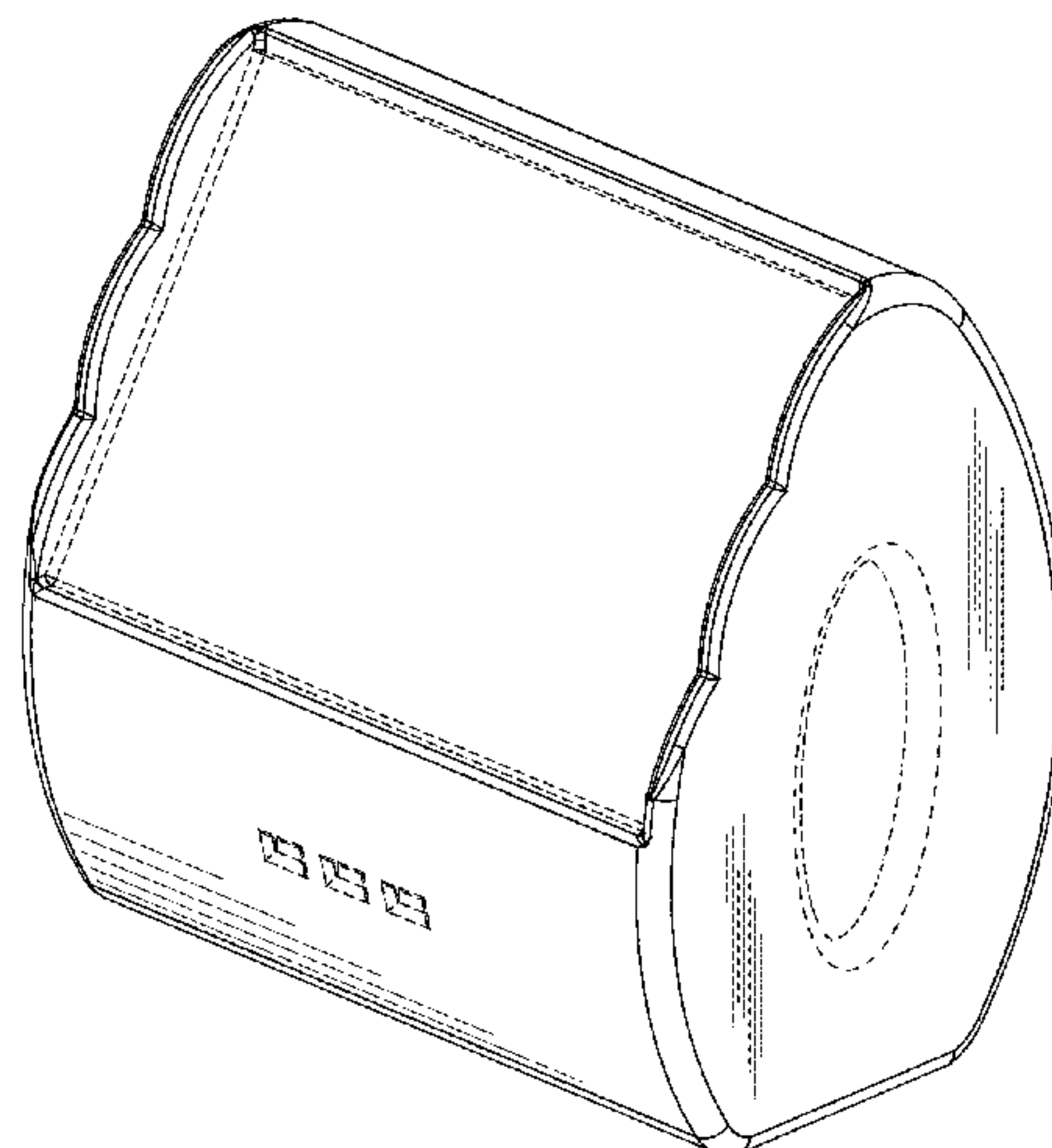
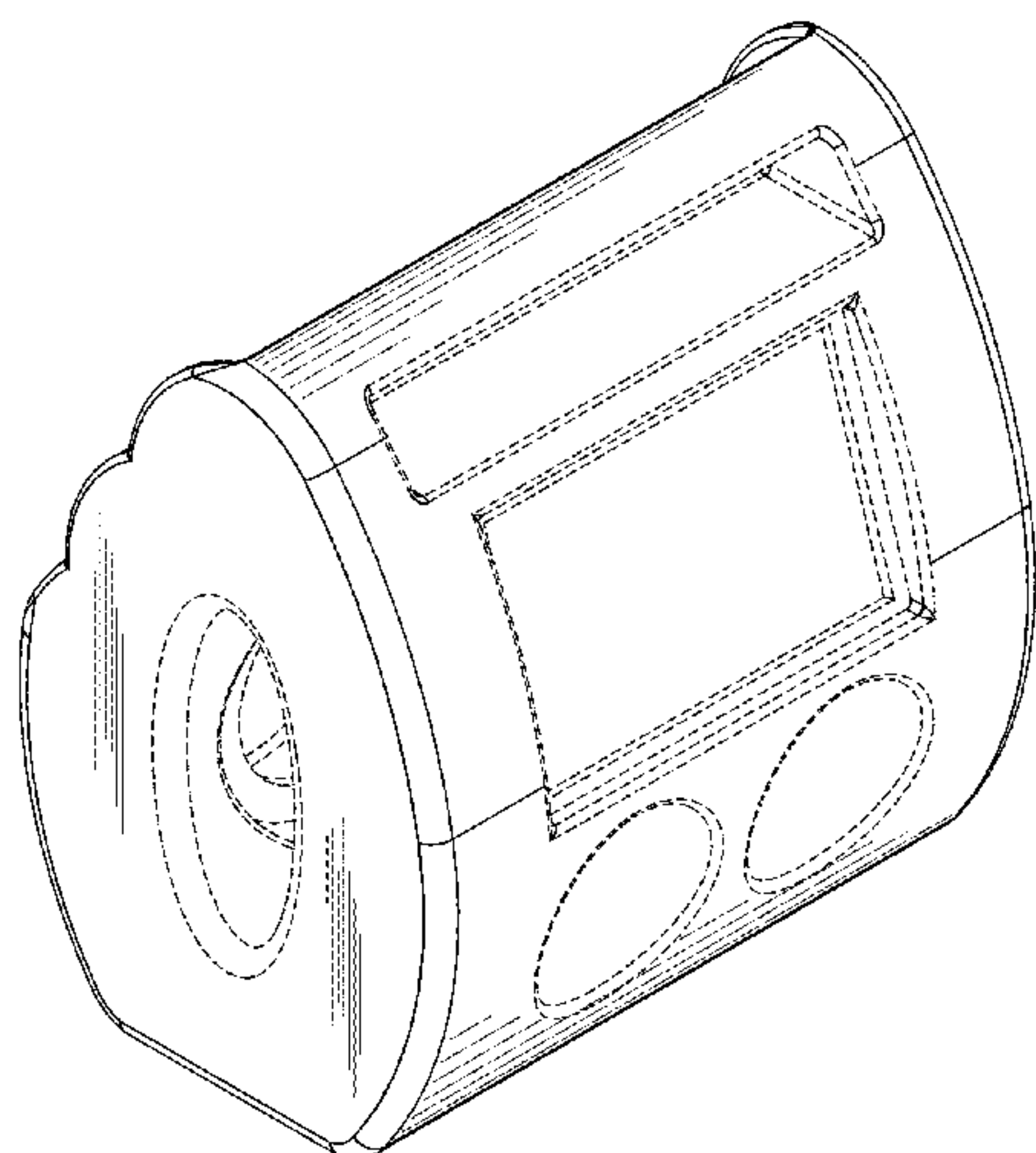
(57) **CLAIM**

I claim the ornamental design for a portable smart speaker, substantially as shown and described.

DESCRIPTION

FIG. 1 is a top, front perspective view of the portable smart speaker;
FIG. 2 is a top, rear perspective view of the portable smart speaker;
FIG. 3 is a bottom, front perspective view of the portable smart speaker;
FIG. 4 is a bottom, rear perspective view of the portable smart speaker;
FIG. 5 is a front elevation view of the portable smart speaker;
FIG. 6 is a rear elevation view of the portable smart speaker;
FIG. 7 is a top plan view of the portable smart speaker;
FIG. 8 is a bottom plan view of the portable smart speaker;
FIG. 9 is a left elevation view of the portable smart speaker;
and,
FIG. 10 is a right elevation view of the portable smart speaker.
The broken lines in the drawings are for illustrating unclaimed portions only and form no part of the claimed design.

1 Claim, 10 Drawing Sheets



(56)

References Cited

U.S. PATENT DOCUMENTS

D480,705 S * 10/2003 Jordan D14/212
 D501,841 S * 2/2005 Hsu D14/168
 D535,976 S * 1/2007 Ng D14/214
 D551,208 S * 9/2007 Yano D14/172
 D552,081 S * 10/2007 Yano D13/110
 D553,120 S * 10/2007 Yano D13/110
 D559,832 S * 1/2008 Poandl D14/212
 D568,869 S * 5/2008 Anthony D14/214
 D568,870 S * 5/2008 Anthony D14/214
 D573,134 S * 7/2008 Milks D14/214
 D594,845 S * 6/2009 Skurdal D10/2
 D638,400 S * 5/2011 Hawkins D14/214
 D642,555 S * 8/2011 Hawkins D14/214
 D645,844 S * 9/2011 McManigal D14/214
 D670,677 S * 11/2012 Pfeifer D14/212
 D673,526 S * 1/2013 Gander D14/214
 D691,591 S * 10/2013 Lum D14/204
 D723,515 S * 3/2015 Ang D14/204
 D726,149 S * 4/2015 Rodgers D14/214
 D726,685 S * 4/2015 Cheng D14/212
 D742,854 S * 11/2015 Warden D14/204

D743,936 S * 11/2015 Cloarec D14/210
 D789,329 S * 6/2017 Tse D14/204
 D795,834 S * 8/2017 Pelland D14/204
 D807,326 S * 1/2018 Justis D14/214
 D836,596 S * 12/2018 Warden D14/204
 2019/0052942 A1 * 2/2019 Pavelic H04R 1/025

OTHER PUBLICATIONS

Aloha 21st Century Boomboxes: a new way to listen to music, ClayAndMilk.com, Jake Slobe, Aug. 7, 2018, [online], [site visited Jun. 5, 2019]. URL: <https://clayandmilk.com/2018/08/07/aloha-21st-century-boomboxes-a-new-way-to-listen-to-music/> (Year: 2018).*

Print your own portable boombox, Blog.PrusaPrinters.org, Jakub Koci, Feb. 8, 2019, [online], [site visited Jun. 5, 2019]. URL: <https://blog.prusaprinters.org/print-your-own-portable-boombox/> (Year: 2019).*

A quick guide to your portable boombox, iLoveSpeakers.com, Aug. 29, 2016, [online], [site visited Jun. 5, 2019]. URL: <http://www.ilovespeakers.com/portable-speakers/quick-guide-portable-boombox/> (Year: 2016).*

* cited by examiner

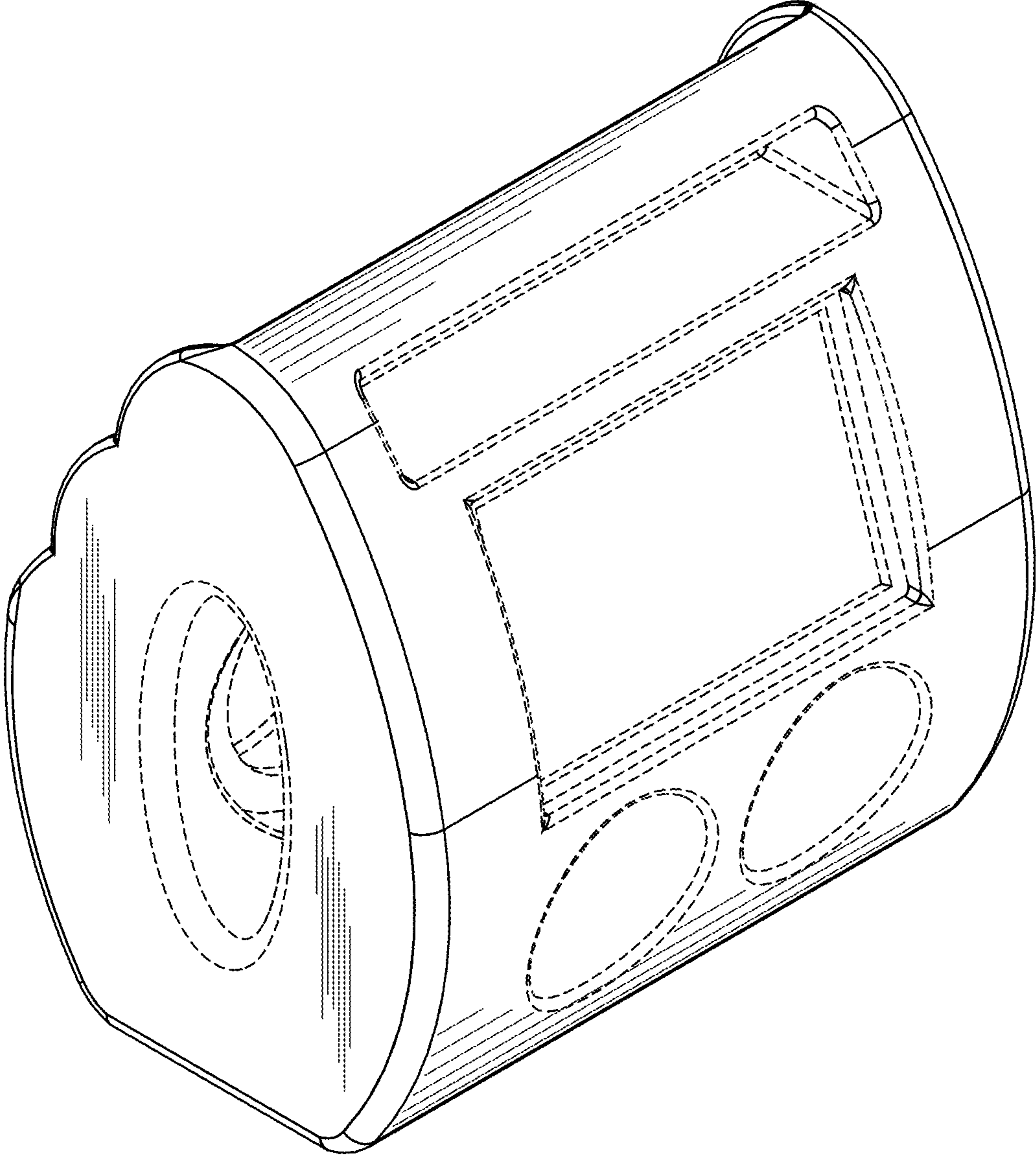


FIG. 1

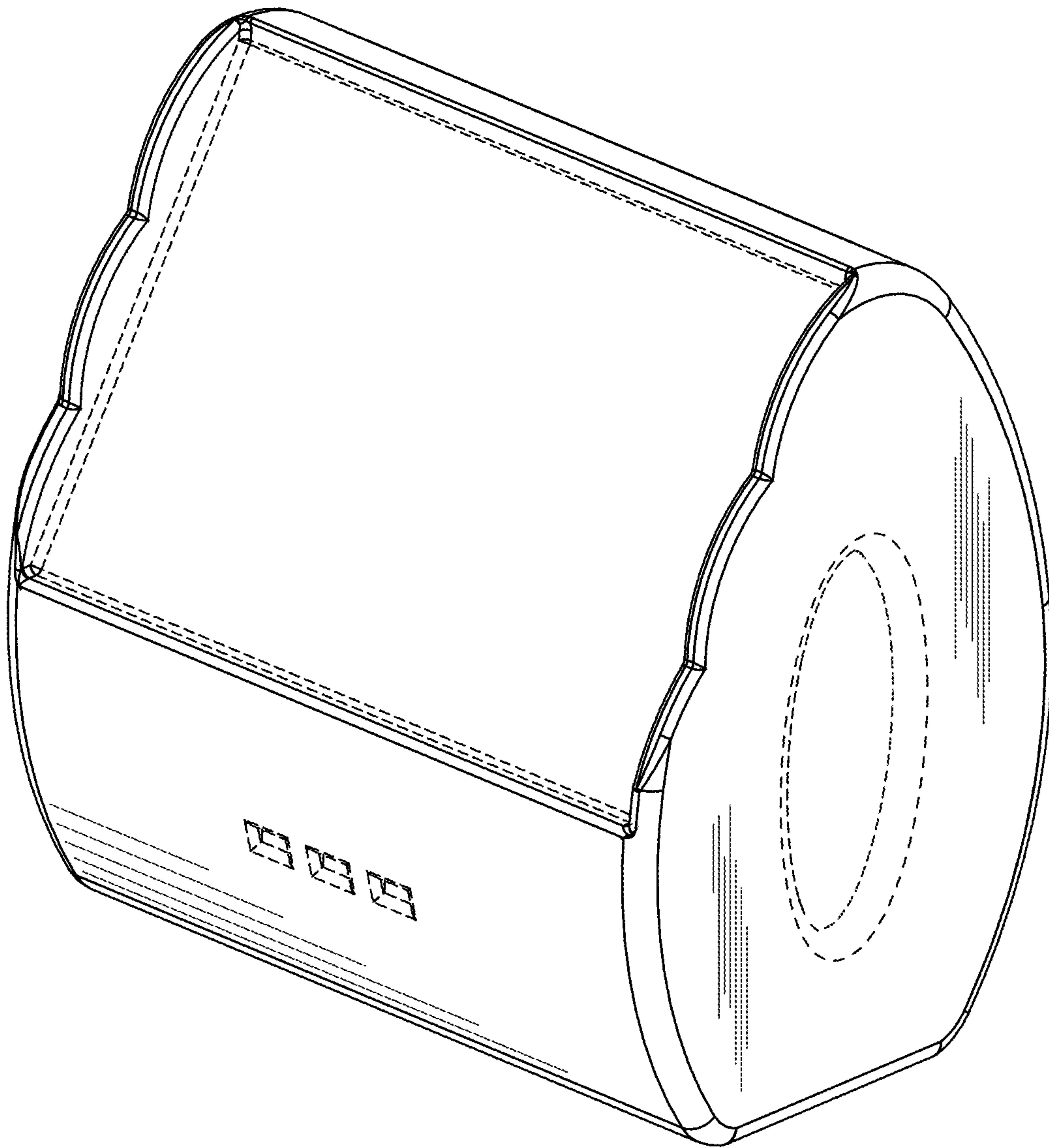


FIG. 2

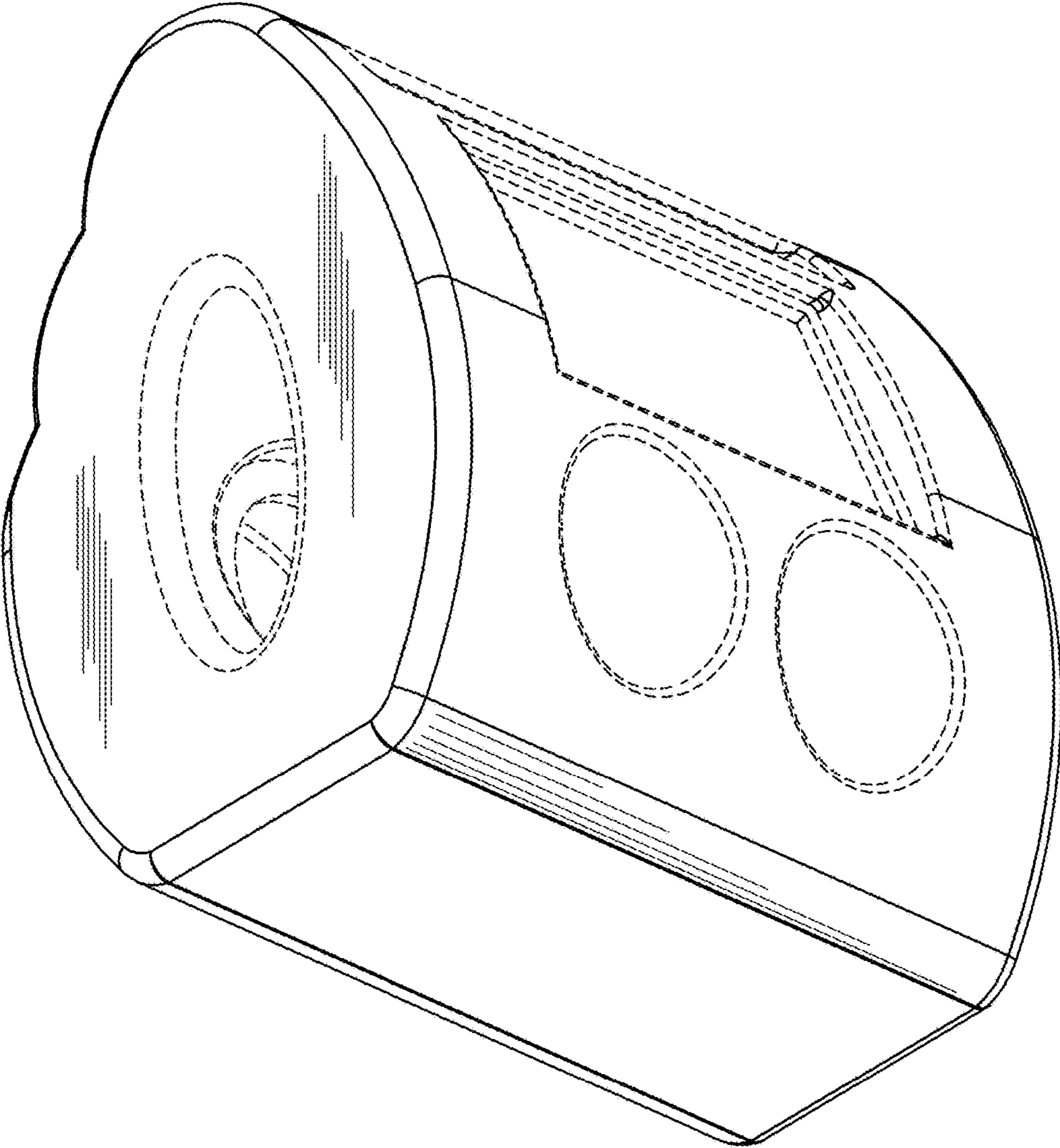


FIG. 3

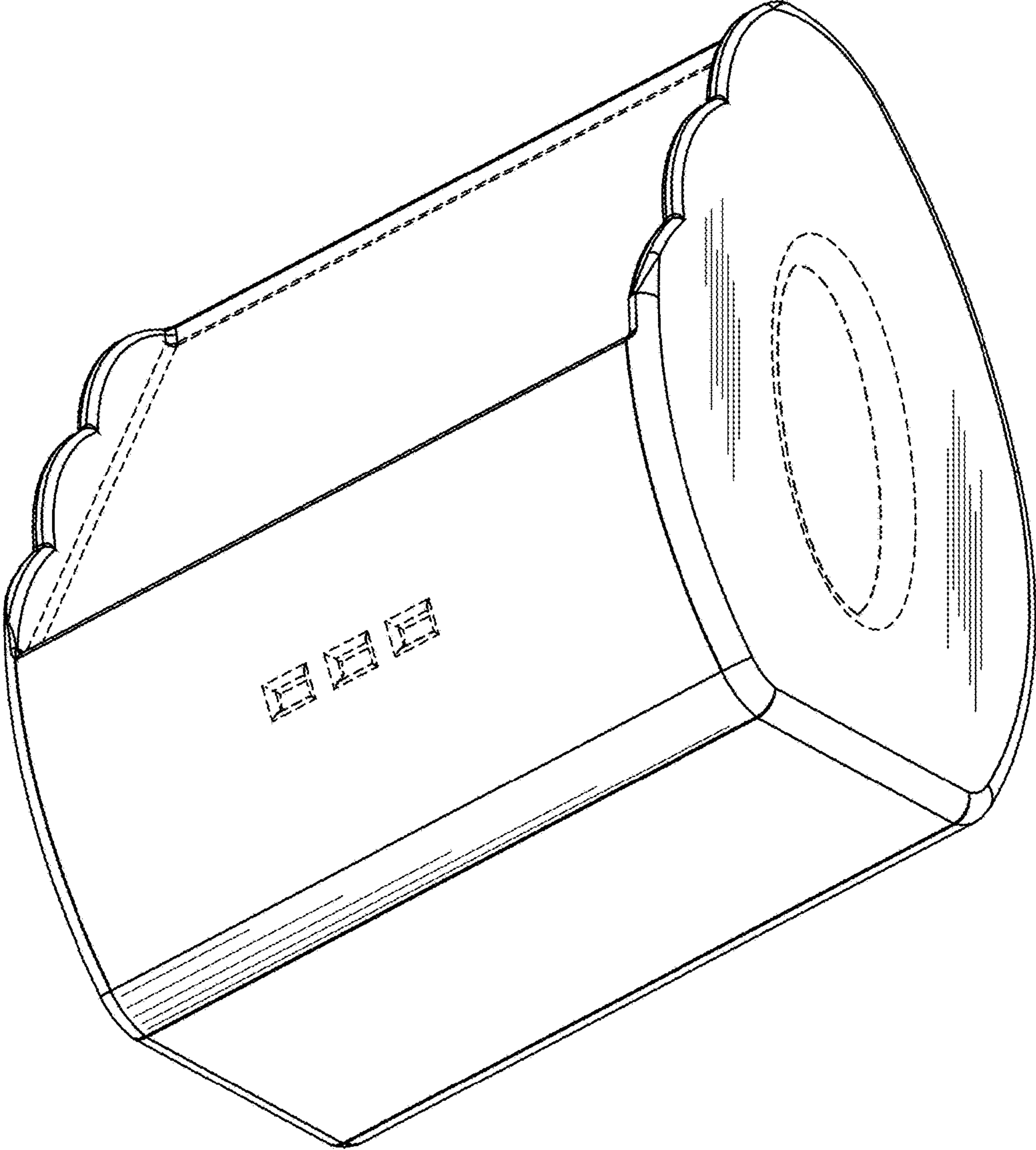


FIG. 4

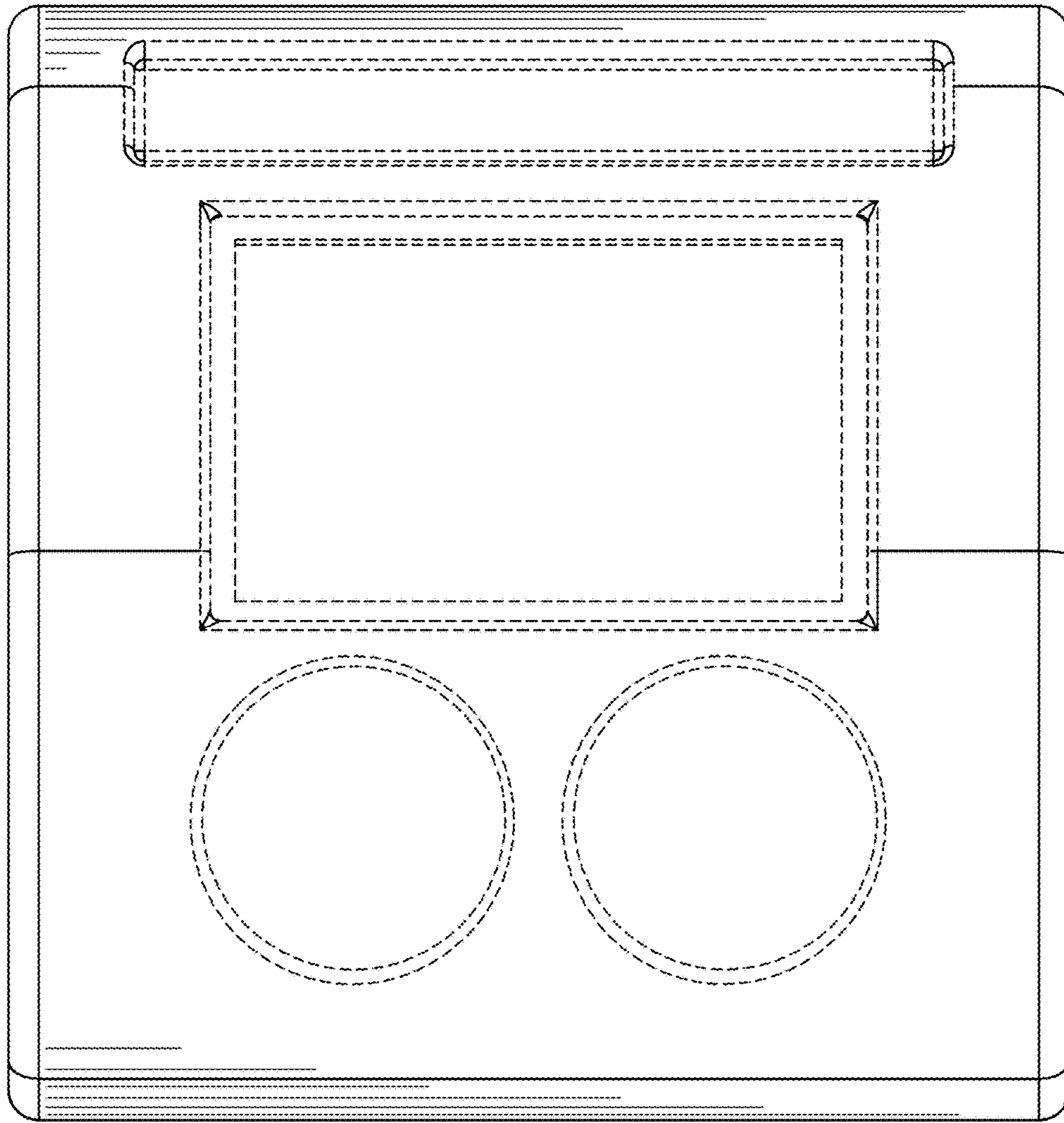


FIG. 5

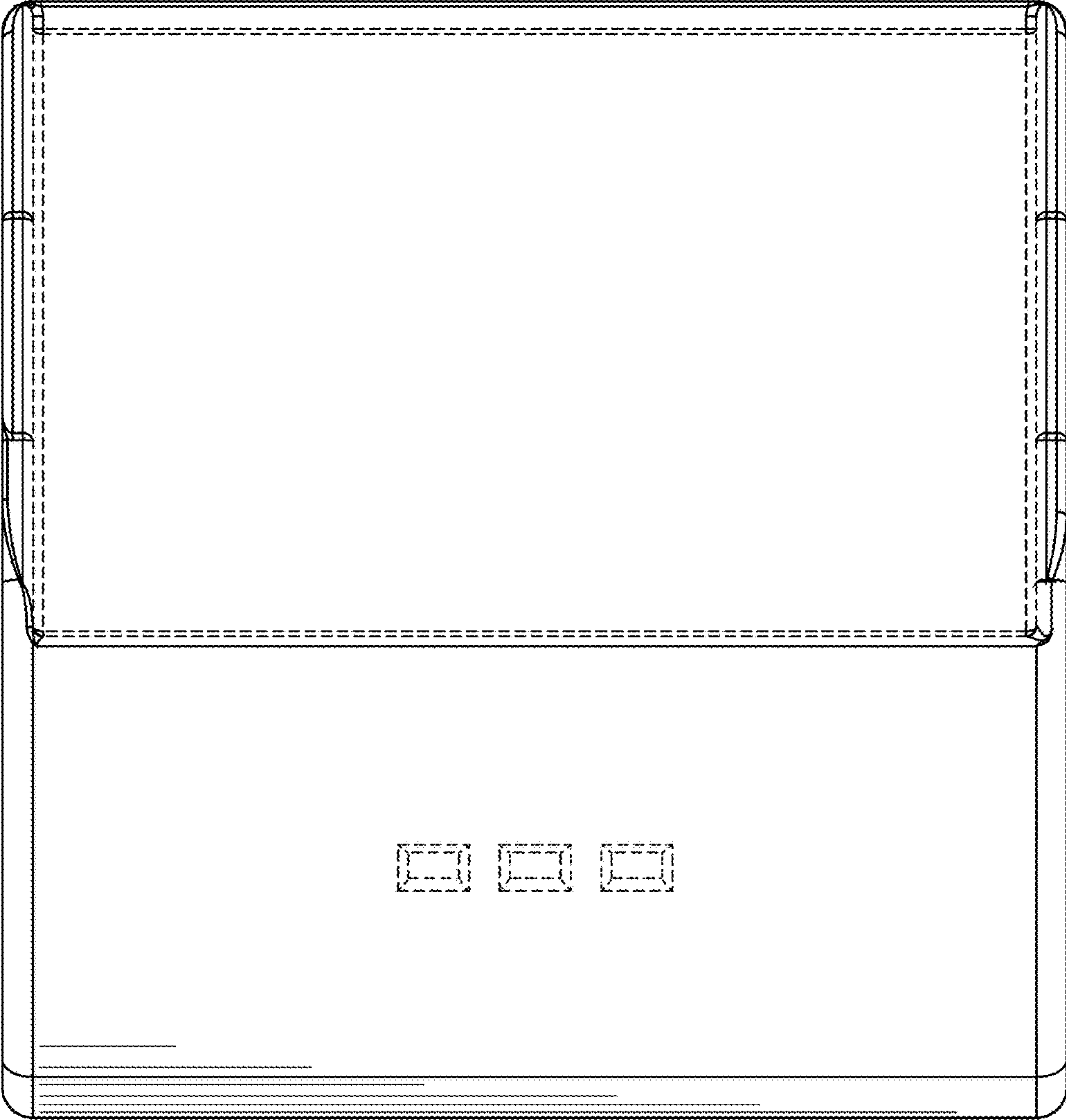


FIG. 6

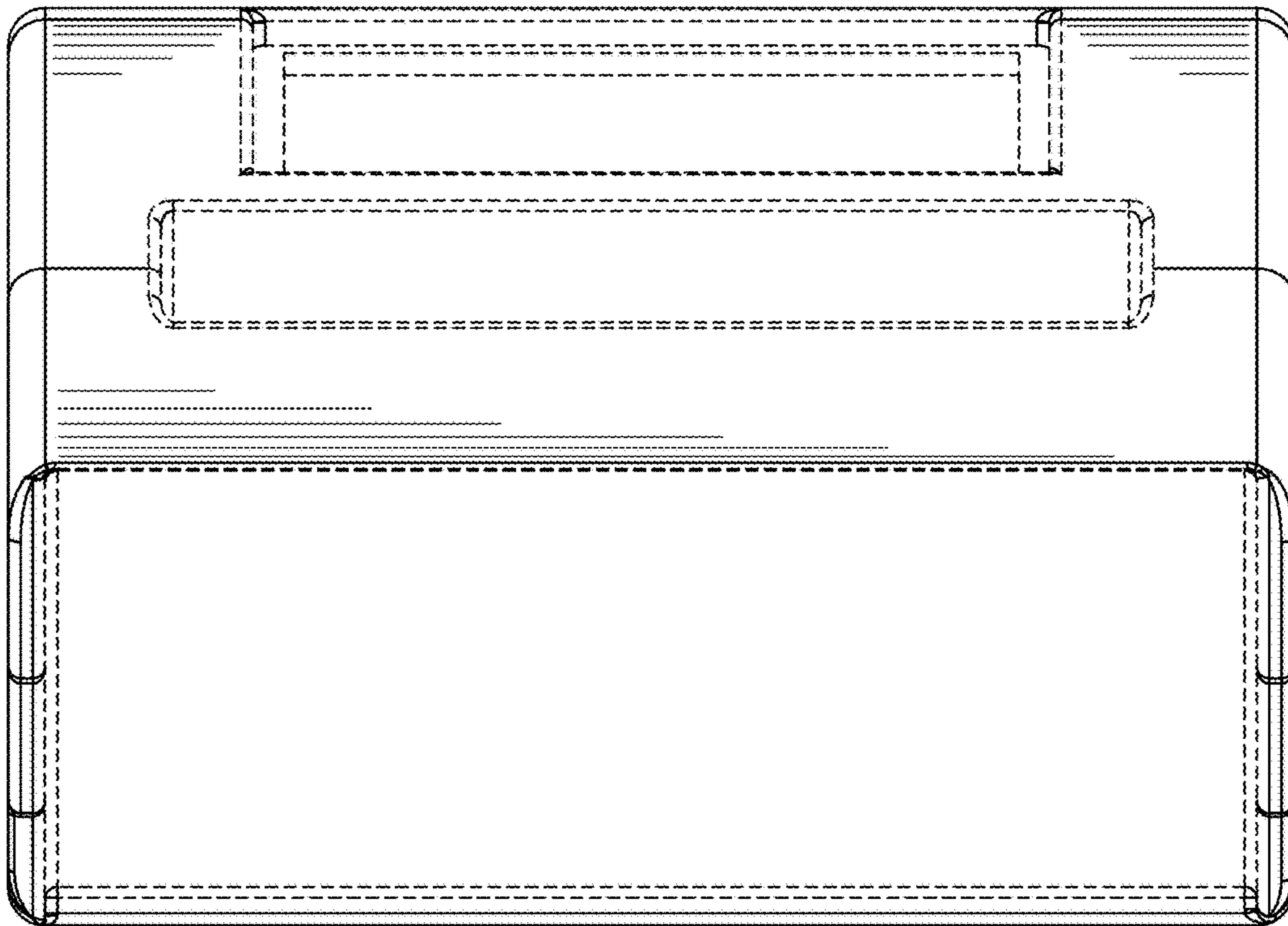


FIG. 7

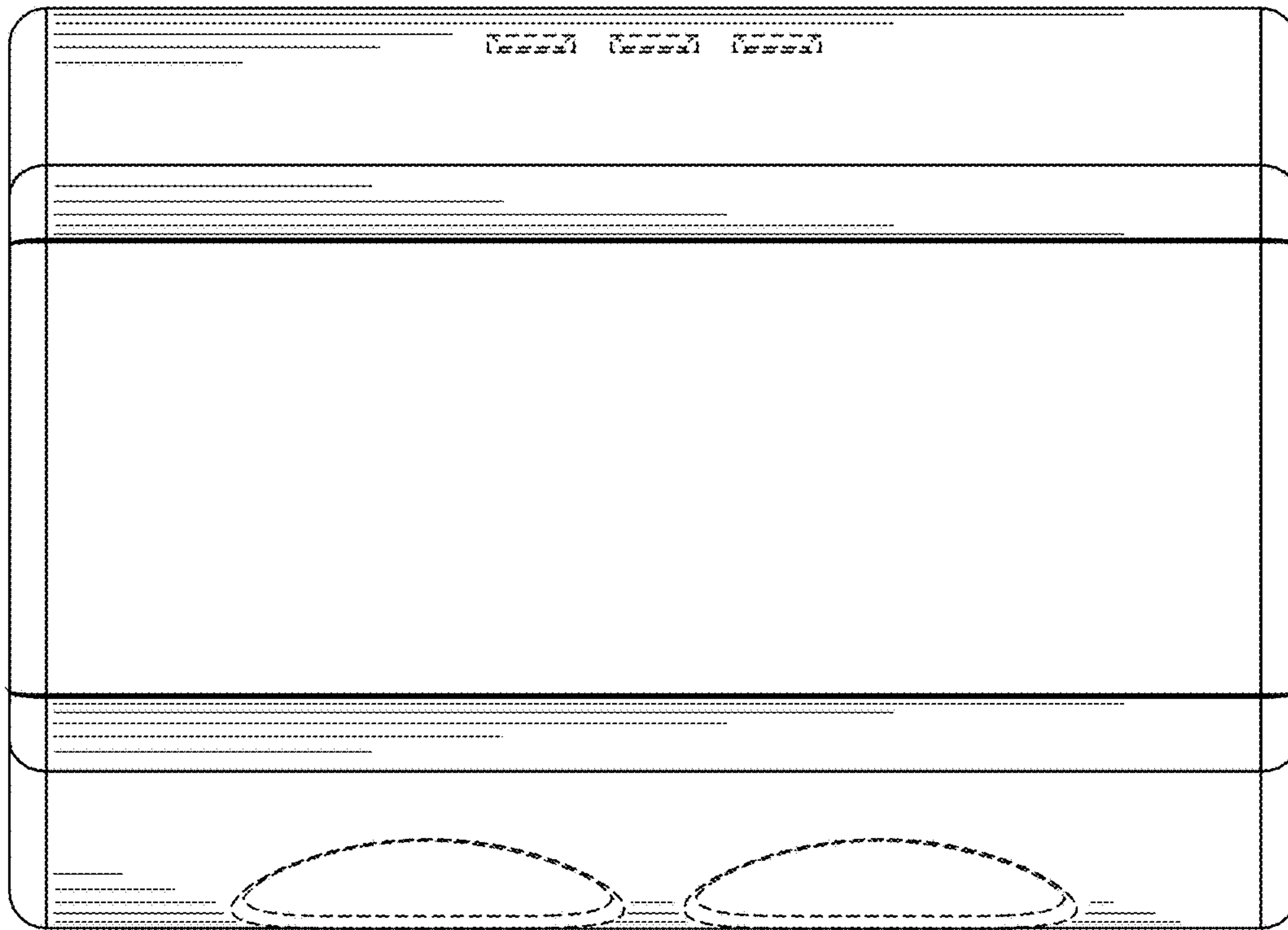


FIG. 8

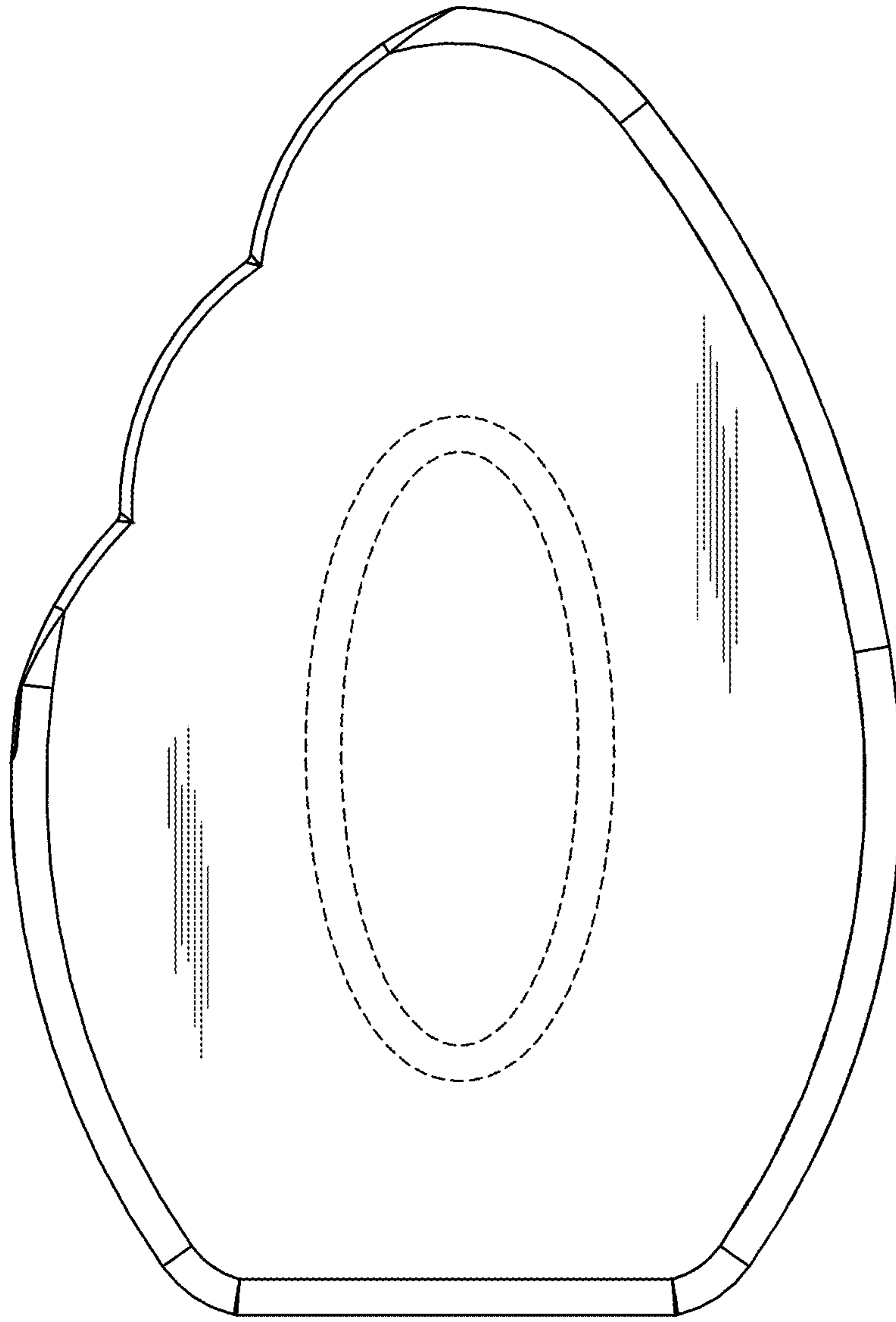


FIG. 9

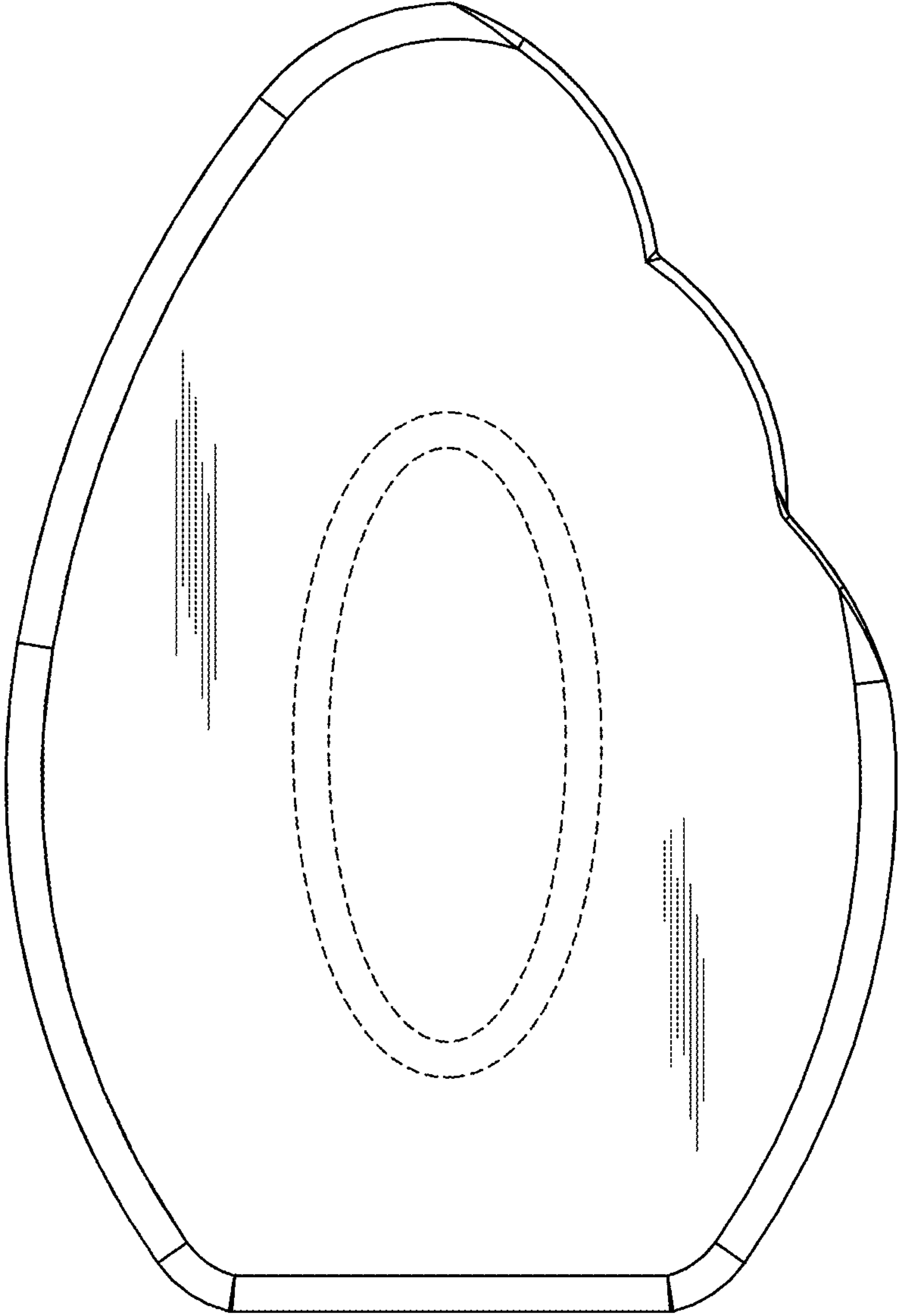


FIG. 10