



US00D866504S

(12) **United States Design Patent** (10) **Patent No.:** **US D866,504 S**  
**Liu** (45) **Date of Patent:** **\*\* Nov. 12, 2019**

(54) **WIRELESS MP3 PLAYER FOR USE IN CAR**

(71) Applicant: **Moushui Liu**, Hunan (CN)

(72) Inventor: **Moushui Liu**, Hunan (CN)

(\*\*) Term: **15 Years**

(21) Appl. No.: **29/633,521**

(22) Filed: **Jan. 15, 2018**

(51) **LOC (12) Cl.** ..... **14-01**

(52) **U.S. Cl.**  
USPC ..... **D14/203.6**; D14/155

(58) **Field of Classification Search**  
USPC ..... D14/137, 155, 157, 167, 168, 170–172,  
D14/188, 194–196, 203.1–203.8, 204,  
D14/209.1, 210–216, 219, 221, 222, 224,  
D14/239, 496; D13/133, 144  
CPC .. H04B 1/385; H04M 1/6091; H04M 1/6066;  
H04M 1/03; H04M 1/035; B60R  
11/0217; G06F 1/1688; G10K 9/22;  
G10K 11/004; H03F 1/327  
See application file for complete search history.

(56) **References Cited**

**U.S. PATENT DOCUMENTS**

- D420,977 S \* 2/2000 Lohrding ..... D13/110
- 6,512,826 B1 \* 1/2003 Kim ..... H04M 1/6075  
379/420.01
- D521,486 S \* 5/2006 Yokoyama ..... D13/144
- D521,487 S \* 5/2006 Dayan ..... D14/155
- D522,992 S \* 6/2006 Dayan ..... D14/155
- D523,413 S \* 6/2006 Dayan ..... D14/155
- D524,285 S \* 7/2006 Dayan ..... D14/155
- D530,306 S \* 10/2006 Wang ..... D14/189
- D538,775 S \* 3/2007 Dayan ..... D14/155
- D541,254 S \* 4/2007 Dayan ..... D14/155
- D548,719 S \* 8/2007 Dayan ..... D14/155

- D549,684 S \* 8/2007 Lee ..... D14/155
- D550,197 S \* 9/2007 Dayan ..... D14/155
- D620,481 S \* 7/2010 Lee ..... D14/223
- 7,937,040 B2 \* 5/2011 Dayan ..... H04B 1/034  
381/2
- D643,366 S \* 8/2011 Lu ..... D13/108
- D800,684 S \* 10/2017 Xiao ..... D14/155
- D802,536 S \* 11/2017 Shang ..... D13/144
- D810,133 S \* 2/2018 Wang ..... D14/496
- D812,033 S \* 3/2018 Yin ..... D14/155
- D842,261 S \* 3/2019 Chen ..... D14/155

**OTHER PUBLICATIONS**

LUTU Dual USB charger Bluetooth hands-free call car kit MP3 Player car MP3 player with USB port FM transmitter, Alibaba online, no post date, URL: [https://www.alibaba.com/product-detail/LUTU-Dual-USB-charger-Bluetooth-hands\\_60820671281.html?spm=a2700.details.pronpeci14.2.48c55335YazsUR&spm](https://www.alibaba.com/product-detail/LUTU-Dual-USB-charger-Bluetooth-hands_60820671281.html?spm=a2700.details.pronpeci14.2.48c55335YazsUR&spm), retrieved Apr. 24, 2019.\*

(Continued)

*Primary Examiner* — Jeffrey D Asch  
*Assistant Examiner* — Rebekah A Caruso

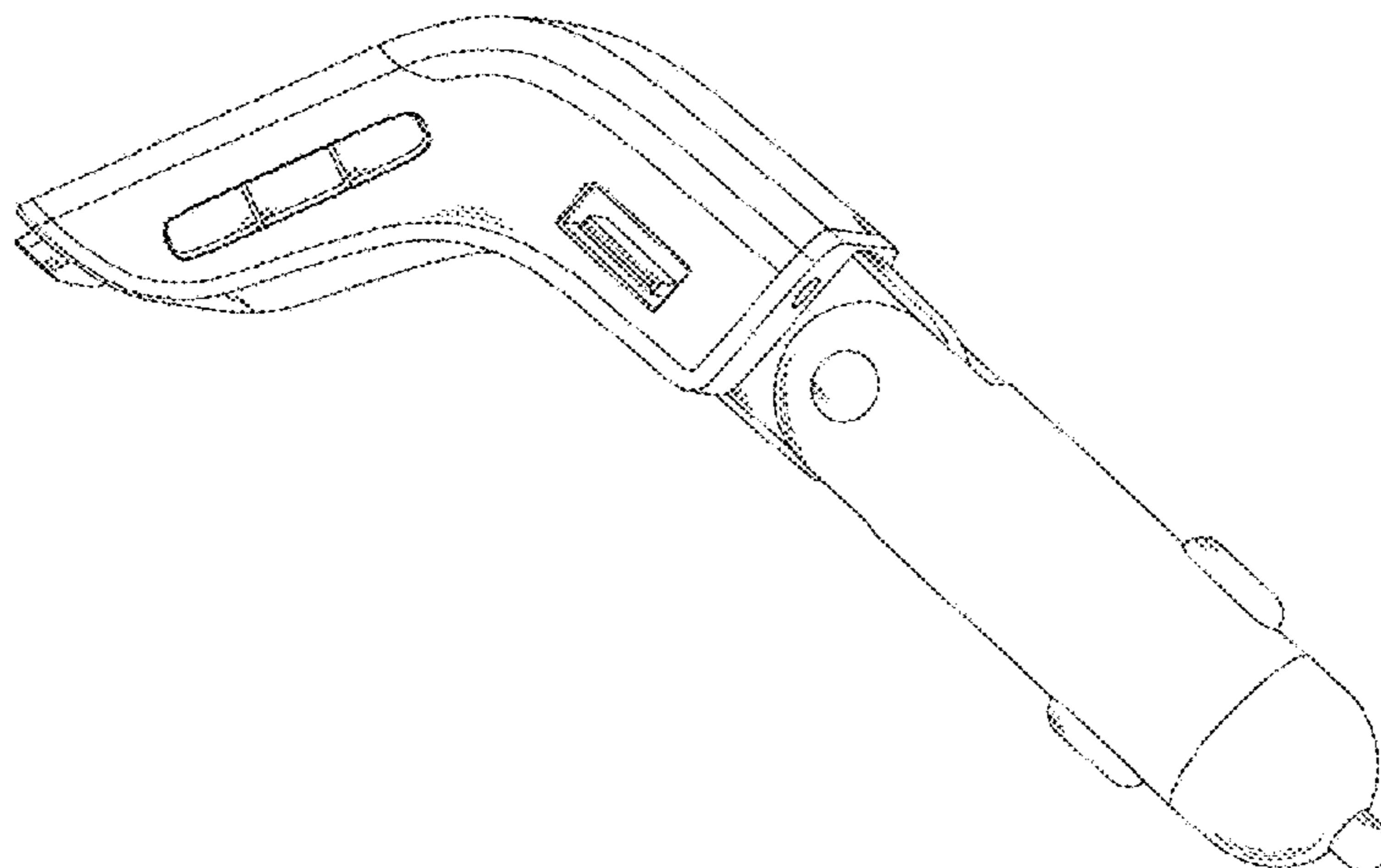
(57) **CLAIM**

I claim the ornamental design for a wireless MP3 player for use in car, as shown and described.

**DESCRIPTION**

FIG. 1 is a perspective view of a wireless MP3 player for use in car showing my new design;  
FIG. 2 is a front elevational view thereof;  
FIG. 3 is a rear elevational view thereof;  
FIG. 4 is a left side elevational view thereof;  
FIG. 5 is a right side elevational view thereof;  
FIG. 6 is a top plan view thereof; and,  
FIG. 7 is a bottom plan view thereof.

**1 Claim, 7 Drawing Sheets**



(56)

**References Cited**

OTHER PUBLICATIONS

OEM Bluetooth car kit mp3 player fm radio transmitter, Alibaba online, post date Jul. 23, 2018, URL: [https://www.alibaba.com/product-detail/User-manual-bluetooth-car-kit-mp3\\_60723359314.html](https://www.alibaba.com/product-detail/User-manual-bluetooth-car-kit-mp3_60723359314.html), retrieved Apr. 24, 2019.\*

2018 LUTU MK5 New Built-in amplifier MP3 player car FM Bluetooth transmitter, Alibaba online, post date Jul. 27, 2018, URL: [https://www.alibaba.com/product-detail/2018-LUTU-MK5-NEW-Built-in\\_60782580634.html](https://www.alibaba.com/product-detail/2018-LUTU-MK5-NEW-Built-in_60782580634.html), retrieved Apr. 24, 2019.\*

\* cited by examiner

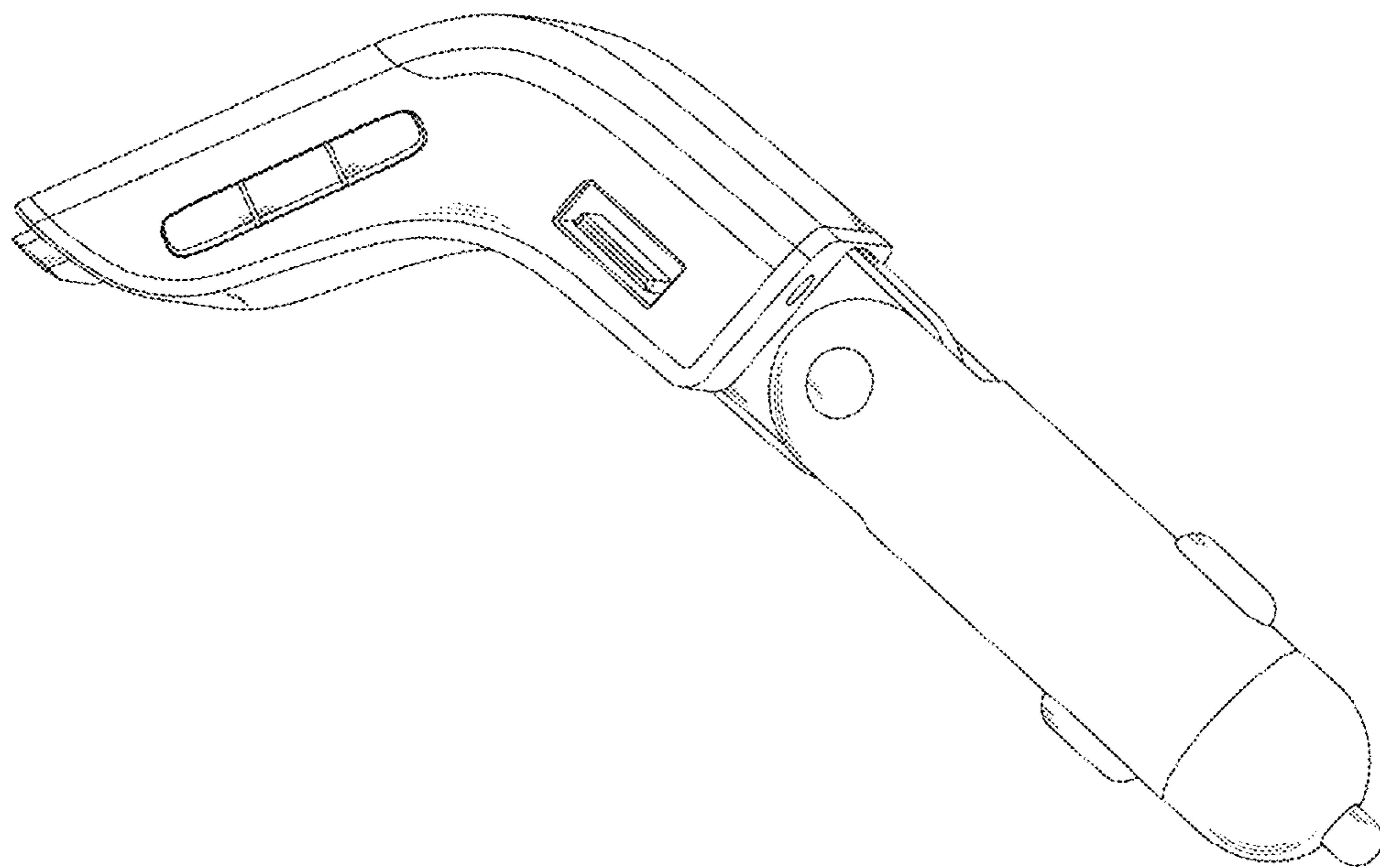


FIG.1

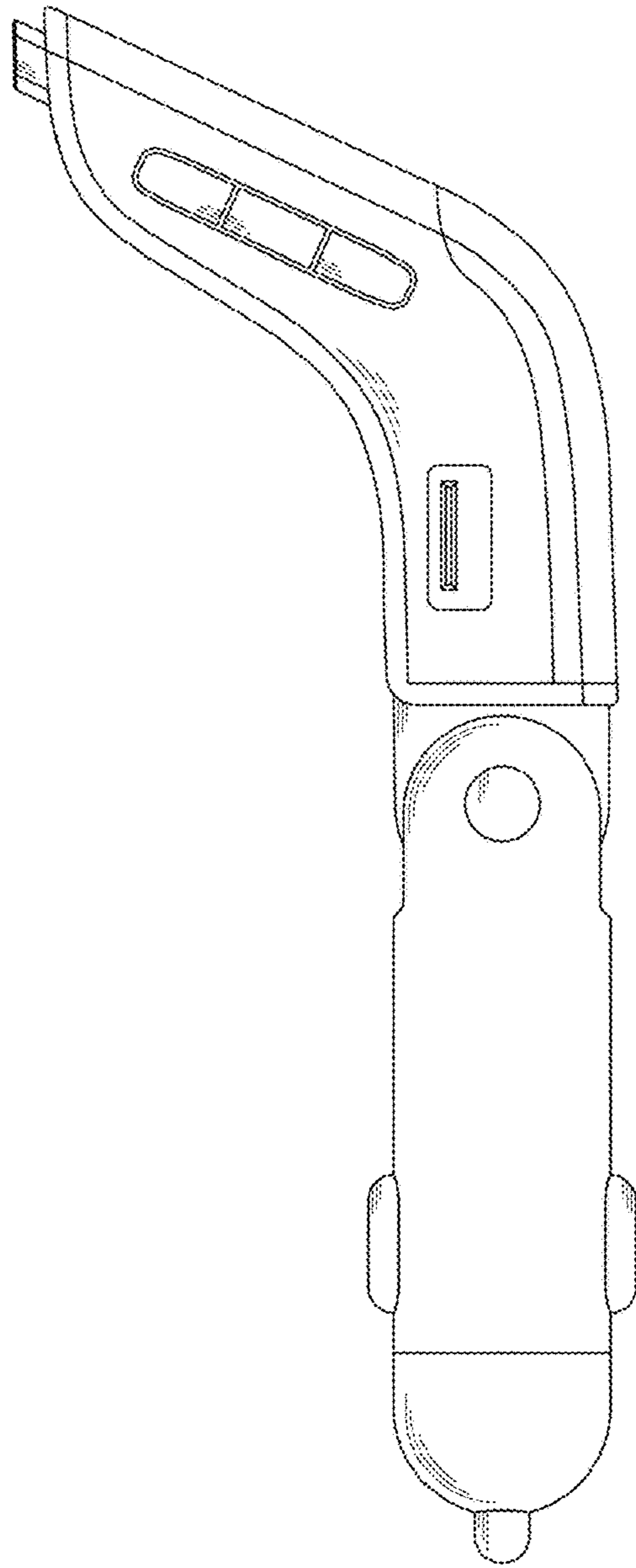


FIG.2

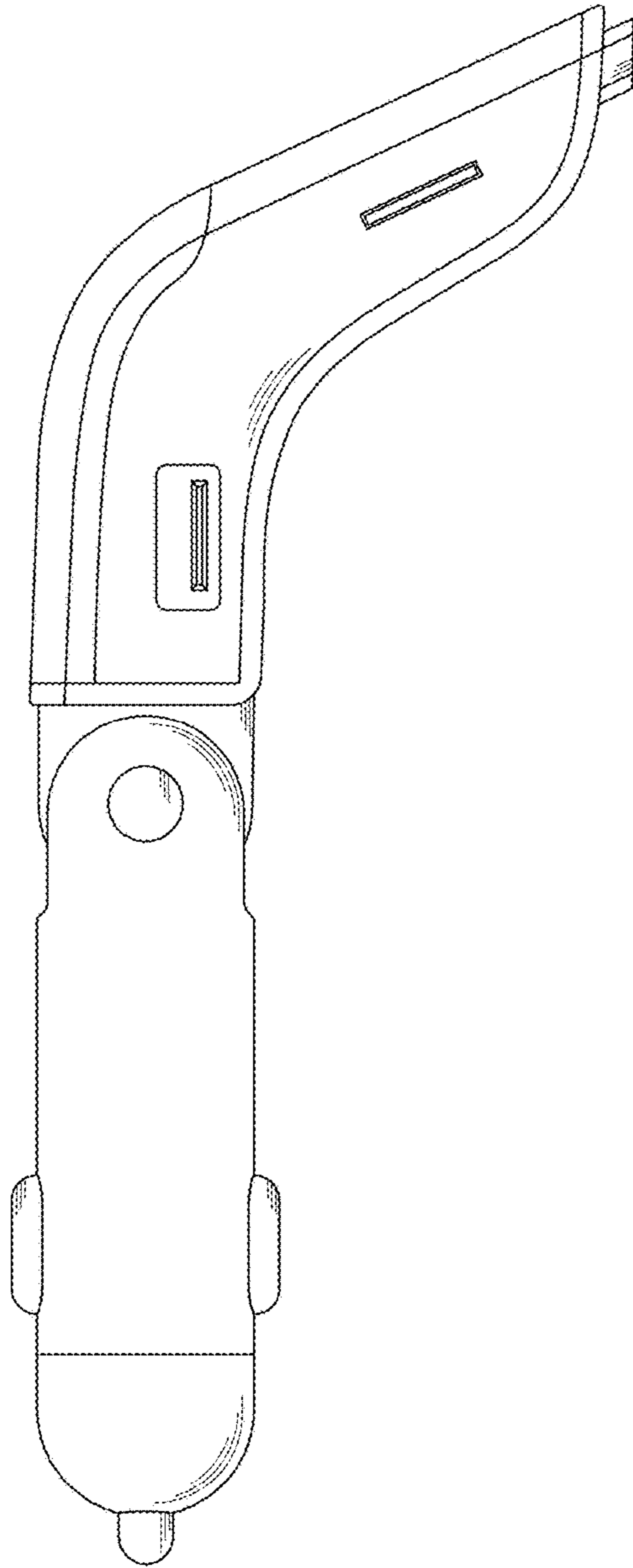


FIG.3

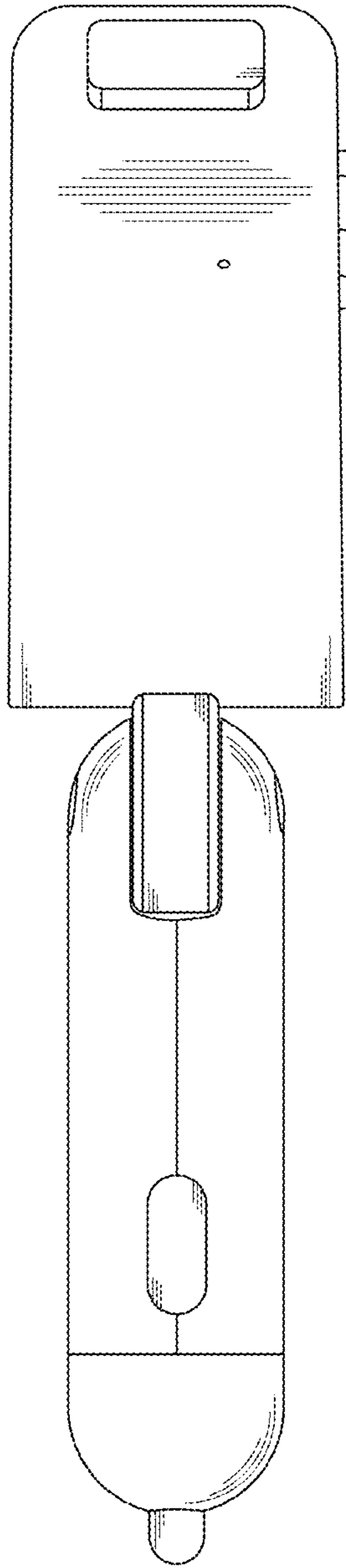


FIG.4

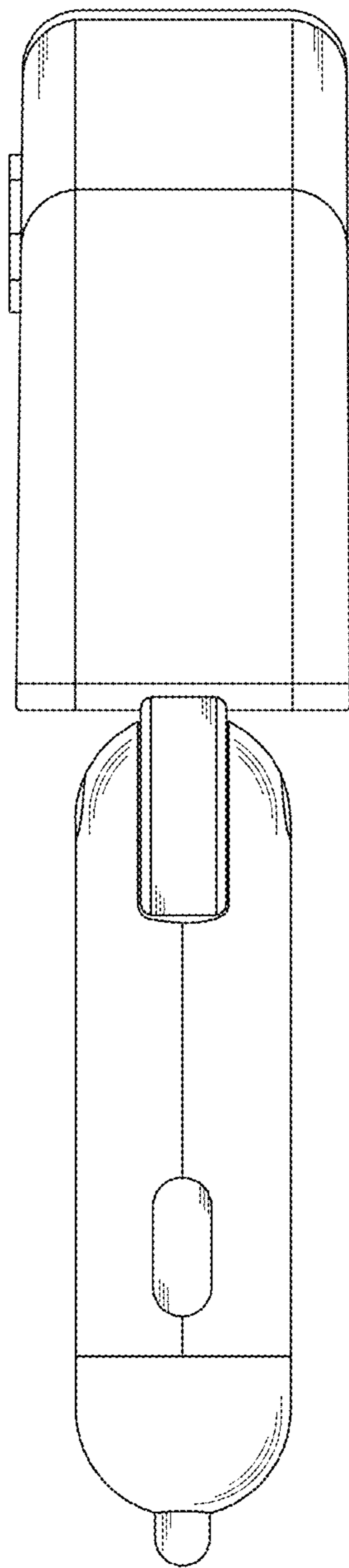


FIG.5

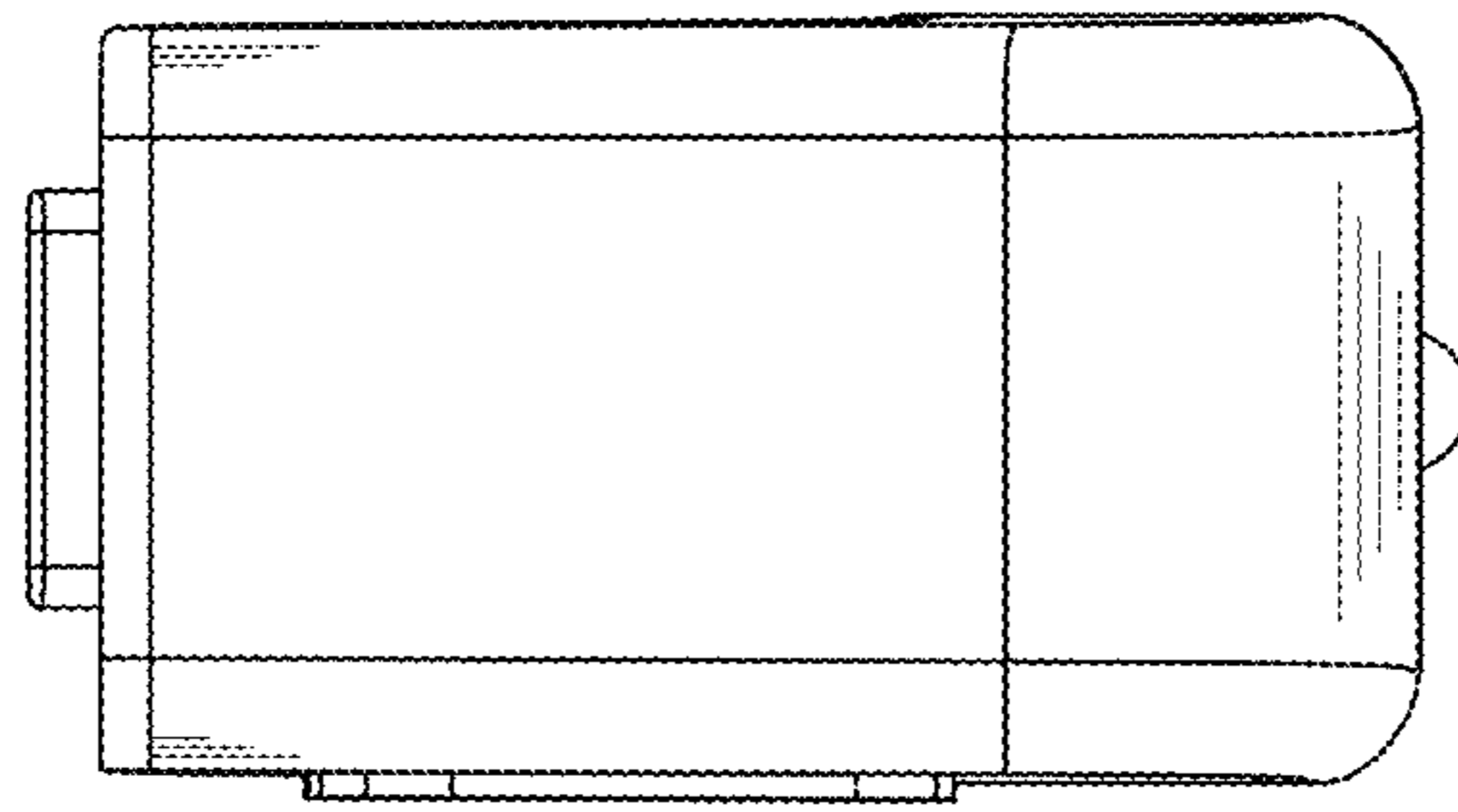


FIG.6



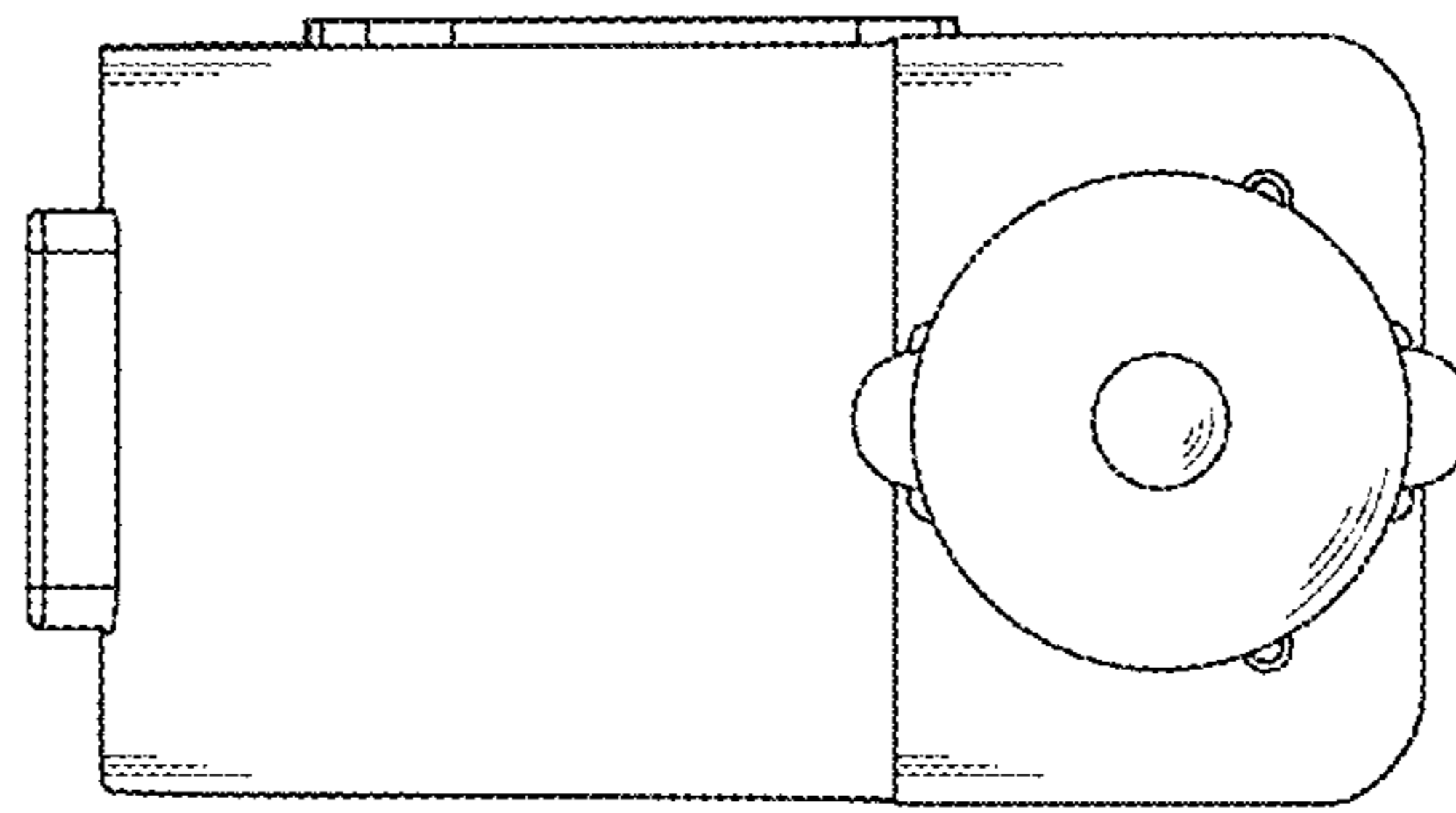


FIG.7