



US00D866503S

(12) **United States Design Patent** (10) **Patent No.:** **US D866,503 S**
Liu (45) **Date of Patent:** **** Nov. 12, 2019**

(54) **WIRELESS MP3 PLAYER FOR USE IN CAR**

(71) Applicant: **Moushui Liu**, Guangdong (CN)

(72) Inventor: **Moushui Liu**, Guangdong (CN)

(73) Assignee: **Dongguan Kaweidi Automobile Fittings Co, Ltd.**, Dongguan, Guangdong (CN)

(**) Term: **15 Years**

(21) Appl. No.: **29/613,409**

(22) Filed: **Aug. 10, 2017**

(51) **LOC (12) Cl.** **14-01**

(52) **U.S. Cl.**
USPC **D14/203.3**; D14/155

(58) **Field of Classification Search**
USPC D14/137, 155, 157, 167, 168, 170–172, D14/188, 194–196, 203.1–203.8, 204, D14/209.1, 210–216, 219, 221, 222, 224, D14/239, 496; D13/133, 144
CPC .. H04B 1/385; H04M 1/6091; H04M 1/6066; H04M 1/03; H04M 1/035; B60R 11/0217; G06F 1/1688; G10K 9/22; G10K 11/004; H03F 1/327
See application file for complete search history.

(56) **References Cited**

U.S. PATENT DOCUMENTS

D420,977 S *	2/2000	Lohrding	D13/110
D456,007 S *	4/2002	Kuo	D13/110
6,512,826 B1 *	1/2003	Kim	H04M 1/6075 379/420.01
D521,486 S *	5/2006	Yokoyama	D13/144
D521,487 S *	5/2006	Dayan	D14/155
D522,992 S *	6/2006	Dayan	D14/155
D523,413 S *	6/2006	Dayan	D14/155

D524,285 S *	7/2006	Dayan	D14/155
D530,306 S *	10/2006	Wang	D14/189
D538,775 S *	3/2007	Dayan	D14/155
D541,254 S *	4/2007	Dayan	D14/155
D548,719 S *	8/2007	Dayan	D14/155
D550,197 S *	9/2007	Dayan	D14/155
D620,481 S *	7/2010	Lee	D14/223
7,937,040 B2 *	5/2011	Dayan	H04B 1/034 381/2
D643,366 S *	8/2011	Lu	D13/108
D800,684 S *	10/2017	Xiao	D14/155
D802,536 S *	11/2017	Shang	D13/144
D810,133 S *	2/2018	Wang	D14/496
D842,261 S *	3/2019	Chen	D14/155

OTHER PUBLICATIONS

OEM Bluetooth car kit mp3 player fm radio transmitter, Alibaba online, post date Jul. 23, 2018, URL: https://www.alibaba.com/product-detail/User-manual-bluetooth-car-kit-mp3_60723359314.html, retrieved Apr. 24, 2019.*

(Continued)

Primary Examiner — Jeffrey D Asch
Assistant Examiner — Rebekah A Caruso

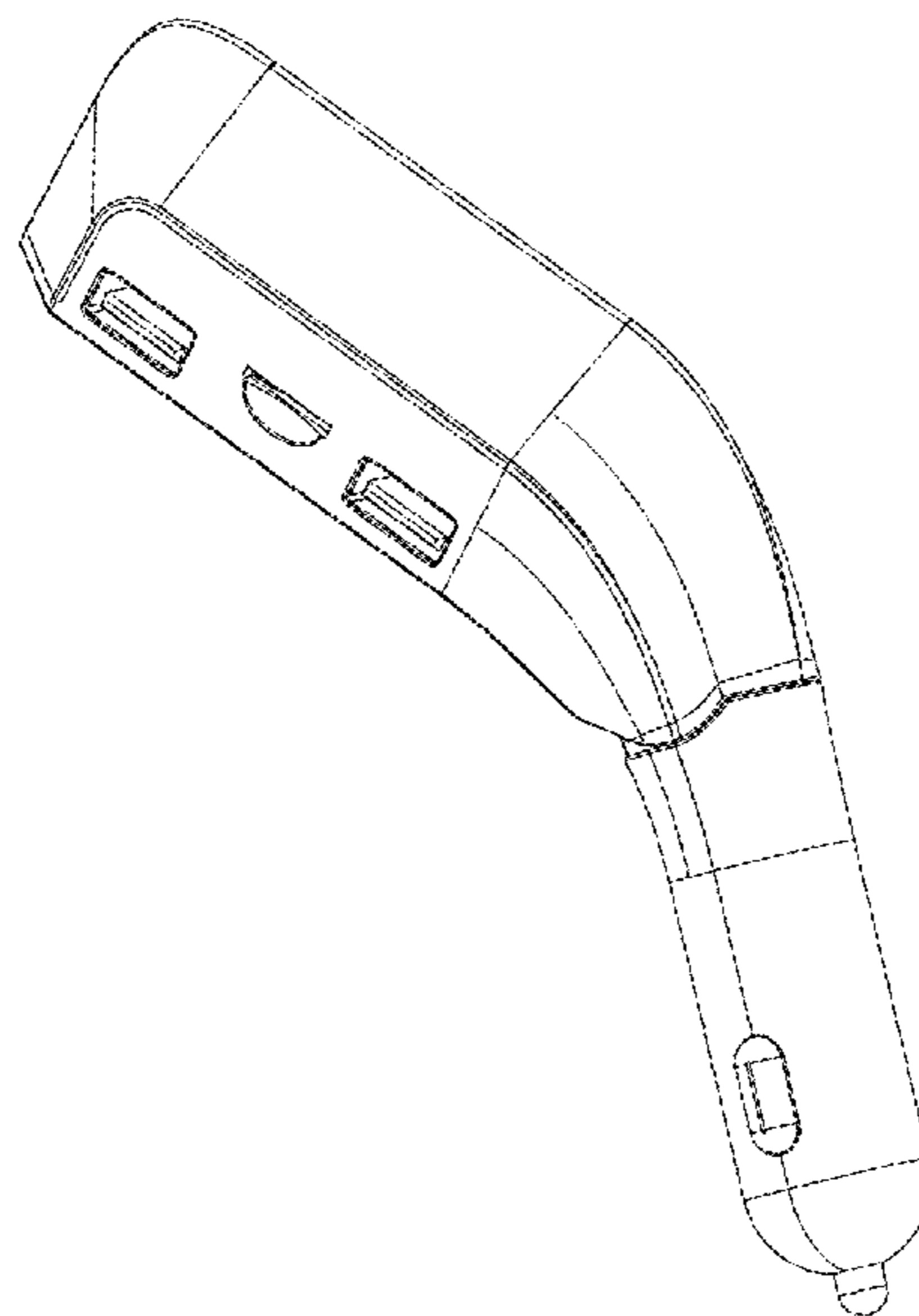
(57) **CLAIM**

The ornamental design for a wireless MP3 player for use in car, as shown and described.

DESCRIPTION

FIG. 1 is a perspective view of wireless MP3 player for use in car showing my new design;
FIG. 2 is a front elevational view thereof;
FIG. 3 is a rear elevational view thereof;
FIG. 4 is a left side elevational view thereof;
FIG. 5 is a right side elevational view thereof;
FIG. 6 is a top plan view thereof; and,
FIG. 7 is a bottom plan view thereof.

1 Claim, 7 Drawing Sheets



(56)

References Cited

OTHER PUBLICATIONS

LUTU Dual USB charger Bluetooth hands-free call car kit MP3 Player car MP3 player with USB port FM transmitter, Alibaba online, no post date, URL: https://www.alibaba.com/product-detail/LUTU-Dual-USB-charger-Bluetooth-hands_60820671281.html?spm=a2700.details.pronpeci14.2.48c55335YazsUR&spm , retrieved Apr. 24, 2019.*

2018 LUTU MK5 New Built-in amplifier MP3 player car FM Bluetooth transmitter, Alibaba online, post date Jul. 27, 2018, URL: https://www.alibaba.com/product-detail/2018-LUTU-MK5-New-Built-in_60782580634.html , retrieved Apr. 24, 2019.*

* cited by examiner

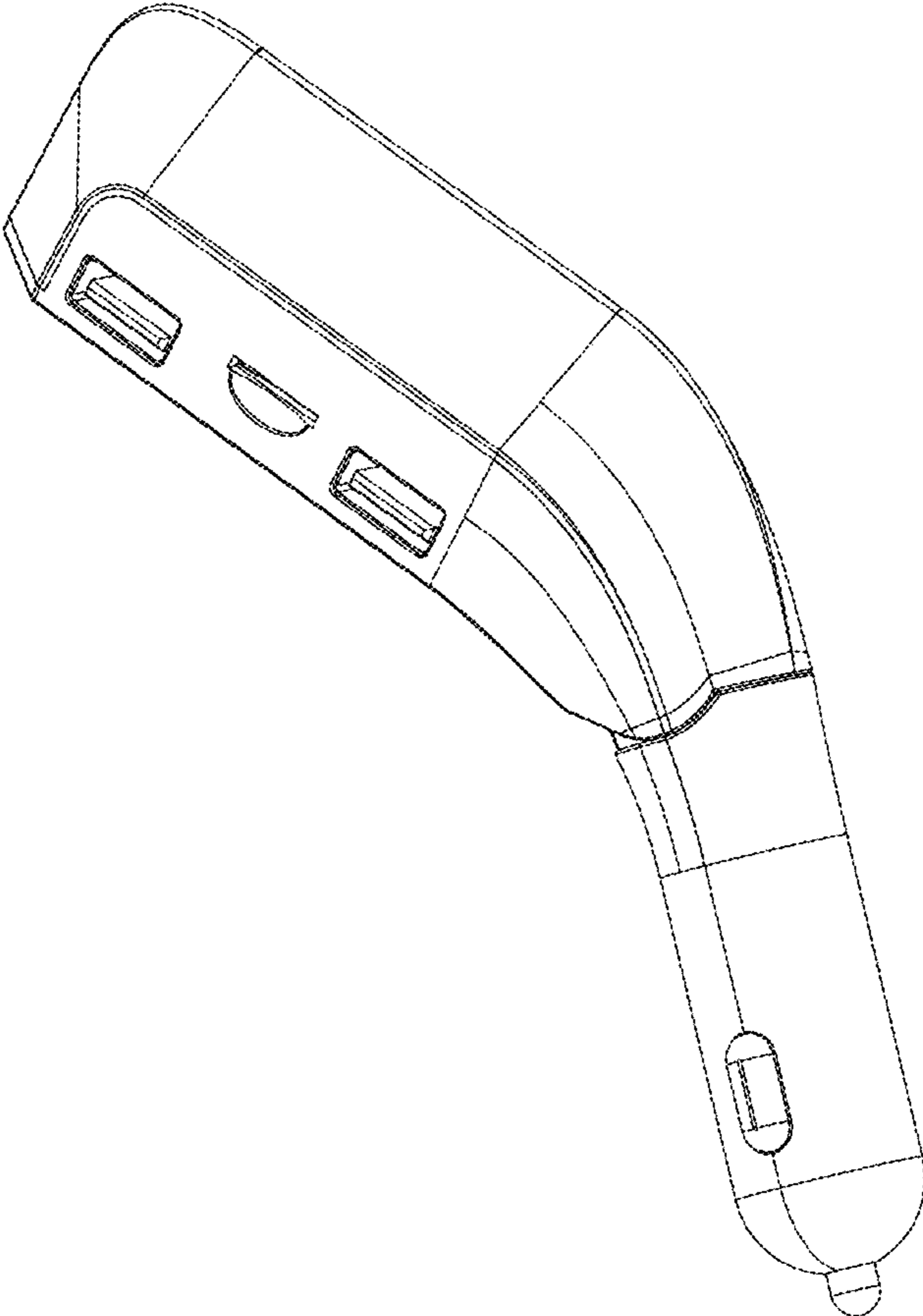


FIG.1

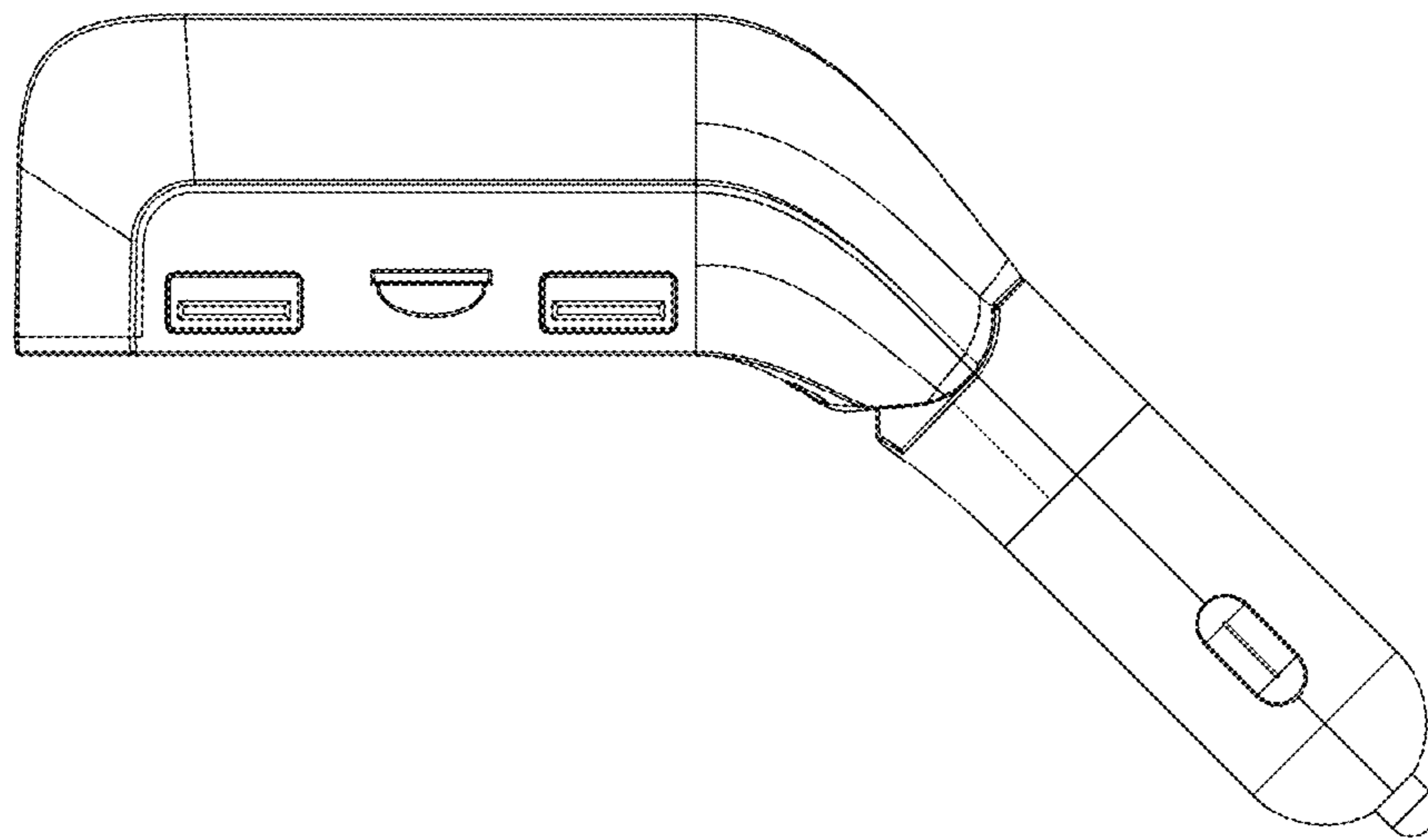


FIG.2

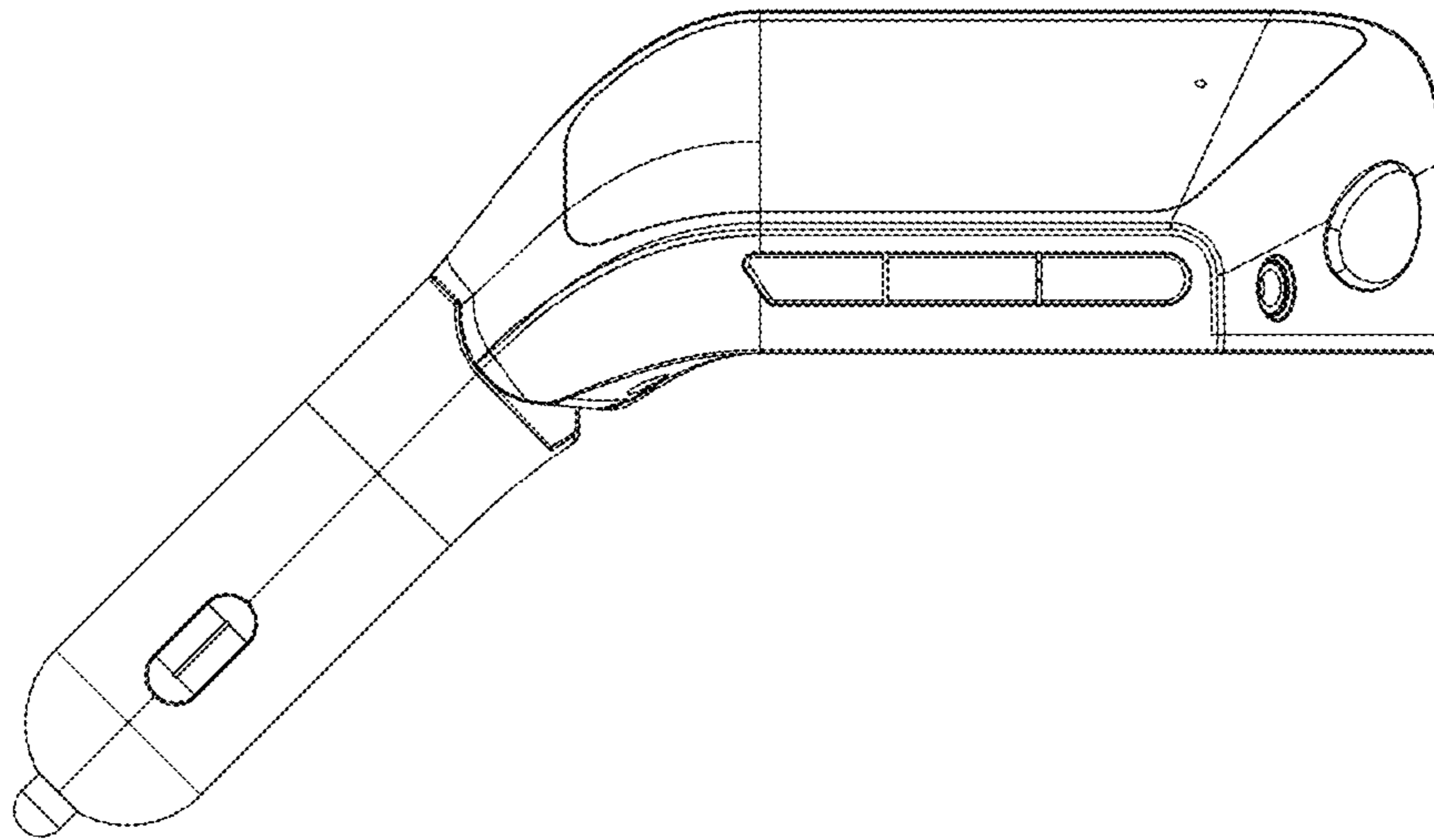


FIG.3

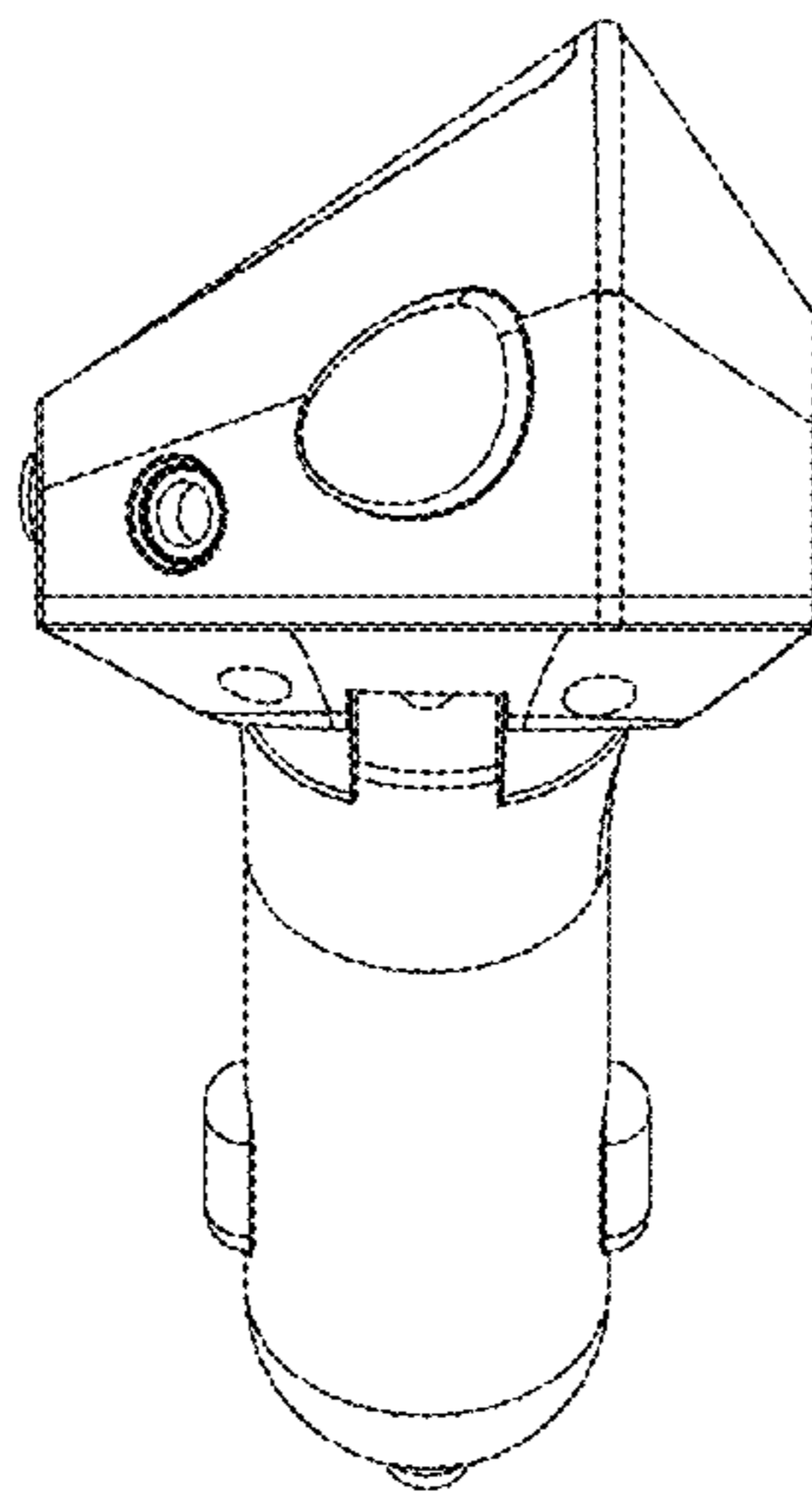


FIG.4

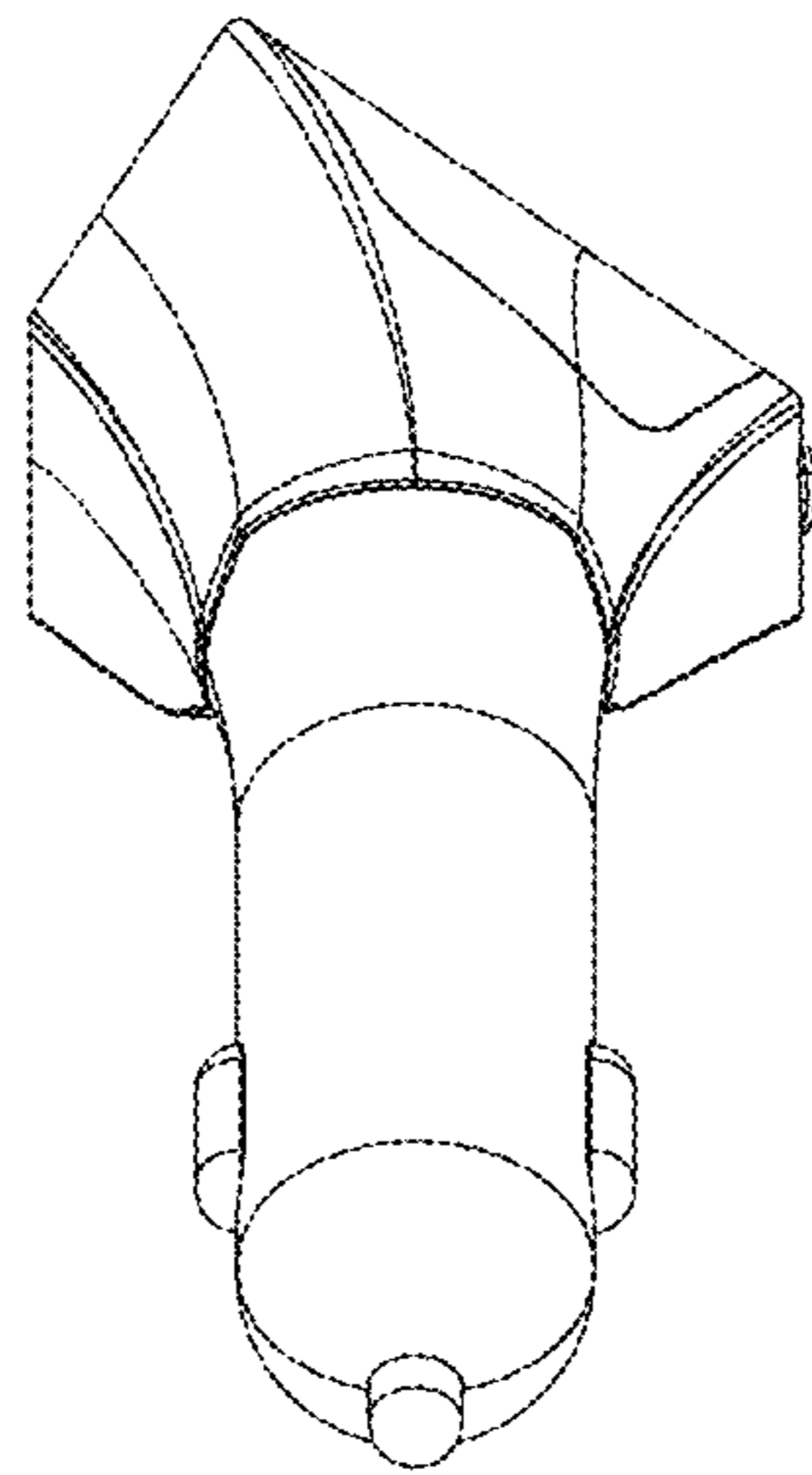


FIG.5

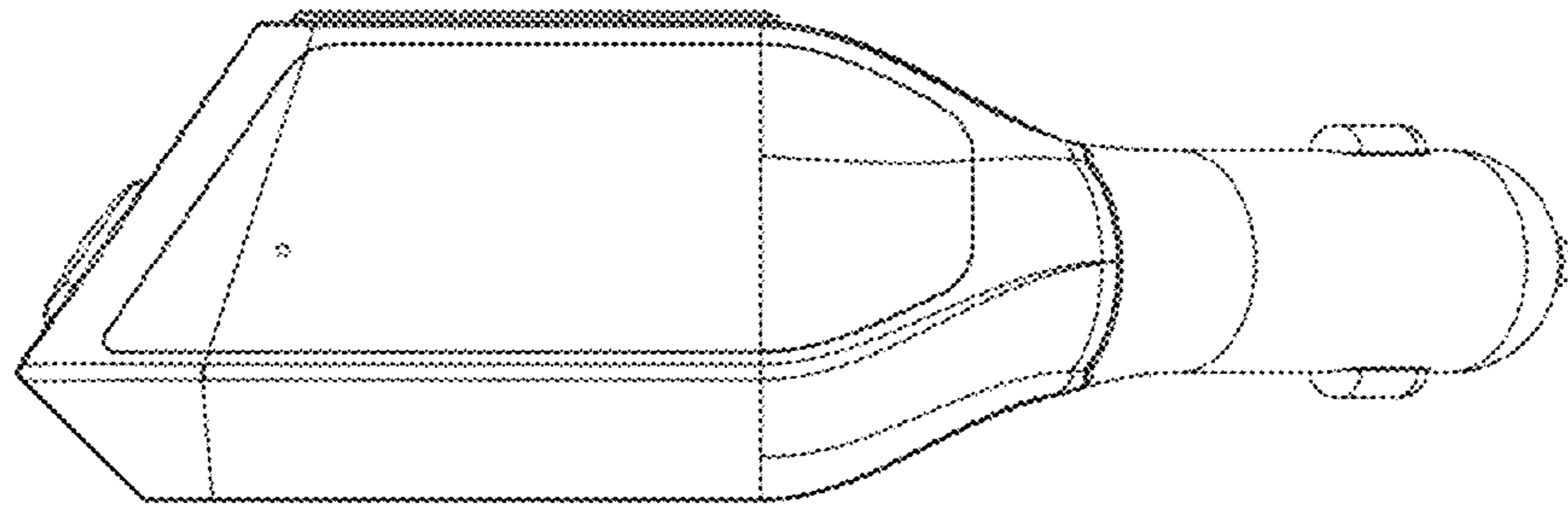


FIG.6

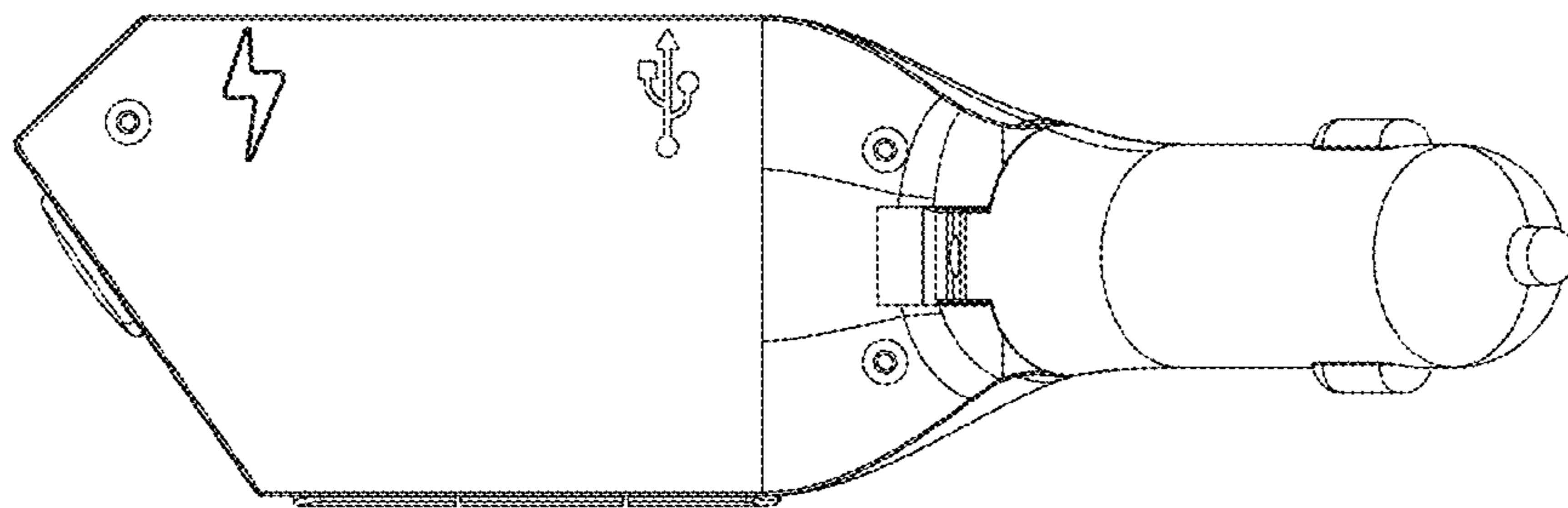


FIG.7