



US00D866493S

(12) **United States Design Patent**
Brooks et al.

(10) **Patent No.:** **US D866,493 S**

(45) **Date of Patent:** **** Nov. 12, 2019**

(54) **PULSED ELECTROMAGNETIC FIELD APPLICATOR BASE**

(71) Applicant: **Regenesis Biomedical, Inc.**, Scottsdale, AZ (US)

(72) Inventors: **Scott S. Brooks**, Scottsdale, AZ (US);
Scott A. Robey, Scottsdale, AZ (US);
Joseph E. Bright, Phoenix, AZ (US);
Randolph L. Chavez, Mesa, AZ (US);
Martin L. Kirk, Scottsdale, AZ (US);
Dennis W. Genge, Scottsdale, AZ (US);
Thomas Ivan Eisiminger, Jr., Scottsdale, AZ (US)

(73) Assignee: **Regenesis Biomedical, Inc.**, Scottsdale, AZ (US)

(**) Term: **15 Years**

(21) Appl. No.: **29/641,759**

(22) Filed: **Mar. 23, 2018**

(51) **LOC (12) Cl.** **13-03**

(52) **U.S. Cl.**
USPC **D13/184**

(58) **Field of Classification Search**
USPC D13/184; D24/165–168, 107, 188, 187,
D24/186, 200
CPC A61N 1/39; A61N 1/3925; A61N 1/3968;
A61N 1/3987; A61N 1/3993
See application file for complete search history.

(56) **References Cited**

U.S. PATENT DOCUMENTS

- 4,834,075 A * 5/1989 Guo A61H 7/004
601/89
- 5,285,781 A * 2/1994 Brodard A61N 1/37282
607/59
- D400,249 S * 10/1998 Holubar D24/107
- D411,004 S * 6/1999 Muller D24/107

- D475,463 S * 6/2003 Leyde D24/200
- 6,675,048 B2 * 1/2004 McGraw A61N 1/326
607/3
- 6,967,281 B2 * 11/2005 George A61N 1/16
174/368
- 7,221,980 B2 * 5/2007 Kotlik A61B 5/0488
607/48
- 7,613,518 B2 * 11/2009 Qin A61N 1/37247
607/48
- D625,013 S * 10/2010 Kawamura D24/167
- D687,146 S * 7/2013 Juzkiw D24/170

(Continued)

Primary Examiner — Janice Hallmark

Assistant Examiner — Harold E Blackwell, II

(74) *Attorney, Agent, or Firm* — Shay Glenn LLP

(57) **CLAIM**

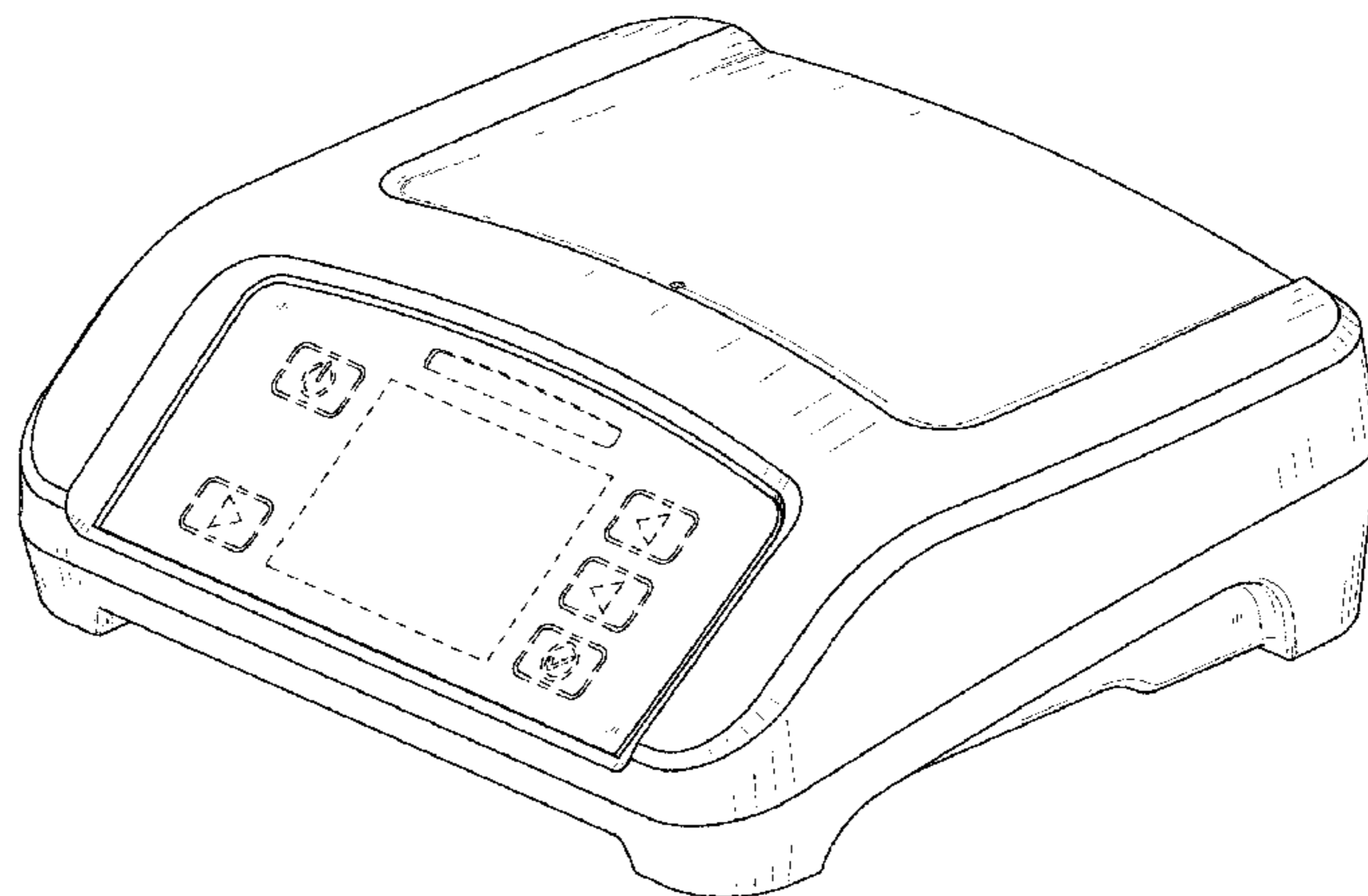
The ornamental design for a pulsed electromagnetic field applicator base, as shown.

DESCRIPTION

FIG. 1 is a front perspective view of a pulsed electromagnetic field applicator base;
 FIG. 2 is a back perspective view of the pulsed electromagnetic field applicator base of FIG. 1;
 FIG. 3 is a front view of the pulsed electromagnetic field applicator base of FIG. 1;
 FIG. 4 is a back view of the pulsed electromagnetic field applicator base of FIG. 1;
 FIG. 5 is a top view of the pulsed electromagnetic field applicator base of FIG. 1;
 FIG. 6 is a bottom view of the pulsed electromagnetic field applicator base of FIG. 1;
 FIG. 7 is a left side view of the pulsed electromagnetic field applicator base of FIG. 1; and,
 FIG. 8 is a front side view of the pulsed electromagnetic field applicator base of FIG. 1.

The broken lines in the drawings illustrate portions of the pulsed electromagnetic field applicator base that form no part of the claimed design.

1 Claim, 8 Drawing Sheets



(56)

References Cited

U.S. PATENT DOCUMENTS

8,690,753 B2 * 4/2014 Stephenson A61H 19/32
600/38
8,798,743 B1 * 8/2014 Khuon A61N 1/3968
607/5
D717,442 S * 11/2014 Kaib D24/167
D755,393 S * 5/2016 Amsler D24/167
D771,269 S * 11/2016 Moon D24/215
D774,651 S * 12/2016 Kaib D24/186
9,517,349 B2 * 12/2016 Becse A61B 9/00
D781,425 S * 3/2017 Dascoli D24/167
D794,209 S * 8/2017 Hsieh D24/200
9,902,028 B2 * 2/2018 Amsler A61N 1/3968
D827,832 S * 9/2018 Fischer D24/167
10,213,124 B2 * 2/2019 Freeman A61B 5/0408
D851,255 S * 6/2019 Fluxman D24/169
2010/0268300 A1 * 10/2010 Ramos Leal A61N 1/326
607/50

* cited by examiner

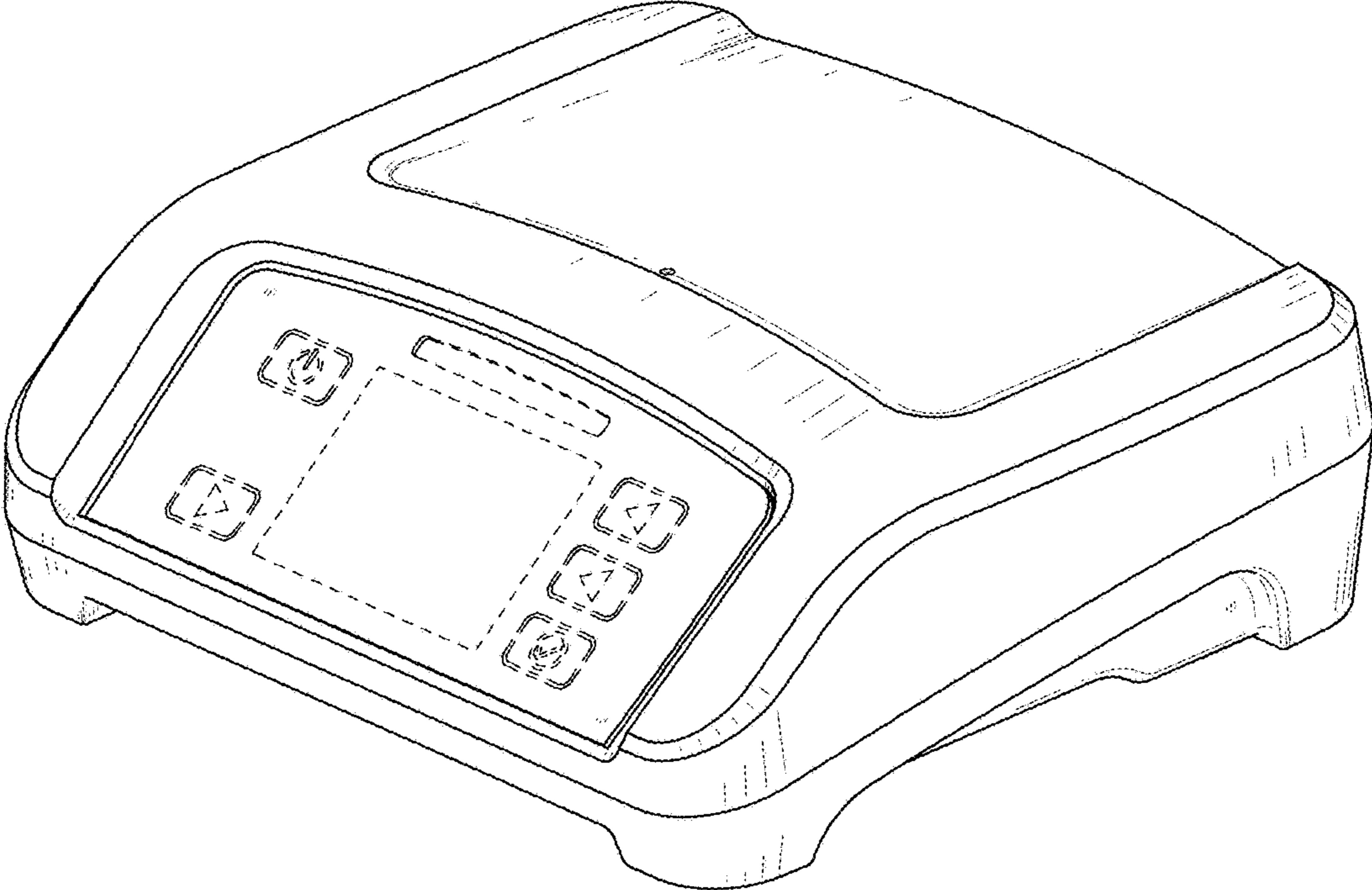


FIG. 1

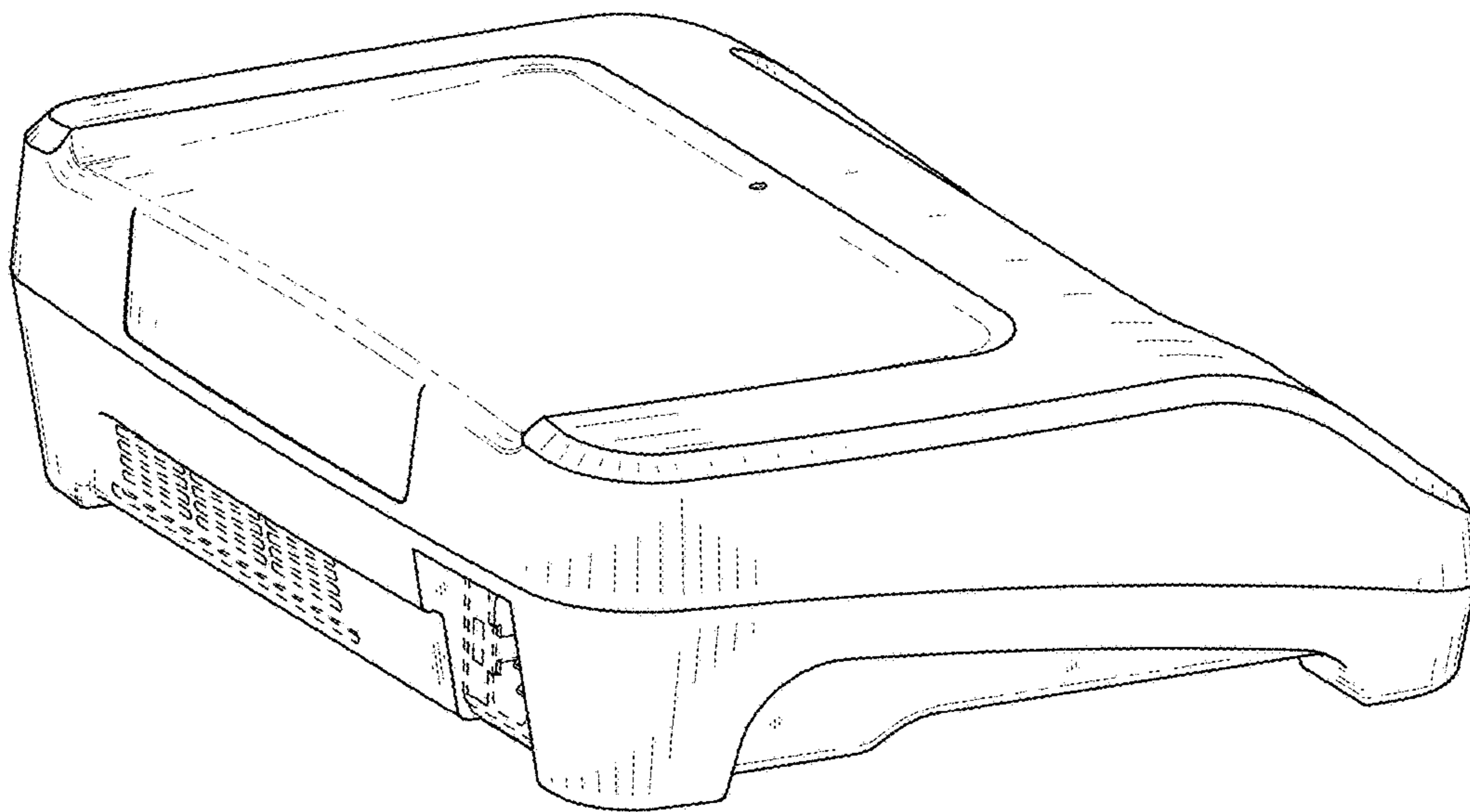


FIG. 2

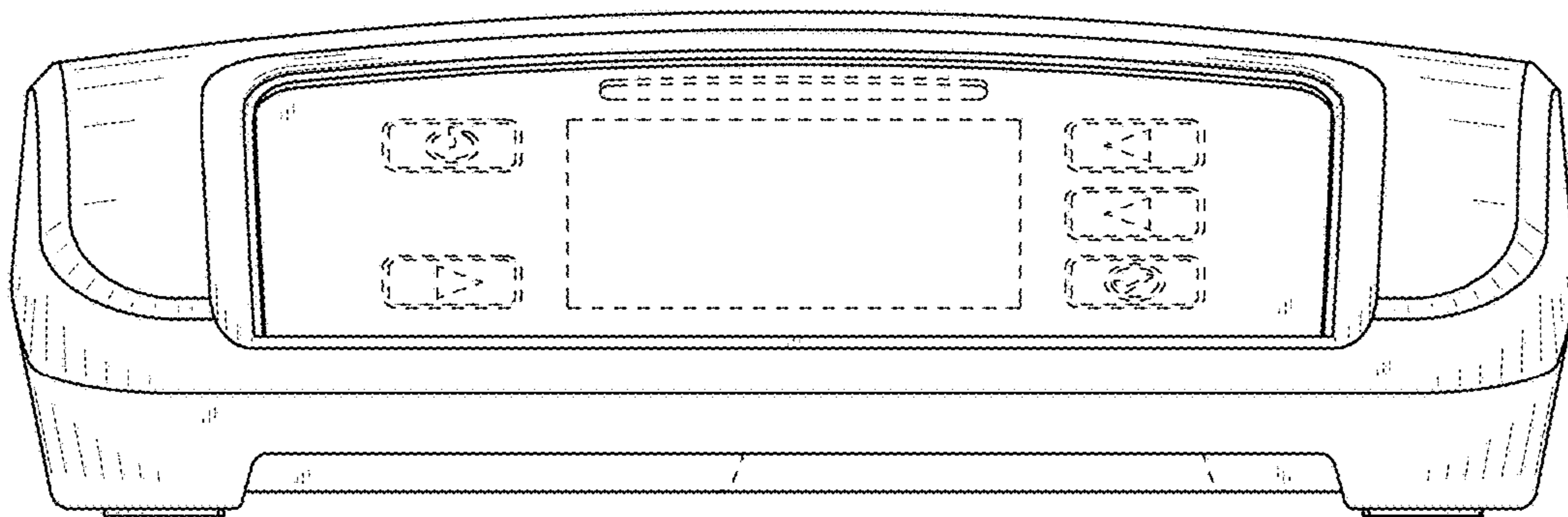


FIG. 3

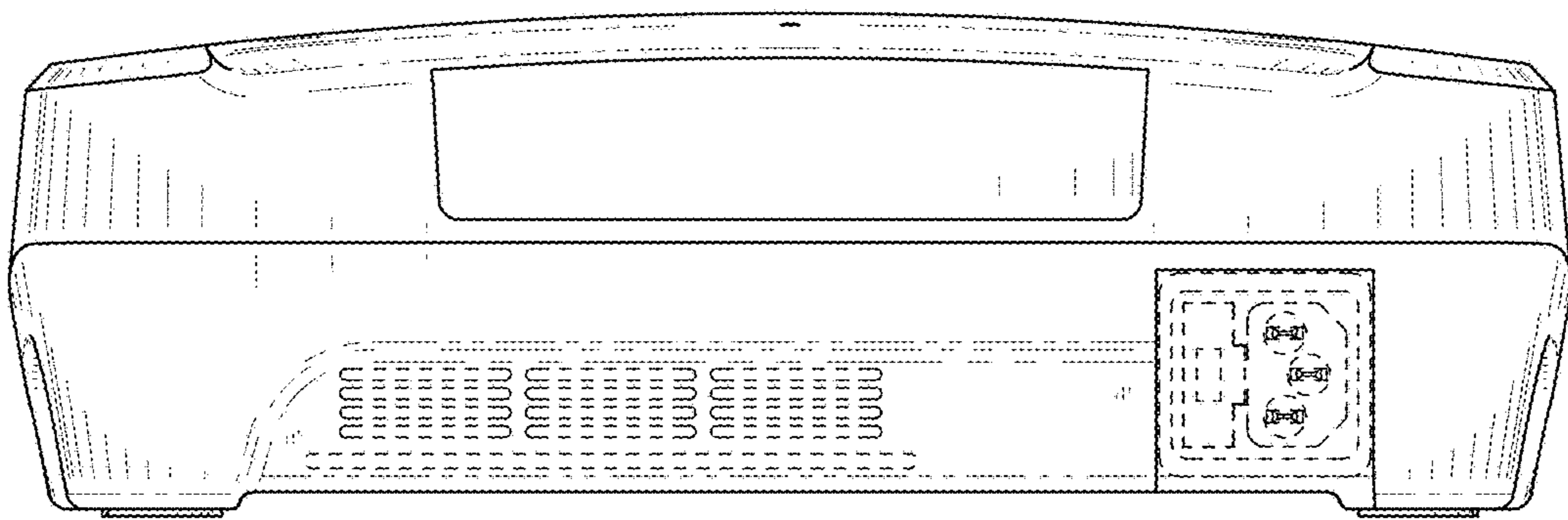


FIG. 4

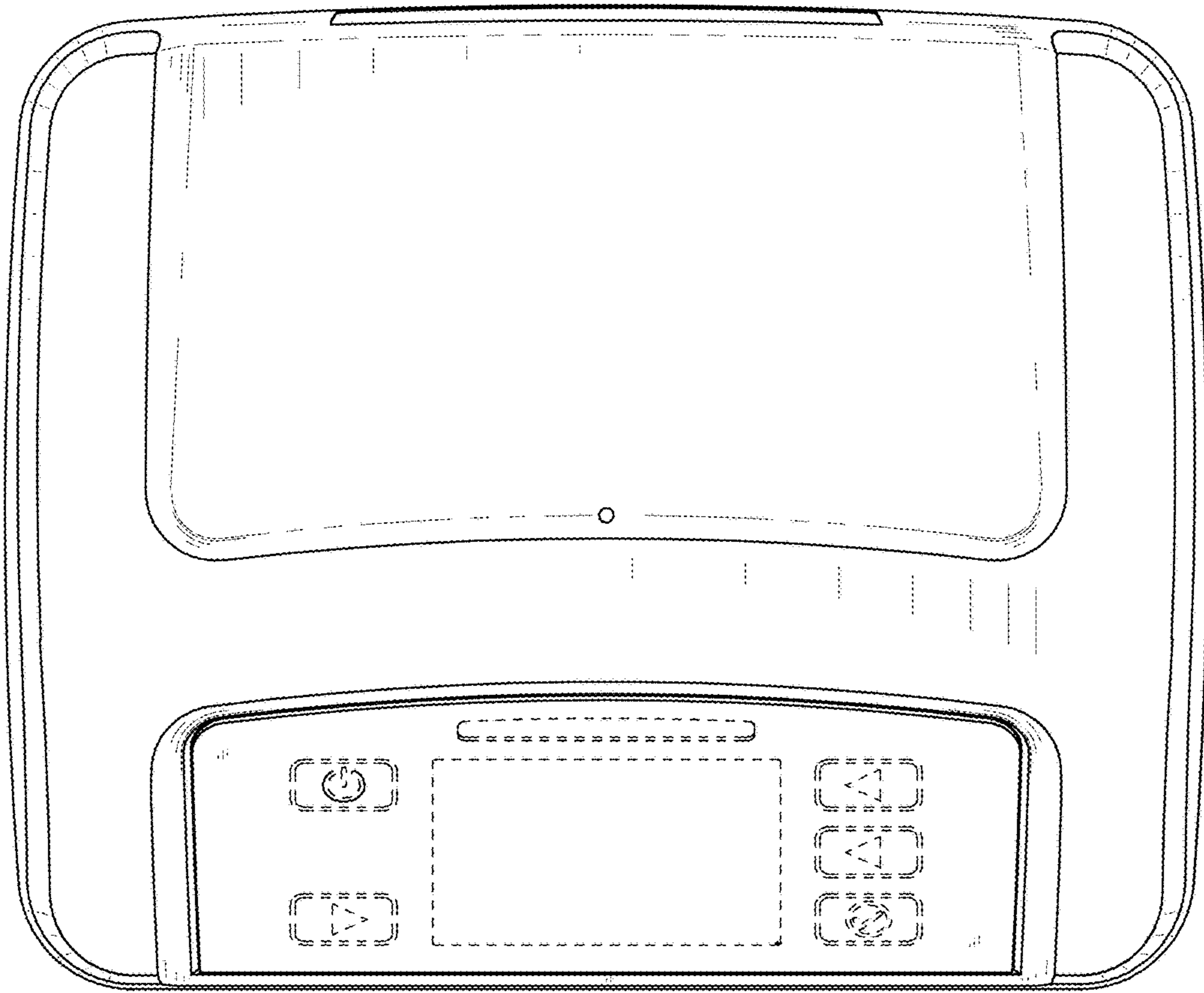


FIG. 5

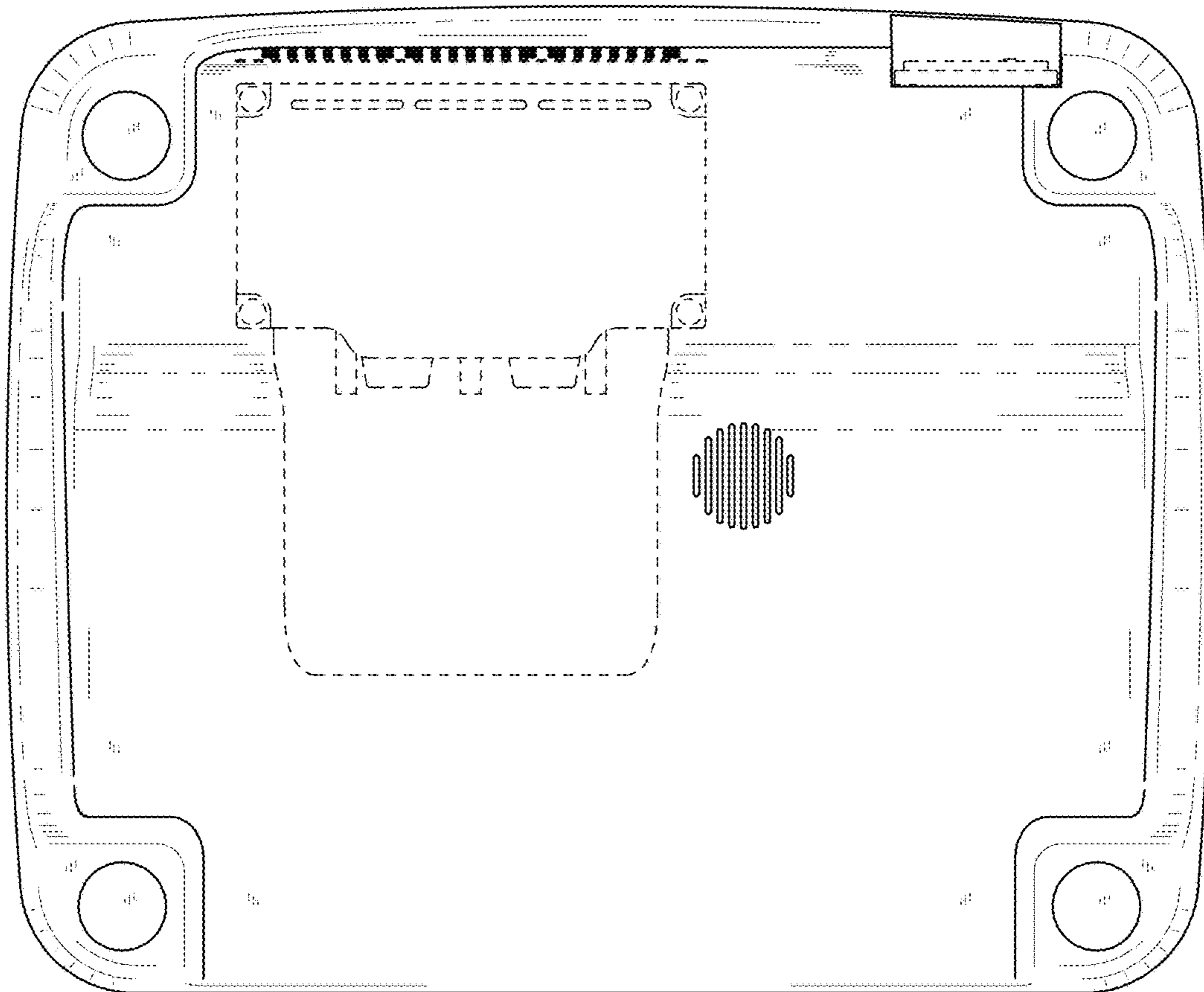


FIG. 6

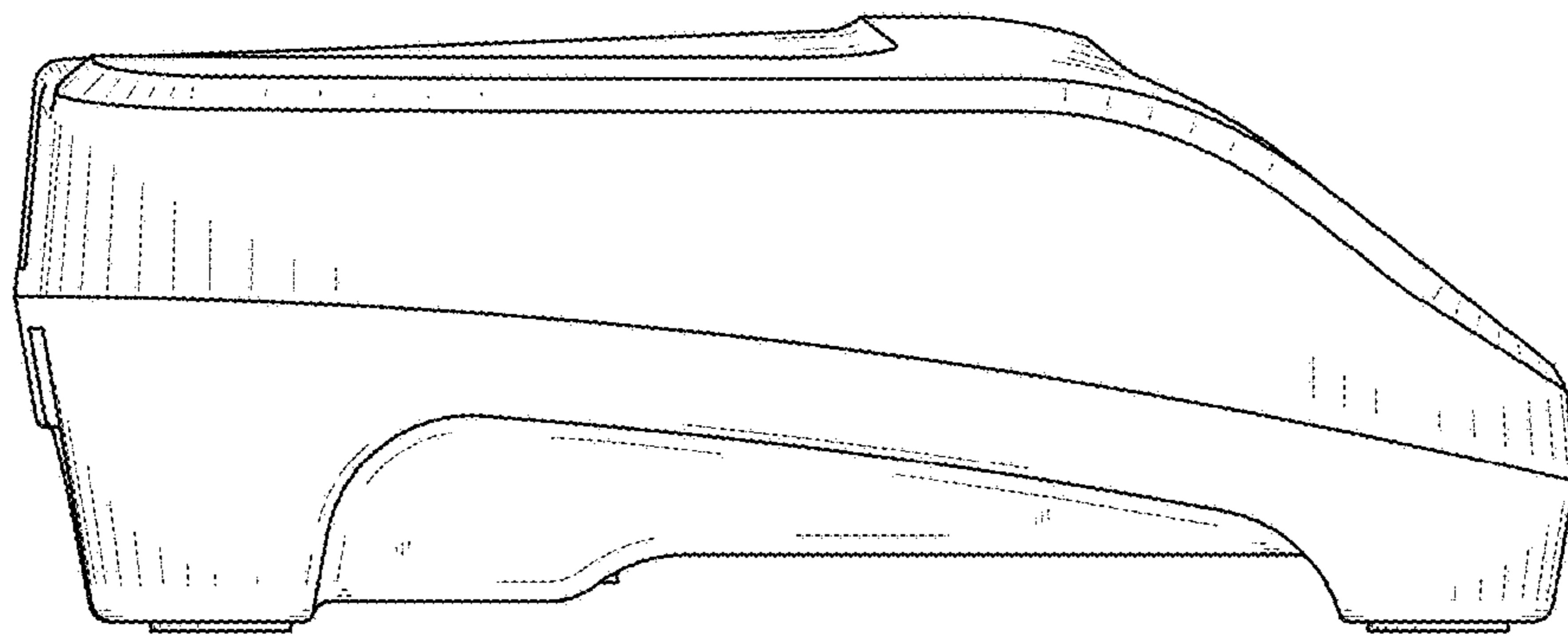


FIG. 7

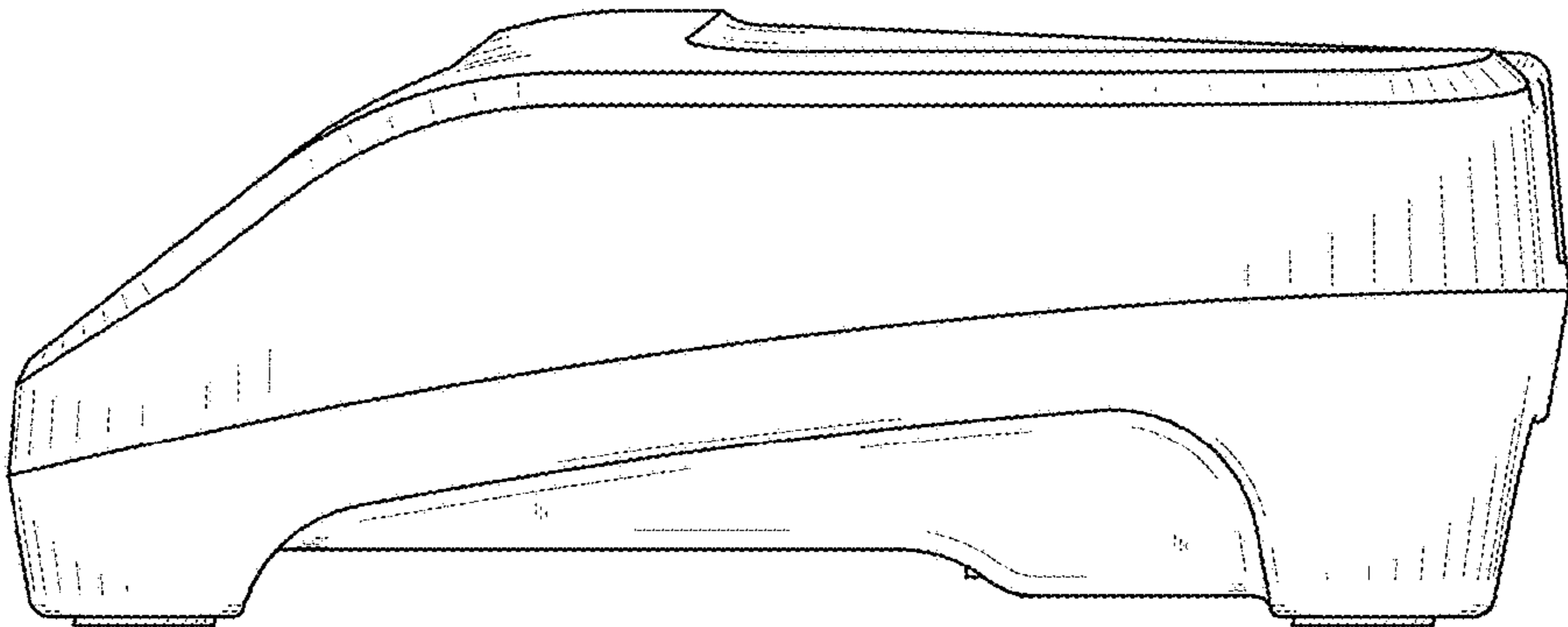


FIG. 8