



US00D866492S

(12) **United States Design Patent**
Cheng

(10) **Patent No.:** **US D866,492 S**

(45) **Date of Patent:** **** Nov. 12, 2019**

- (54) **MAGNET PLATE**
- (71) Applicant: **Ningbo Newland Magnet Industry Corporation Limited, Zhejiang (CN)**
- (72) Inventor: **Tinghai Cheng, Zhejiang (CN)**
- (**) Term: **15 Years**
- (21) Appl. No.: **29/621,994**
- (22) Filed: **Oct. 13, 2017**
- (30) **Foreign Application Priority Data**
Jul. 5, 2017 (CN) 2017 3 0291152
- (51) **LOC (12) Cl.** **13-99**
- (52) **U.S. Cl.**
USPC **D13/183**
- (58) **Field of Classification Search**
USPC D13/101, 118, 121, 173, 177, 183, 184, D13/199; D21/489, 491; 219/116, 624; 323/247, 250, 253; 334/59, 63, 70, 76; 336/83, 136, 182, 185, 208, 210, 212, 336/214, 218, 230, 232; D8/349, 353
CPC B29C 45/1742; B29C 2045/1746; B23Q 3/15; B25B 11/002; B65G 59/04; B65H 3/16; H01F 7/0252; Y10S 211/01
See application file for complete search history.

- 5,760,668 A * 6/1998 Testa B23Q 3/1546
206/350
- D451,367 S * 12/2001 Nakamura D8/330
- D575,313 S * 8/2008 Hull D15/141
- 8,031,038 B2 * 10/2011 Kimura B29C 45/1742
335/285
- D657,311 S * 4/2012 Chan D13/118
- D690,276 S * 9/2013 Shaw D13/178
- D739,349 S * 9/2015 Takahashi D13/118
- D763,116 S * 8/2016 Visconti D11/80
- D789,312 S * 6/2017 Wang D13/183

* cited by examiner

Primary Examiner — Derrick E Holland

(74) *Attorney, Agent, or Firm* — Prakash Nama; Global IP Services, PLLC

(57) **CLAIM**

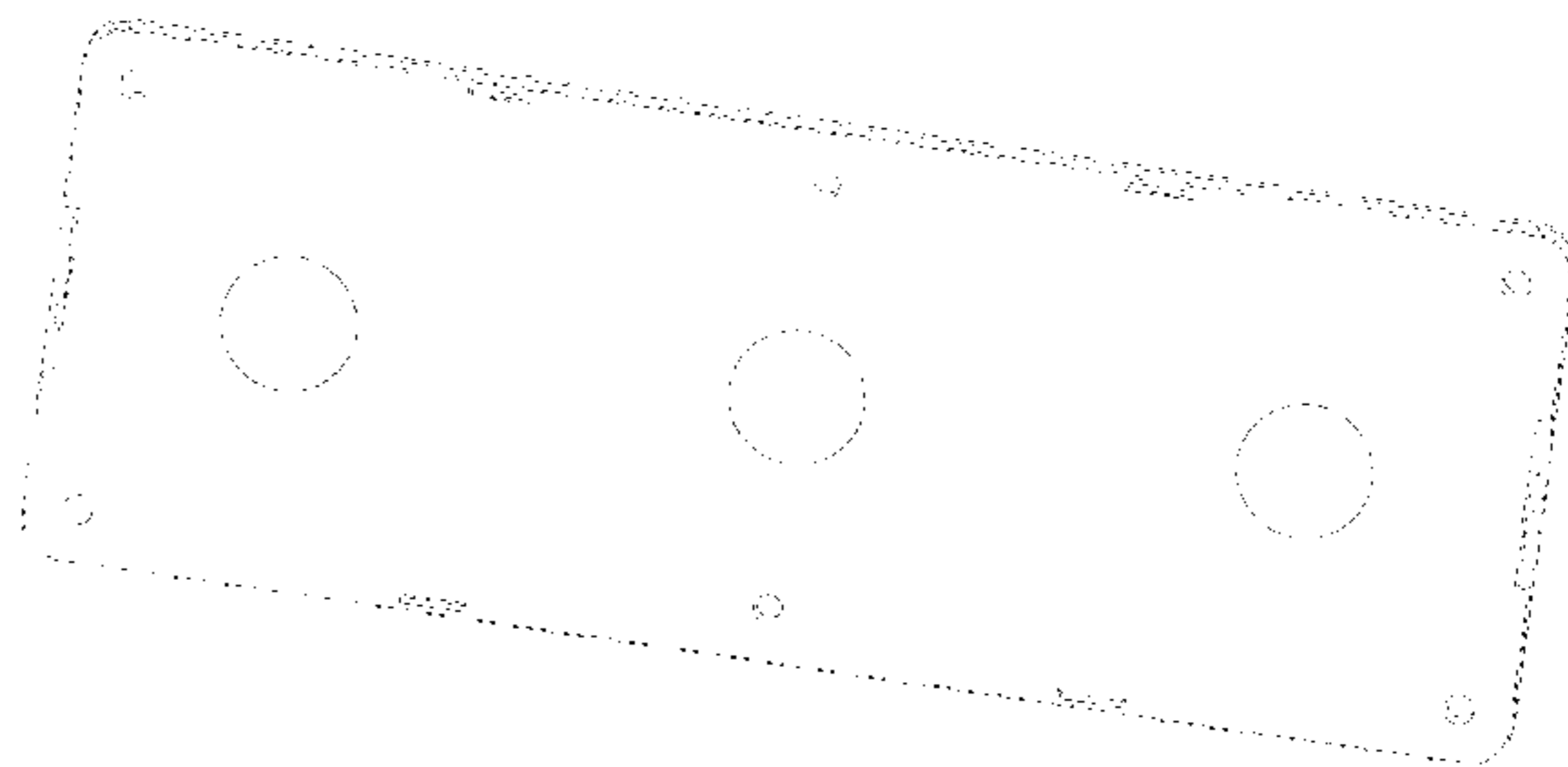
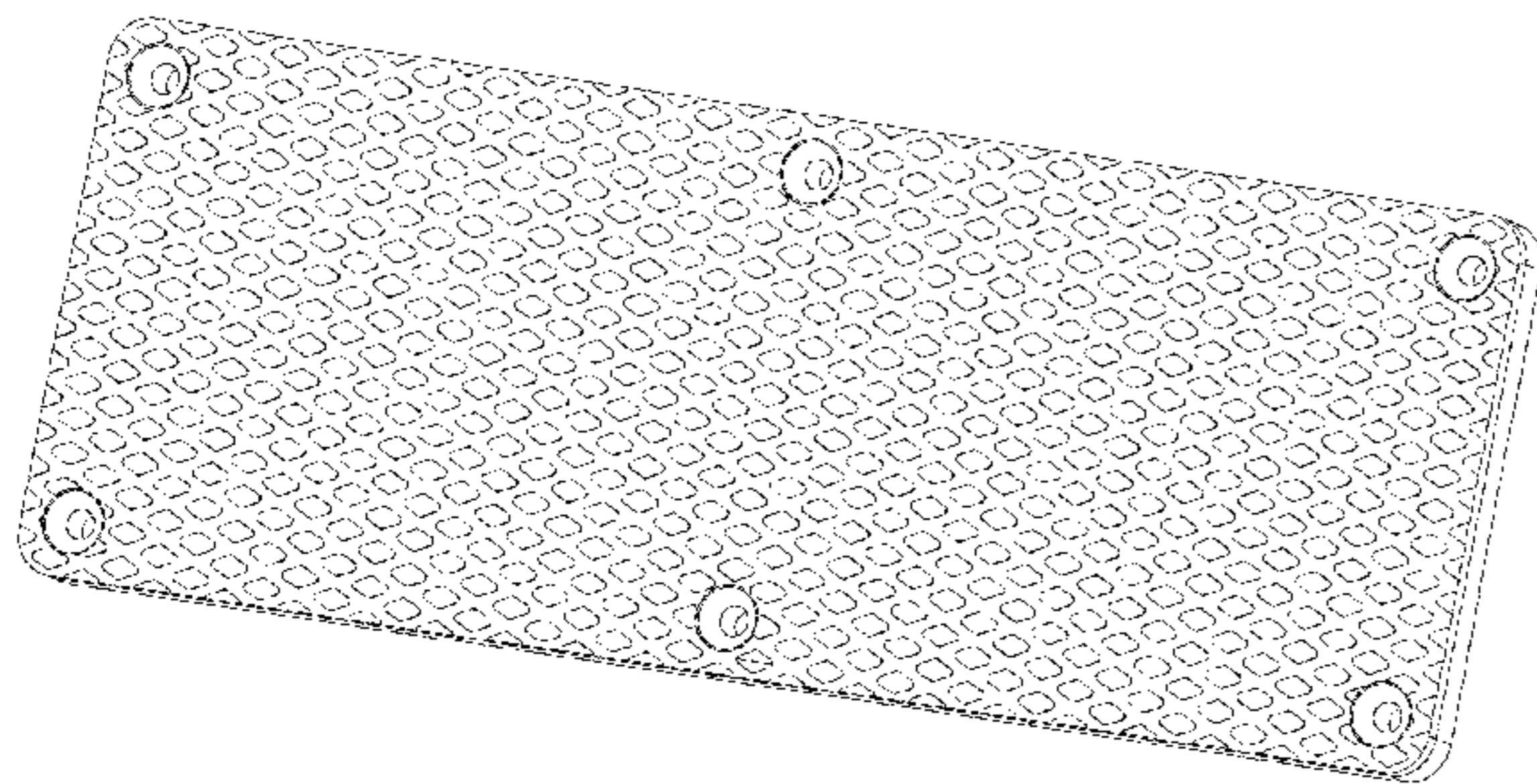
The ornamental design for a magnet plate, as shown.

DESCRIPTION

FIG. 1 is a front elevational view of a magnet plate showing my new design;
 FIG. 2 is a rear elevational view thereof;
 FIG. 3 is a left side view thereof;
 FIG. 4 is a right side view thereof;
 FIG. 5 is a top plan view thereof;
 FIG. 6 is a bottom plan view thereof;
 FIG. 7 is a perspective view thereof; and,
 FIG. 8 is another perspective view thereof.

1 Claim, 2 Drawing Sheets

- (56) **References Cited**
U.S. PATENT DOCUMENTS
D330,541 S * 10/1992 Burrow D13/118
D352,750 S * 11/1994 Kushner D21/485



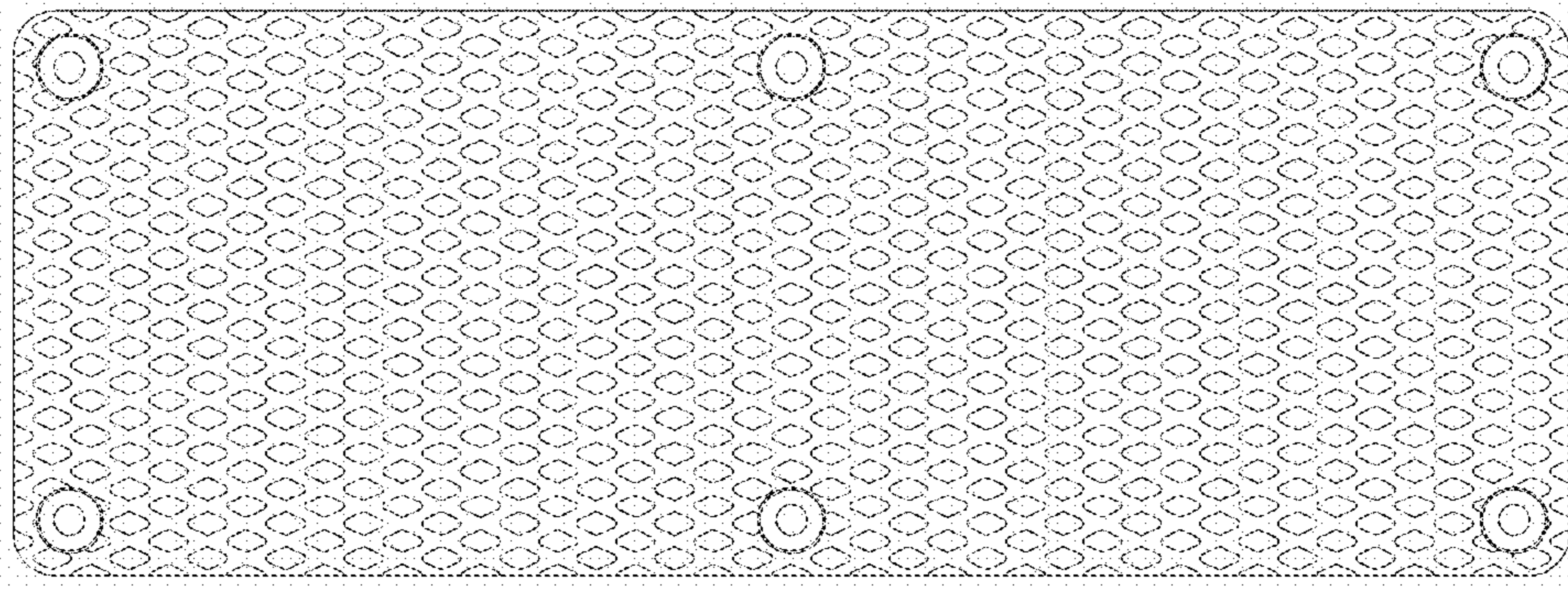


FIG. 1

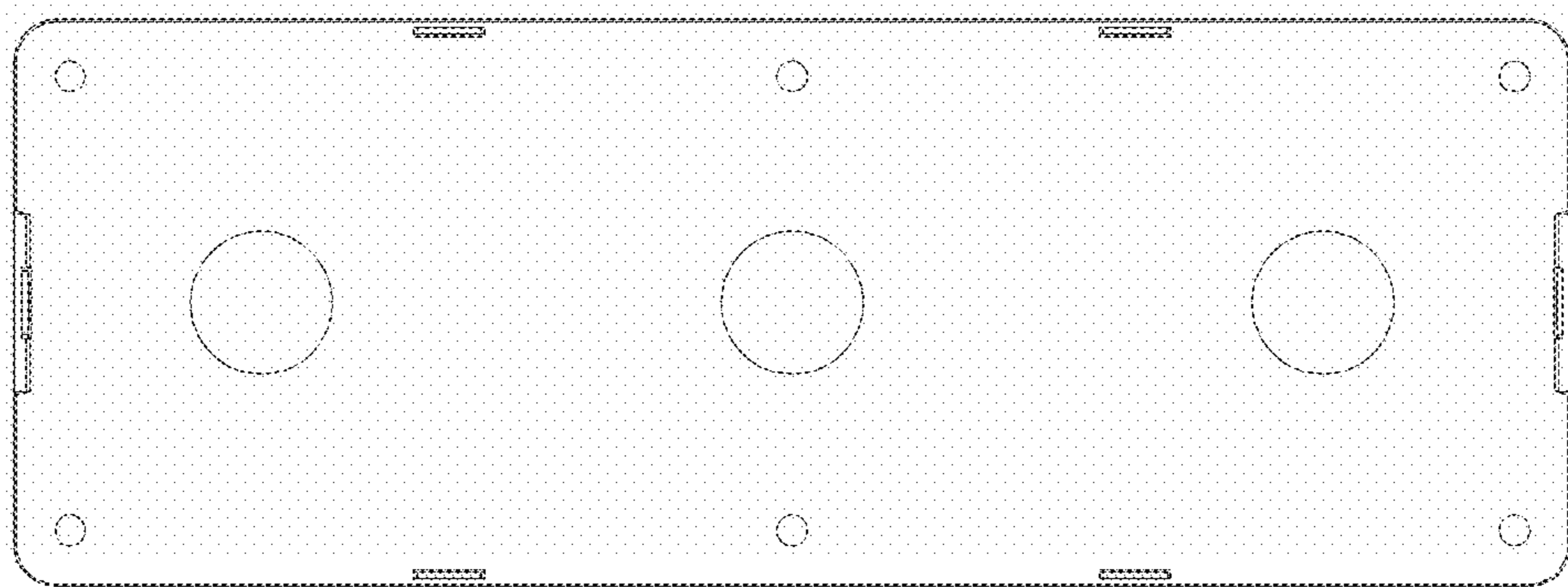


FIG. 2



FIG. 3

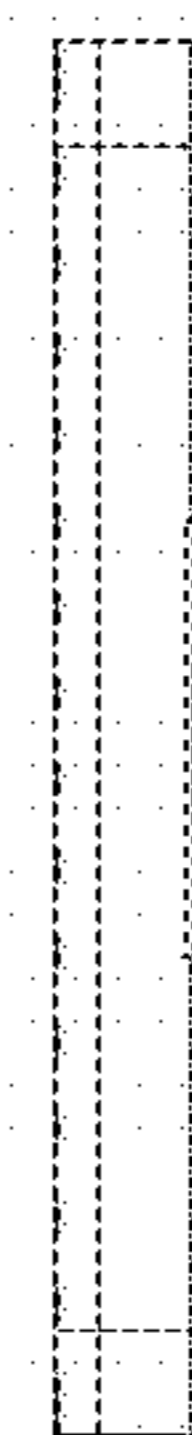


FIG. 4

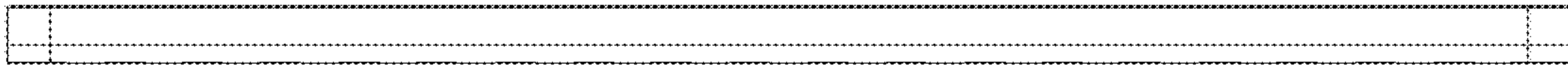


FIG. 5



FIG. 6

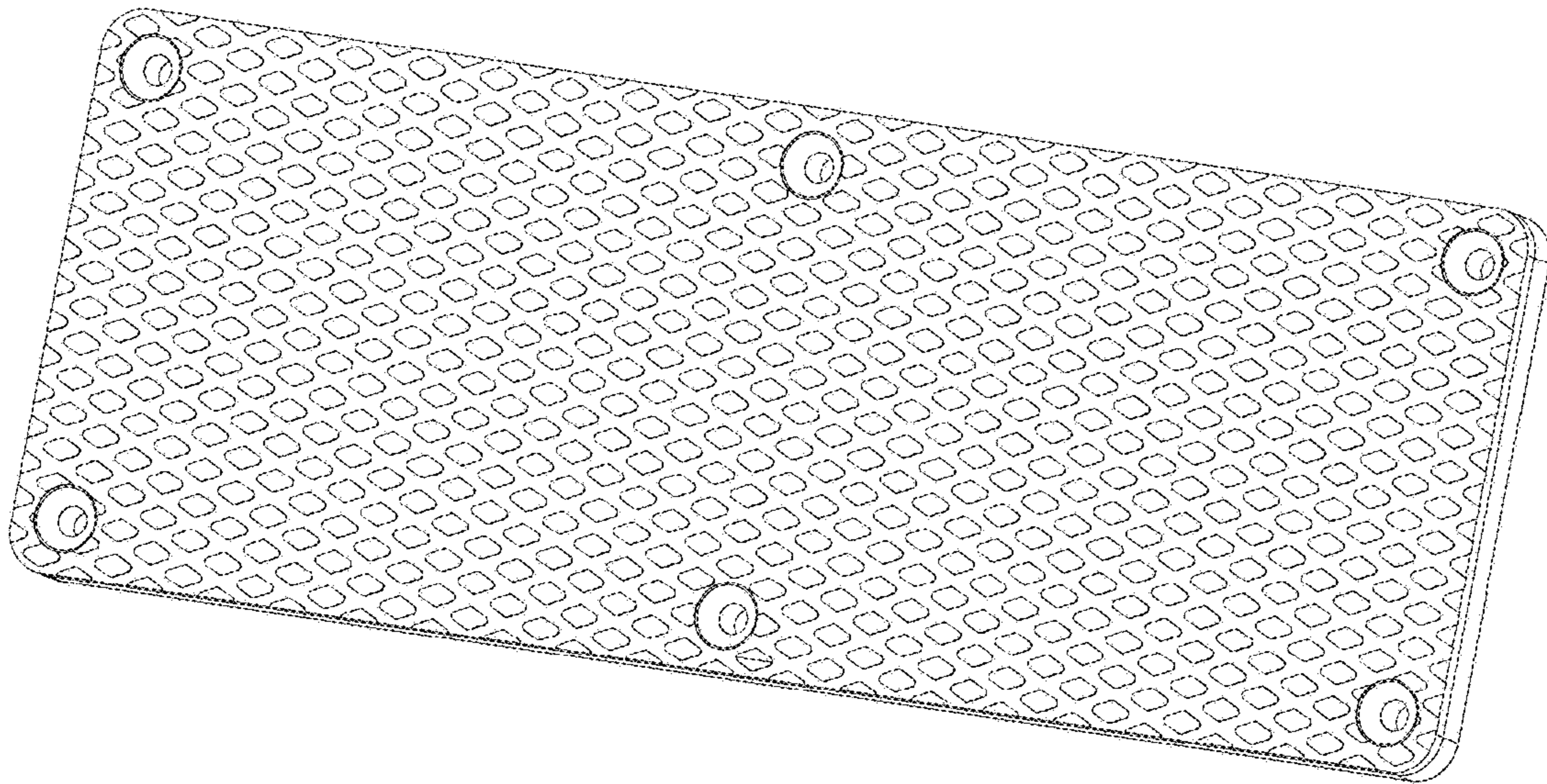


FIG. 7

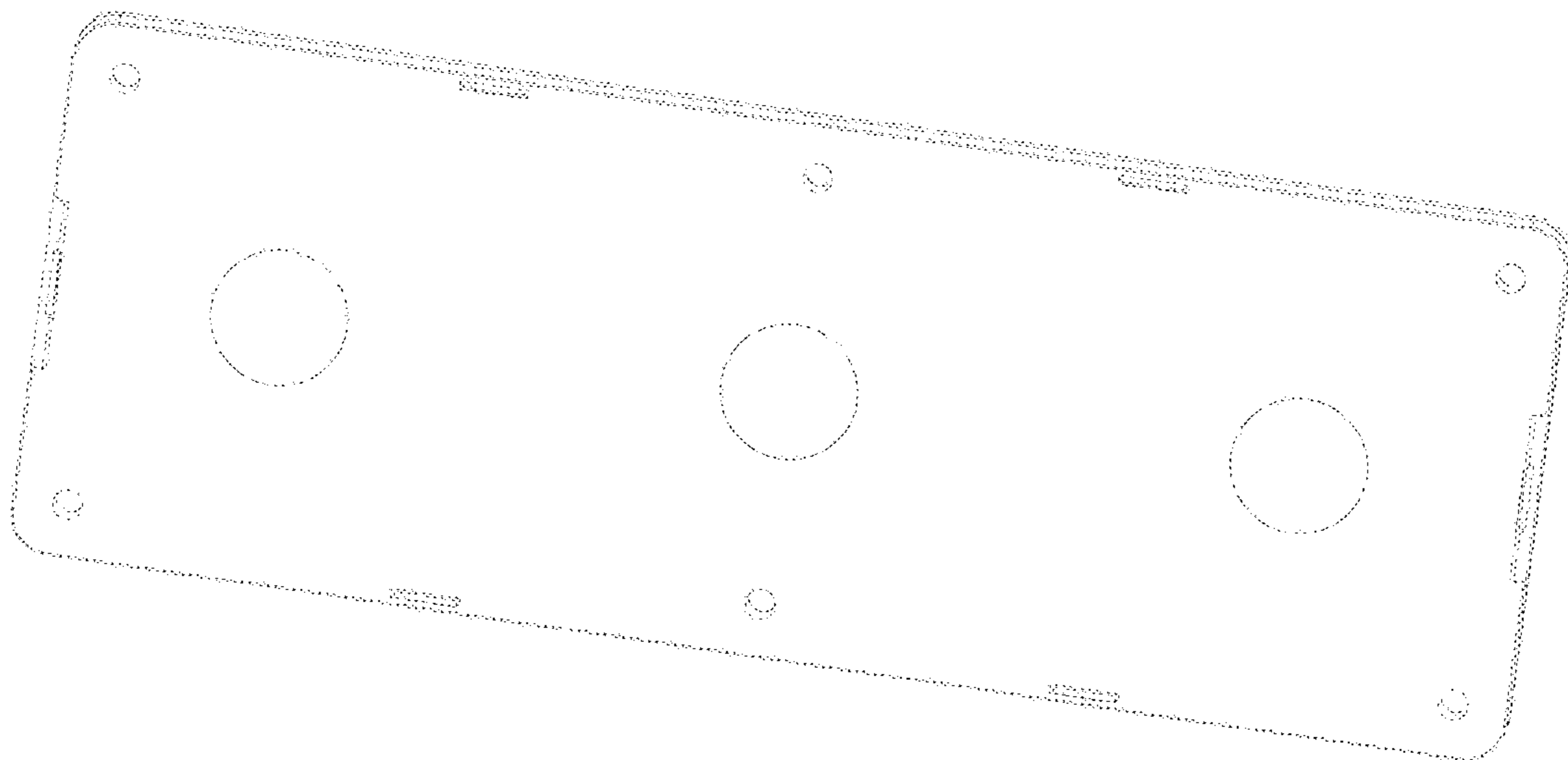


FIG. 8