



US00D866489S

(12) **United States Design Patent**
Ross

(10) **Patent No.:** **US D866,489 S**

(45) **Date of Patent:** **** Nov. 12, 2019**

- (54) **LAMP SWITCH GUARD**
- (71) Applicant: **William Alexander Ross**, Windsor (CA)
- (72) Inventor: **William Alexander Ross**, Windsor (CA)
- (**) Term: **15 Years**
- (21) Appl. No.: **29/637,507**
- (22) Filed: **Feb. 19, 2018**
- (51) **LOC (12) Cl.** **13-03**
- (52) **U.S. Cl.**
USPC **D13/173**
- (58) **Field of Classification Search**
USPC D13/173, 177, 199; D8/394
CPC H01H 3/022; H01H 9/20; H01H 9/28;
H01H 9/282; H01H 9/283; H01H 9/285;
H01H 9/287; H01H 2300/024; H02B 1/14
See application file for complete search history.

(56) **References Cited**

U.S. PATENT DOCUMENTS

- D372,224 S * 7/1996 Larned 200/43.19
- 5,563,387 A * 10/1996 Myers H01H 27/06
200/302.1

- 6,365,851 B1 * 4/2002 Gasper H01H 9/08
200/43.14
- 7,371,980 B2 * 5/2008 Marshall H01H 9/283
200/43.11
- D721,045 S * 1/2015 Gratz D13/173
- D798,828 S * 10/2017 Maloney D13/173
- 2003/0010613 A1 * 1/2003 Quapil H01H 3/20
200/43.01
- 2012/0047973 A1 * 3/2012 Su G05G 5/02
70/174
- 2015/0179368 A1 * 6/2015 Roe H01H 3/022
200/334

* cited by examiner

Primary Examiner — Selina Sikder

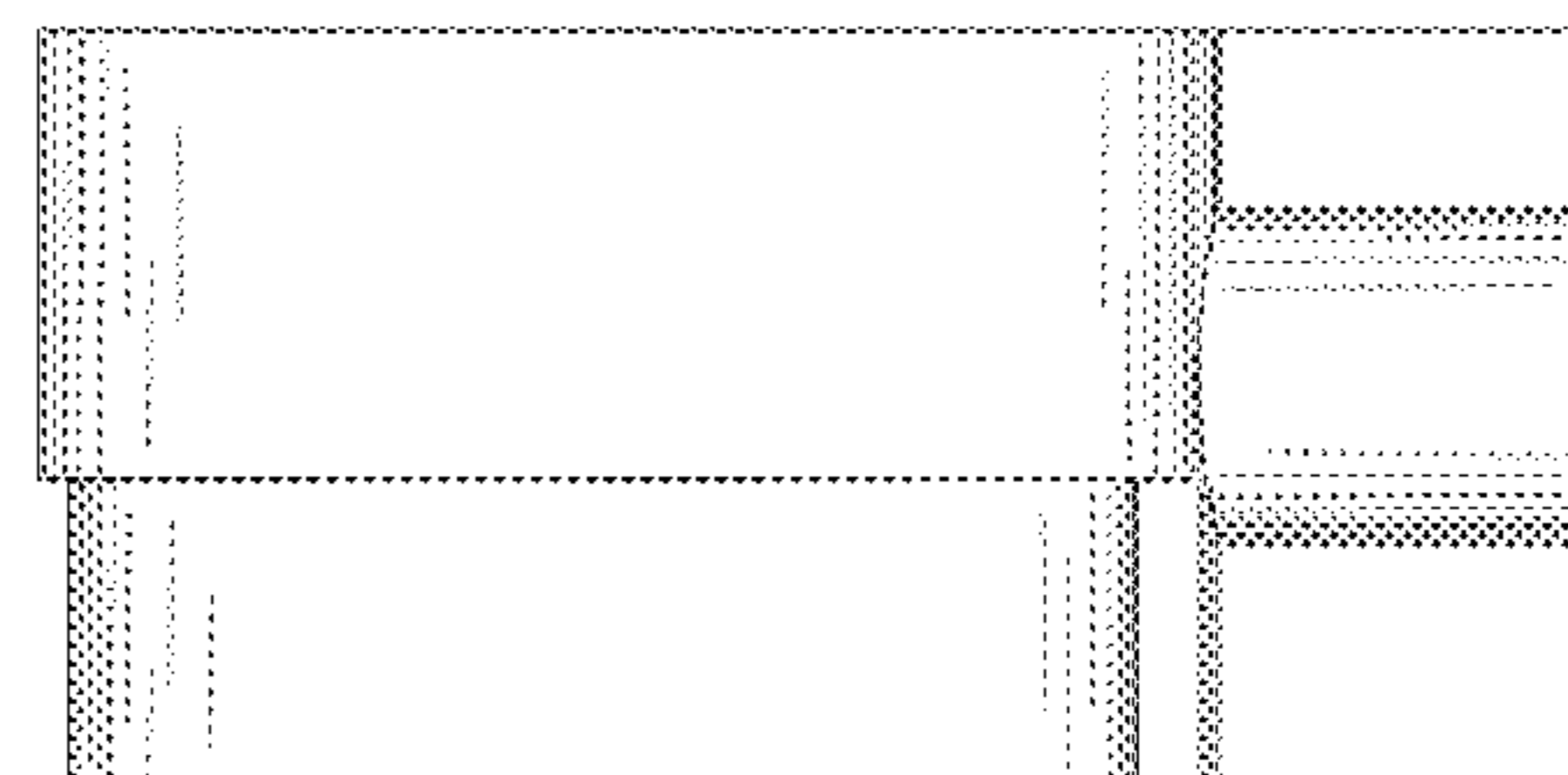
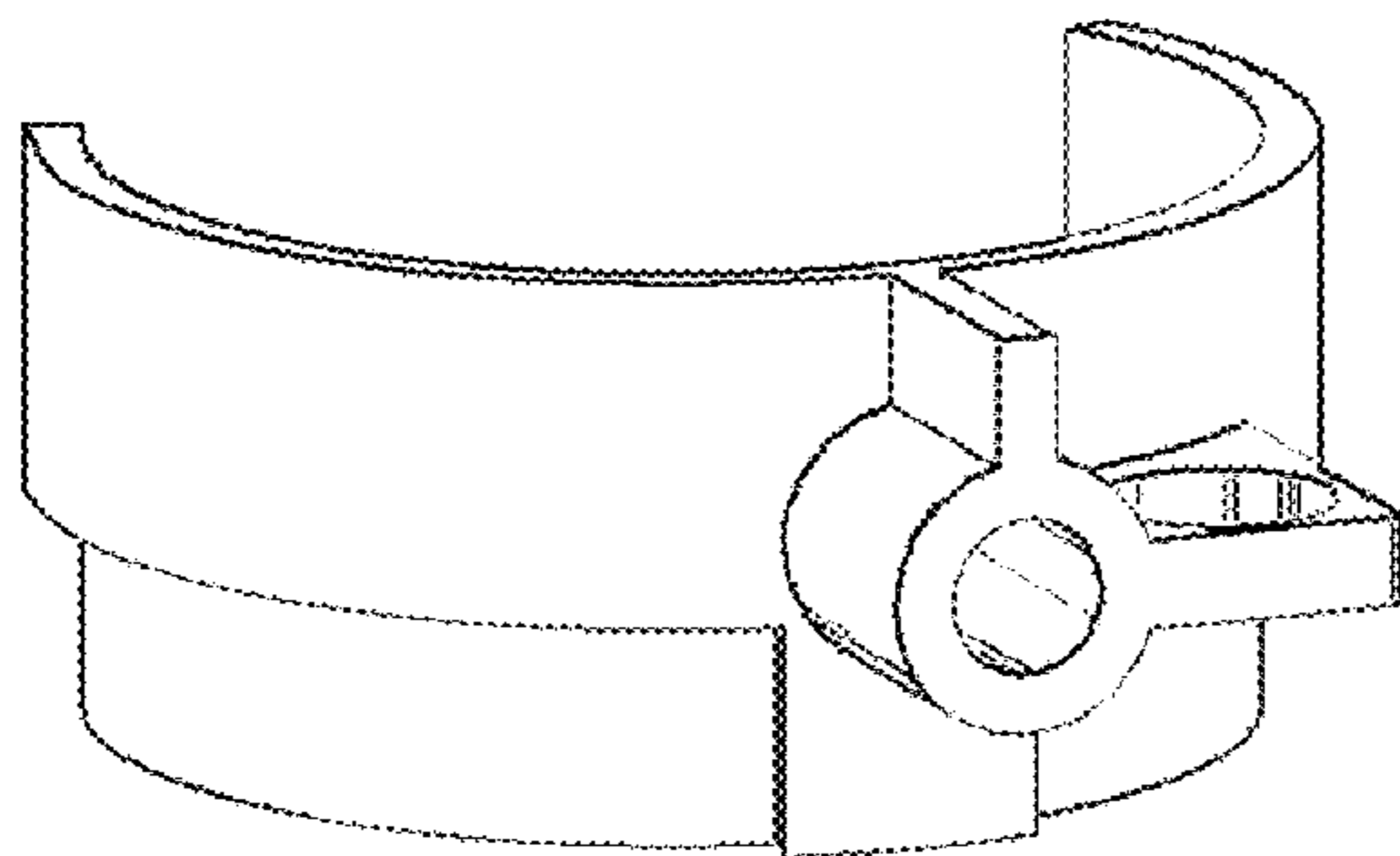
(57) **CLAIM**

I claim the ornamental design for a lamp switch guard, as shown and described.

DESCRIPTION

FIG. 1 is a perspective view of the lamp switch guard showing my new design;
 FIG. 2 is a front elevational view thereof;
 FIG. 3 is a rear elevational view thereof;
 FIG. 4 is a right side elevational view thereof;
 FIG. 5 is a left side elevational view thereof;
 FIG. 6 is a top plan view thereof; and,
 FIG. 7 is a bottom plan view thereof.

1 Claim, 4 Drawing Sheets



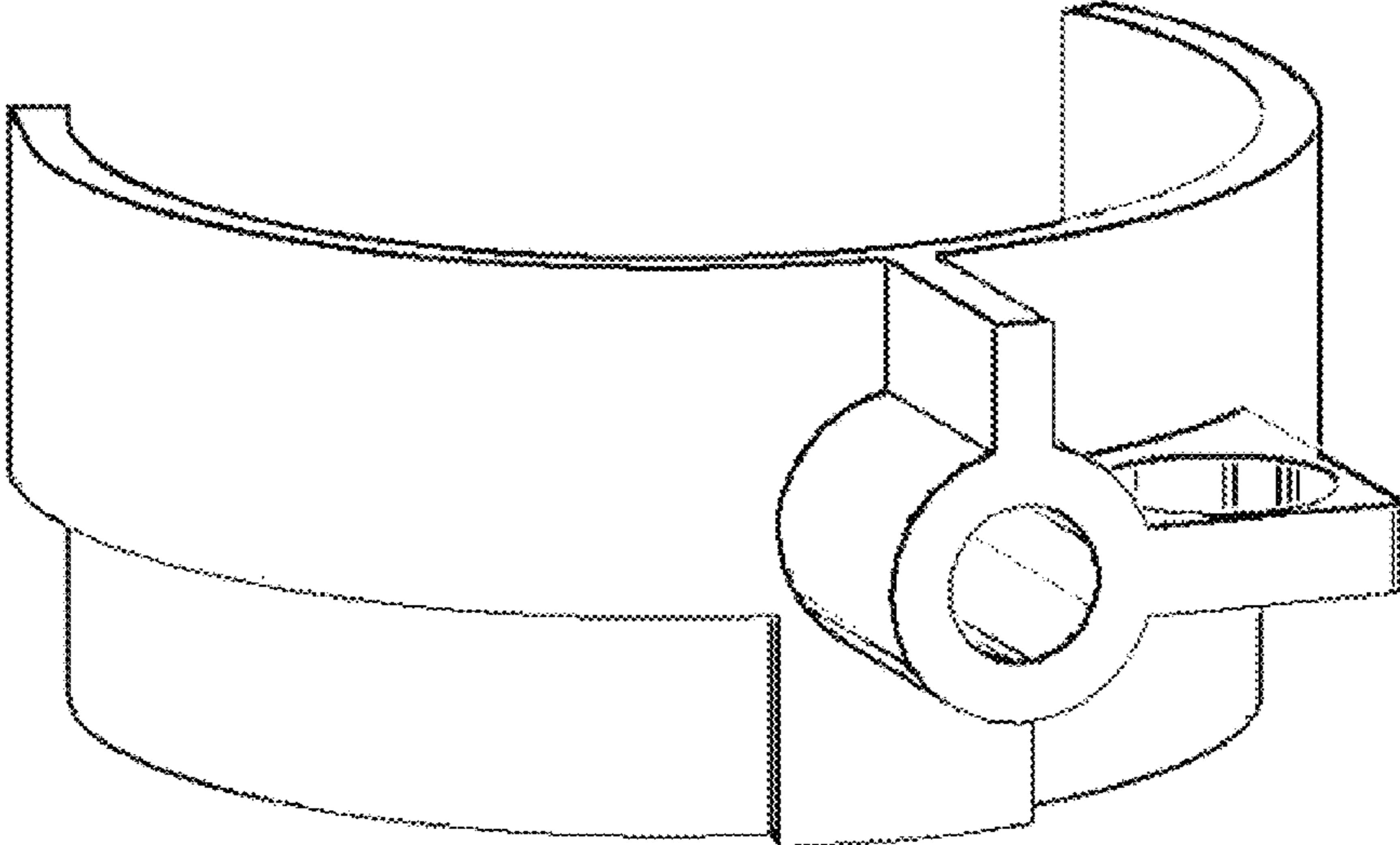


FIG. 1

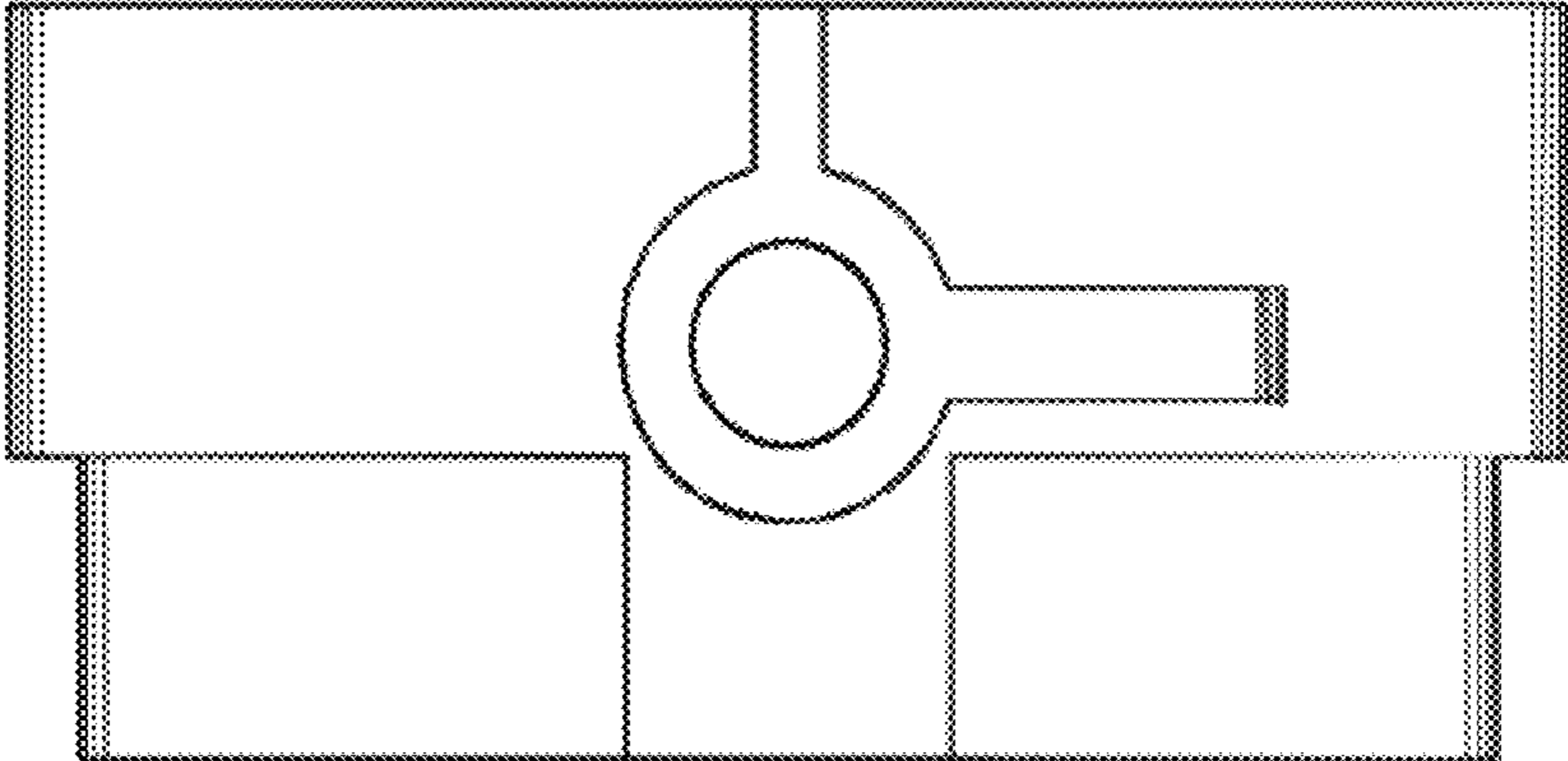


FIG. 2

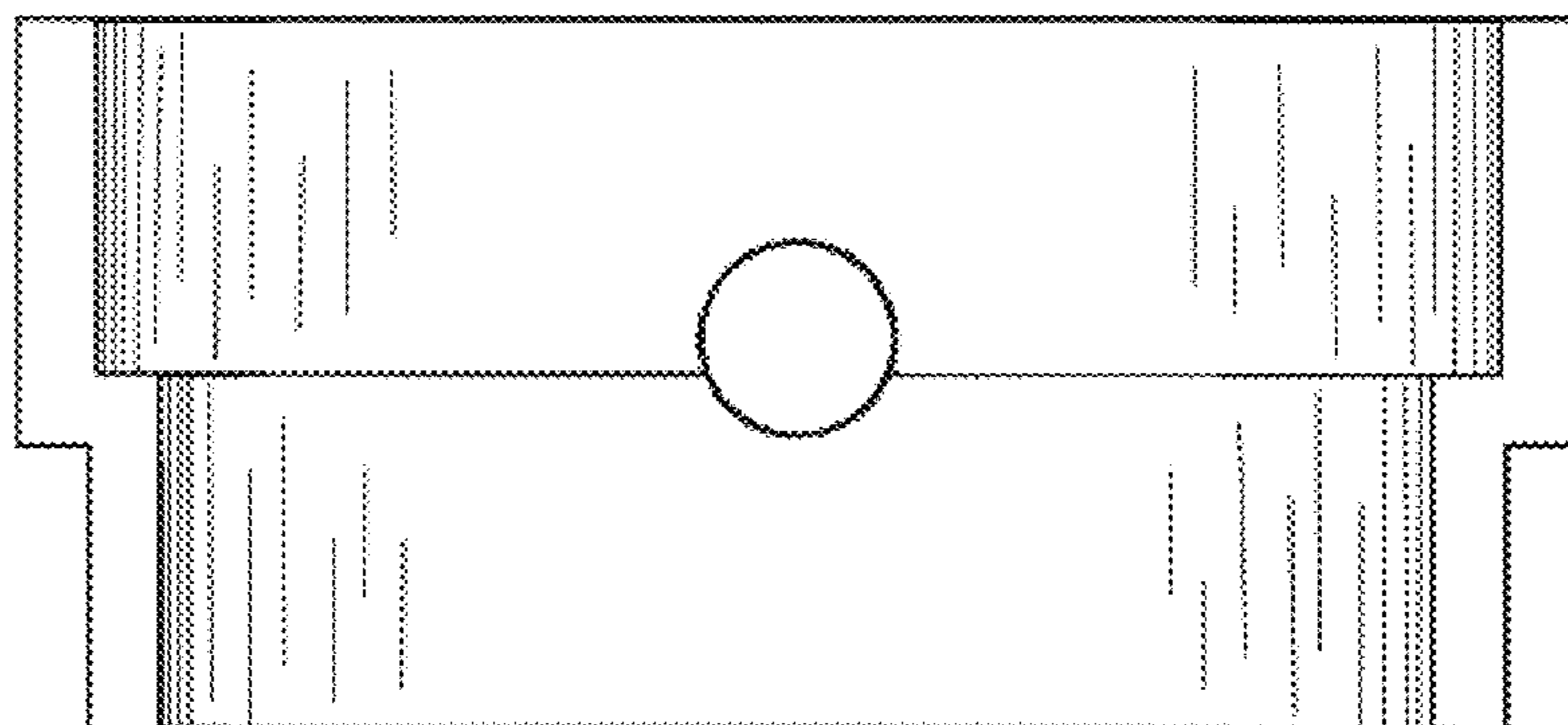


FIG. 3

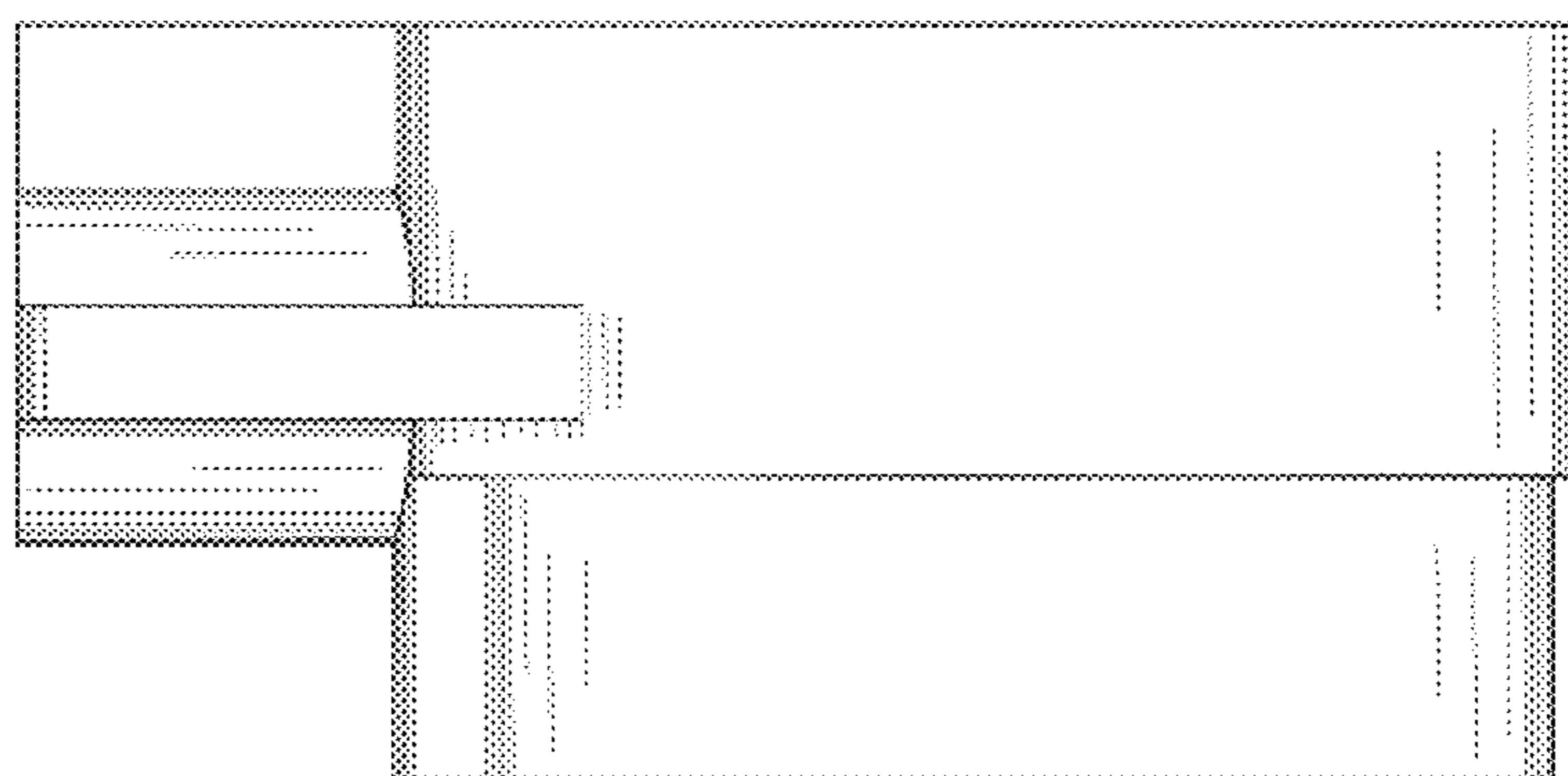


FIG. 4



FIG. 5

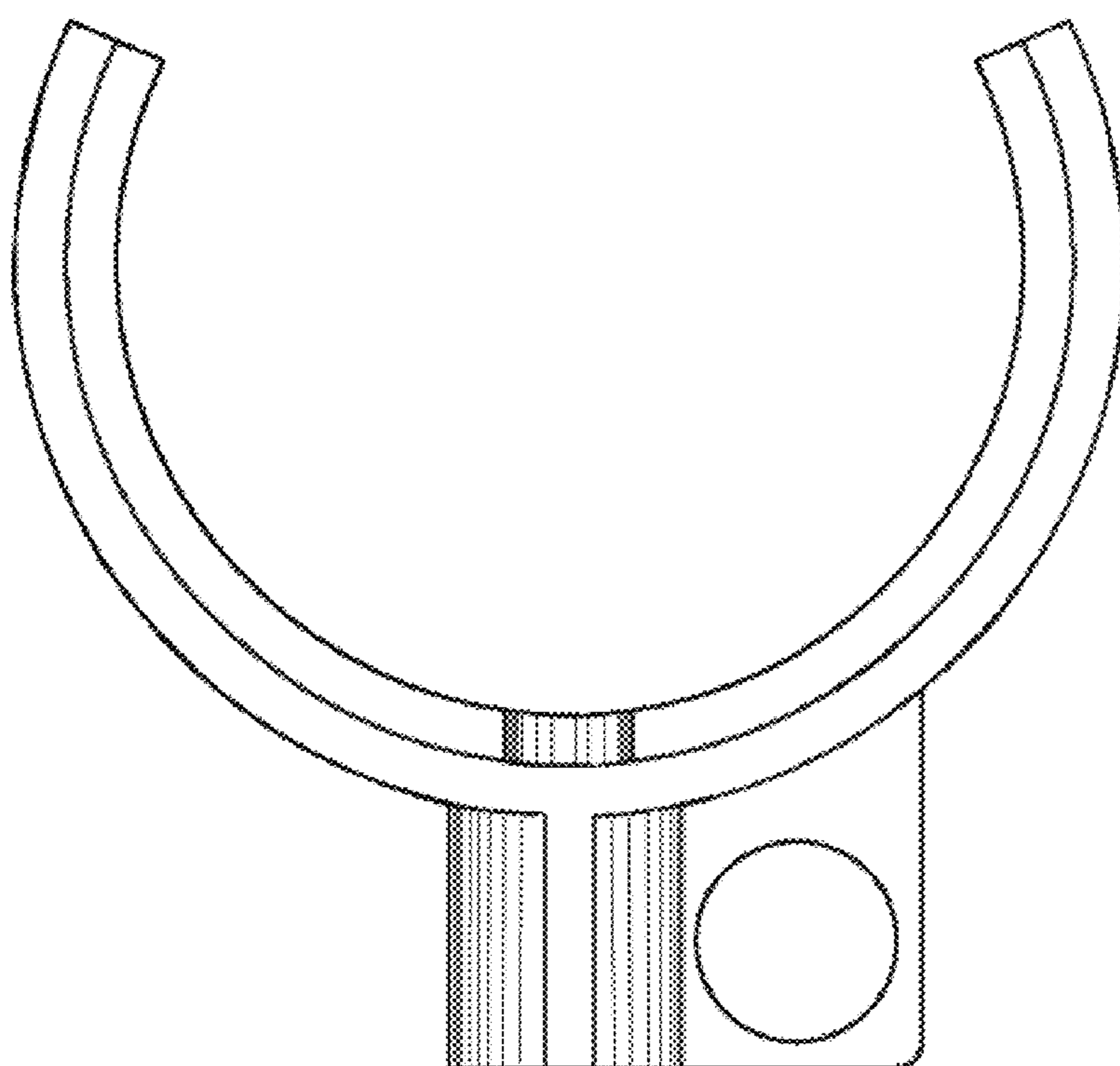


FIG. 6

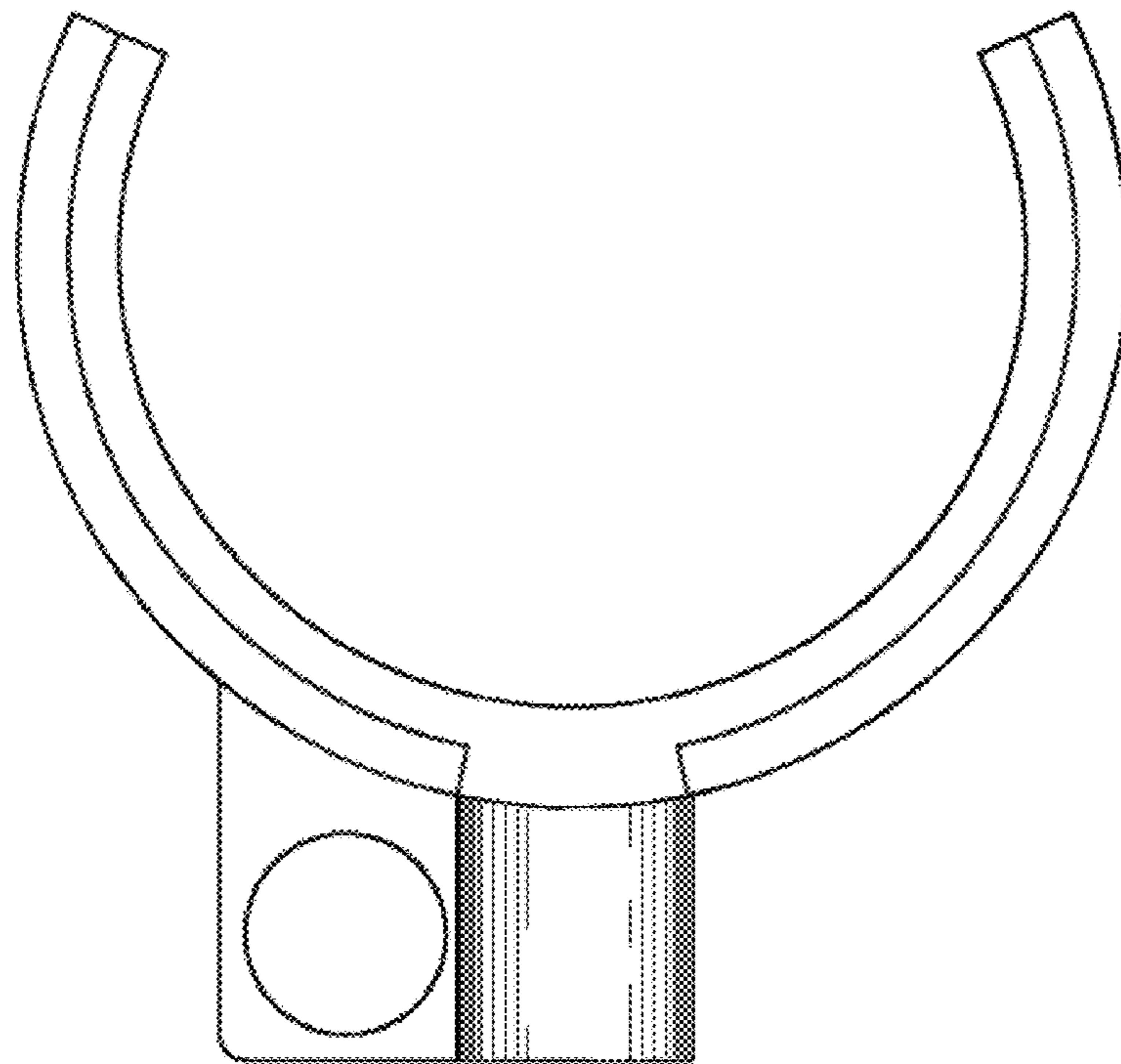


FIG. 7