



US00D866487S

(12) **United States Design Patent**
Dorman

(10) **Patent No.:** **US D866,487 S**

(45) **Date of Patent:** **** Nov. 12, 2019**

(54) **CONTROL BUTTON FOR AN ARTICLE OF CLOTHING**

2,567,192 A 9/1951 De Grazia
2,581,366 A 1/1952 De Grazia
2,685,021 A 7/1954 Duncan

(Continued)

(71) Applicant: **MILWAUKEE ELECTRIC TOOL CORPORATION**, Brookfield, WI (US)

FOREIGN PATENT DOCUMENTS

(72) Inventor: **Justin D. Dorman**, Wauwatosa, WI (US)

CN 1258201 6/2000
CN 300874882 1/2009

(Continued)

(73) Assignee: **MILWAUKEE ELECTRIC TOOL CORPORATION**, Brookfield, WI (US)

OTHER PUBLICATIONS

(**) Term: **15 Years**

“Convertible Heated Soft-shell Jacket”, <http://www.plusheat.com/by-brand/convertible-heated-soft-shell-jacket.html>, pp. 1-20, 2010.
Battery Powered 12V Compatible, <http://www.electricblanket.net/p-96-heated-electric-jacket-battery-12-volt-compatible.aspx>, pp. 1-4, 1999.

(Continued)

(21) Appl. No.: **29/634,970**

(22) Filed: **Jan. 26, 2018**

Related U.S. Application Data

(62) Division of application No. 29/483,511, filed on Feb. 28, 2014, now Pat. No. Des. 808,616.

(51) **LOC (12) Cl.** **02-02**

(52) **U.S. Cl.**
USPC **D13/168; D2/837**

(58) **Field of Classification Search**
USPC D2/828, 836, 837, 839; D11/201, 216, D11/222; D13/168; D14/218
See application file for complete search history.

Primary Examiner — John Windmuller

(74) *Attorney, Agent, or Firm* — Michael Best & Friedrich LLP

(57) **CLAIM**

I claim the ornamental design for a control button for an article of clothing, as shown and described.

DESCRIPTION

FIG. 1 is a front perspective view of a control button for an article of clothing.

FIG. 2 is a front view of the control button shown in FIG. 1.

FIG. 3 is a left side view of the control button shown in FIG. 1.

FIG. 4 is a right side view of the control button shown in FIG. 1.

FIG. 5 is a top view of the control button shown in FIG. 1; and,

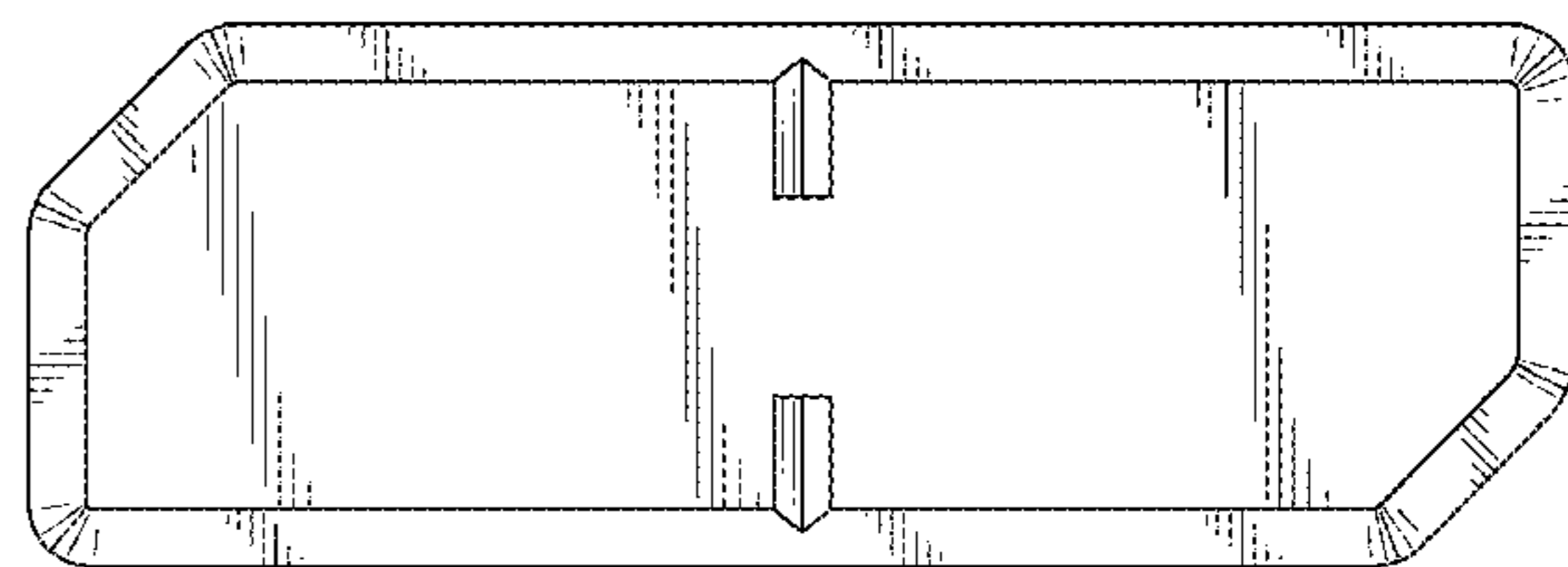
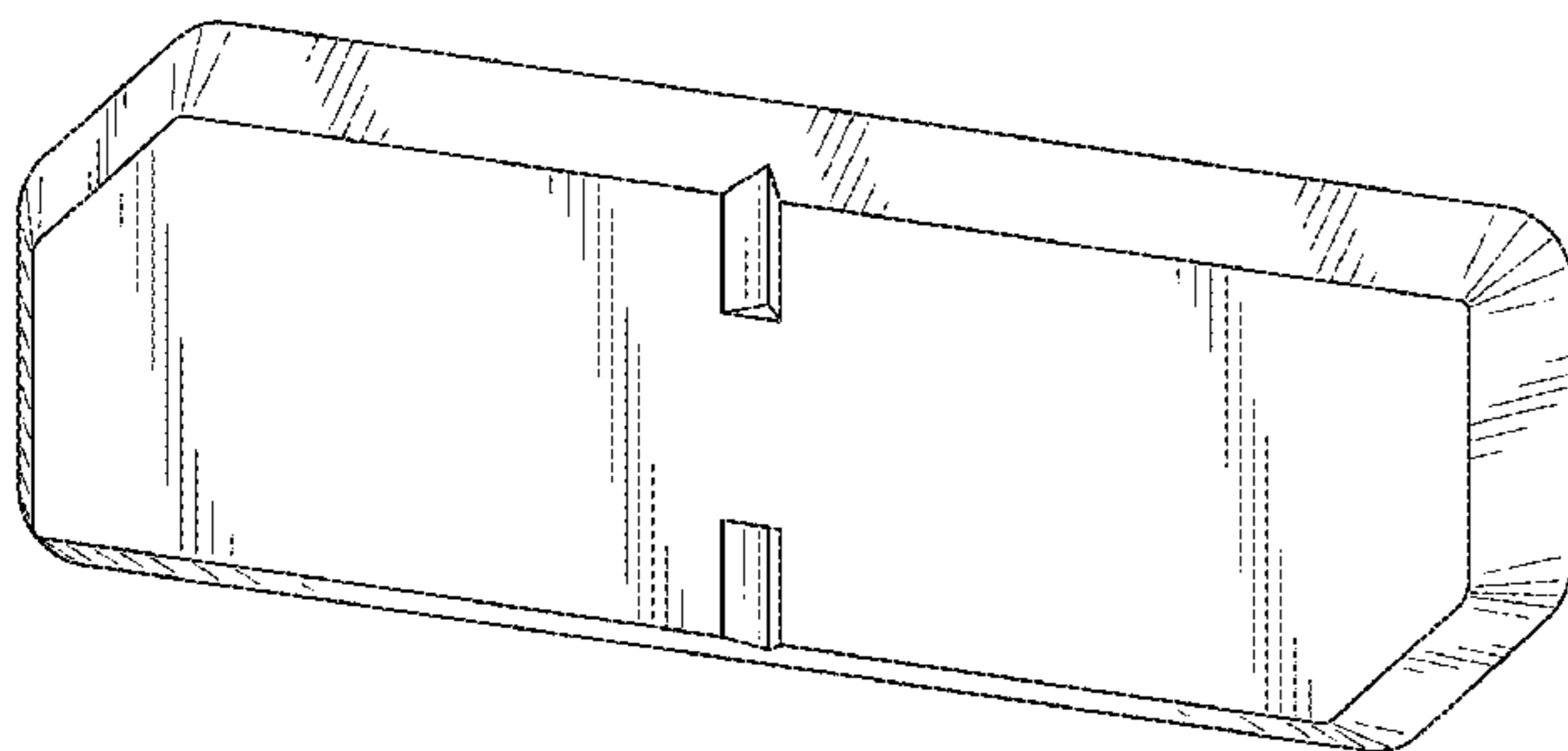
FIG. 6 is a bottom view of the control button shown in FIG. 1.

1 Claim, 2 Drawing Sheets

(56) **References Cited**

U.S. PATENT DOCUMENTS

1,288,408 A 12/1918 Hait et al.
1,691,472 A 11/1928 Graham et al.
1,702,583 A 2/1929 Williams
2,150,251 A 3/1939 Shanhouse
2,156,504 A 5/1939 Liss
D115,484 S 6/1939 Smith
2,277,772 A 3/1942 Marick
2,462,361 A 2/1949 Cassens



(56)

References Cited

U.S. PATENT DOCUMENTS

2,707,284 A	5/1955	Artzt	5,893,991 A	4/1999	Newell
2,727,241 A	12/1955	Smith	D414,013 S	9/1999	Group
2,873,449 A	2/1959	Herbert	5,953,758 A	9/1999	Foster
D189,233 S	11/1960	Gardner et al.	D414,913 S	10/1999	Katz et al.
3,084,241 A	4/1963	Carrona	5,977,517 A	11/1999	Grosjean
3,125,762 A	3/1964	Glahe	D421,329 S	3/2000	Adams
3,293,405 A	12/1966	Costanzo	6,049,062 A	4/2000	Jones
3,392,264 A	7/1968	Arron	6,060,693 A	5/2000	Brown
3,398,406 A	8/1968	Waterbury	6,078,025 A	6/2000	Yeung
3,501,616 A	3/1970	Arron	D429,058 S	8/2000	Derosier
3,663,796 A	5/1972	Hines et al.	6,098,612 A	8/2000	Nakamoto et al.
3,748,436 A	7/1973	Cossaboom	6,119,270 A	9/2000	Chou
3,953,935 A	5/1976	Reiner et al.	6,155,841 A	12/2000	Spanyar
3,988,780 A	11/1976	Armellino	D437,673 S	2/2001	DesJardins et al.
3,989,924 A	11/1976	Kurtzer	6,199,210 B1	3/2001	Feldman
3,999,037 A	12/1976	Metcalf, Sr.	D439,727 S	4/2001	Hosogai
4,273,989 A	6/1981	Hinton et al.	6,232,674 B1	5/2001	Frey et al.
4,279,255 A	7/1981	Hoffman	6,239,410 B1	5/2001	Tackore
4,302,850 A	12/1981	Maeshima	6,319,015 B1	11/2001	Faunce
4,322,858 A	4/1982	Douglas	6,320,161 B1	11/2001	Hansen, Jr.
4,404,460 A	9/1983	Kerr	6,329,638 B1	12/2001	Bloodworth
D271,154 S	11/1983	Dowling	6,333,570 B1	12/2001	Ilg
4,470,155 A	9/1984	Maeshima	6,342,692 B1	1/2002	Hart et al.
4,475,252 A	10/1984	Peyser et al.	6,350,129 B1	2/2002	Gorlick
4,483,020 A	11/1984	Dunn	6,374,418 B1	4/2002	Rindle
4,507,877 A	4/1985	Vaccari et al.	D457,711 S	5/2002	Mahhabir et al.
4,539,700 A	9/1985	Sato	6,408,440 B1	6/2002	Phillips
4,554,682 A	11/1985	Hillquist	6,439,942 B1	8/2002	Pillai et al.
4,589,134 A	5/1986	Waldron	D463,094 S	9/2002	Haselmayer et al.
4,645,325 A	2/1987	Inoue et al.	6,450,168 B1	9/2002	Nguyen
4,646,366 A	3/1987	Nishida et al.	6,550,471 B2	4/2003	Szymocha et al.
4,777,344 A	10/1988	Nash et al.	6,558,016 B1	5/2003	Restauro
4,827,534 A	5/1989	Haugen	6,561,814 B2	5/2003	Tilbury et al.
D301,797 S	6/1989	Lariviere	6,563,424 B1	5/2003	Kaario
4,860,388 A	8/1989	Dean	6,598,235 B2	7/2003	Bulla
4,876,724 A	10/1989	Suzuki	6,649,873 B1	11/2003	Cintron, Jr. et al.
D306,511 S	3/1990	Jones	6,651,254 B1	11/2003	Chang
D309,665 S	8/1990	Moseley	6,654,963 B2	12/2003	Fayle et al.
4,985,934 A	1/1991	Perry	D487,426 S	3/2004	Johnson
5,008,517 A	4/1991	Brekstran et al.	6,738,984 B2	5/2004	Gillen et al.
D318,362 S	7/1991	Aiken	6,792,124 B2	9/2004	Tilbury et al.
5,032,705 A	7/1991	Batchellar et al.	D498,037 S	11/2004	Bay
5,101,511 A	4/1992	Elverskog	6,826,782 B2	12/2004	Jordan
5,101,515 A	4/1992	Holt et al.	6,840,955 B2	1/2005	Ein
5,105,067 A	4/1992	Brekstran et al.	6,854,988 B2	2/2005	Marmaropoulos et al.
5,148,002 A	9/1992	Kuo et al.	6,888,111 B1	5/2005	Tobin
D330,106 S	10/1992	Aubuchon et al.	D508,601 S	8/2005	Hoyt
5,158,039 A	10/1992	Clark	6,963,055 B2	11/2005	Rock et al.
5,169,225 A	12/1992	Palm	D526,467 S	8/2006	Kent
D332,514 S	1/1993	Brandoff	D526,469 S	8/2006	Collier
5,206,957 A	5/1993	Gulick	D527,868 S	9/2006	Wager
5,230,333 A	7/1993	Yates et al.	D529,687 S	10/2006	Rindle
D338,773 S	8/1993	Wilde	7,117,538 B2	10/2006	Bosne et al.
5,245,721 A	9/1993	Lowe et al.	D539,508 S	4/2007	Rogers et al.
D341,471 S	11/1993	Cross	7,210,939 B2	5/2007	Marmaropou et al.
5,302,806 A	4/1994	Simmons et al.	7,230,206 B1	6/2007	Randall
5,302,807 A	4/1994	Zhao	D551,429 S	9/2007	Wager
D356,883 S	4/1995	Ganahl	D553,329 S	10/2007	Wager
5,416,310 A	5/1995	Little	D553,330 S	10/2007	Wager
5,451,747 A	9/1995	Sullivan et al.	D555,878 S	11/2007	Bay
5,465,424 A	11/1995	Cudney et al.	D566,927 S	4/2008	Graham et al.
5,471,767 A	12/1995	Walker	D568,581 S	5/2008	Wager
5,499,401 A	3/1996	Heinmiller	7,375,308 B2	5/2008	Ferguson
5,603,646 A	2/1997	Tobias	D573,312 S	7/2008	Siepmann
5,605,144 A	2/1997	Simmons et al.	D580,630 S	11/2008	Adams et al.
5,606,346 A	2/1997	Tobias	7,448,874 B2	11/2008	Willis
5,611,085 A	3/1997	Rasmussen	7,462,035 B2	12/2008	Lee et al.
5,617,583 A	4/1997	Yates et al.	RE40,613 E	1/2009	Jordan
D385,088 S	10/1997	Handysides	D584,482 S	1/2009	Marsh
5,777,296 A	7/1998	Bell	7,476,104 B2	1/2009	Marmaropoulos et al.
5,784,626 A	7/1998	Odaohara	D588,338 S	3/2009	Self
5,826,273 A	10/1998	Eckes	D588,783 S	3/2009	Olstorn
5,832,538 A	11/1998	Williams	7,496,969 B2	3/2009	Pieczynski
D402,788 S	12/1998	Blankenship, Jr.	7,519,192 B1	4/2009	Laycock et al.
5,866,881 A	2/1999	Jones, III	7,559,768 B2	7/2009	Marmaropoulos et al.
			7,560,664 B2	7/2009	Ford et al.
			D598,639 S	8/2009	Holder
			7,618,260 B2	11/2009	Daniel et al.
			7,624,453 B2	12/2009	Rene et al.

(56)

References Cited

U.S. PATENT DOCUMENTS

7,651,016 B2	1/2010	Stewart	D754,947 S	5/2016	Borovicka
D609,432 S	2/2010	Jennings	D755,478 S	5/2016	Grosbol
7,653,949 B2	2/2010	Kraus et al.	D757,398 S	5/2016	Ingram
D615,731 S	5/2010	Oneto, Sr.	D765,351 S	9/2016	Shaw
7,731,517 B2	6/2010	Lee et al.	D768,581 S *	10/2016	Spira D13/168
7,739,748 B2	6/2010	Nilforushan et al.	D817,897 S *	5/2018	Lin D13/164
7,753,685 B2	7/2010	Lee et al.	D828,816 S *	9/2018	Spors D13/162
D622,937 S	9/2010	Bay	D842,149 S *	3/2019	Haag D10/98
7,816,628 B2	10/2010	Fernandez et al.	D842,819 S *	3/2019	Maetani D13/168
7,816,632 B2	10/2010	Bourke, III et al.	D843,867 S *	3/2019	Haag D10/98
D626,725 S	11/2010	Snyder et al.	D844,570 S *	4/2019	Kornacki D13/162
D627,540 S	11/2010	Claeys	2001/0047992 A1	12/2001	Deangelis et al.
D628,771 S	12/2010	Kanada et al.	2002/0076949 A1	6/2002	Tilbury et al.
D631,393 S *	1/2011	Shani D11/216	2002/0142112 A1	10/2002	Tarrell
D632,215 S *	2/2011	Shani D11/216	2003/0051286 A1	3/2003	Gregg
7,886,368 B2	2/2011	Hood	2003/0074712 A1	4/2003	Liao
D636,973 S	5/2011	Smith et al.	2004/0069761 A1	4/2004	Carr et al.
D638,612 S	5/2011	Benderradji	2004/0070996 A1	4/2004	Carr
D639,025 S	6/2011	Holder	2004/0133962 A1	7/2004	Baumel
7,959,351 B1	6/2011	Thorpe	2004/0143884 A1	7/2004	Majerfeld
7,966,667 B2	6/2011	Tomlinson et al.	2004/0153012 A1	8/2004	Schroeder
D641,137 S	7/2011	Evans et al.	2004/0221362 A1	11/2004	Bosne et al.
7,994,752 B2	8/2011	Soar	2004/0237169 A1	12/2004	Wood et al.
8,008,606 B2	8/2011	Kaiserman et al.	2004/0256381 A1	12/2004	Haas et al.
D648,924 S	11/2011	Propst	2005/0007406 A1	1/2005	Haas et al.
8,062,797 B2	11/2011	Fisher et al.	2005/0217004 A1	10/2005	Haberfeld
8,105,371 B1	1/2012	Giocondo, Jr.	2005/0246826 A1	11/2005	McCarter et al.
8,107,653 B2	1/2012	Wolfe	2006/0001727 A1	1/2006	Haas et al.
D653,836 S	2/2012	Woyschner et al.	2006/0048263 A1	3/2006	Walsh
D654,664 S	2/2012	Evans et al.	2006/0060576 A1	3/2006	Haas et al.
8,144,911 B2	3/2012	Chiang et al.	2006/0128169 A1	6/2006	Marmaropoulos et al.
8,157,570 B2	4/2012	Chen	2006/0166520 A1	7/2006	Marmaropoulos et al.
D662,282 S	6/2012	Meunier-Bouchard	2006/0213895 A1	9/2006	Dennis
D662,285 S	6/2012	Rushworth	2006/0227675 A1	10/2006	Fried
8,251,157 B2	8/2012	Gray et al.	2006/0277652 A1	12/2006	Okajima
D671,714 S	12/2012	McCarroll	2007/0045269 A1	3/2007	Vassallo
D672,531 S	12/2012	Keifer	2007/0118960 A1	5/2007	Goodwin
D677,861 S	3/2013	Perry	2007/0130667 A1	6/2007	Gagnon et al.
D679,072 S	4/2013	Abbevik et al.	2007/0151593 A1	7/2007	Jaynes
D685,158 S	7/2013	Lam Bertz	2007/0287035 A1	12/2007	Marmaropoulos et al.
D685,160 S	7/2013	Savage	2008/0005825 A1	1/2008	Tronvold
D689,670 S	9/2013	Lorenc	2008/0023460 A1	1/2008	Huang
D692,082 S	10/2013	Lee	2008/0024438 A1	1/2008	Collins et al.
D692,212 S	10/2013	Coward	2008/0045269 A1	2/2008	Emory
8,564,249 B2	10/2013	Lundqvist et al.	2008/0067163 A1	3/2008	Axinte et al.
D693,093 S	11/2013	Pasloski	2008/0083740 A1	4/2008	Kaiserman et al.
D693,094 S	11/2013	Pasloski	2008/0163404 A1	7/2008	Carpentier et al.
D693,096 S	11/2013	Russo	2008/0184459 A1	8/2008	Barnes
D693,543 S	11/2013	Rao	2008/0223844 A1	9/2008	Cronn
D698,524 S	2/2014	Roberts et al.	2008/0223844 A1	9/2008	Cronn
D698,525 S	2/2014	Roberts et al.	2009/0014436 A1	1/2009	Toya et al.
D698,528 S	2/2014	Roberts et al.	2009/0032520 A1	2/2009	Cronn
D702,419 S	4/2014	Mertes	2009/0070914 A1	3/2009	Landeck et al.
D703,922 S	5/2014	Roberts et al.	2009/0094725 A1	4/2009	Smith et al.
D704,849 S	5/2014	Hunter	2009/0158493 A1	6/2009	Kim
D704,924 S	5/2014	Roberts et al.	2009/0178173 A1	7/2009	Schultz
D707,017 S	6/2014	Wolf et al.	2009/0217440 A1	9/2009	Sutker
D707,423 S	6/2014	Pezzimenti	2009/0230112 A1	9/2009	Ducharme et al.
D707,424 S	6/2014	Pezzimenti	2009/0249529 A1	10/2009	Rodriguez et al.
D707,923 S	7/2014	Borovicka et al.	2009/0271917 A1	11/2009	Richardson
D710,313 S *	8/2014	Charleux D13/168	2009/0289046 A1	11/2009	Richmond
D710,573 S	8/2014	Pezzimenti	2009/0310290 A1	12/2009	Tennent
D713,128 S	9/2014	Pezzimenti et al.	2010/0100997 A1	4/2010	Lee et al.
D713,620 S	9/2014	Pezzimenti et al.	2010/0115684 A1	5/2010	Freedman et al.
D713,621 S	9/2014	Pezzimenti et al.	2010/0186137 A1	7/2010	Gutshe
D714,022 S	9/2014	Mong et al.	2010/0198043 A1	8/2010	Holzer et al.
D714,526 S	10/2014	Ingram	2010/0212062 A1	8/2010	Seguin et al.
D714,527 S	10/2014	Borovicka	2010/0263603 A1	10/2010	Baron
D716,022 S	10/2014	Judge et al.	2010/0283295 A1	11/2010	Smith et al.
D729,690 S *	5/2015	Riviere D11/222	2010/0299800 A1	12/2010	Jackson
D729,748 S *	5/2015	Cook D13/168	2011/0012552 A1	1/2011	Margalit
D732,799 S	6/2015	Smith	2011/0093998 A1	4/2011	Brennan
D733,400 S	7/2015	Cunningham	2011/0108538 A1	5/2011	Gray et al.
D734,922 S	7/2015	Docker	2011/0173731 A1	7/2011	McElroy et al.
D736,496 S	8/2015	Gonzalez	2011/0185469 A1	8/2011	Santuccio et al.
			2011/0260556 A1	10/2011	Partridge et al.
			2011/0306218 A1	12/2011	Chen
			2012/0060260 A1	3/2012	Kochling
			2012/0074128 A1	3/2012	Blackford et al.
			2012/0096622 A1	4/2012	Johnson

(56)

References Cited

U.S. PATENT DOCUMENTS

2012/0298493	A1*	11/2012	Hogan	G05G 1/02 200/314
2013/0019379	A1	1/2013	Shadid		
2013/0037531	A1*	2/2013	Gray	H05B 1/0272 219/211
2013/0042383	A1	2/2013	Ryan et al.		
2013/0212772	A1	8/2013	Apostoloff		
2013/0276201	A1	10/2013	Pezzimenti		
2014/0310847	A1	10/2014	Ulriksen et al.		
2014/0373243	A1	12/2014	Bergeron		
2015/0060430	A1*	3/2015	Tsuge	H05B 1/0272 219/211
2015/0271873	A1	9/2015	Gray et al.		

FOREIGN PATENT DOCUMENTS

CN	303045022	12/2014
DE	20012075	11/2000
DE	20012530	11/2000
DE	102004029017	1/2008
EM	000082607-0002	2/2004
EM	000082607-0003	2/2004
FR	2793116	11/2000
GB	2158693	11/1985
JP	6251757	9/1994
JP	2000064112	2/2000
JP	D1203602	4/2004
JP	D1220383	10/2004
NO	20090182-0010	11/2009
RU	47131	5/2000
RU	89193	7/2004
WO	WO2012/034416	3/2012

OTHER PUBLICATIONS

The Home Depot. <http://www.homedepot.com/p/Mi-lwaukee-Large-M-12-Lithium-Ion-Cordless-Black-MZ-Heated-Jacket-Kit-2345-L/203461266>. Customer Review from Sep. 2012. "Large M12 Lithium-Ion Cordless Black MZ Heated Jacket Kit".

REI Windbreaker Fleece Vest—All Around Sturdy Bargain of a Vest, Announced Dec. 2, 2014 [Site Visited Jul. 11, 2016] <http://www.getoutdoorgear.com/1129/rei-windbrake-fleece-vest-all-around-sturdy-bargain-of-a-vest/>.

Schott Shot Padding Primaloft Vest nylon Cotton Padded Vest, Announced Oct. 25, 2014 [Site Visited Jul. 11, 2016] http://global.rakuten.com/en/store/super-rag/item/3142034/?s-id=borderless_recommend_item_en.

Weight Vest for Osteoporosis—Alternative Solutions, Announced Aug. 20, 2013 [Site Visited Jul. 11, 2016] <http://weightvest4osteoporosis.com/>.

Burton 2013 Women’s Tonic Snowboard Jacket Bright White Colorblock, Announced date N/A [Site Visited Aug. 10, 2016] <http://www.xbusa.com/burton-2013-women-s-tonic-snowboard-jacket-bright-white-colorblock.html>.

For 3M Fanatics, Vapor Flash Jacket—p. 23—Nike Talk, Announced Dec. 9, 2014 [Site Visited Aug. 10, 2016] <http://niketalk.com/t/319284/for-3m-fanatics-vapor-flash-jacket/6606>.

Hardshell Jacket ‘Rebirth’ in 2011?—Gear Junkie, Announced Nov. 18, 2010 [Site Visited Aug. 10, 2016] <https://gearjunkie.com/waterproof-breathable-hardshell-jackets-2011>.

United States Patent Office Notice of Allowance for Application No. 29/542,035 dated Jan. 26, 2017 (9 pages).

United States Patent Office Notice of Allowance for Application No. 29/483,511 dated Mar. 3, 2017 (10 pages).

* cited by examiner

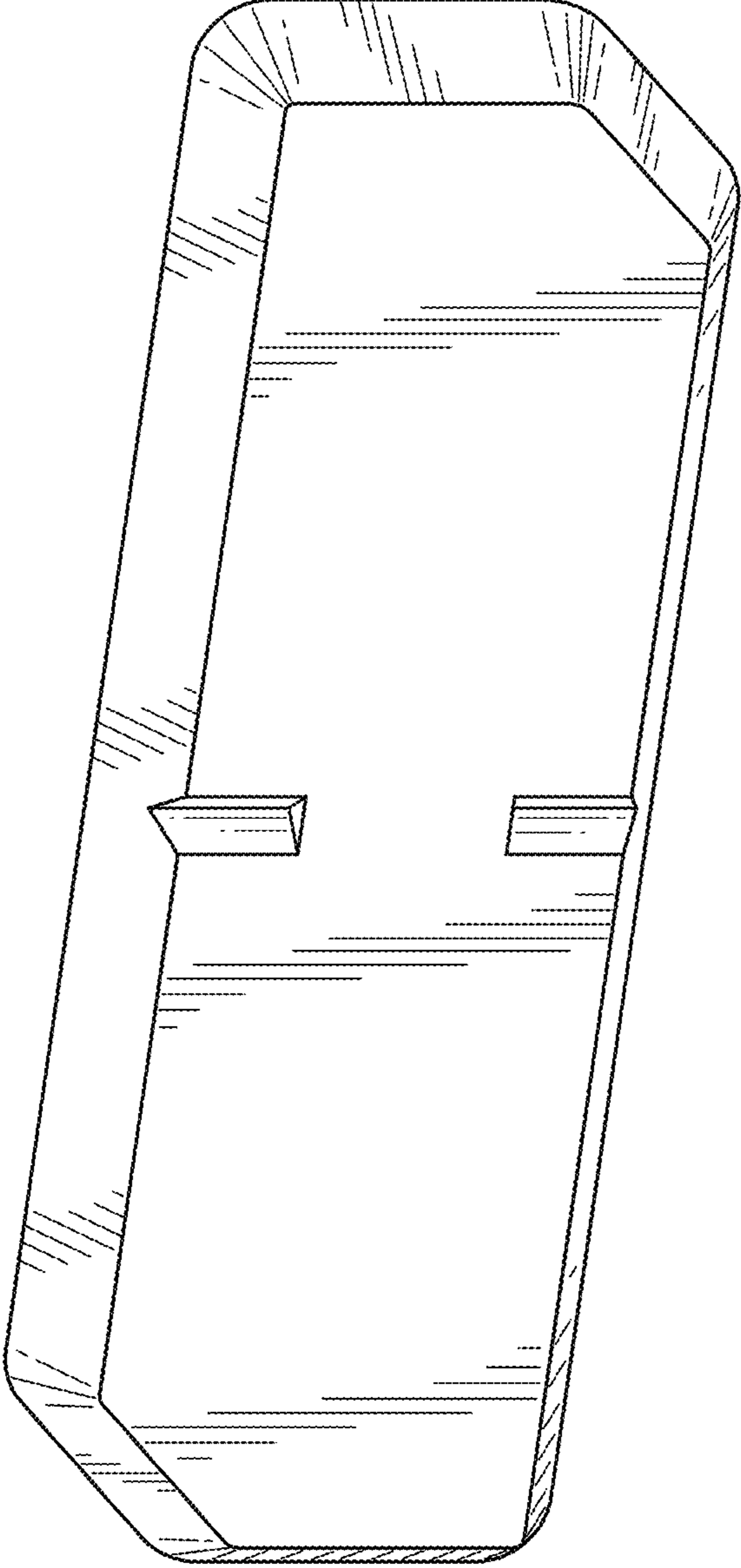


FIG. 1

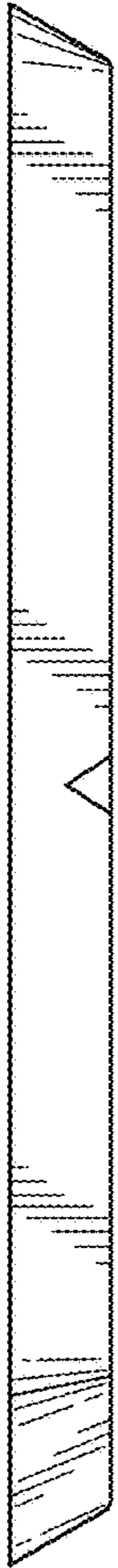


FIG. 5



FIG. 4

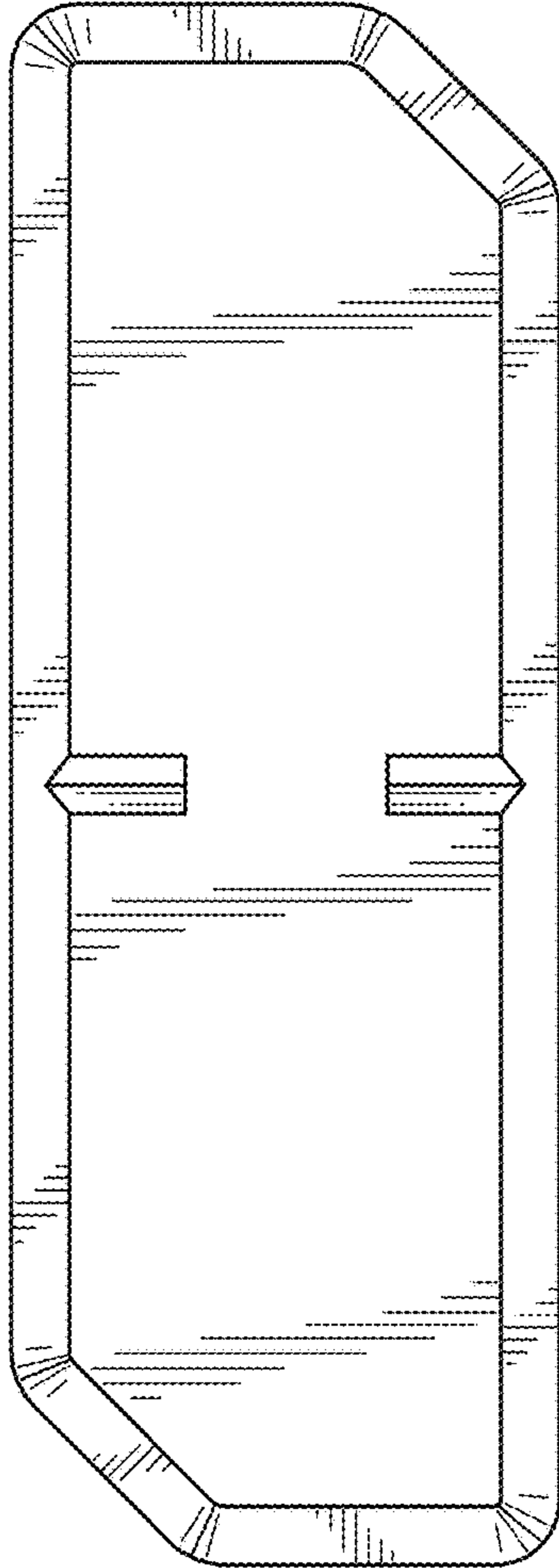


FIG. 2



FIG. 3



FIG. 6