

US00D866486S

(12) **United States Design Patent** (10) **Patent No.:** **US D866,486 S**  
**Brown et al.** (45) **Date of Patent:** **\*\* Nov. 12, 2019**

(54) **CONTROL PANEL**

(56) **References Cited**

(71) Applicant: **WHELEN ENGINEERING COMPANY, INC.**, Chester, CT (US)

(72) Inventors: **Sean Brown**, Cromwell, CT (US);  
**David J. Sousa**, Ivoryton, CT (US);  
**Kevin M. Smith**, Chester, CT (US);  
**Tomasz J. Walczak**, Coventry, CT (US)

(73) Assignee: **WHELEN ENGINEERING COMPANY, INC.**, Chester, CT (US)

(\*\*) Term: **15 Years**

(21) Appl. No.: **29/664,129**

(22) Filed: **Sep. 21, 2018**

U.S. PATENT DOCUMENTS

5,490,046 A \* 2/1996 Gohl ..... B60Q 1/076  
362/233

6,226,174 B1 \* 5/2001 Pratt ..... H01R 9/2408  
174/58

D456,012 S \* 4/2002 Pratt ..... D13/171

6,525,281 B2 \* 2/2003 Quapil ..... H01H 3/20  
200/43.01

D486,128 S \* 2/2004 Pratt ..... D13/171

D615,500 S \* 5/2010 Muirhead ..... D13/162

D647,062 S \* 10/2011 Deyaf ..... D13/162

8,901,443 B2 \* 12/2014 Baker ..... G06F 3/0362  
200/17 R

9,048,036 B2 \* 6/2015 Kikuchi ..... H01H 9/26

D751,516 S \* 3/2016 Oneufer ..... D13/174

D765,611 S \* 9/2016 Kaliauier ..... D13/177

D807,309 S \* 1/2018 Johnson ..... D13/174

D826,759 S \* 8/2018 Deyaf ..... D10/106.1

10,312,037 B1 \* 6/2019 Clark ..... H01H 19/04

(Continued)

**Related U.S. Application Data**

(63) Continuation-in-part of application No. 29/650,247, filed on Jun. 5, 2018, now abandoned.

(51) **LOC (12) Cl.** ..... **13-03**

(52) **U.S. Cl.**  
USPC ..... **D13/164**

(58) **Field of Classification Search**  
USPC ..... D13/162, 164, 169, 171, 174, 177;  
D26/61; D10/106.1  
CPC .. H01H 3/02; H01H 3/08; H01H 3/12; H01H  
3/16; H01H 13/04; H01H 13/08; H01H  
13/14; H01H 19/04; H01H 19/08; H01H  
19/10; H01H 19/11; H01H 19/14; H01H  
9/06; H01H 9/20; H01H 9/22; H01H  
21/10; H01H 21/22; H01H 25/00; G05G  
1/08; G05G 1/10; B60Q 3/20; B60Q  
1/24; B60Q 1/245; G06F 3/0362

See application file for complete search history.

*Primary Examiner* — Selina Sikder

(74) *Attorney, Agent, or Firm* — Dilworth IP, LLC

(57) **CLAIM**

We claim the ornamental design for the control panel, as shown.

**DESCRIPTION**

FIG. 1 is a first perspective view of the control panel, the handle being tilted upward from the base;

FIG. 2 is a second perspective view, showing the control panel and handle rotated relative to FIG. 1 and the handle tilted downward from the base;

FIG. 3 is a front elevation view of the control panel with the handle in a vertical upright position relative to the base;

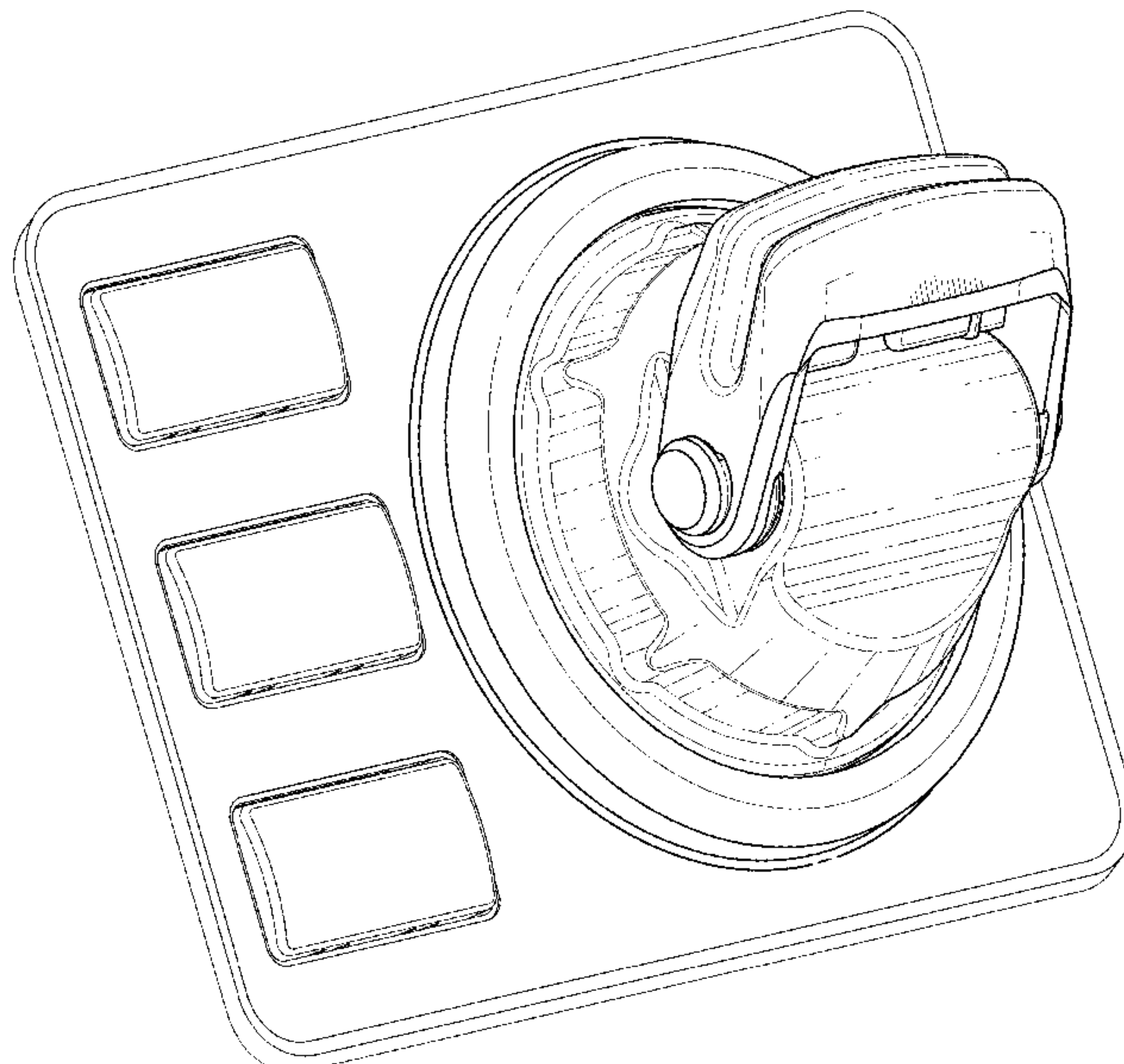
FIG. 4 is a rear elevation view thereof;

FIG. 5 is a left side elevation view thereof;

FIG. 6 is a right side elevation view thereof; and,

FIG. 7 is a plan view thereof.

**1 Claim, 7 Drawing Sheets**



(56)

**References Cited**

U.S. PATENT DOCUMENTS

2003/0057958 A1\* 3/2003 Fukushima ..... H01H 9/085  
324/538  
2008/0043098 A1\* 2/2008 Leblanc ..... F21S 8/003  
348/113  
2015/0150646 A1\* 6/2015 Pryor ..... G06F 3/0362  
345/174

\* cited by examiner

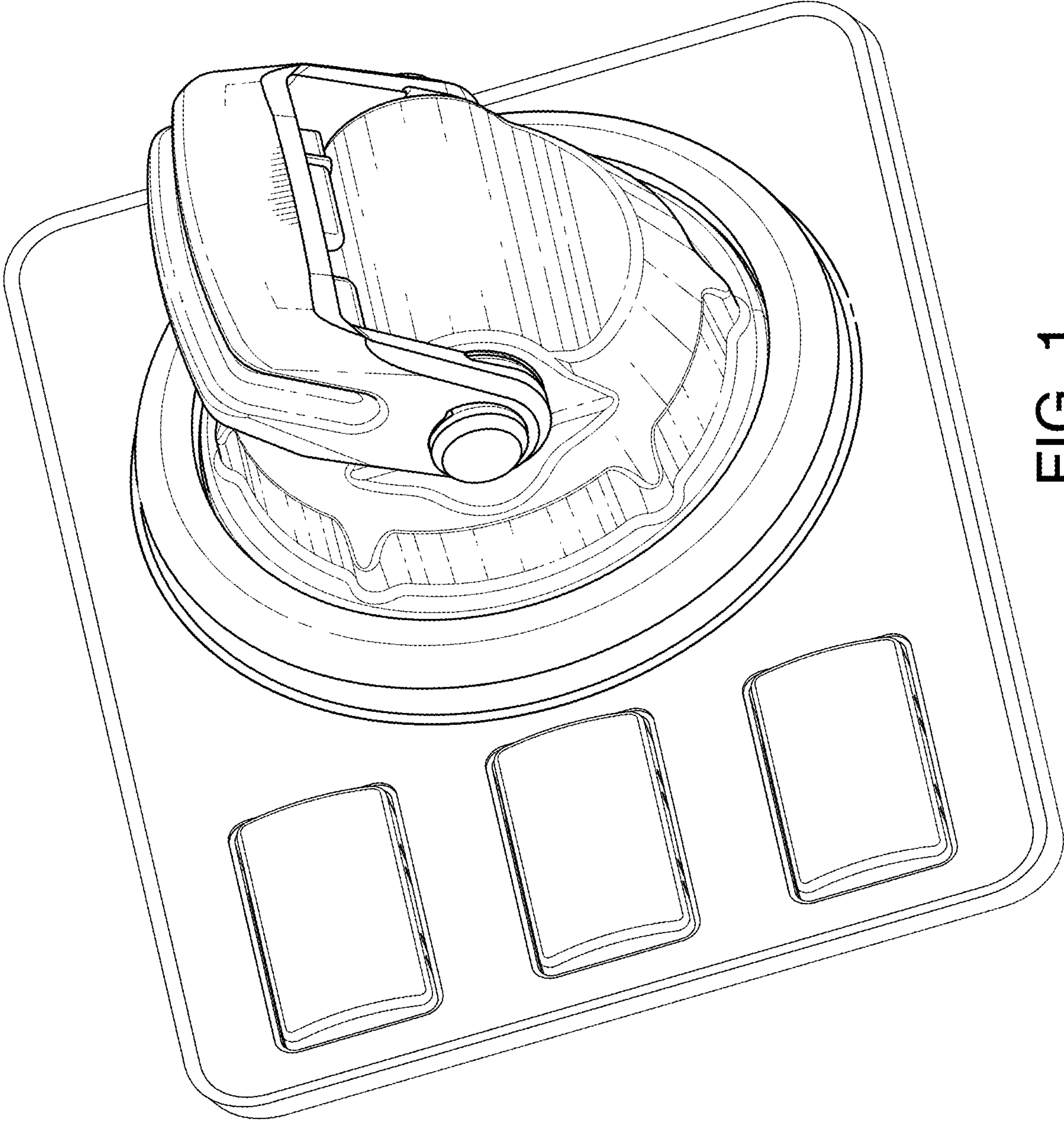


FIG. 1



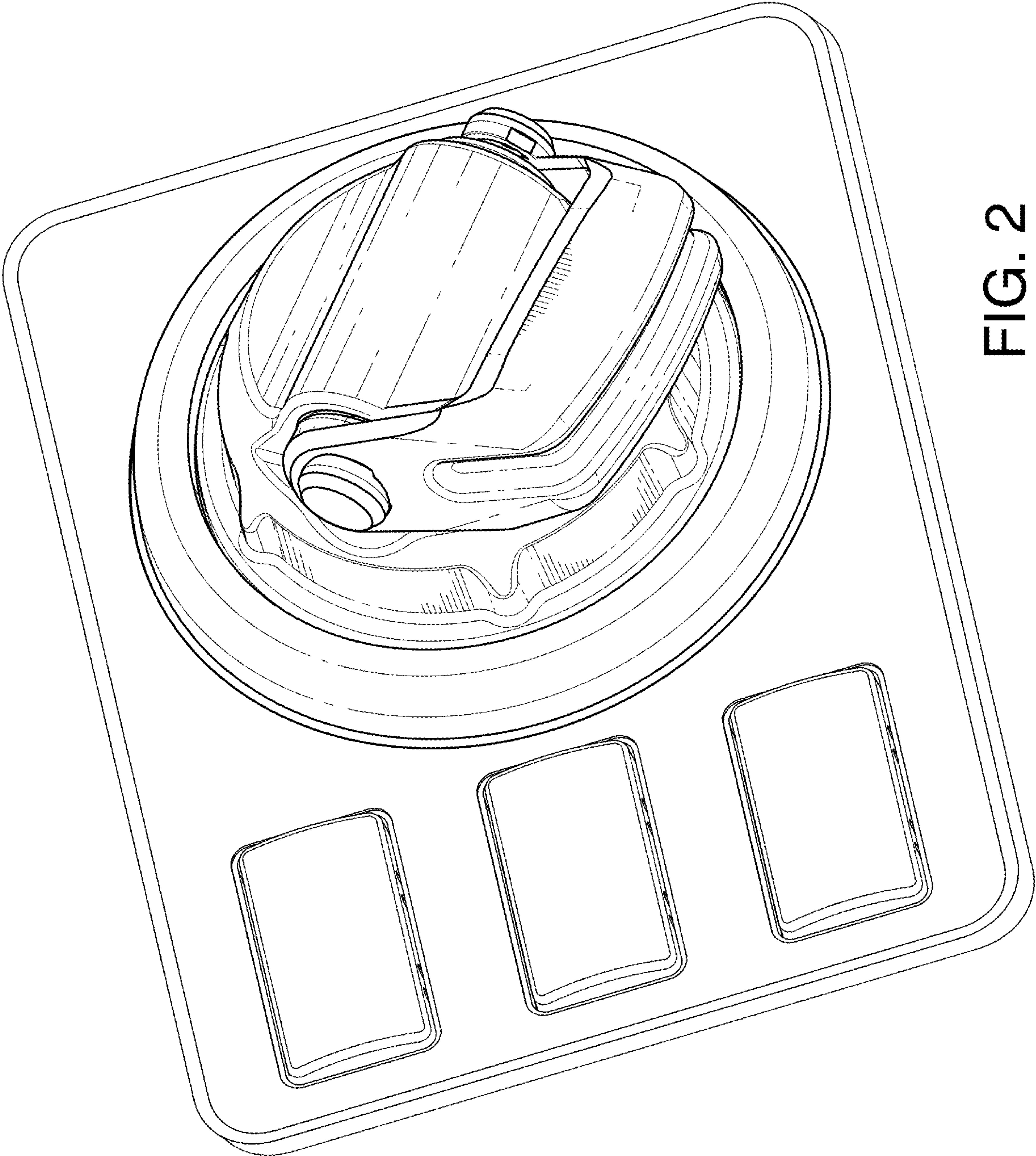


FIG. 2

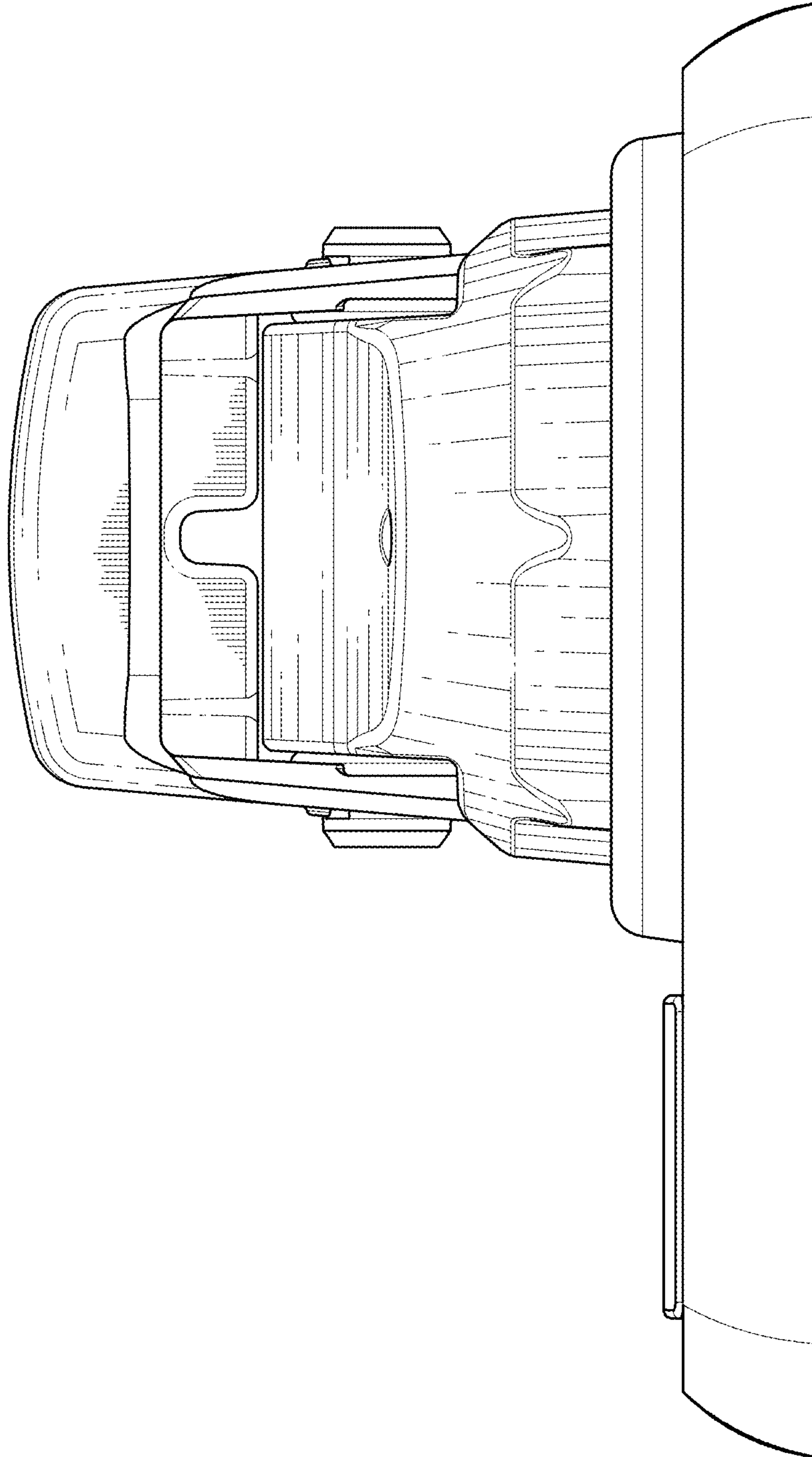


FIG. 3

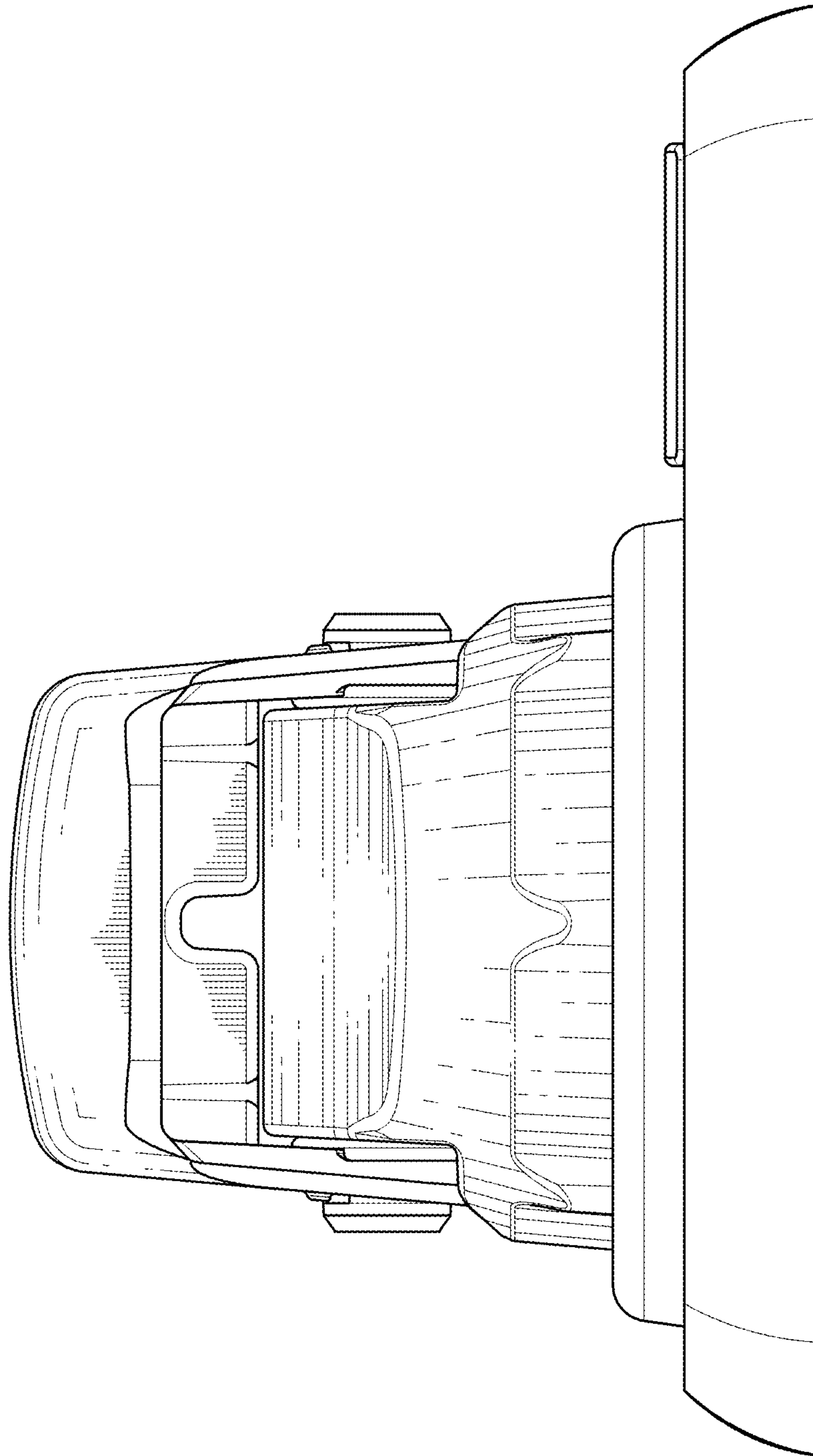


FIG. 4

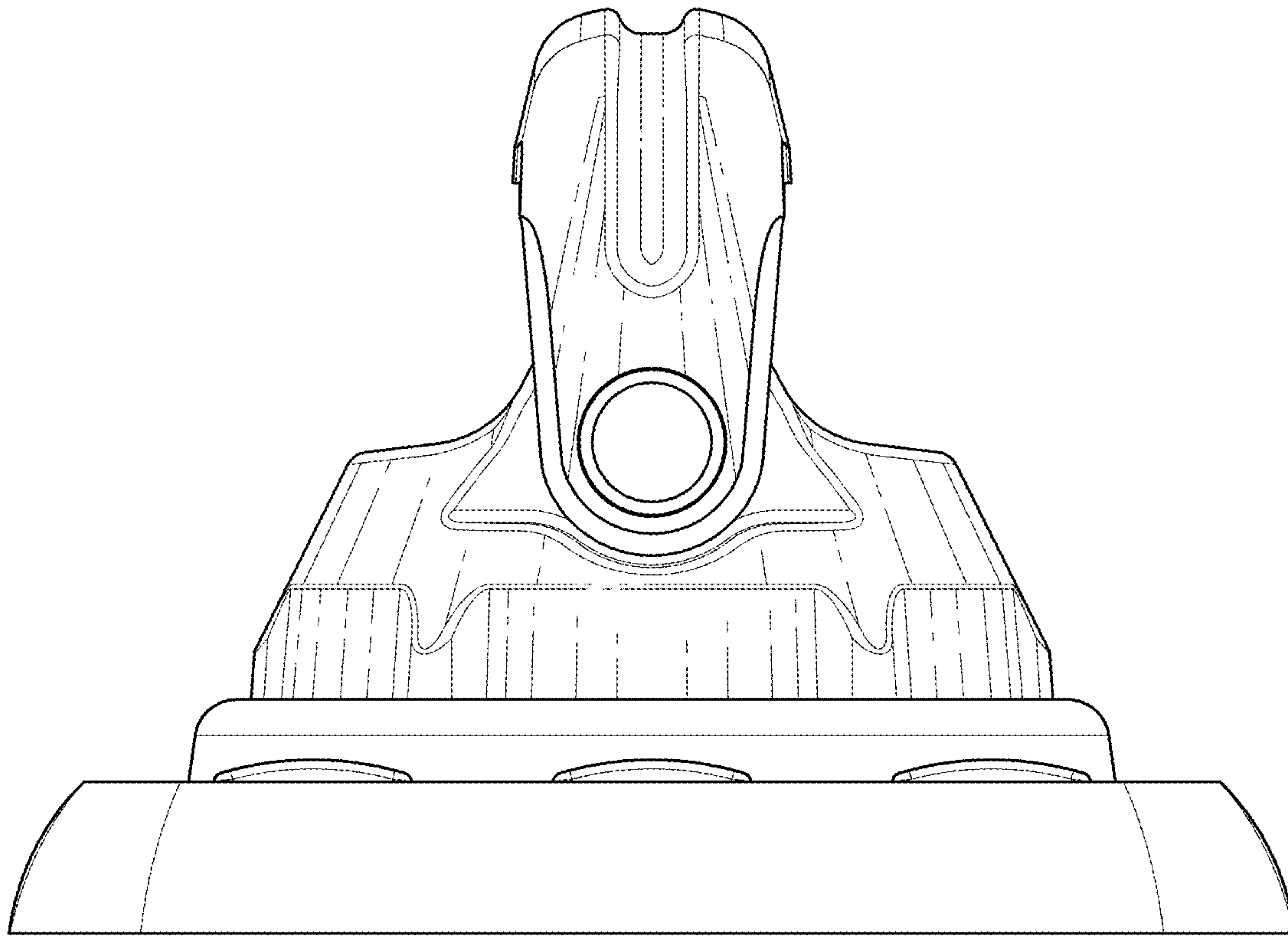


FIG. 5

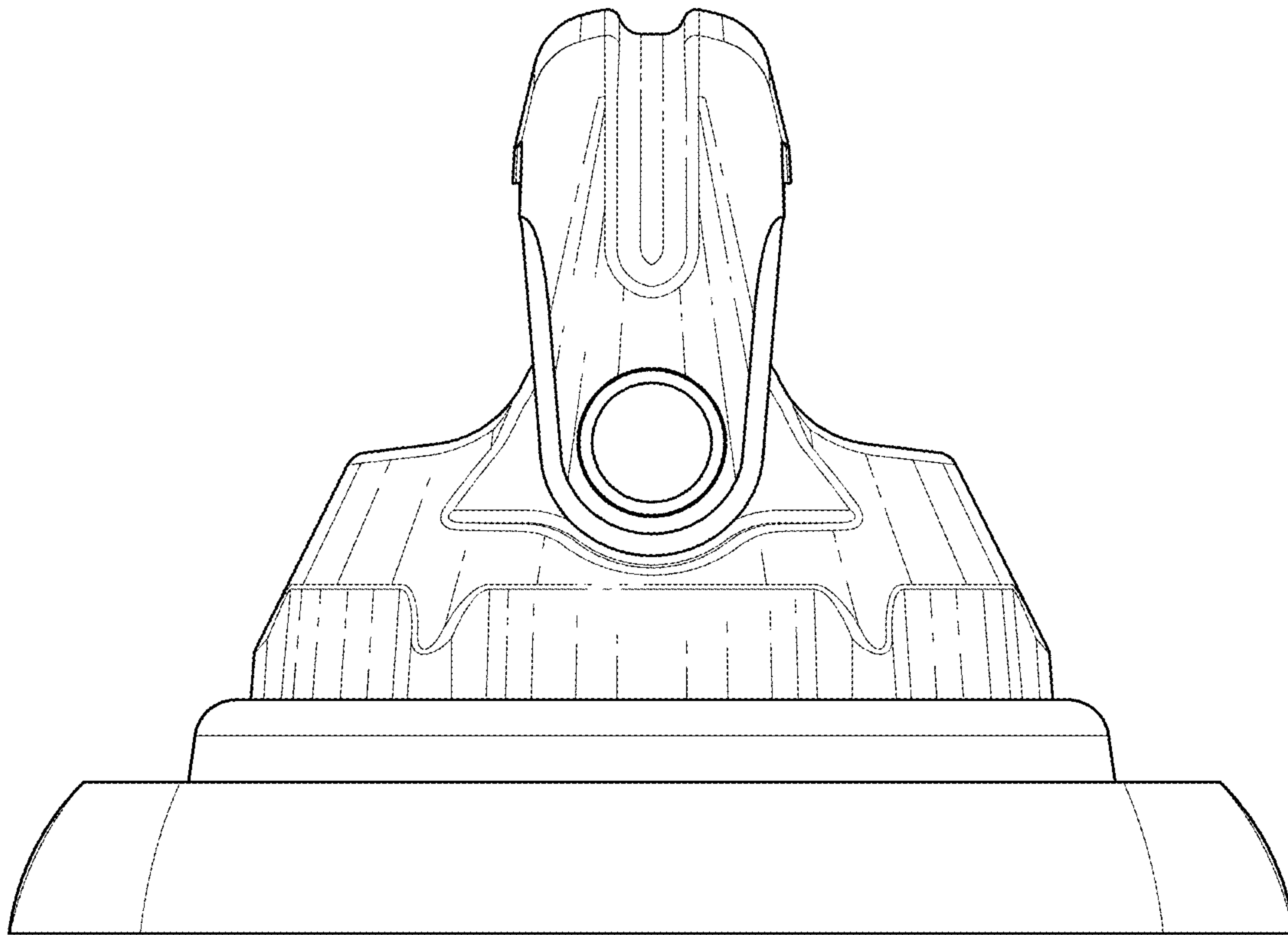


FIG. 6



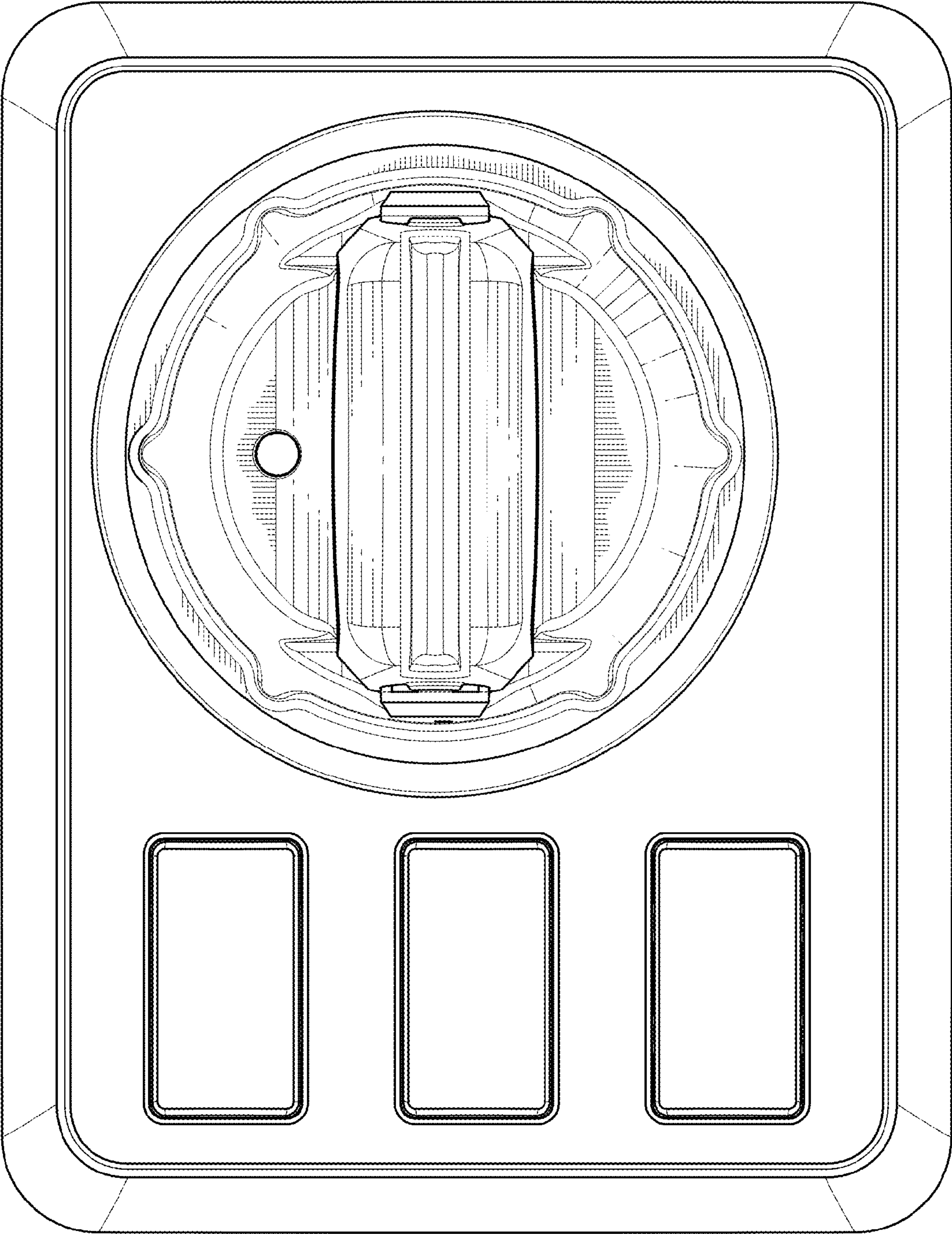


FIG. 7