



US00D866483S

(12) **United States Design Patent** (10) **Patent No.:** **US D866,483 S**
Broere (45) **Date of Patent:** **** Nov. 12, 2019**

(54) **INSET ANGLE HOOD**
(71) Applicant: **A.C. Dandy Products Ltd.,** Wetaskiwin (CA)
(72) Inventor: **Hans Broere,** Wetaskiwin (CA)
(**) Term: **15 Years**
(21) Appl. No.: **29/595,274**
(22) Filed: **Feb. 27, 2017**
(51) **LOC (12) Cl.** **13-03**
(52) **U.S. Cl.**
USPC **D13/156**
(58) **Field of Classification Search**
USPC D13/110, 123, 133, 137.1, 139.1, 139.4, D13/152, 154, 155, 156, 158, 162, 164, D13/173, 177, 184; D8/349-351, 353; D14/240, 358, 480.5; D23/385
CPC H02G 3/14; H02G 3/088; H01R 13/5312; H01R 13/7135
See application file for complete search history.

D469,410 S * 1/2003 Lyon D13/156
D472,325 S * 3/2003 Walker D24/232
D486,453 S * 2/2004 Prior, Jr. D13/156
7,205,488 B2 * 4/2007 Riner H02G 3/185
174/481
D571,641 S * 6/2008 Sempliner D8/356
7,407,392 B2 * 8/2008 Cooke A47B 21/06
108/62
7,834,267 B1 * 11/2010 Gretz H02G 3/14
174/53
9,091,377 B2 * 7/2015 Lechuga F16L 59/18
D776,624 S * 1/2017 Broere D13/156
D780,697 S * 3/2017 Broere D13/156
D805,236 S * 12/2017 Exley D26/85
D810,030 S * 2/2018 Velez D13/152
2015/0111423 A1 * 4/2015 Broere B60L 11/1825
439/527

* cited by examiner

Primary Examiner — Derrick E Holland
Assistant Examiner — Jennifer O King
(74) *Attorney, Agent, or Firm* — Bennett Jones LLP

(57) **CLAIM**

The ornamental design for an inset angle hood, as shown and described.

DESCRIPTION

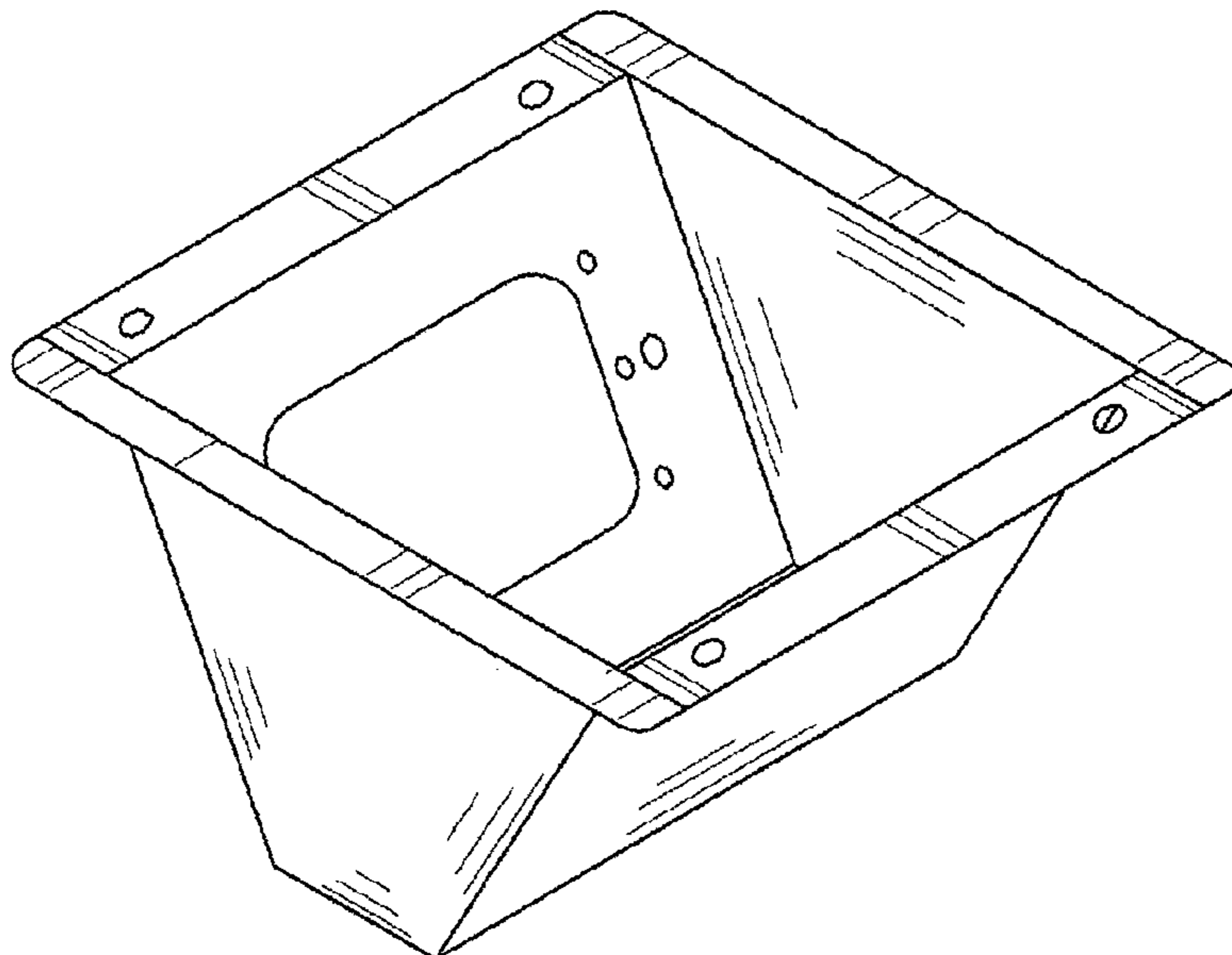
FIG. 1 is a perspective view of an inset angle hood showing the design;
FIG. 2 is a left side view thereof, the right side view is a mirror image of the left side view;
FIG. 3 is a front view thereof; and,
FIG. 4 is a top view thereof.

1 Claim, 4 Drawing Sheets

(56) **References Cited**

U.S. PATENT DOCUMENTS

D132,821 S * 6/1942 Leslie D23/373
D157,119 S * 2/1950 Arcularius D13/139.4
4,010,314 A * 3/1977 Kohaut H02G 3/283
174/483
D332,139 S * 12/1992 Courchesne D23/385
5,195,288 A * 3/1993 Penczak H02G 3/185
174/490
D405,416 S * 2/1999 Byrne D13/139.4
D466,086 S * 11/2002 Metcalf D13/152



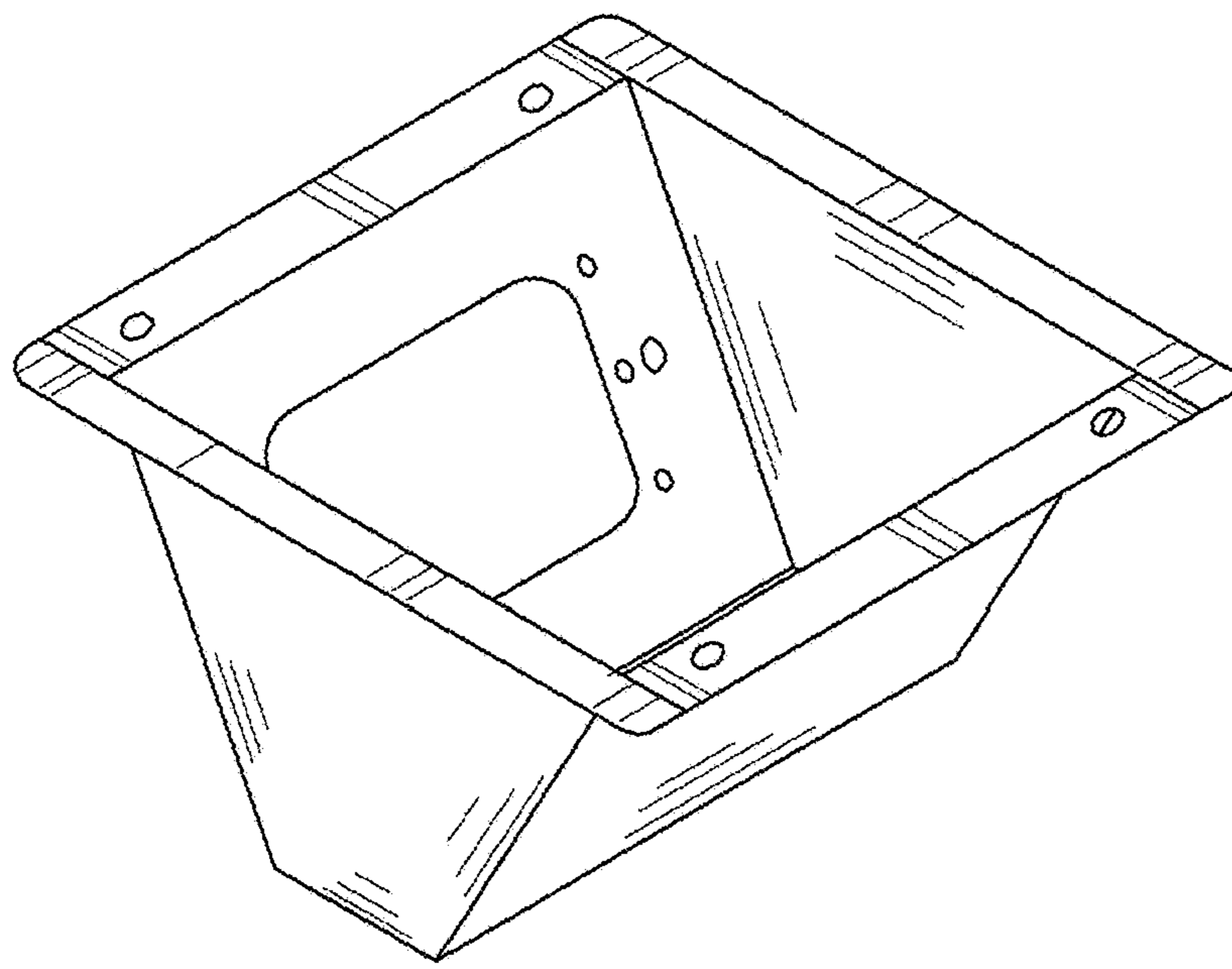


FIG. 1

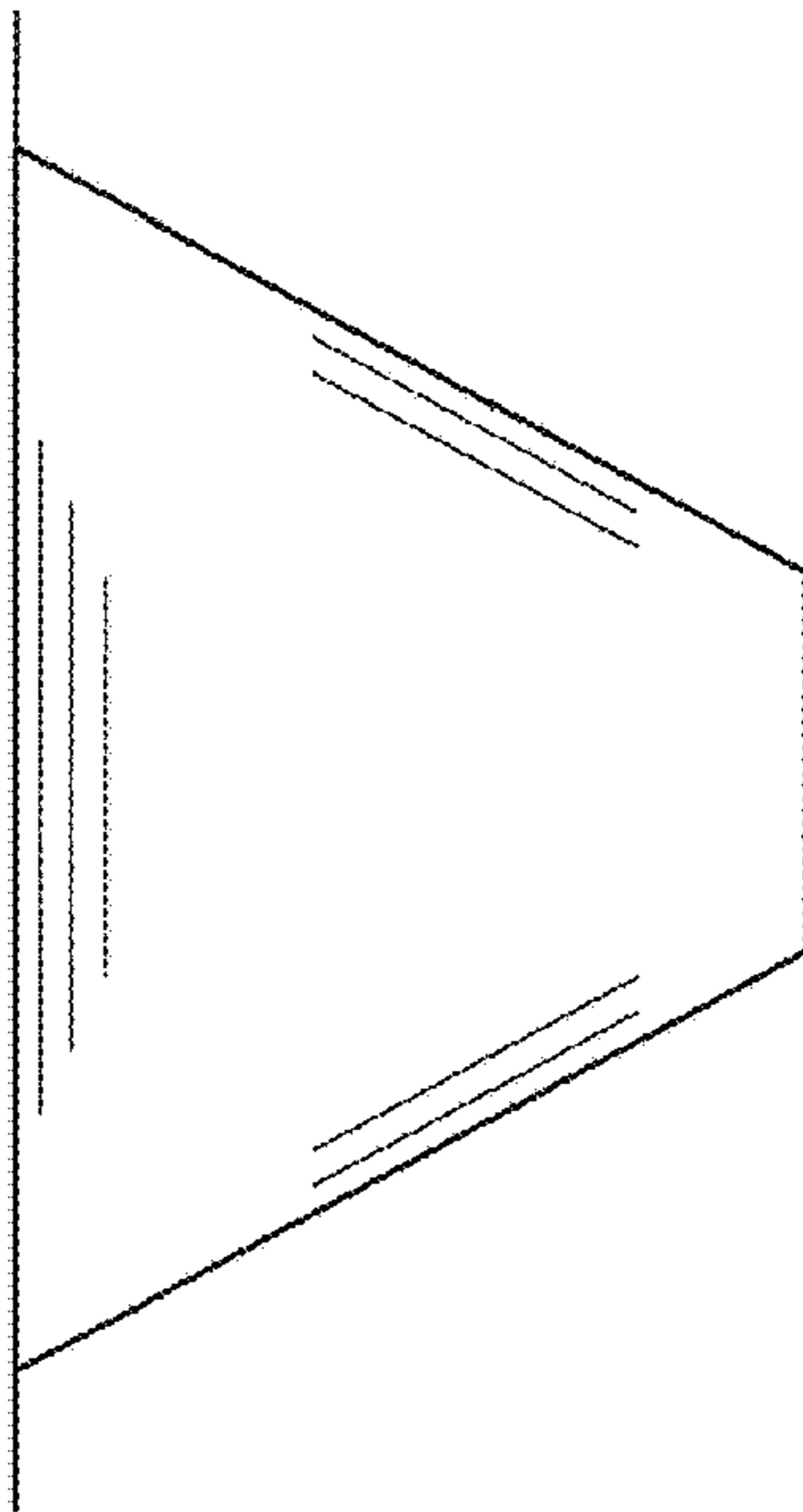


FIG. 2

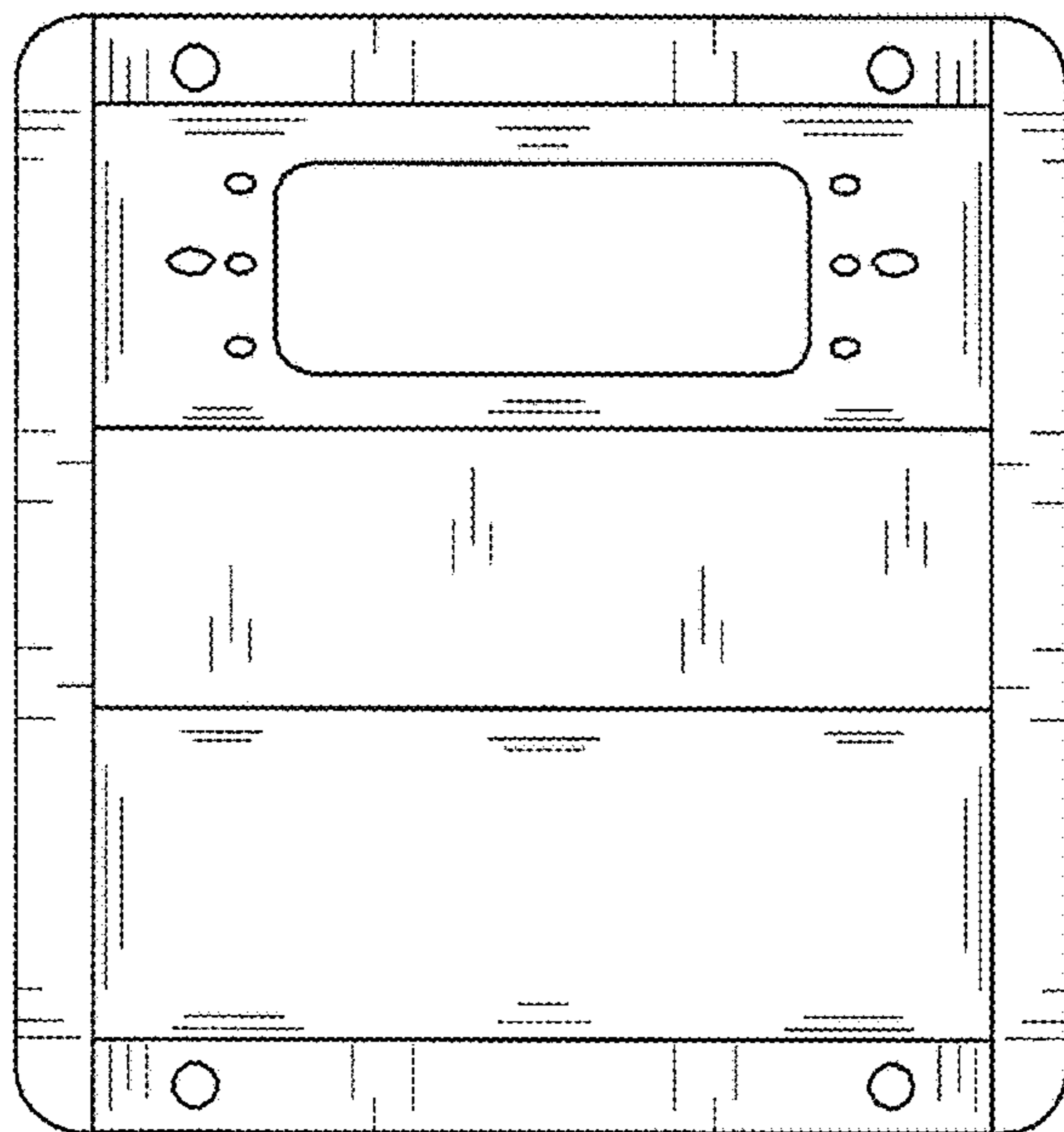


FIG. 3

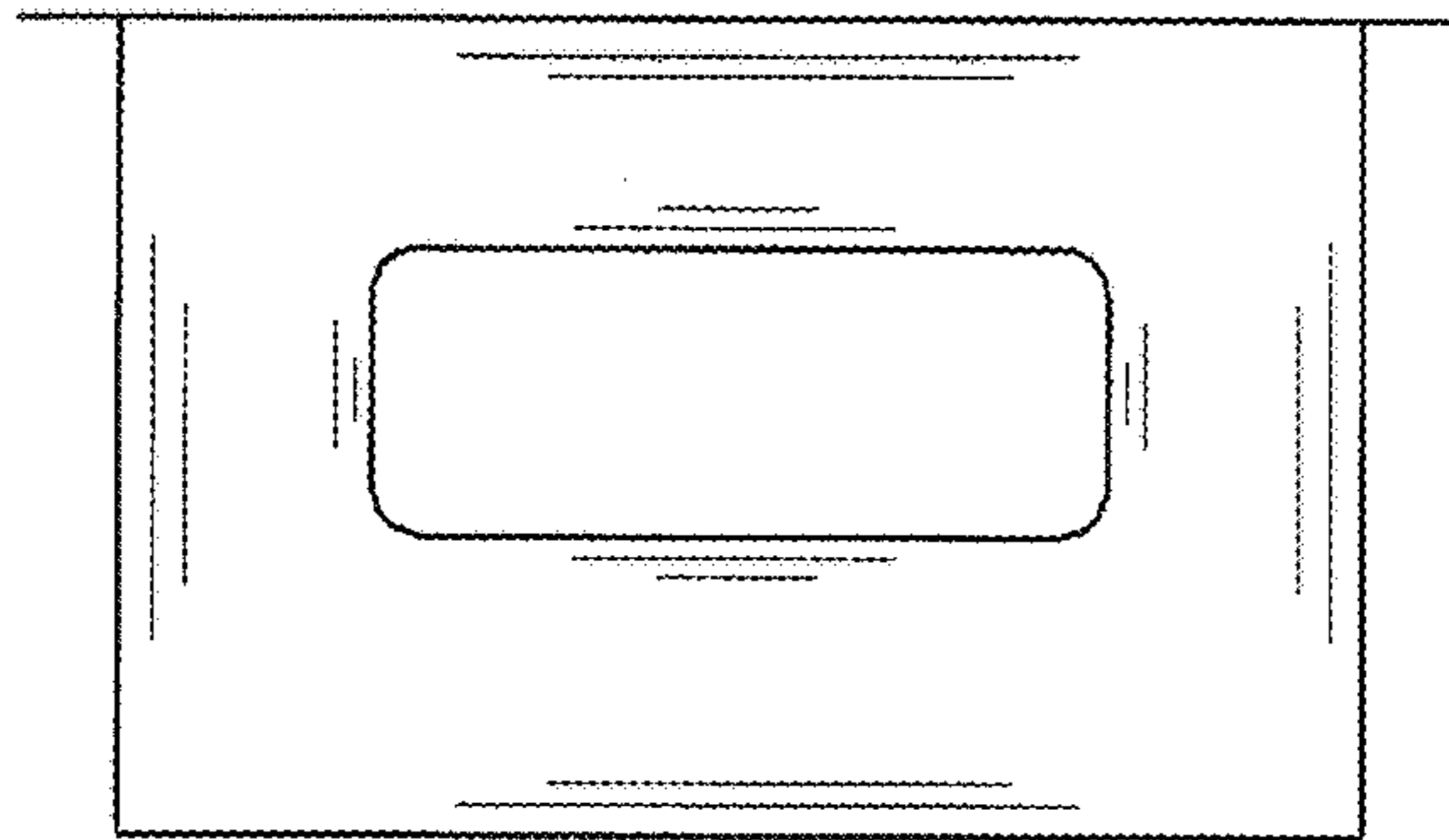


FIG. 4