

US00D866482S

(12) **United States Design Patent**  
**DeCosta**

(10) **Patent No.:** **US D866,482 S**

(45) **Date of Patent:** **\*\* Nov. 12, 2019**

(54) **PLATE INSERT**

(71) Applicant: **Thomas DeCosta**, Westport, MA (US)

(72) Inventor: **Thomas DeCosta**, Westport, MA (US)

(\*\*) Term: **15 Years**

(21) Appl. No.: **29/634,922**

(22) Filed: **Jan. 25, 2018**

(51) **LOC (12) Cl.** ..... **13-03**

(52) **U.S. Cl.**  
USPC ..... **D13/155**; D8/349

(58) **Field of Classification Search**  
USPC ..... D13/154, 155, 156, 199; D8/349, 354,  
D8/356  
CPC . F16B 13/0808; F16B 13/0833; H02G 3/083;  
H02G 3/123

See application file for complete search history.

(56) **References Cited**

**U.S. PATENT DOCUMENTS**

7,759,576 B1 \* 7/2010 Gretz ..... H02G 3/123  
174/480  
8,148,635 B1 \* 4/2012 Gretz ..... H02G 3/123  
174/481

D719,520 S \* 12/2014 DeCosta ..... D13/155  
D719,521 S \* 12/2014 DeCosta ..... D13/155  
D719,522 S \* 12/2014 DeCosta ..... D13/155  
9,611,879 B2 \* 4/2017 DeCosta ..... F16B 13/0833

\* cited by examiner

*Primary Examiner* — Selina Sikder

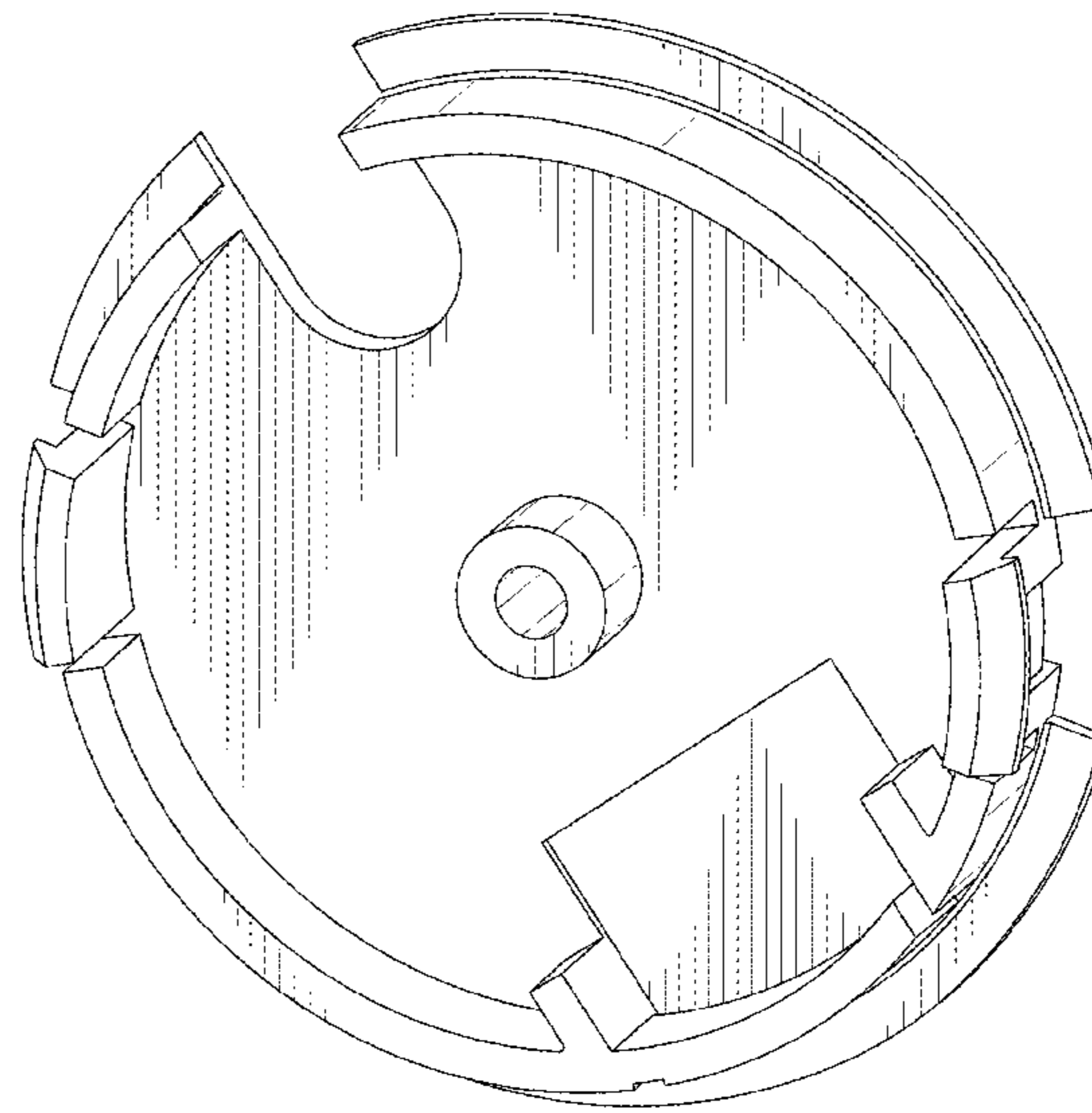
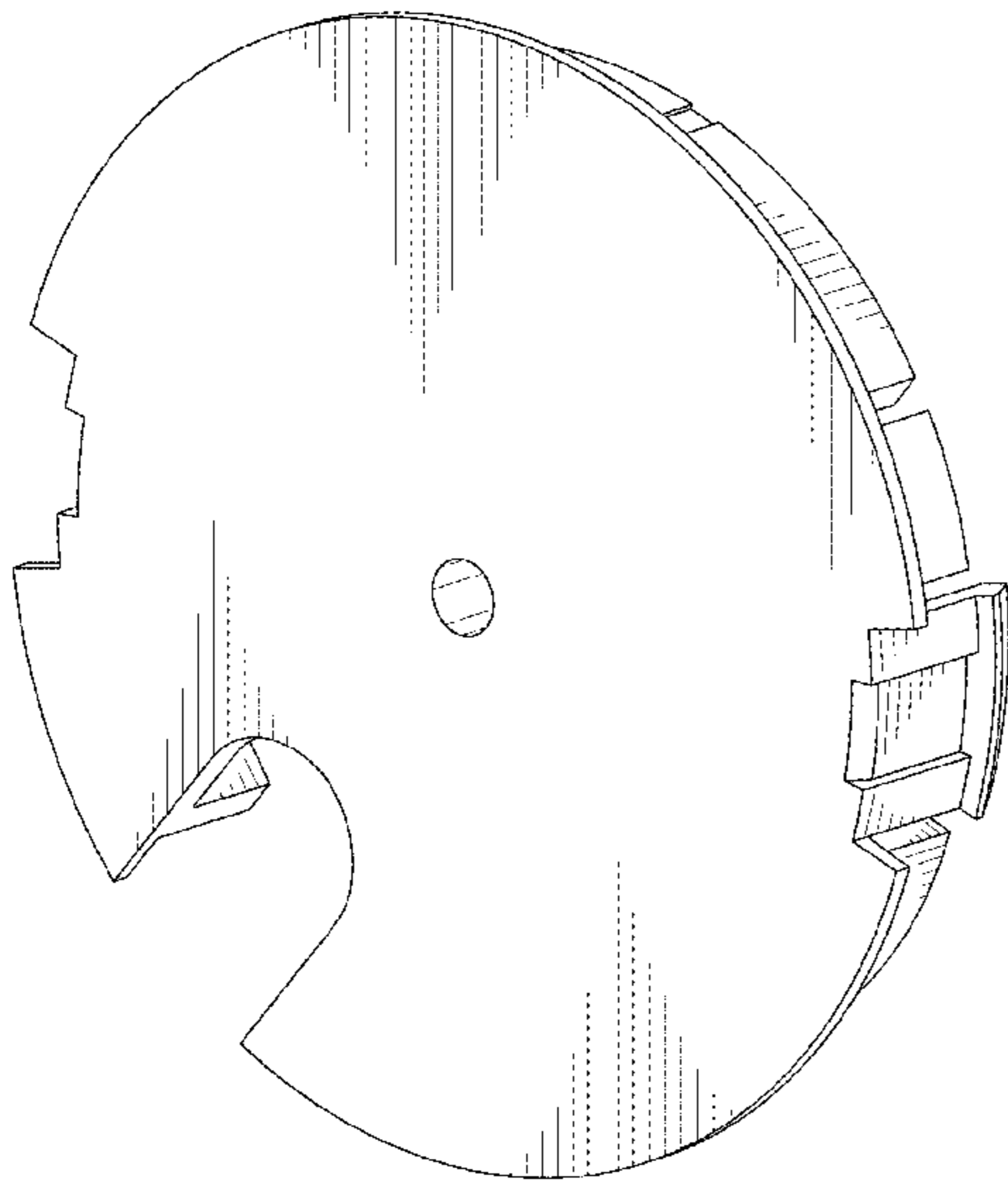
(57) **CLAIM**

The ornamental design for a plate insert, as shown and described.

**DESCRIPTION**

FIG. 1 is a front perspective view of the plate insert employing my new design;  
FIG. 2 is a top view of FIG. 1;  
FIG. 3 is a bottom view of FIG. 1;  
FIG. 4 is a rear end view of FIG. 3;  
FIG. 5 is a front end view of FIG. 3;  
FIG. 6 is a left side view of FIG. 3;  
FIG. 7 is a right side view of FIG. 3;  
FIG. 8 is a perspective view of FIG. 3;  
FIG. 9 is an alternative embodiment of FIG. 1 not including a through hole;  
FIG. 10 is a top view of FIG. 9; and,  
FIG. 11 is an alternative embodiment of FIG. 3.

**1 Claim, 11 Drawing Sheets**



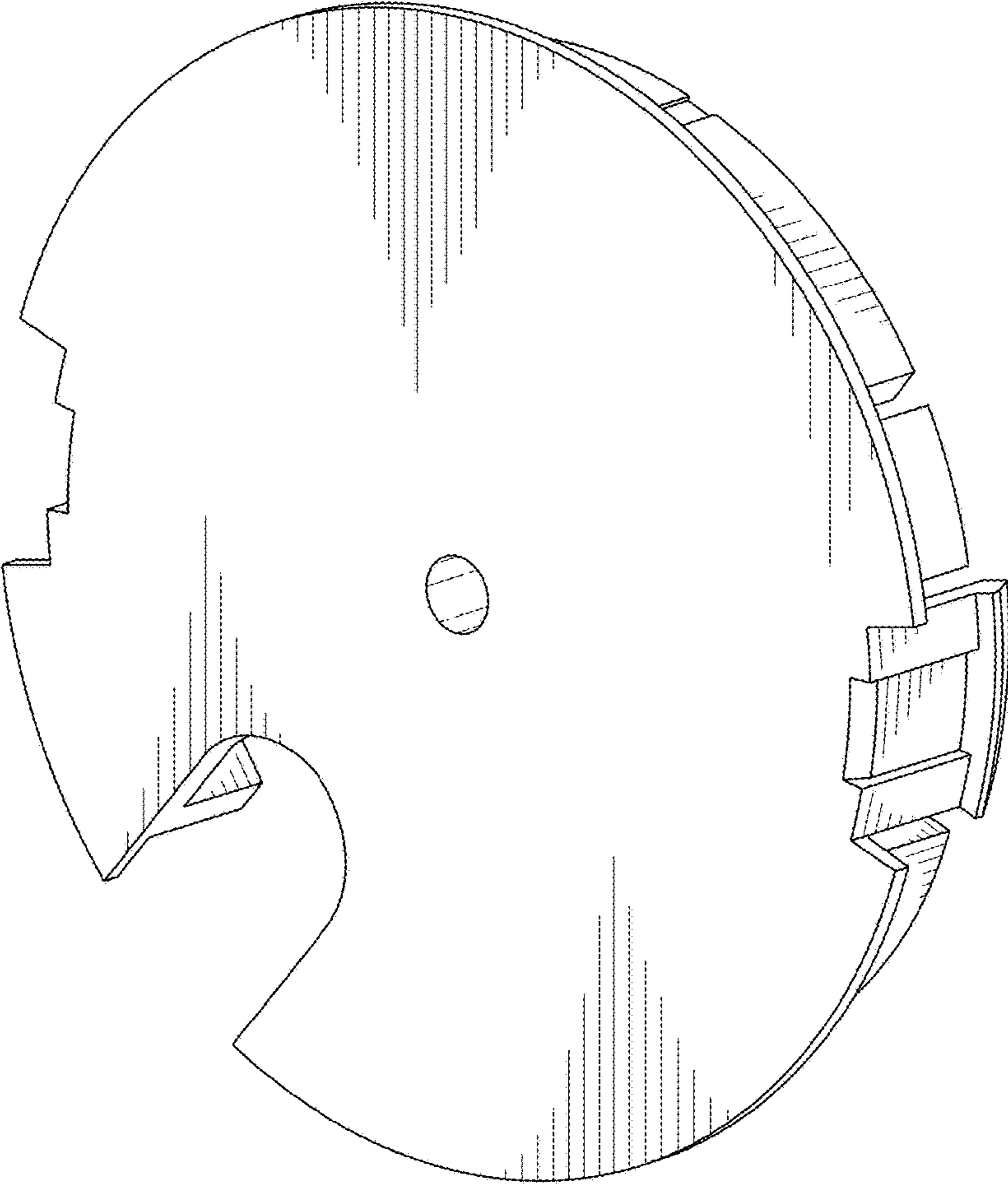


FIG. 1

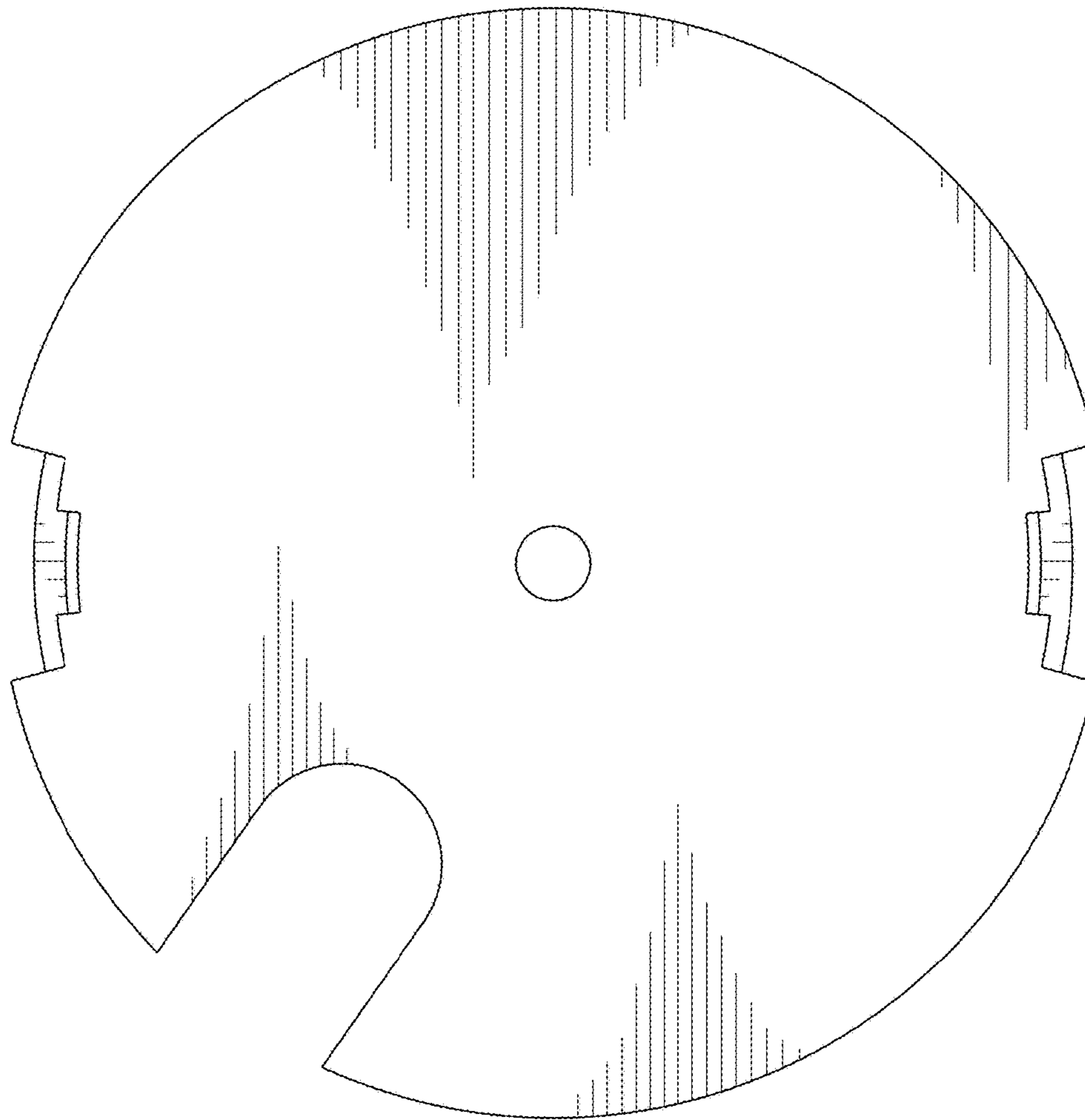


FIG. 2

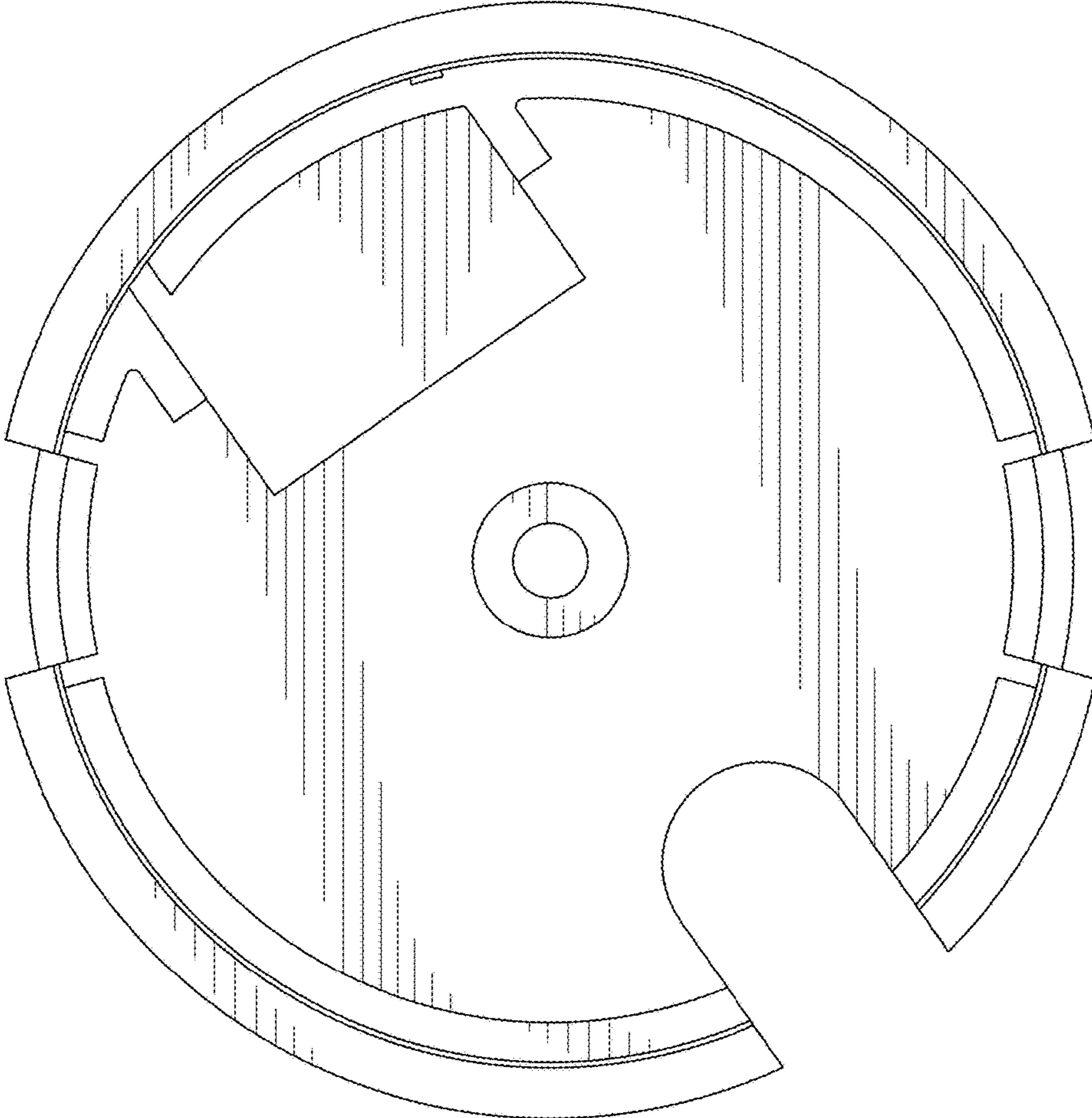


FIG. 3

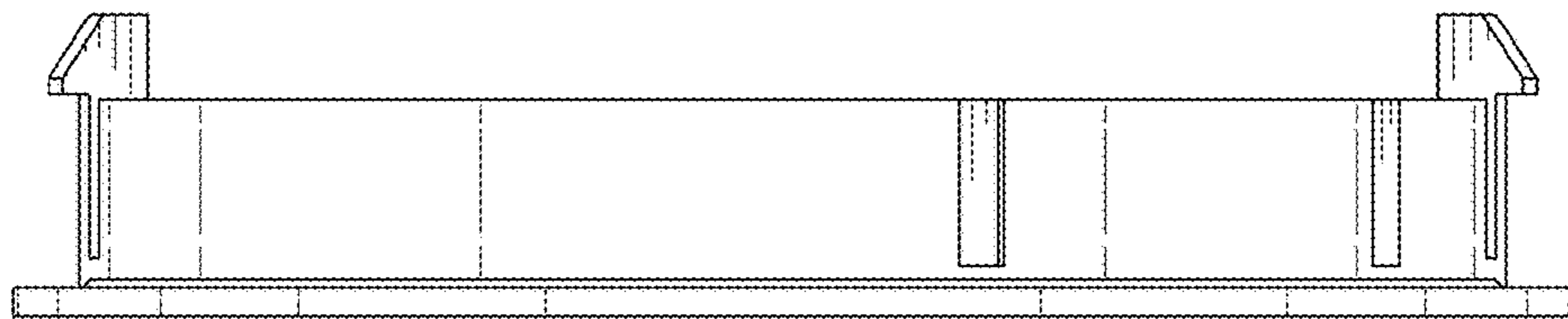


FIG. 4

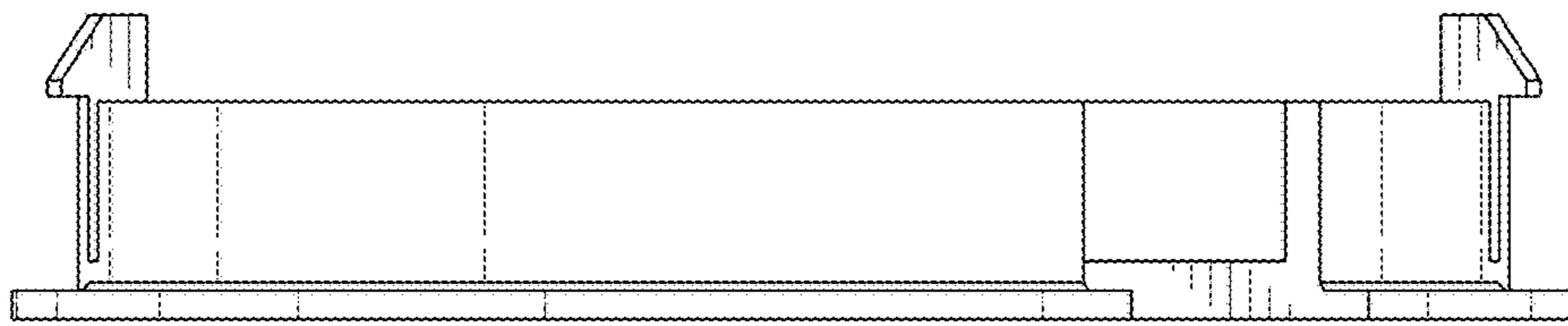


FIG. 5

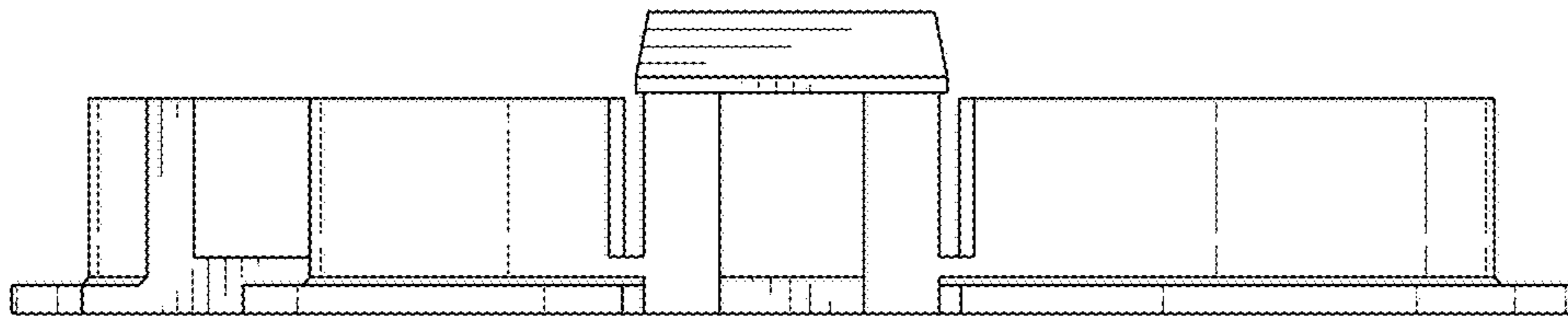


FIG. 6

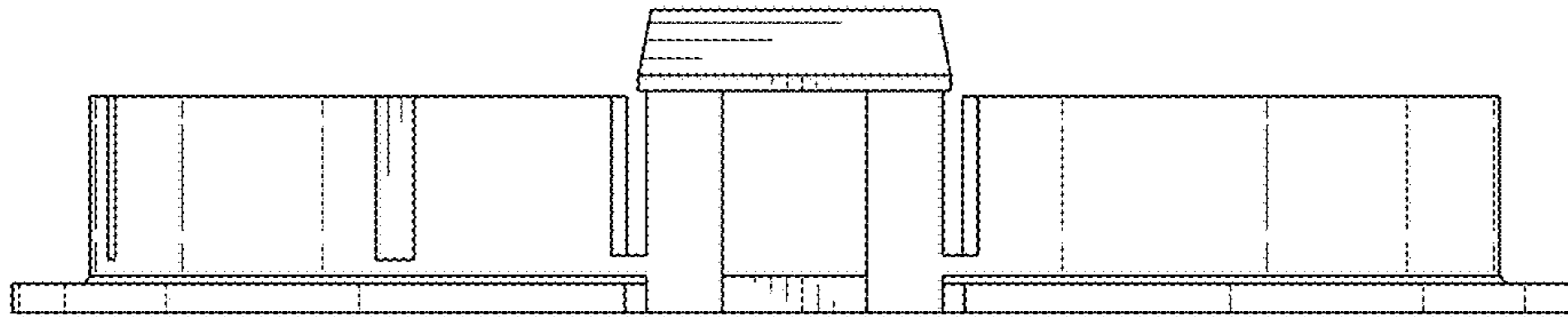


FIG. 7



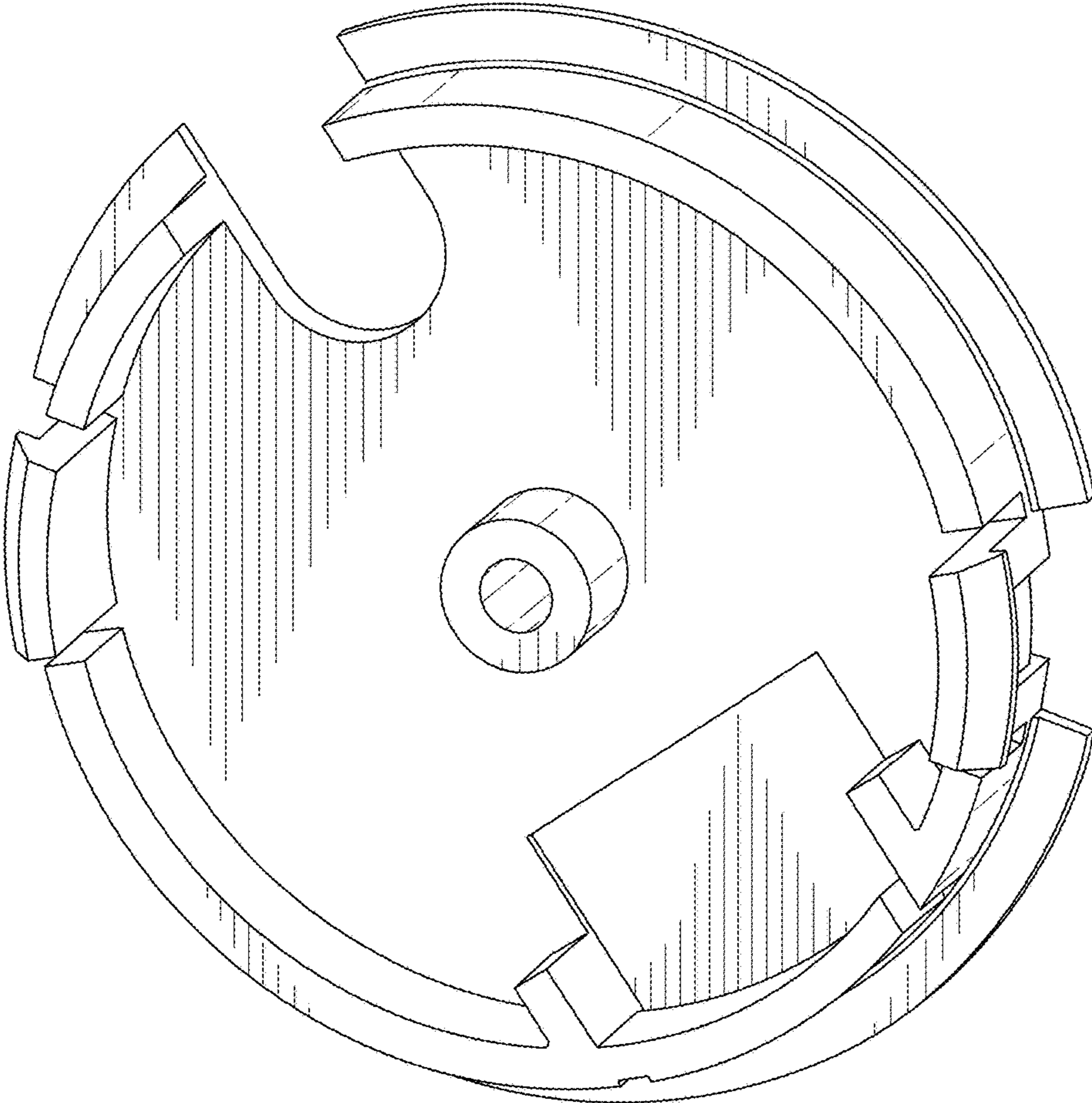


FIG. 8

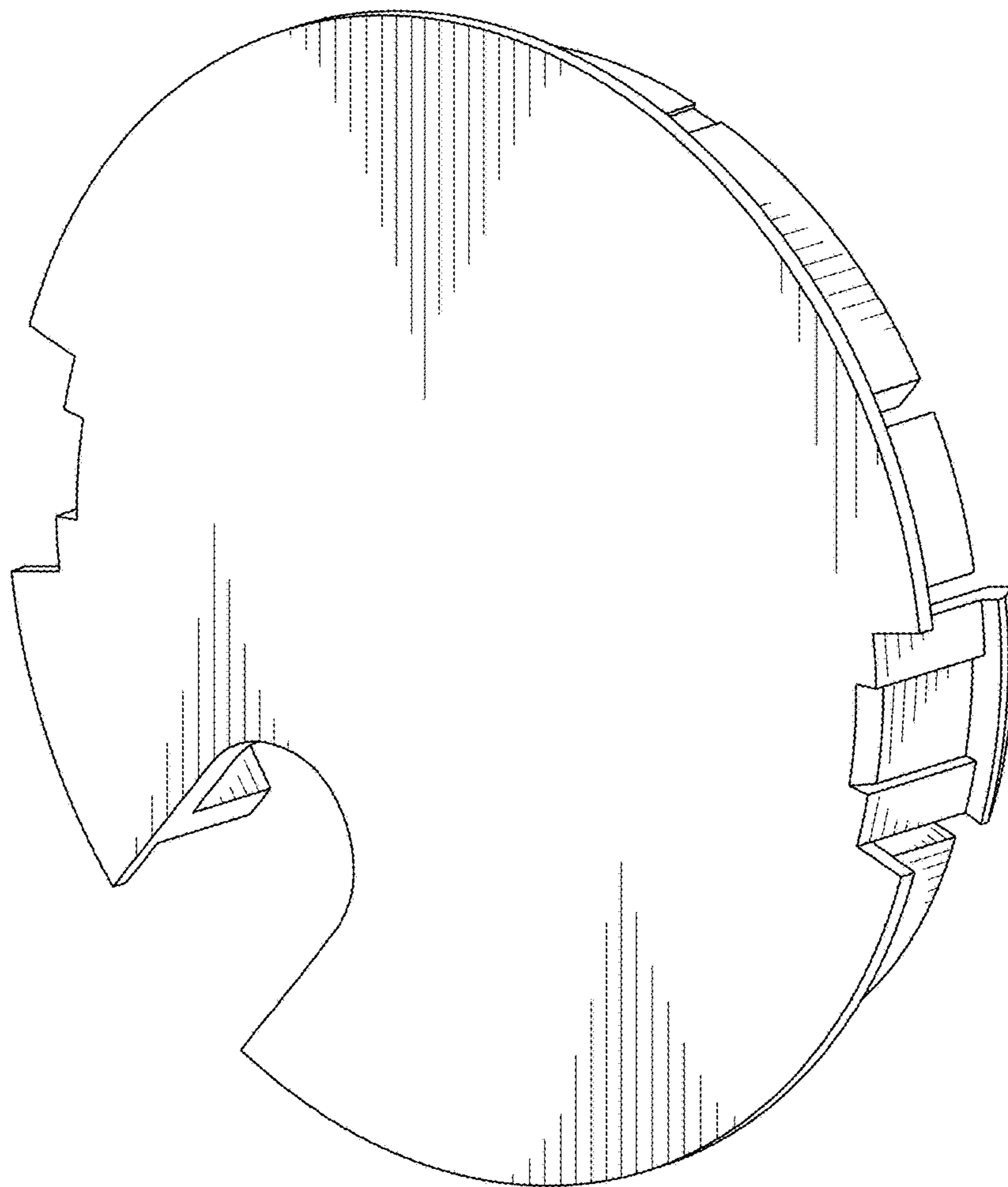


FIG. 9

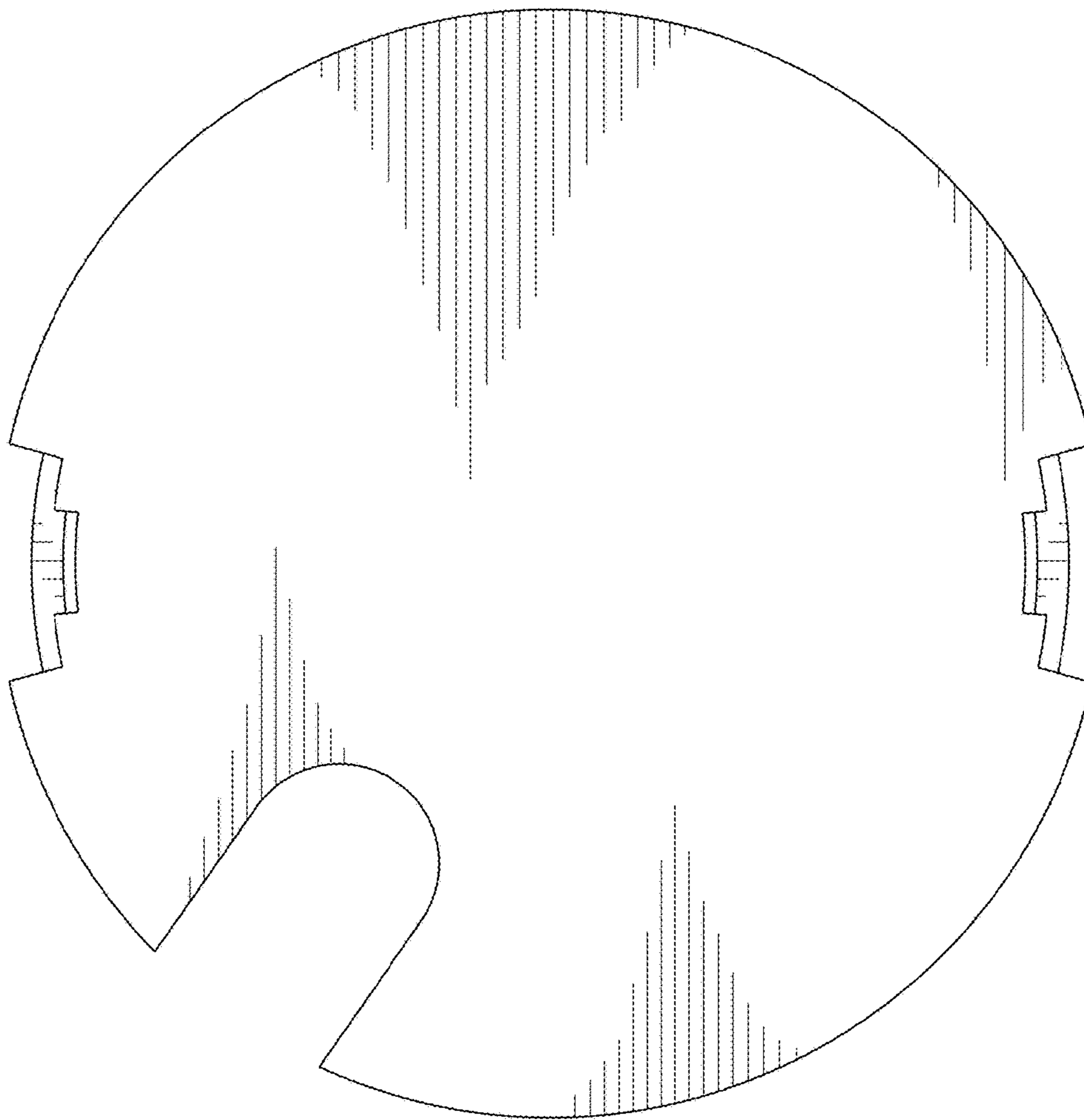


FIG. 10

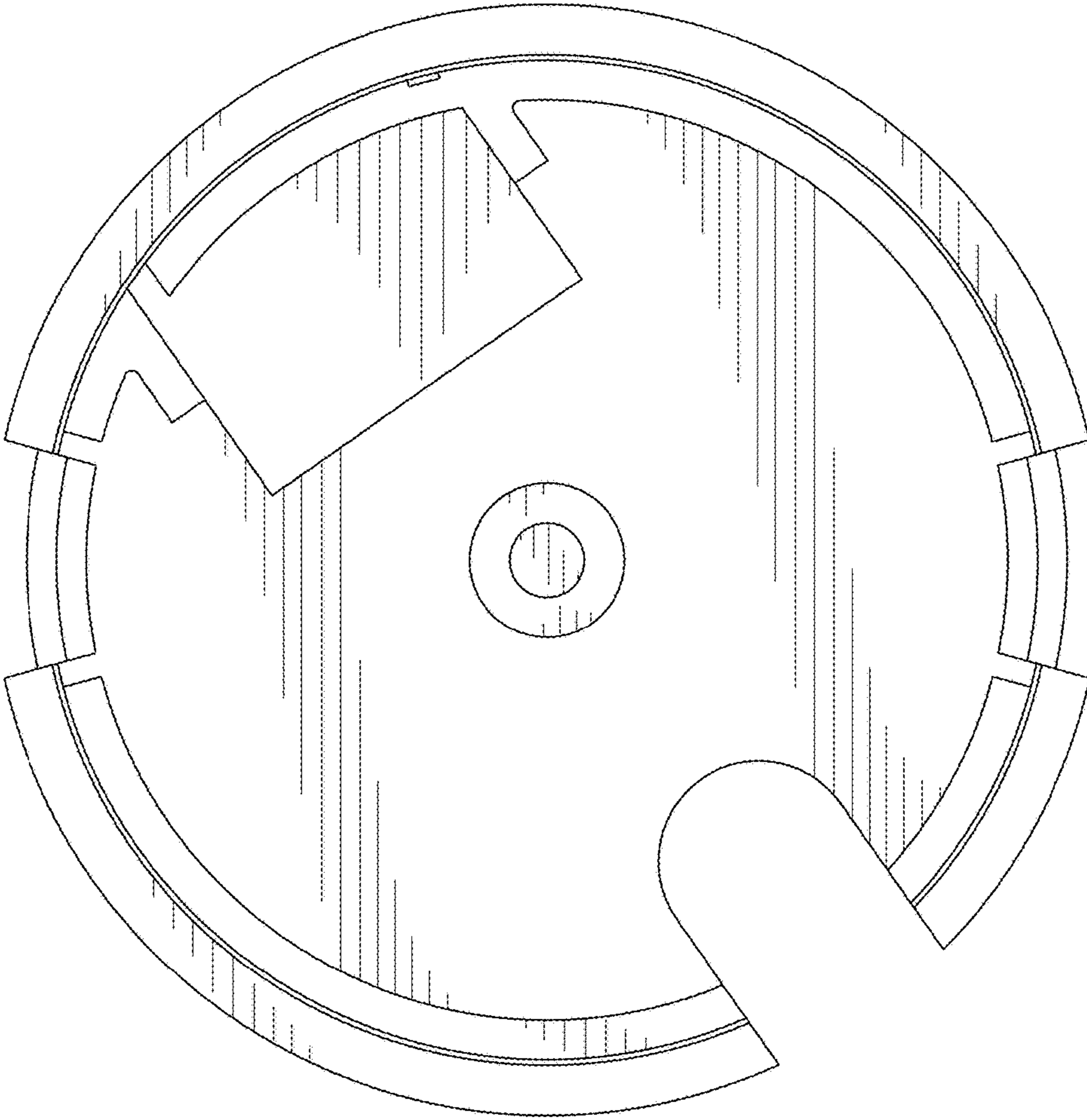


FIG. 11