

US00D866481S

(12) **United States Design Patent**  
**DeCosta**

(10) **Patent No.:** **US D866,481 S**

(45) **Date of Patent:** **\*\* Nov. 12, 2019**

(54) **HANDLE GRIP FOR CABLE POSITIONING**

(71) Applicant: **Thomas DeCosta**, Westport, MA (US)

(72) Inventor: **Thomas DeCosta**, Westport, MA (US)

(\*\*) Term: **15 Years**

(21) Appl. No.: **29/620,116**

(22) Filed: **Jul. 8, 2016**

(51) **LOC (12) Cl.** ..... **13-03**

(52) **U.S. Cl.**  
USPC ..... **D13/155**

(58) **Field of Classification Search**  
USPC ..... D13/155, 153, 154, 156, 157, 184, 199;  
D8/44, 303, 356  
CPC .. G02B 6/4452; G02B 6/4459; G02B 6/4478;  
G02B 6/3608; H02G 3/045; H02G  
3/0456; H02G 3/0487; H02G 3/26; H02G  
9/06

See application file for complete search history.

(56) **References Cited**

**U.S. PATENT DOCUMENTS**

- 4,311,069 A \* 1/1982 Walker ..... B25B 25/00  
254/18
- 4,591,197 A \* 5/1986 Akkerman ..... E21B 23/00  
294/86.17
- D297,399 S \* 8/1988 Furutsu ..... D8/44
- 5,149,056 A \* 9/1992 Jones ..... H02G 1/08  
254/134.3 FT
- D401,907 S \* 12/1998 Gazerro ..... D13/155

- D408,698 S \* 4/1999 Chen ..... D8/44
- D412,820 S \* 8/1999 Lee ..... D19/69
- 6,431,524 B1 \* 8/2002 Weber ..... H02G 1/08  
254/134.3 FT
- D481,291 S \* 10/2003 Hernandez, Jr. .... D8/107
- D578,771 S \* 10/2008 Bagley ..... D4/132
- D702,648 S \* 4/2014 Ichio ..... D13/146
- D732,361 S \* 6/2015 Dyer ..... D8/44
- 9,540,897 B2 \* 1/2017 Drenth ..... E21B 31/20
- 2010/0229698 A1 \* 9/2010 Shawcross ..... B25B 23/1427  
81/486

\* cited by examiner

*Primary Examiner* — Derrick E Holland

*Assistant Examiner* — Jennifer O King

(57) **CLAIM**

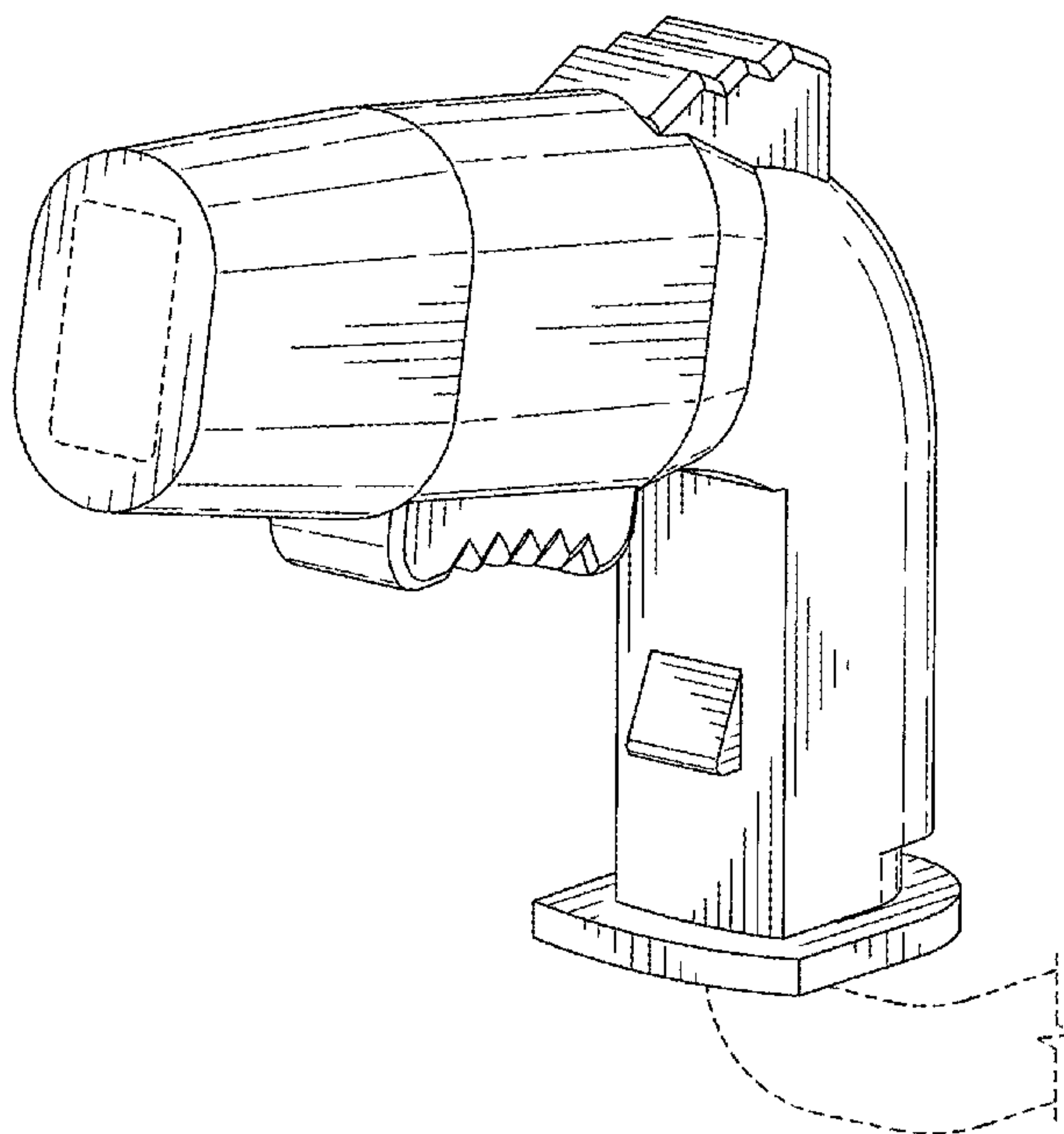
The ornamental design for a handle grip for cable positioning, as shown and described.

**DESCRIPTION**

FIG. 1 is a front perspective view of a handle grip for cable positioning, showing my new design;  
 FIG. 2 is a right side view thereof;  
 FIG. 3 is a left side view thereof;  
 FIG. 4 is a top view thereof;  
 FIG. 5 is a bottom view thereof;  
 FIG. 6 is a front view thereof;  
 FIG. 7 is a rear view thereof; and,  
 FIG. 8 is an enlarged partial rear perspective view of a portion of a FIG. 1.

The broken lines shown represent portions of the handle grip for cable positioning that form no part of the claimed design.

**1 Claim, 7 Drawing Sheets**



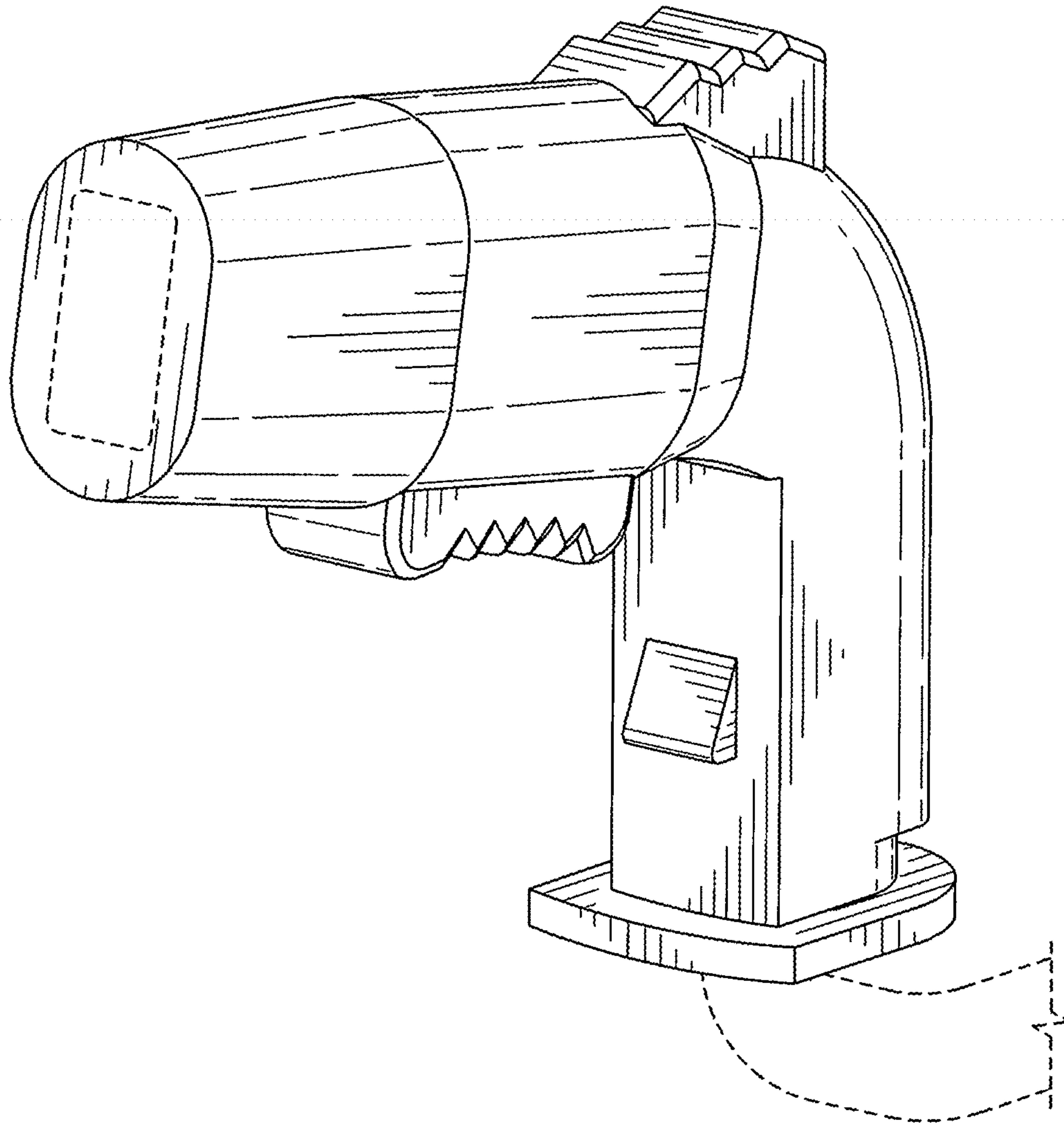


FIG. 1

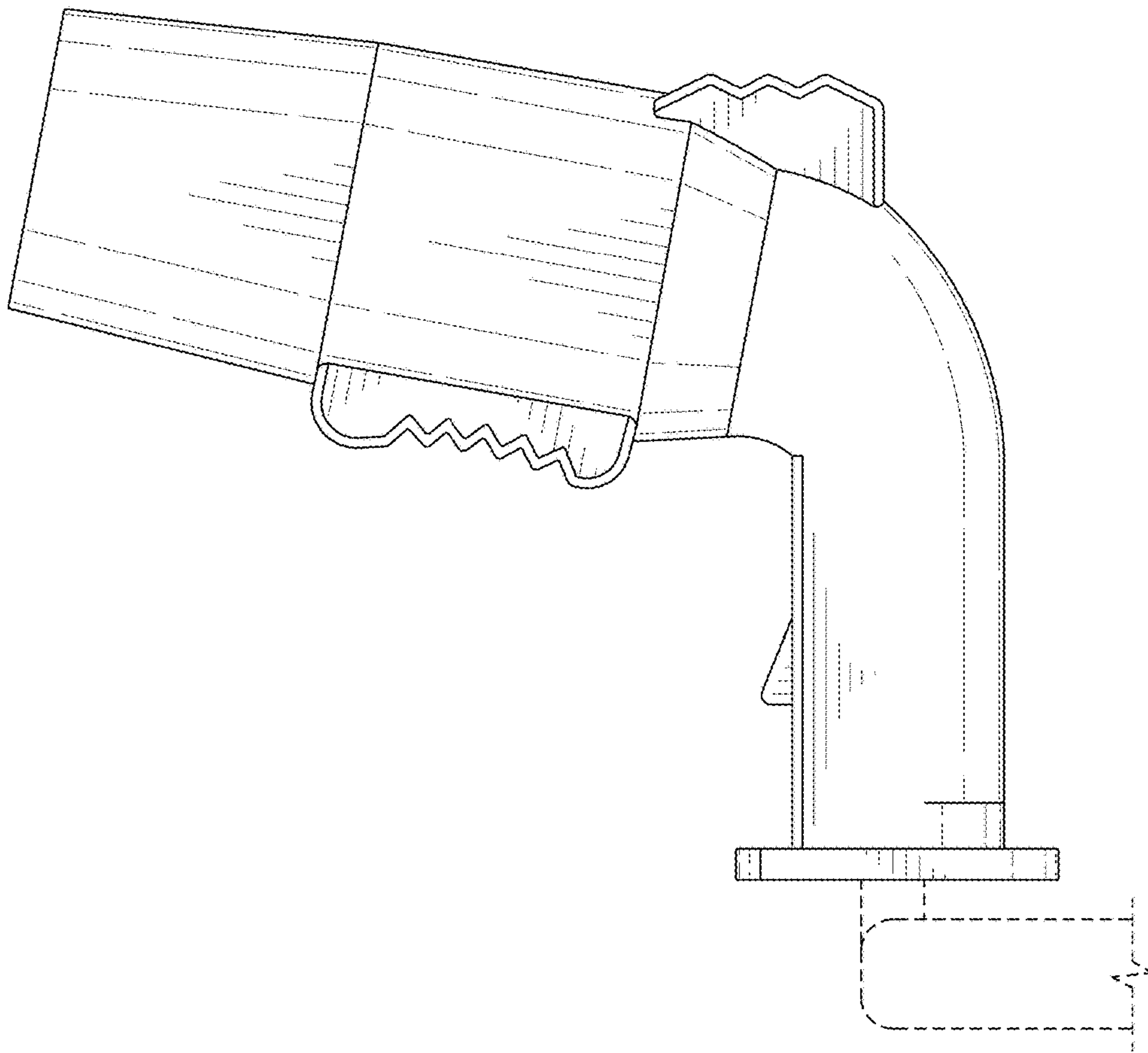


FIG. 2

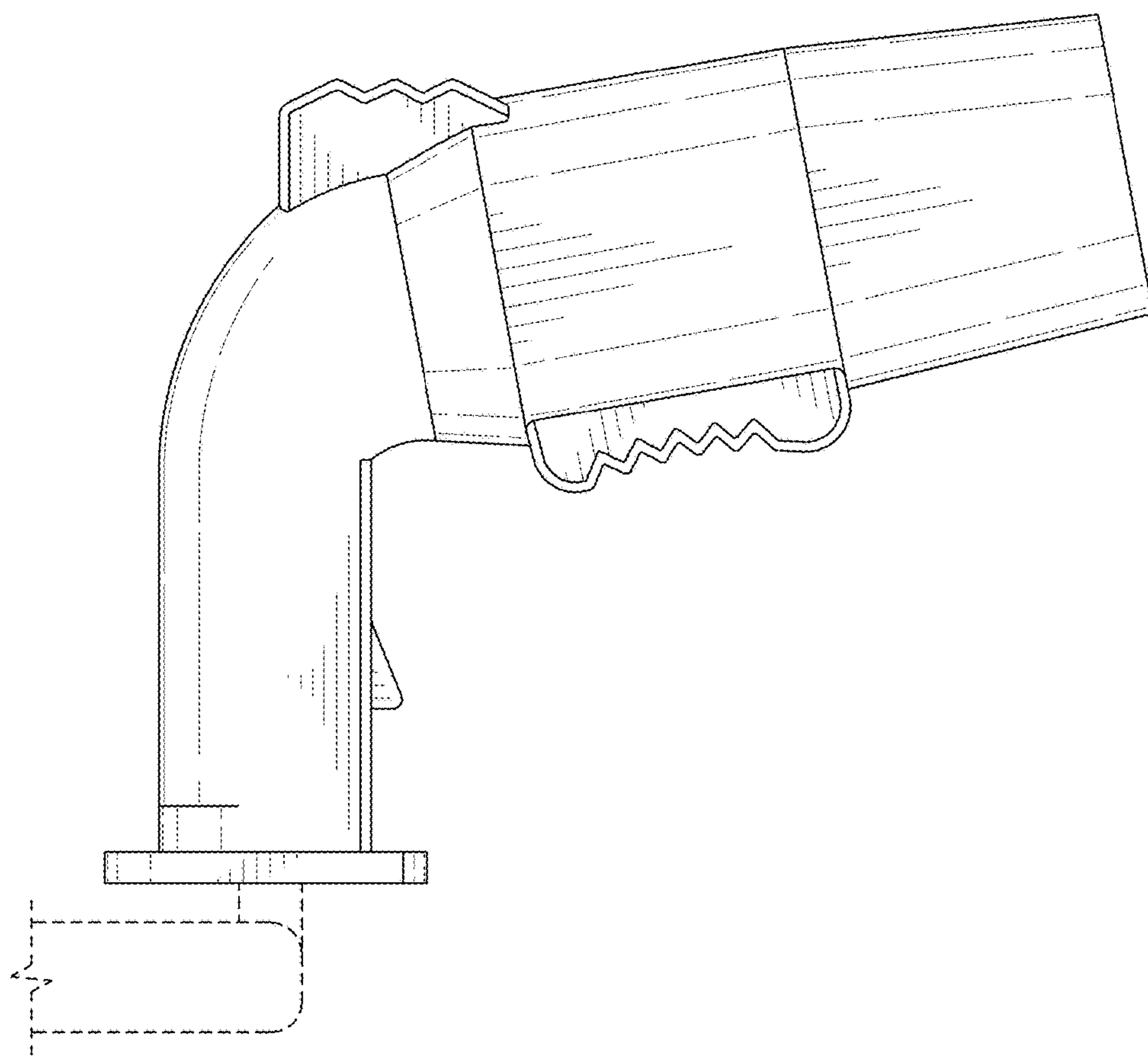


FIG. 3

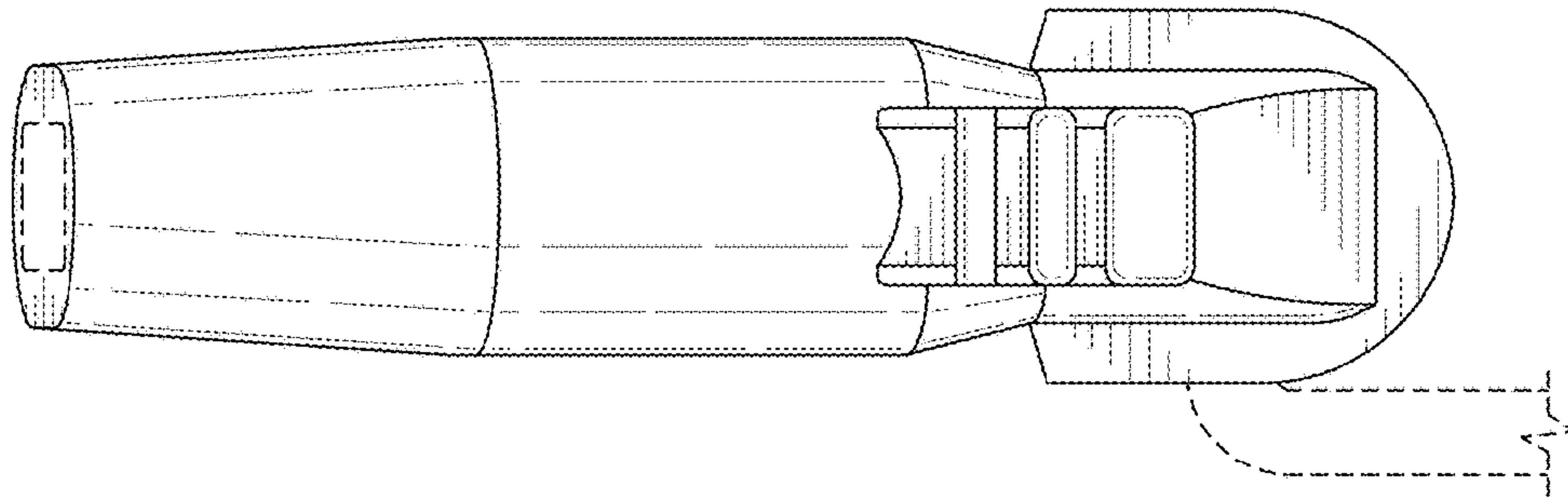


FIG. 4

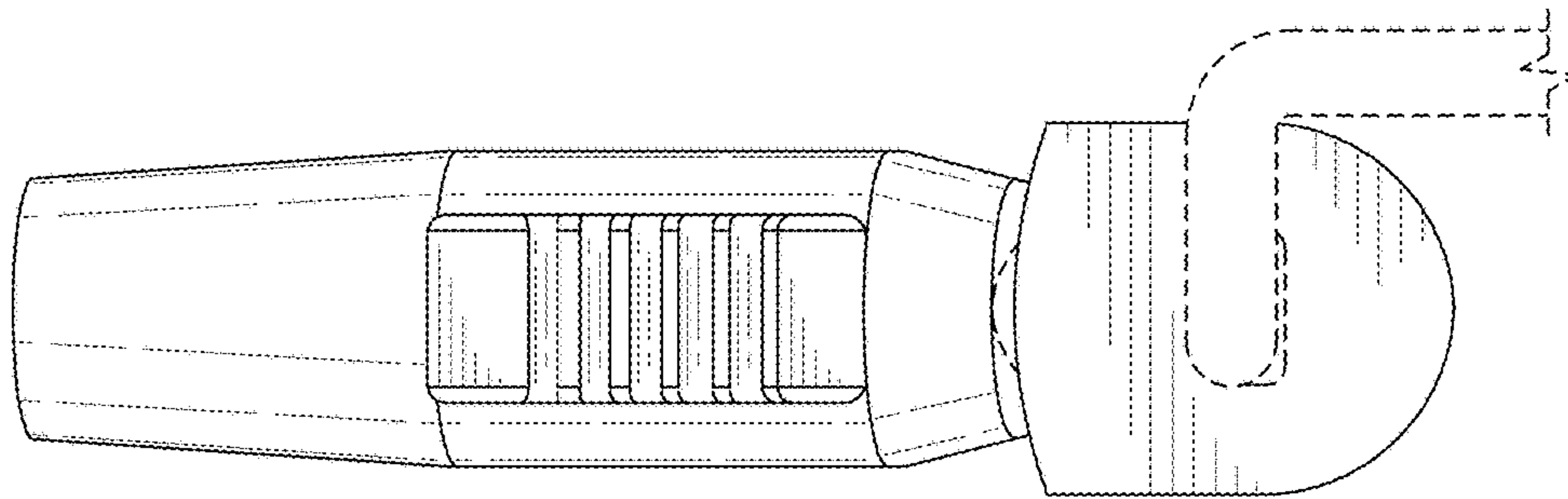


FIG. 5

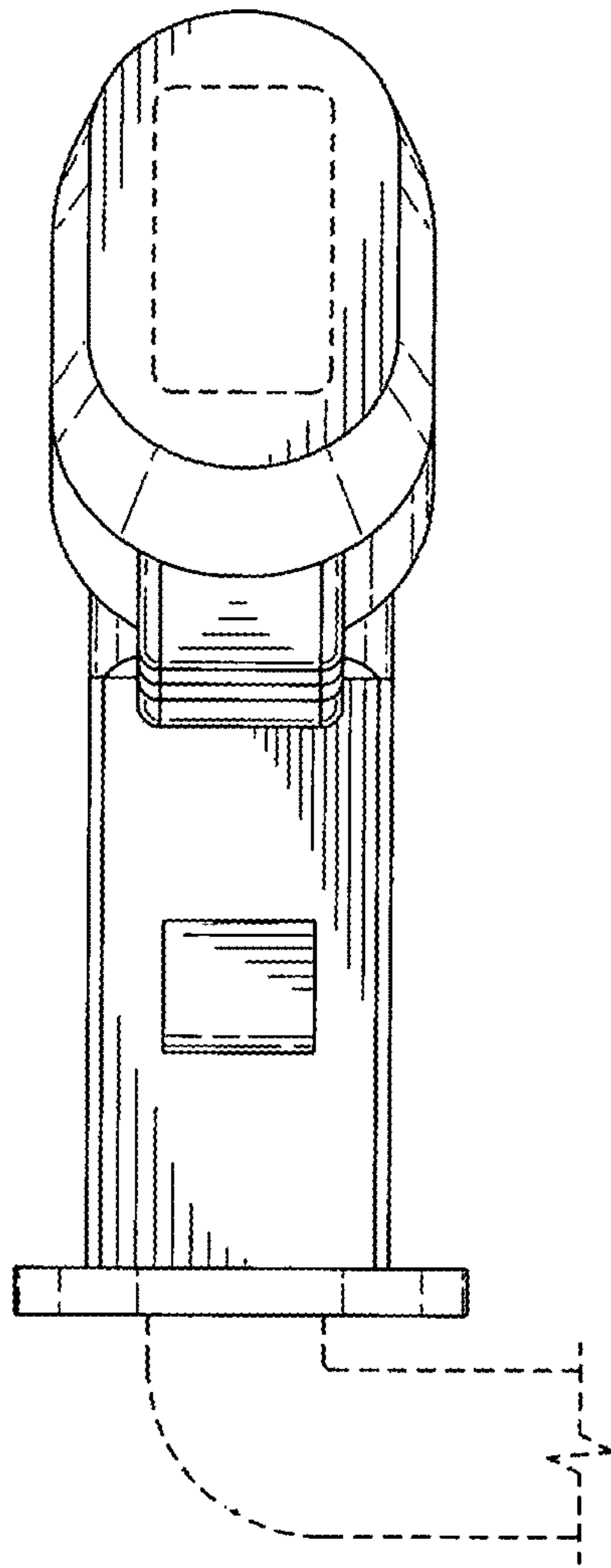


FIG. 6



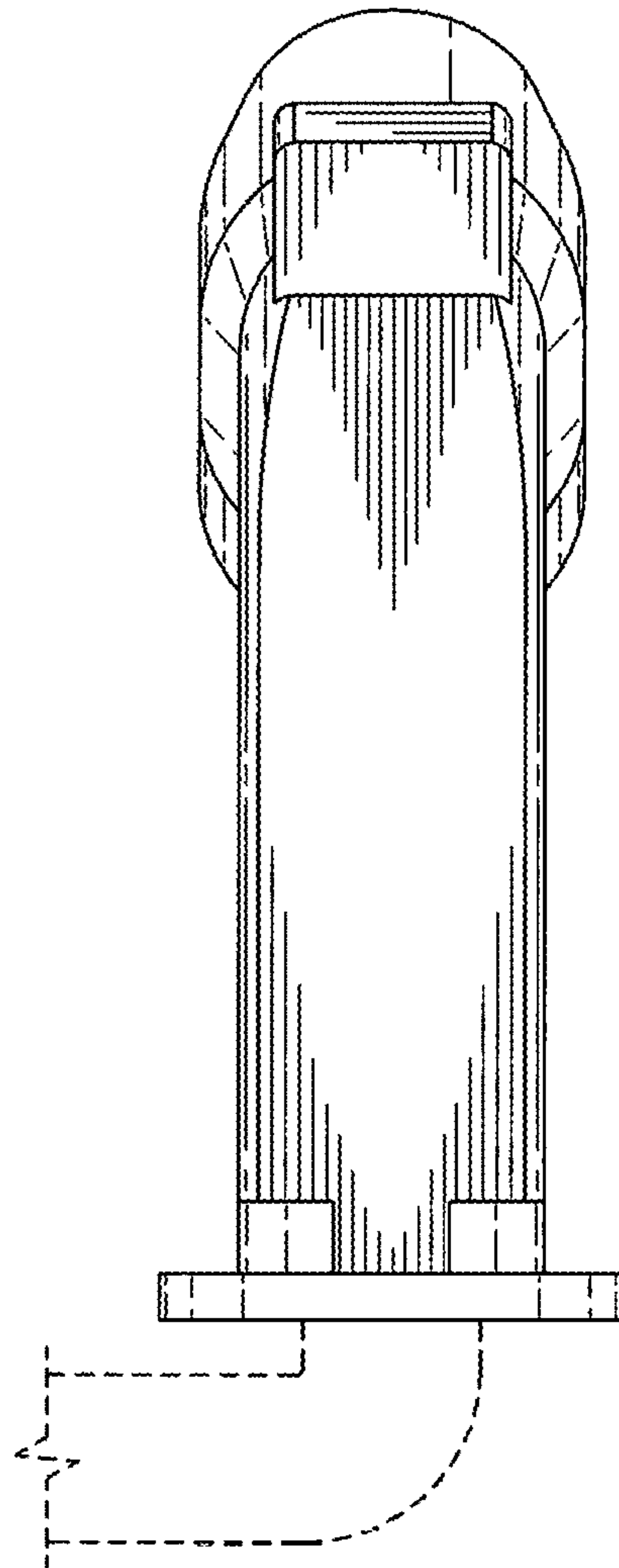


FIG. 7

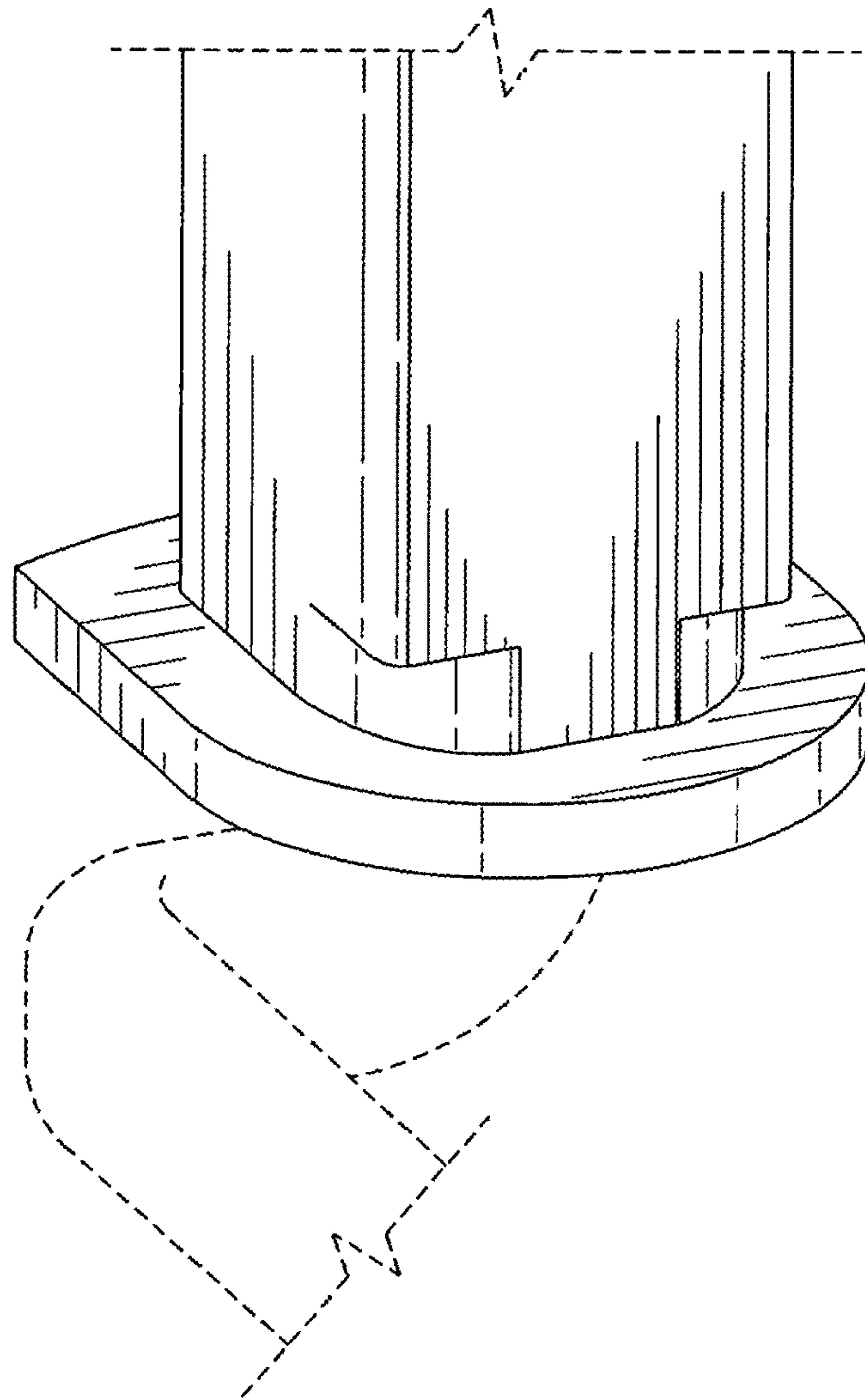


FIG. 8