



US00D866480S

(12) **United States Design Patent** (10) **Patent No.:** **US D866,480 S**
Hoshikawa (45) **Date of Patent:** **** Nov. 12, 2019**

(54) **CABLE HOLDER**

(71) Applicant: **Trinity, Inc.**, Saitama (JP)
(72) Inventor: **Tetsushi Hoshikawa**, Saitama (JP)
(73) Assignee: **Trinity, Inc.**, Saitama (JP)
(**) Term: **15 Years**

(21) Appl. No.: **29/619,872**
(22) Filed: **Oct. 3, 2017**

(30) **Foreign Application Priority Data**

Apr. 3, 2017 (JP) 2017-007089

(51) **LOC (12) Cl.** **13-03**
(52) **U.S. Cl.**
USPC **D13/155**; D8/356

(58) **Field of Classification Search**
USPC D13/149, 154, 155, 120, 133, 153, 156;
D8/356; D14/205, 223, 224; D3/218
CPC H01R 13/6582; H01R 13/6585; H01R
13/405; H01R 13/504; H01R 13/514;
H01R 13/518; H01R 13/6591; H01R
24/60; H01R 24/62; H01R 43/24; H01R
2107/00; H01R 27/02; H01R 31/02;
H01R 43/26; H01R 13/6625; H01R
13/6666; H01R 13/70; H01R 13/7175;
B29C 45/00; B66C 1/36; B63B 21/045;
A44B 13/0029; F16L 3/223; F16L 3/00;
F16L 3/22; H02G 3/32; H02G 9/025
See application file for complete search history.

(56) **References Cited**

U.S. PATENT DOCUMENTS

D488,054 S * 4/2004 Myers D8/356
D568,254 S * 5/2008 Patchett D13/155
D568,723 S * 5/2008 Morgan D8/356

D597,493 S * 8/2009 Wu D13/155
D638,690 S * 5/2011 Hoek D8/356
D638,692 S * 5/2011 Hoek D8/356
D644,501 S * 9/2011 Chen D8/356
D668,934 S * 10/2012 Warner D8/356
D727,717 S * 4/2015 Byrne D8/356
D768,069 S * 10/2016 Hoshikawa D13/103
D769,198 S * 10/2016 Sajedian D13/155
D788,112 S * 5/2017 Liao D14/433
D853,336 S * 7/2019 Barram D13/155

* cited by examiner

Primary Examiner — Bridget L Eland
(74) *Attorney, Agent, or Firm* — JCIPRNET

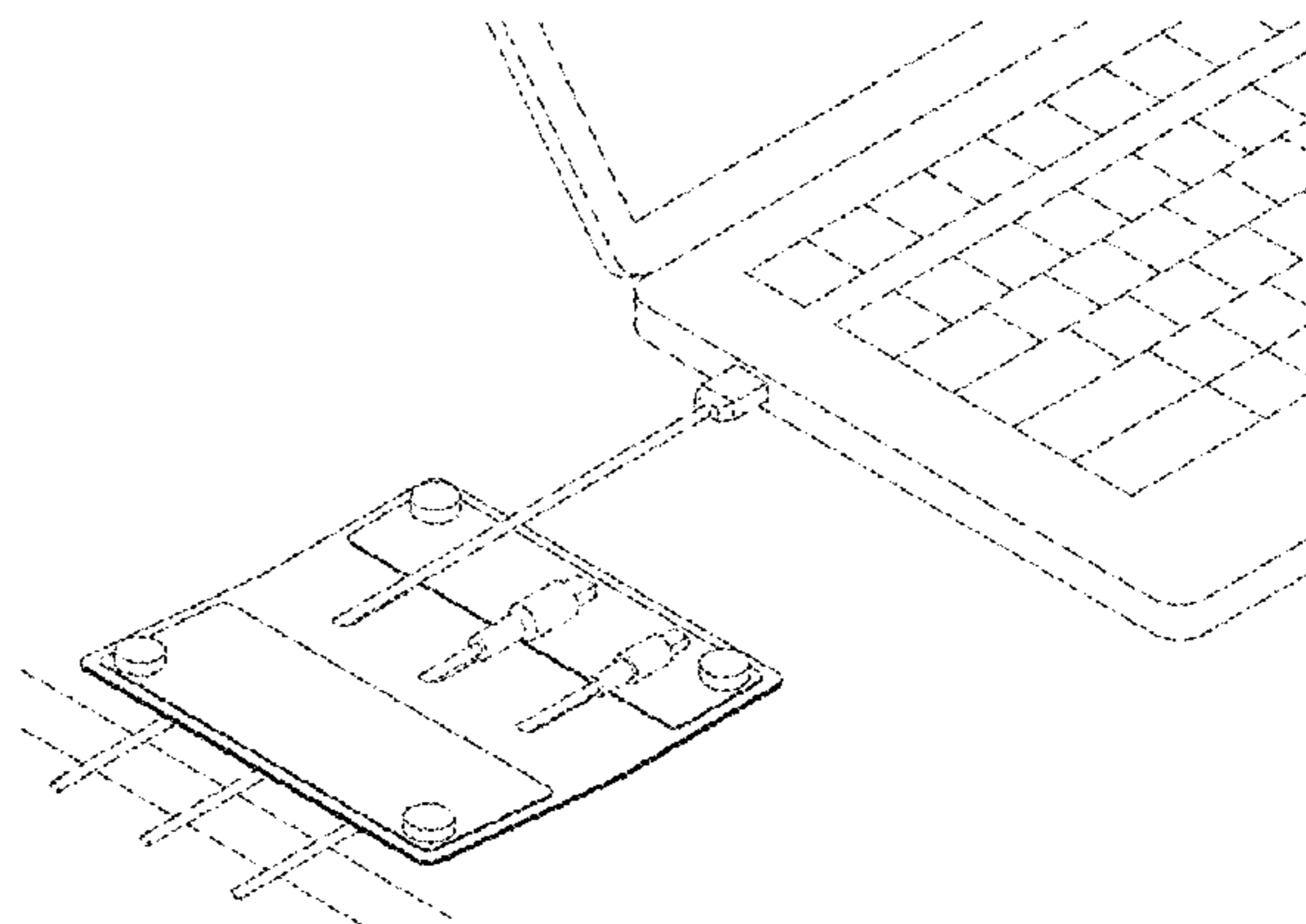
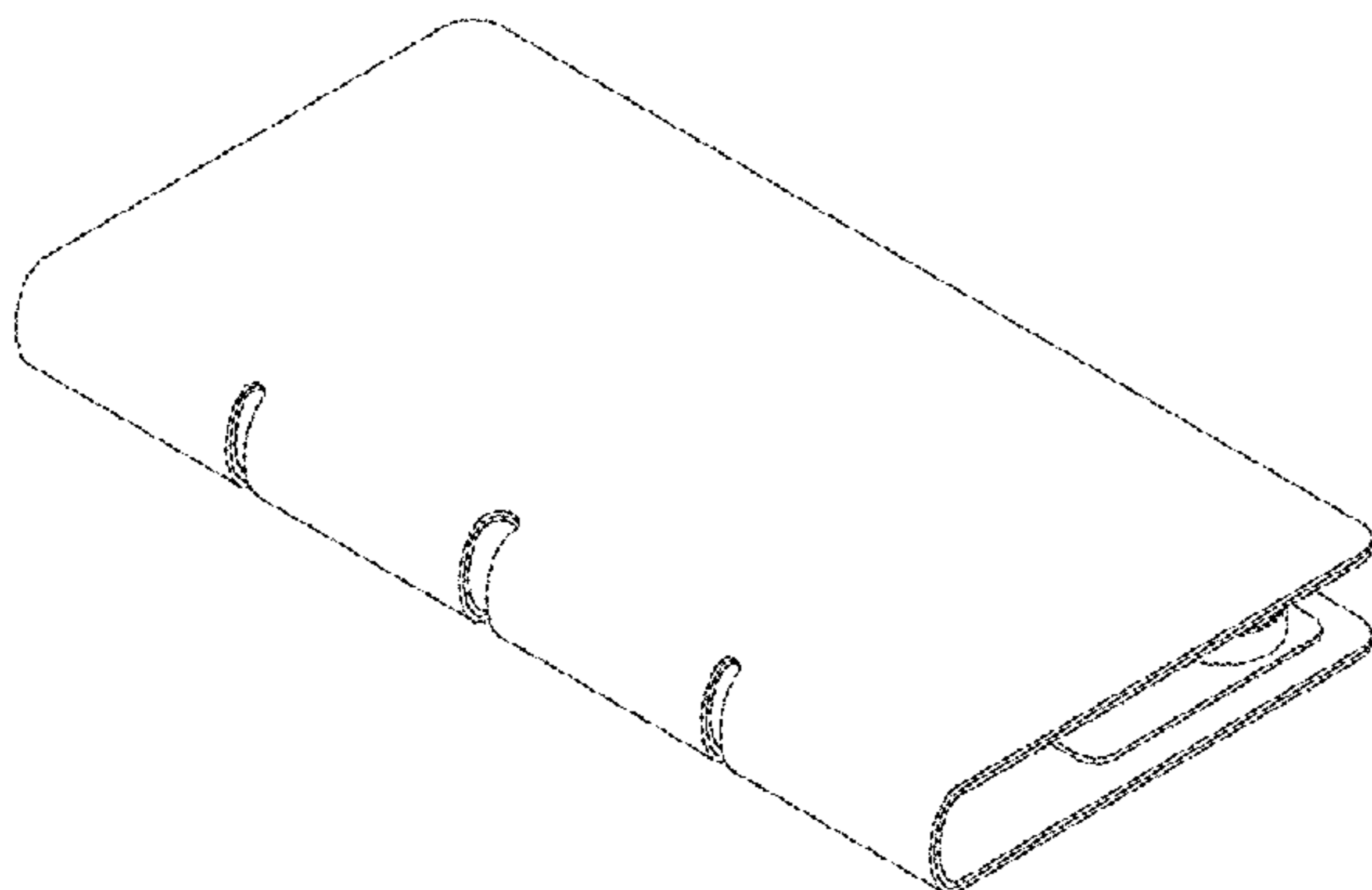
(57) **CLAIM**

The ornamental design for a cable holder, as shown.

DESCRIPTION

FIG. 1 is a perspective view of a cable holder showing my new design;
FIG. 2 is a front view thereof;
FIG. 3 is a rear view thereof;
FIG. 4 is a right side view thereof, the left view being a mirror image;
FIG. 5 is a top view thereof;
FIG. 6 is a bottom view thereof;
FIG. 7 is a right side view thereof, showing the cable holder in an open position;
FIG. 8 is a front side view thereof, showing the cable holder in the open position;
FIG. 9 is a top view thereof, showing the cable holder in the open position;
FIG. 10 is a perspective view thereof, shown with environment; and,
FIG. 11 is another perspective view thereof, shown with environment.
The broken lines in FIGS. 10 and 11 are directed to environment and form no part of the claimed design.

1 Claim, 10 Drawing Sheets



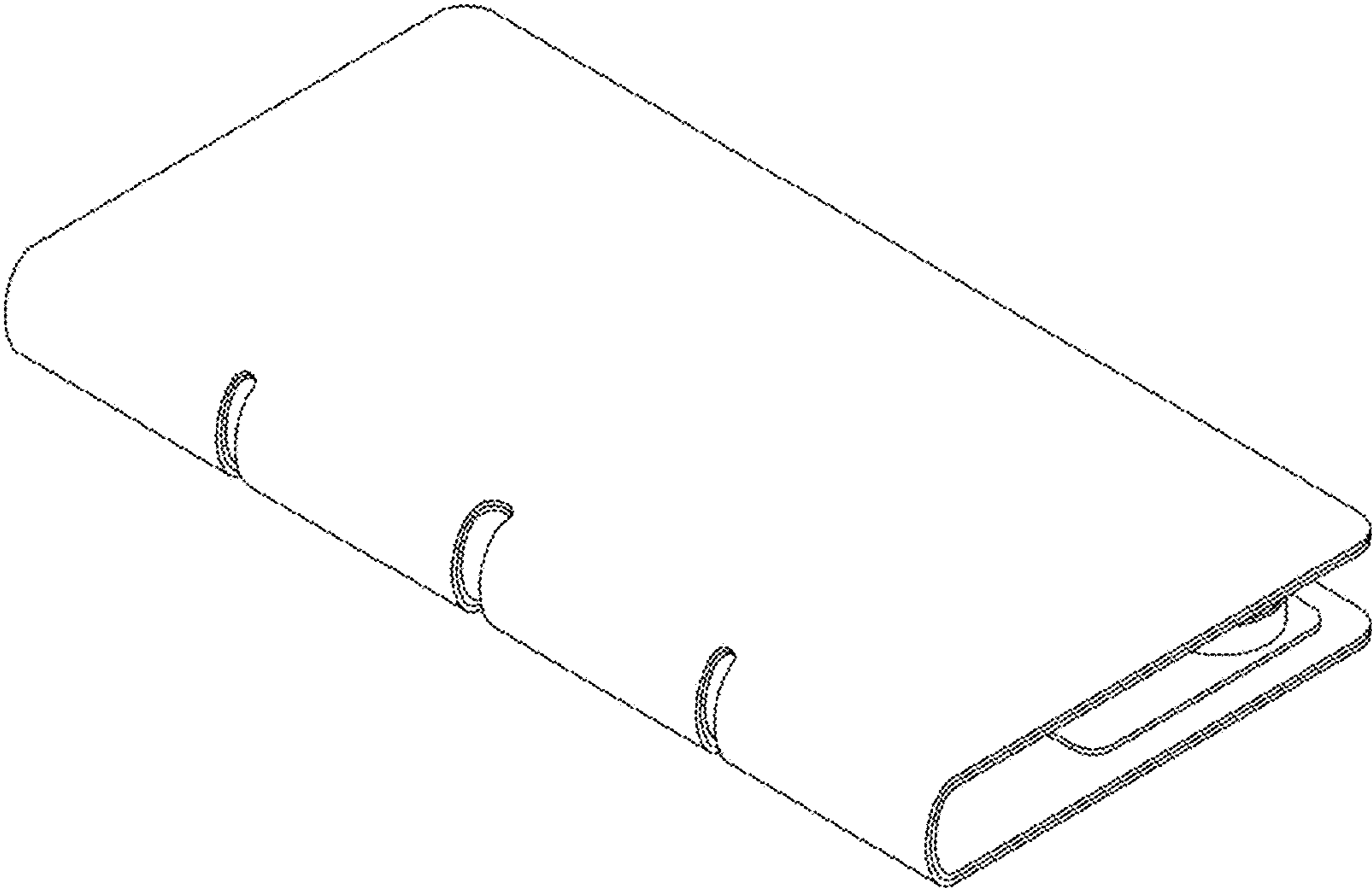


FIG. 1

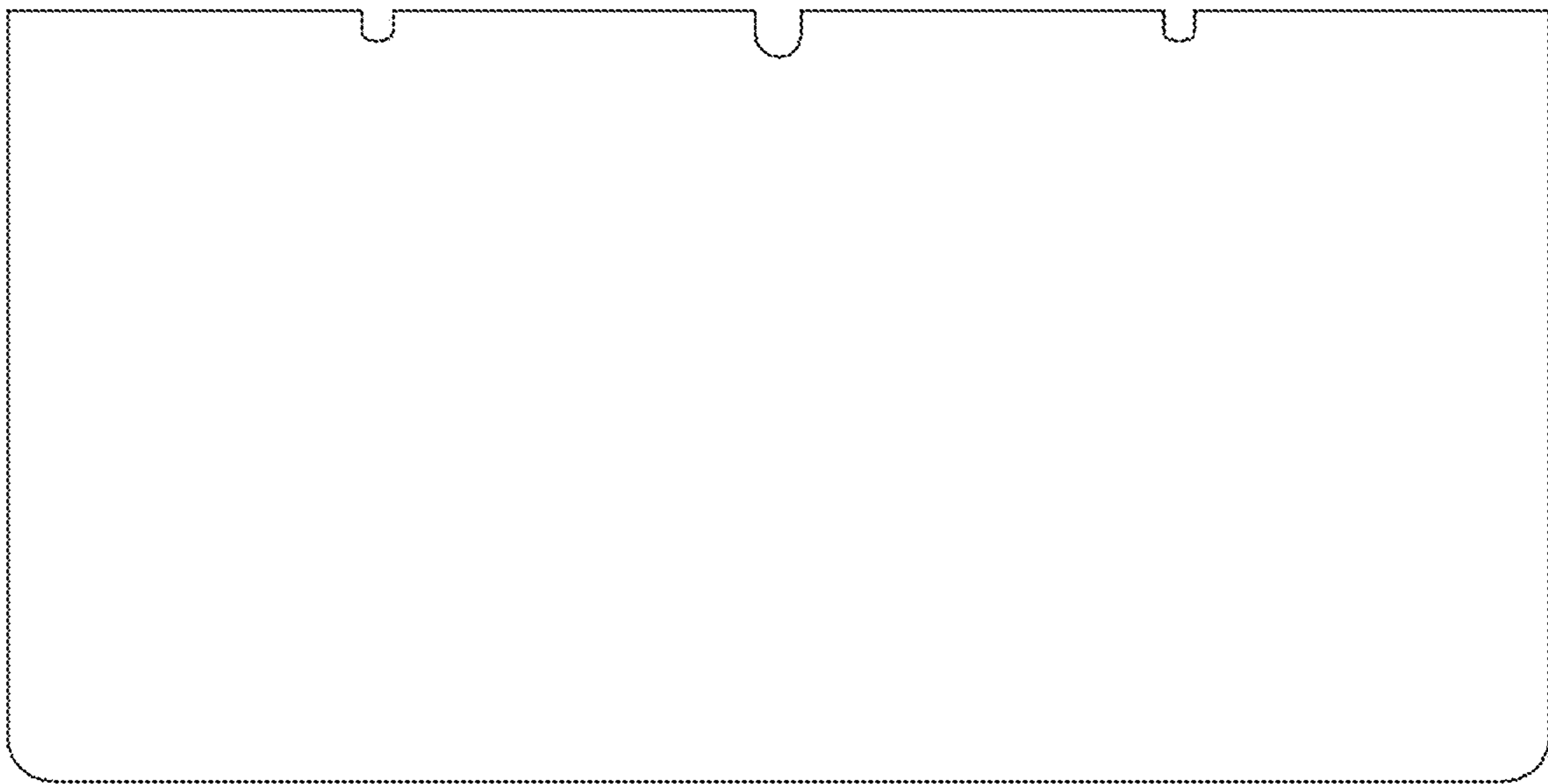


FIG. 2

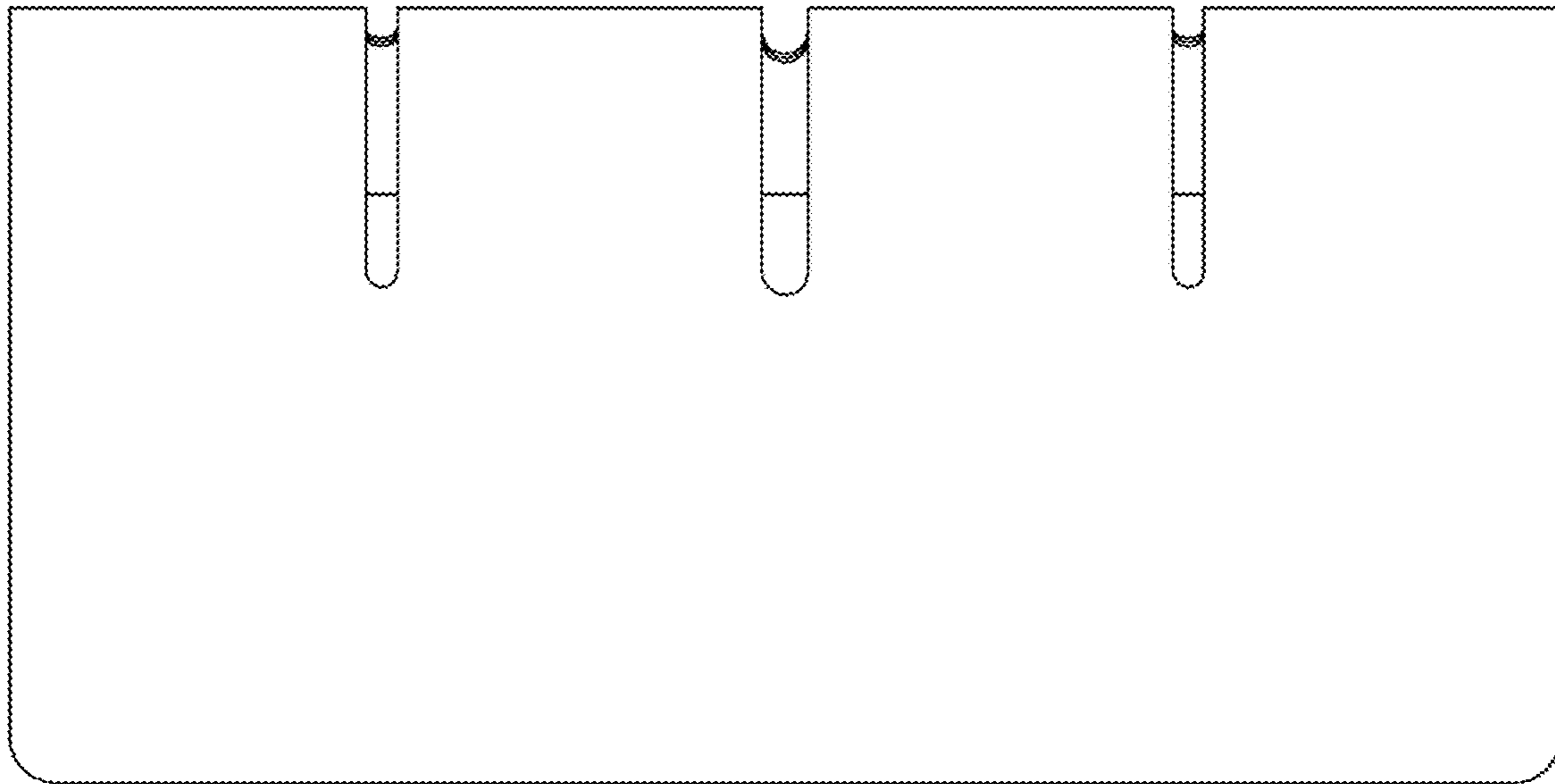


FIG. 3

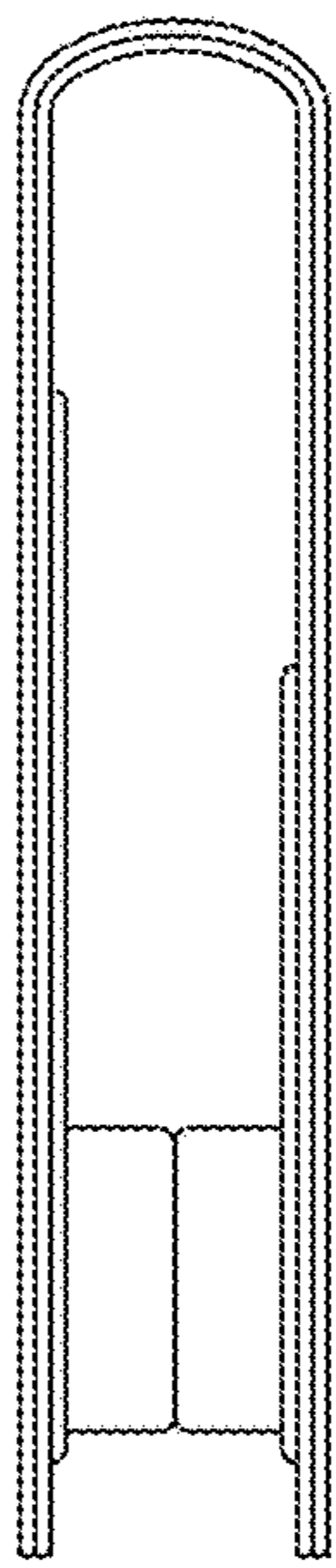


FIG. 4

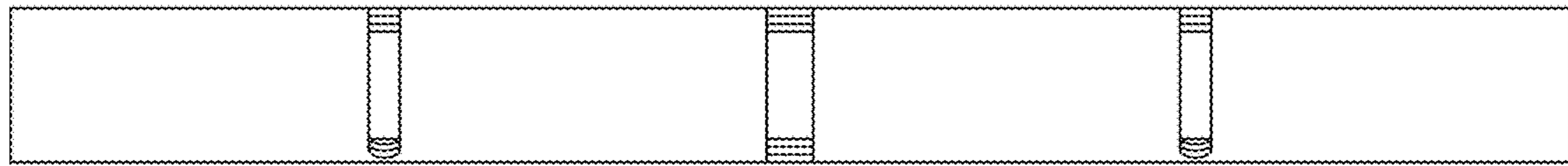


FIG. 5

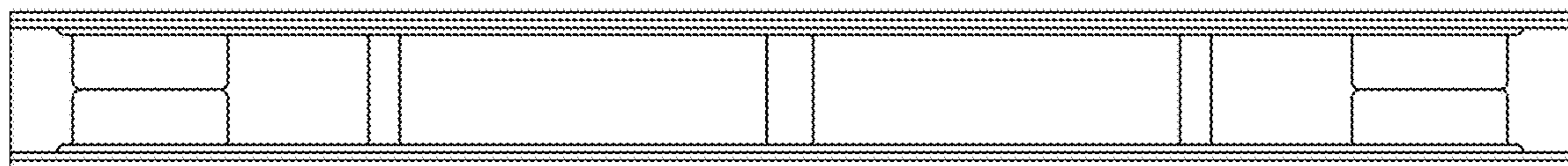


FIG. 6



FIG. 7

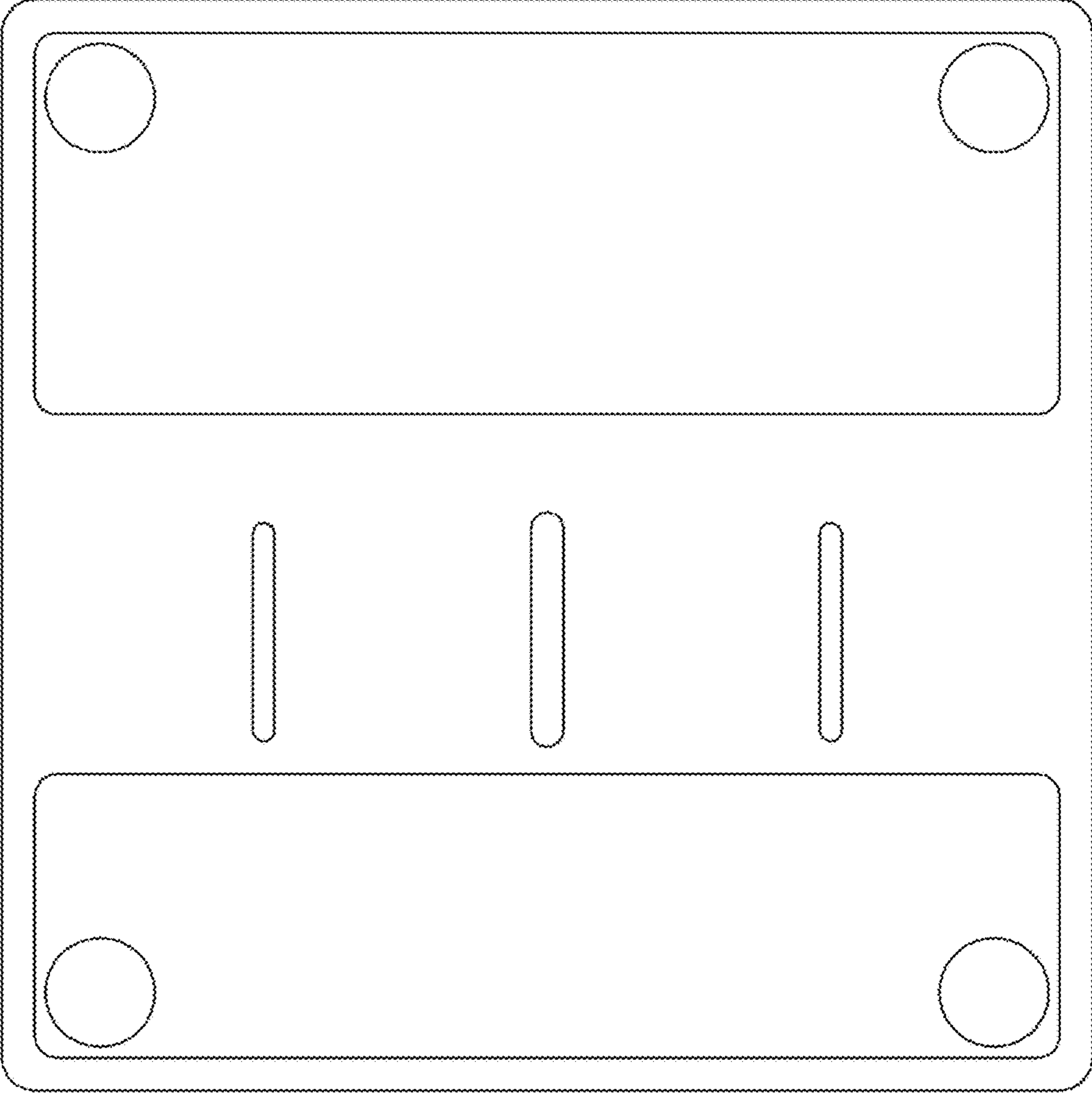


FIG. 8



FIG. 9

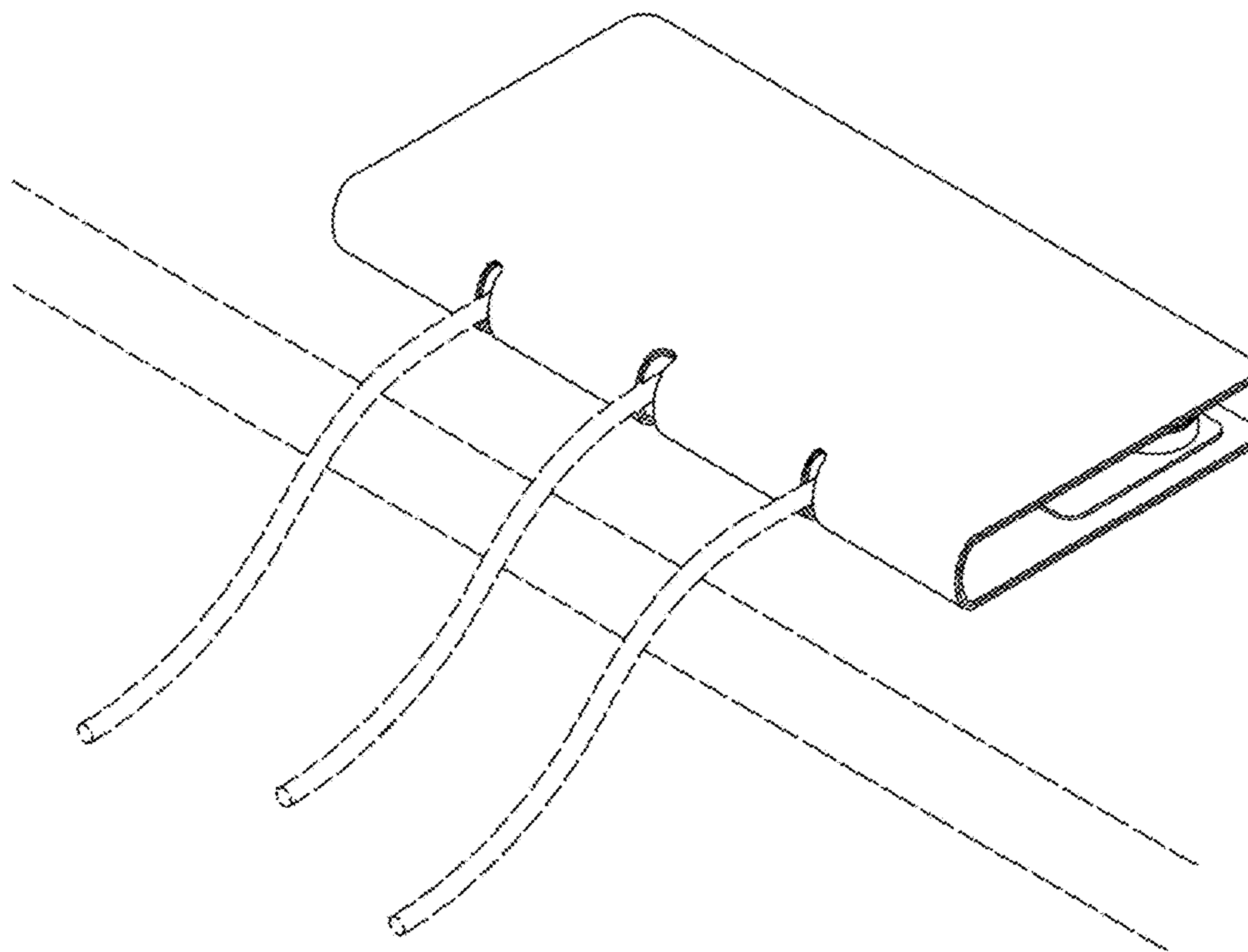


FIG. 10

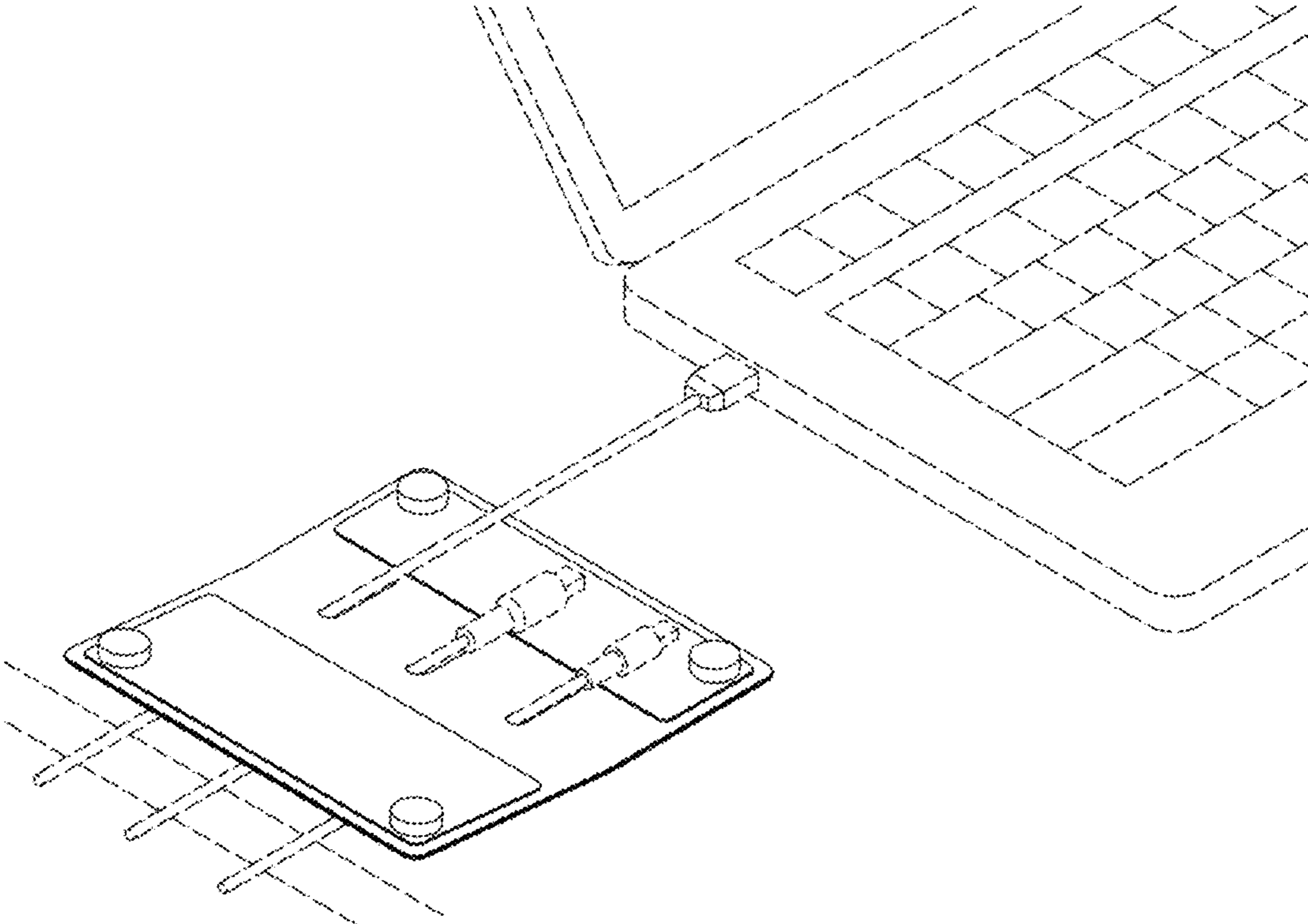


FIG. 11