



US00D866479S

(12) **United States Design Patent**  
**Hoshikawa**

(10) **Patent No.:** **US D866,479 S**

(45) **Date of Patent:** **\*\* Nov. 12, 2019**

(54) **CABLE STORAGE CASE**

(71) Applicant: **Trinity, Inc.**, Saitama (JP)

(72) Inventor: **Tetsushi Hoshikawa**, Saitama (JP)

(73) Assignee: **Trinity, Inc.**, Saitama (JP)

(\*\*) Term: **15 Years**

(21) Appl. No.: **29/619,871**

(22) Filed: **Oct. 3, 2017**

(30) **Foreign Application Priority Data**

Apr. 3, 2017 (JP) ..... 2017-007087

(51) **LOC (12) Cl.** ..... **13-03**

(52) **U.S. Cl.**  
USPC ..... **D13/155; D8/356**

(58) **Field of Classification Search**  
USPC ..... D13/149, 154, 155, 120, 133, 153, 156;  
D8/356; D14/205, 223, 224; D3/218  
CPC ..... H01R 13/6582; H01R 13/6585; H01R  
13/405; H01R 13/504; H01R 13/514;  
H01R 13/518; H01R 13/6591; H01R  
24/60; H01R 24/62; H01R 43/24; H01R  
2107/00; H01R 27/02; H01R 31/02;  
H01R 43/26; H01R 13/6625; H01R  
13/6666; H01R 13/70; H01R 13/7175;  
B29C 45/00; B66C 1/36; B63B 21/045;  
A44B 13/0029; F16L 3/223; F16L 3/00;  
F16L 3/22; H02G 3/32; H02G 9/025  
See application file for complete search history.

(56) **References Cited**

**U.S. PATENT DOCUMENTS**

D331,915 S \* 12/1992 Martin ..... D13/154  
D363,461 S \* 10/1995 Duckman ..... D13/154

D456,360 S \* 4/2002 Chan ..... D13/153  
D461,168 S \* 8/2002 Liao ..... D13/155  
D488,448 S \* 4/2004 Ranger ..... D13/154  
D591,678 S \* 5/2009 Whitley ..... D13/133  
D631,730 S \* 2/2011 Skillman ..... B65H 75/143  
D8/356  
D674,271 S \* 1/2013 Rodwin ..... D8/356  
D721,335 S \* 1/2015 Smeja ..... D13/155  
D748,455 S \* 2/2016 Symons ..... D8/356  
D786,048 S \* 5/2017 Grewal ..... H04R 1/1033  
D8/356  
D840,947 S \* 2/2019 Pierce ..... D13/155  
2011/0076880 A1 \* 3/2011 Fleisig ..... H01R 13/72  
439/501

\* cited by examiner

*Primary Examiner* — Bridget L Eland  
(74) *Attorney, Agent, or Firm* — JCIPRNET

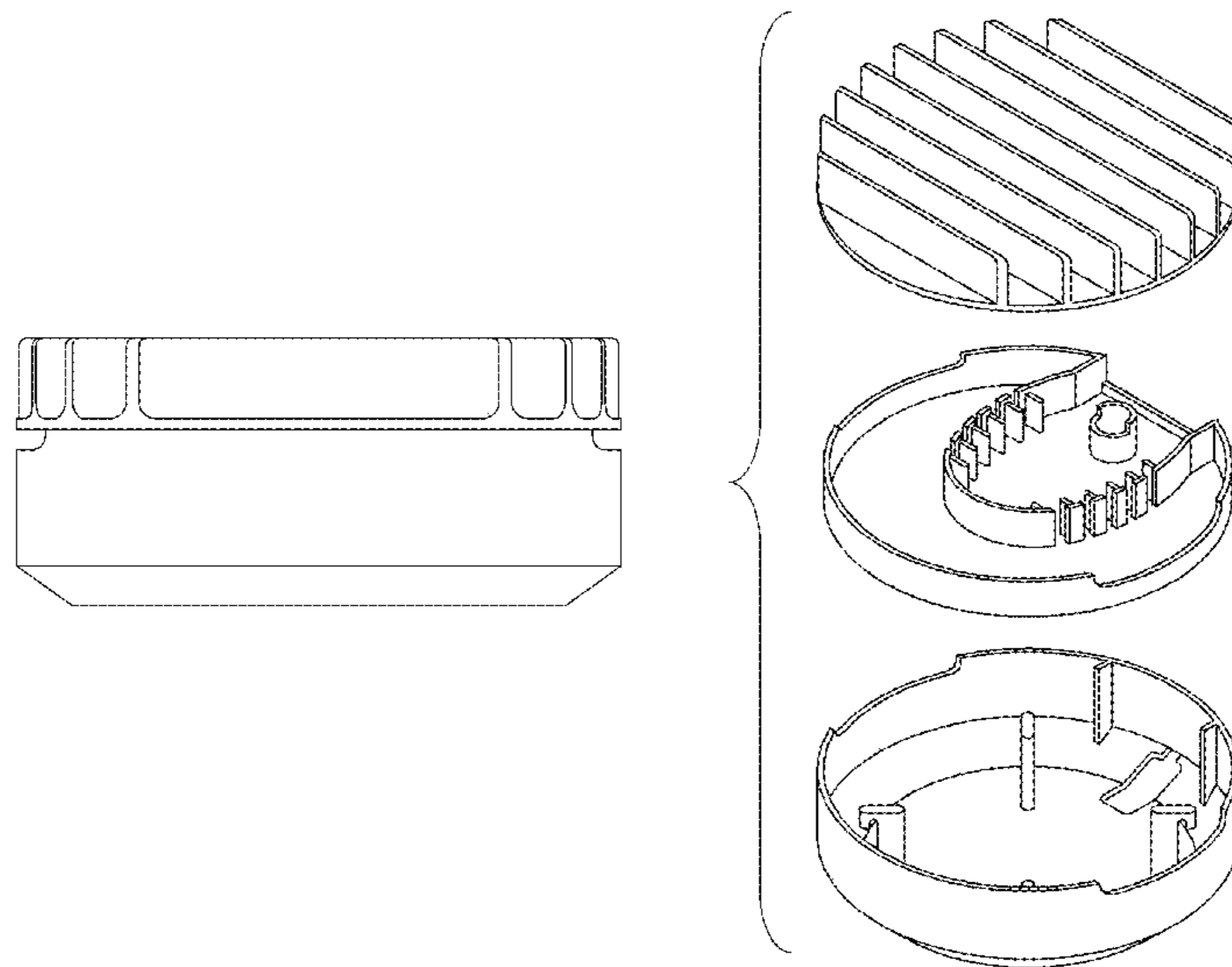
(57) **CLAIM**

The ornamental design for a cable storage case, as shown and described.

**DESCRIPTION**

FIG. 1 is a perspective view of a cable storage case showing my new design;  
FIG. 2 is a front view thereof;  
FIG. 3 is a rear view thereof;  
FIG. 4 is a left side view thereof;  
FIG. 5 is a right side view thereof;  
FIG. 6 is a top view thereof;  
FIG. 7 is a bottom view thereof;  
FIG. 8 is an exploded view thereof;  
FIG. 9 is an exploded view thereof shown in a state of use with environment; and,  
FIG. 10 is another perspective view thereof shown in a state of use with environment.  
The broken lines in FIGS. 9 and 10 are directed to environment and form no part of the claimed design.

**1 Claim, 8 Drawing Sheets**



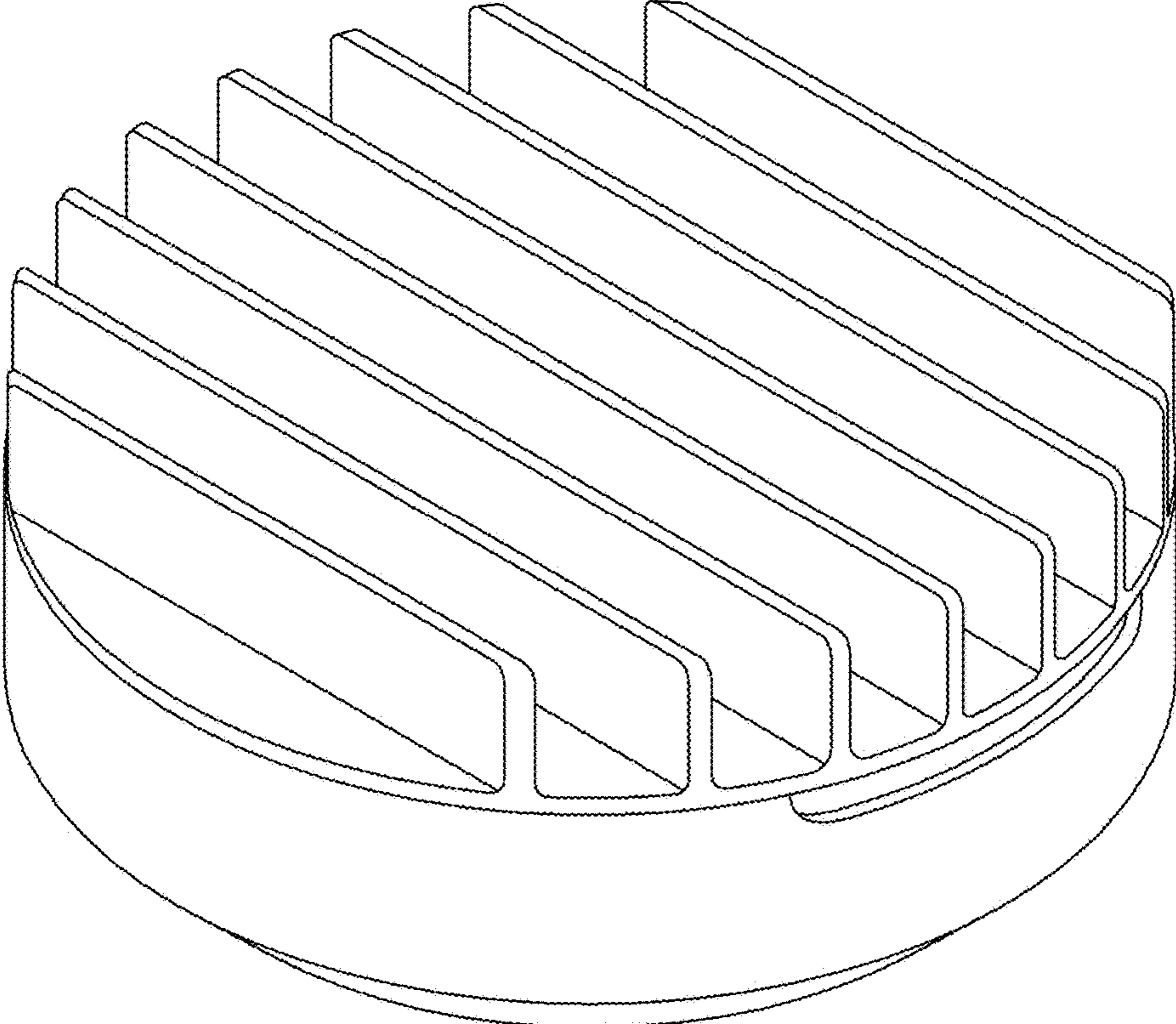


FIG. 1

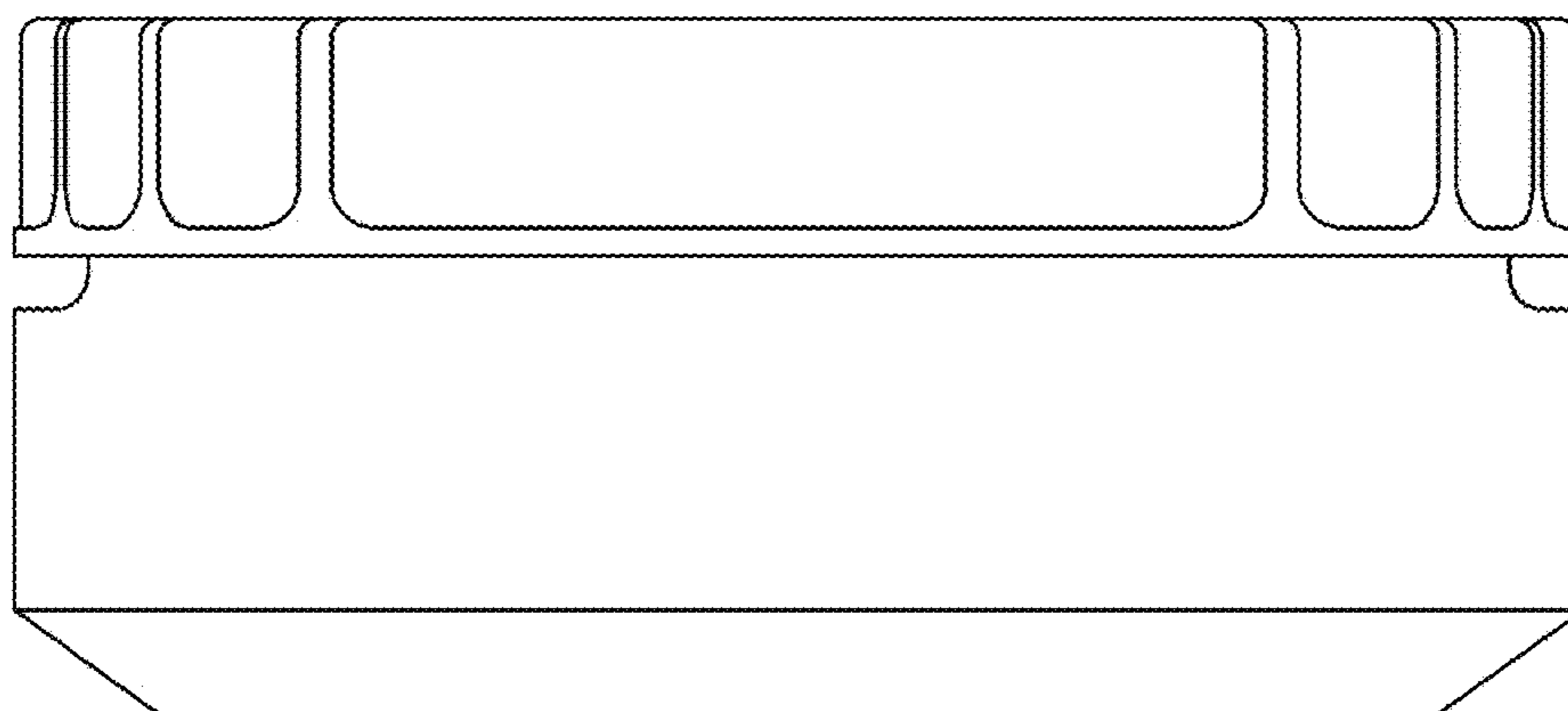


FIG. 2

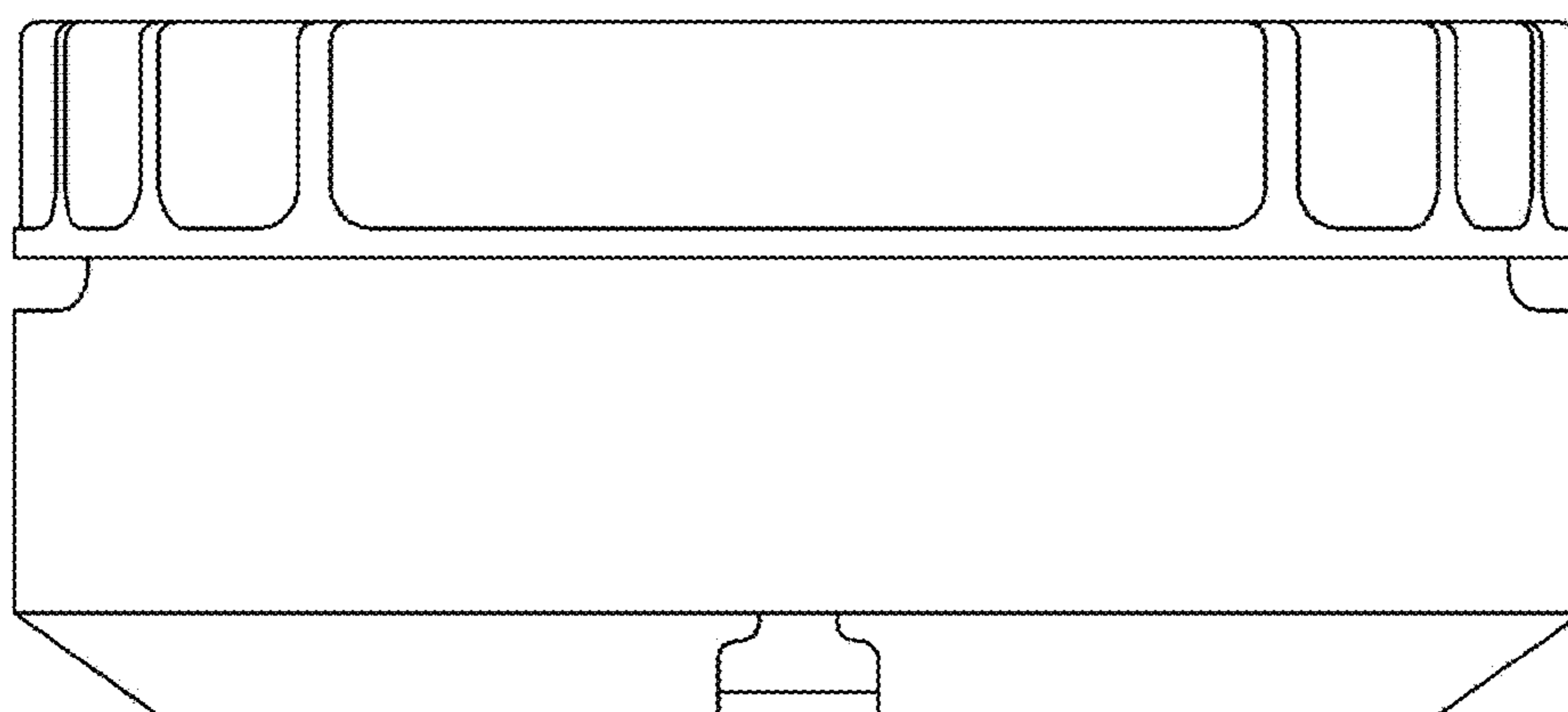


FIG. 3

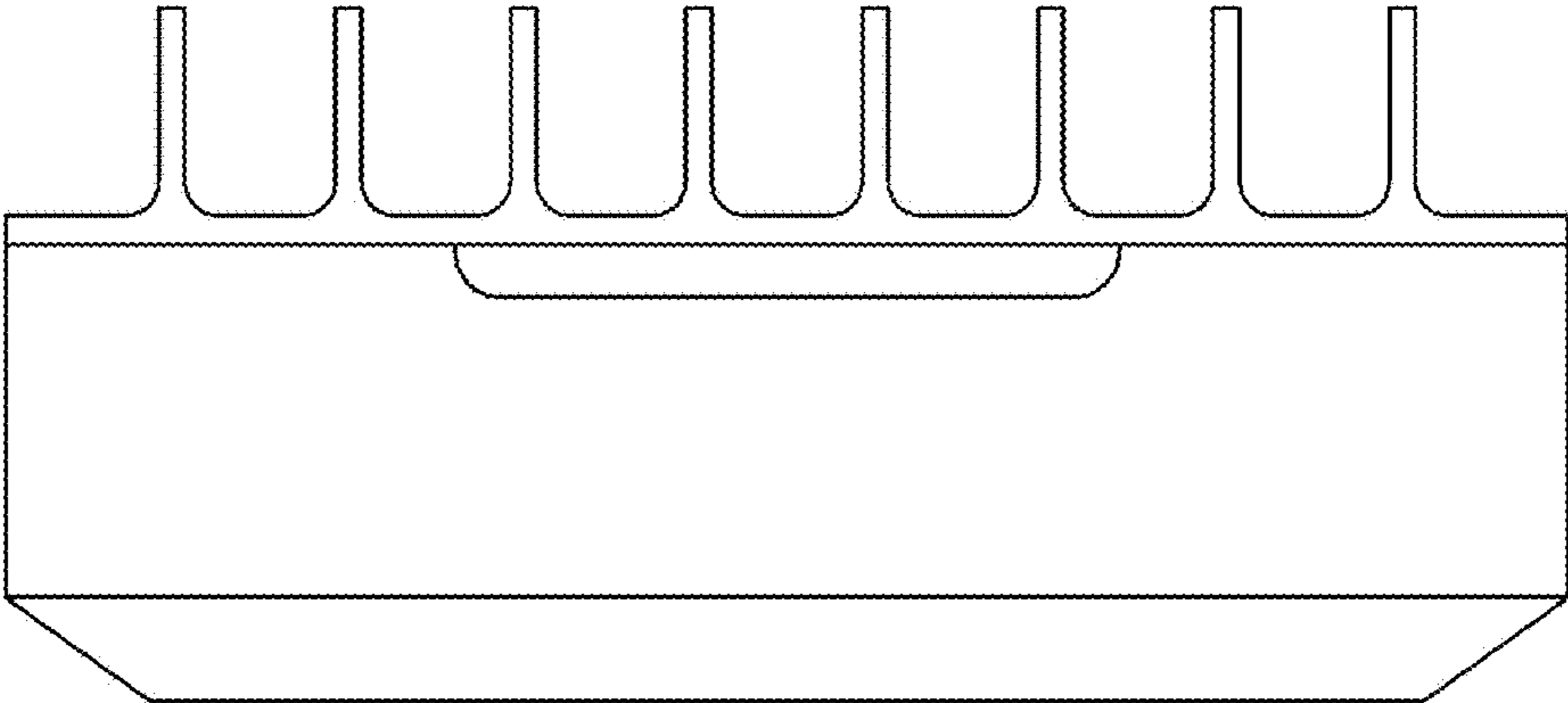


FIG. 4

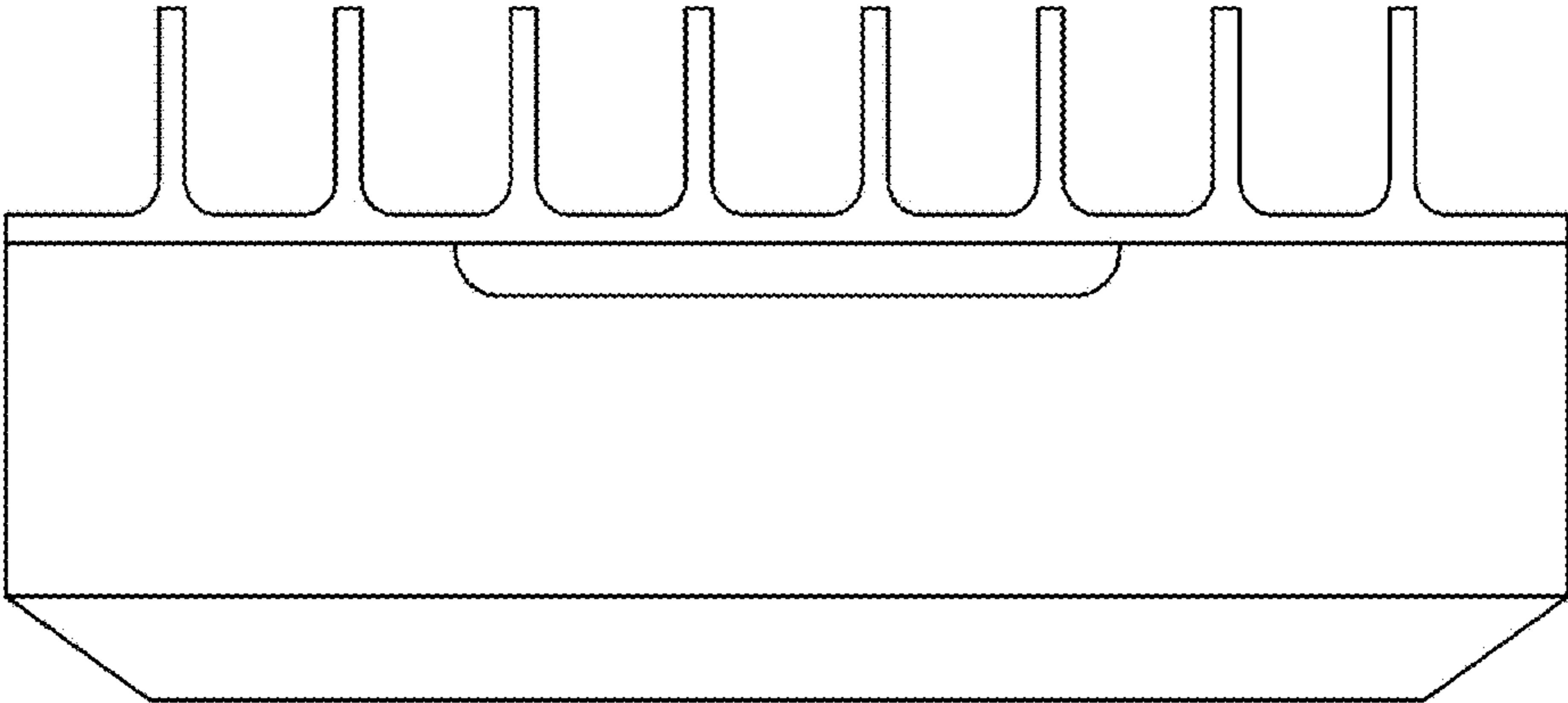


FIG. 5

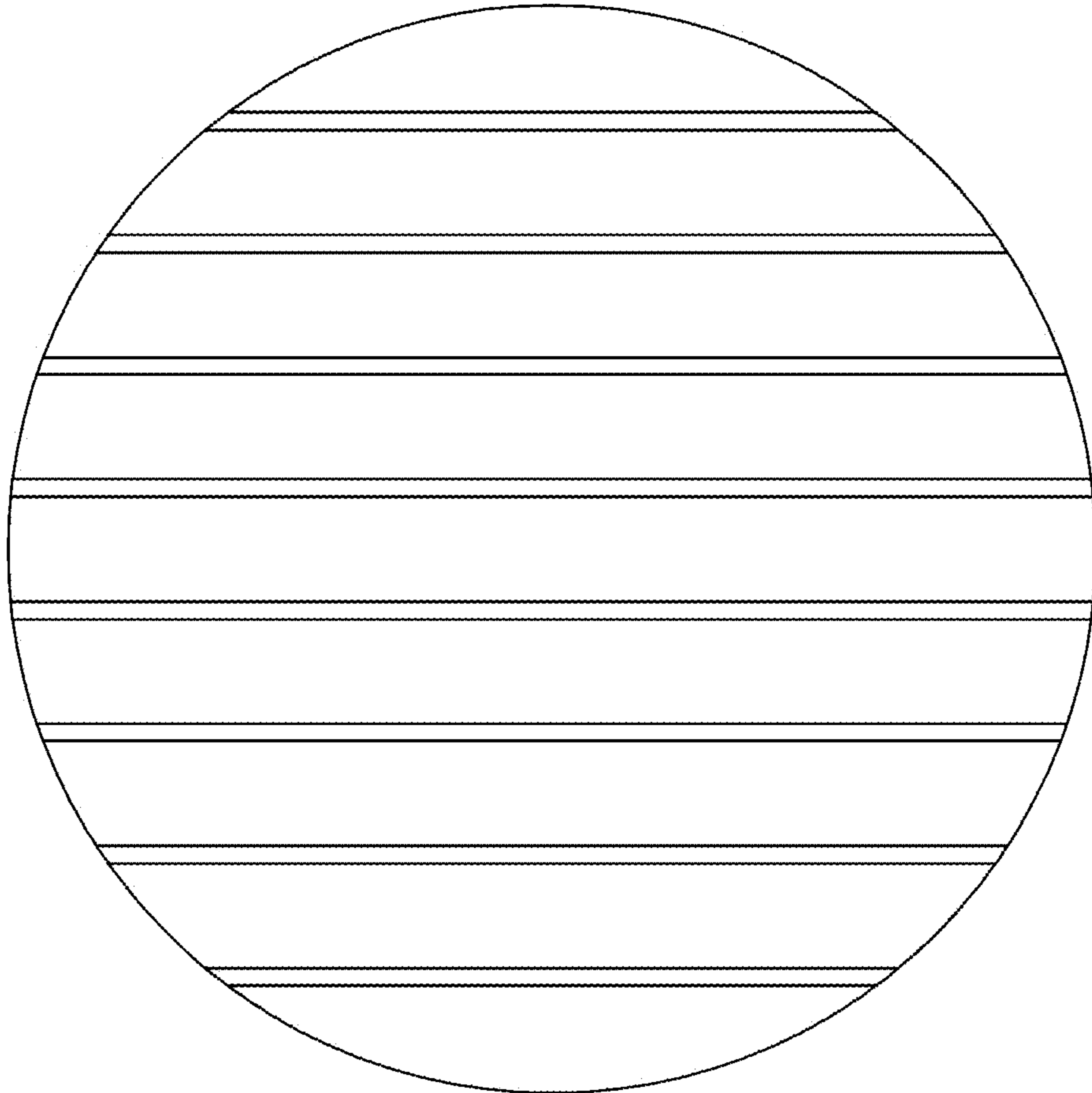


FIG. 6

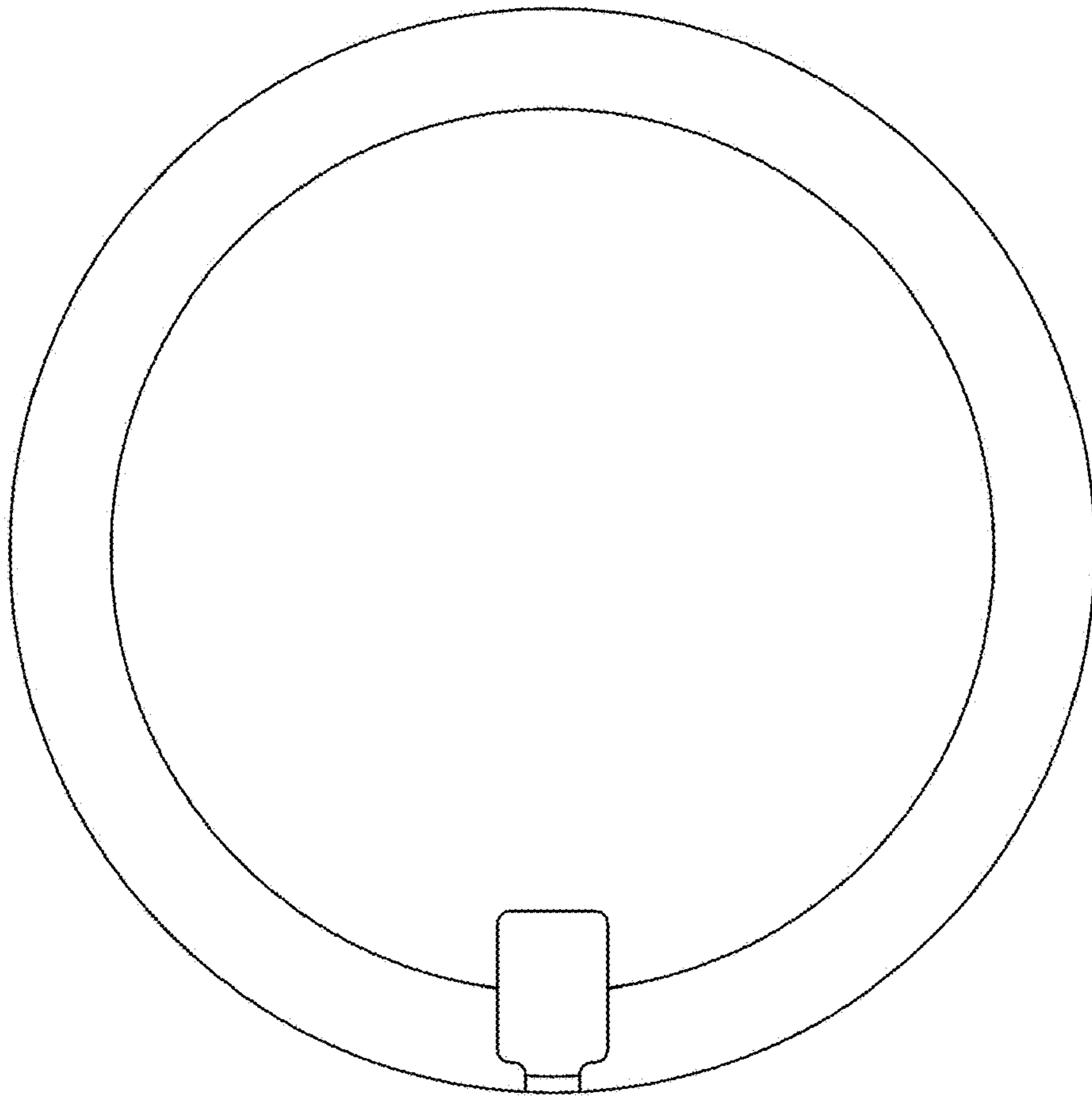


FIG. 7

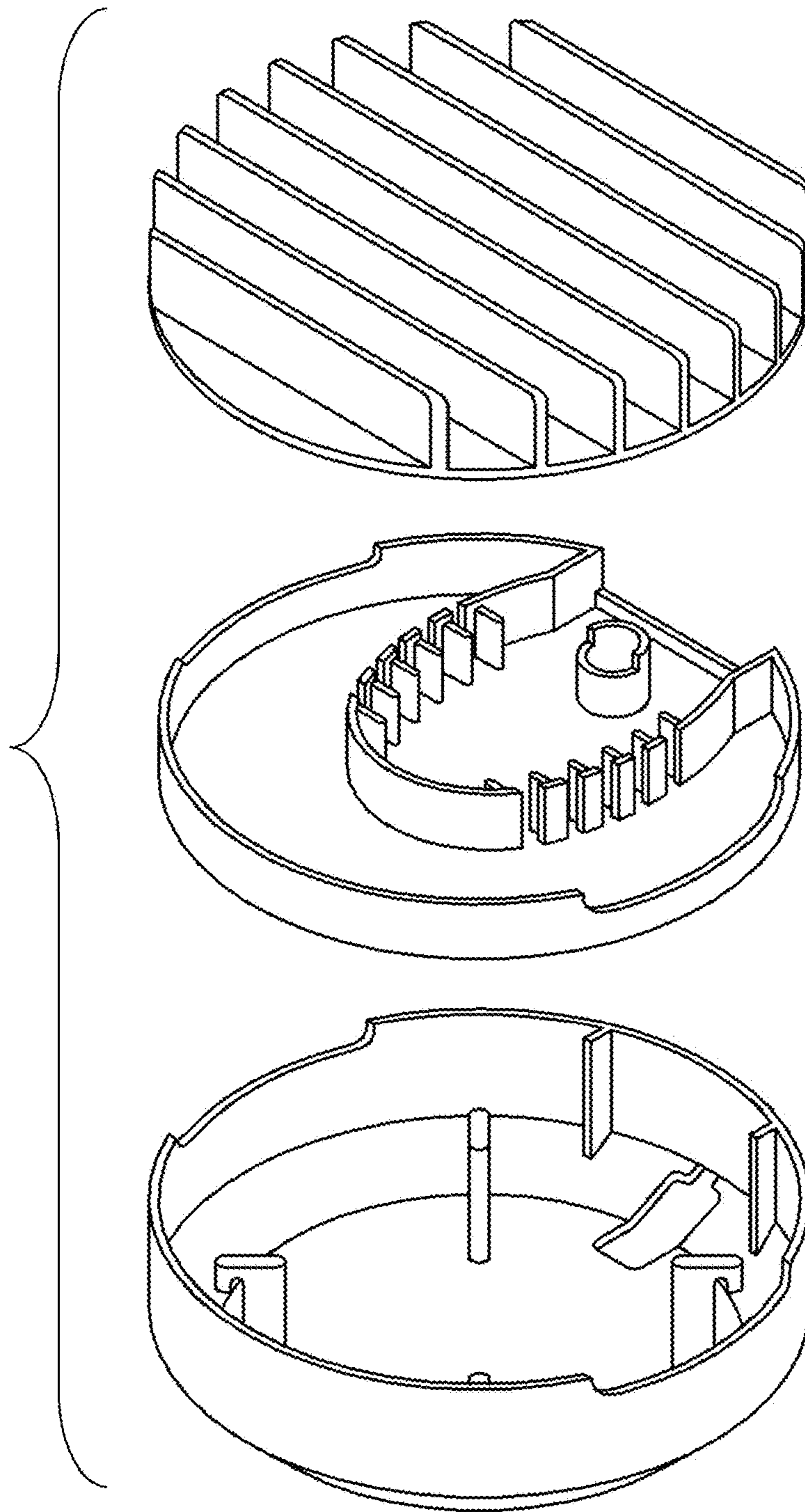


FIG. 8

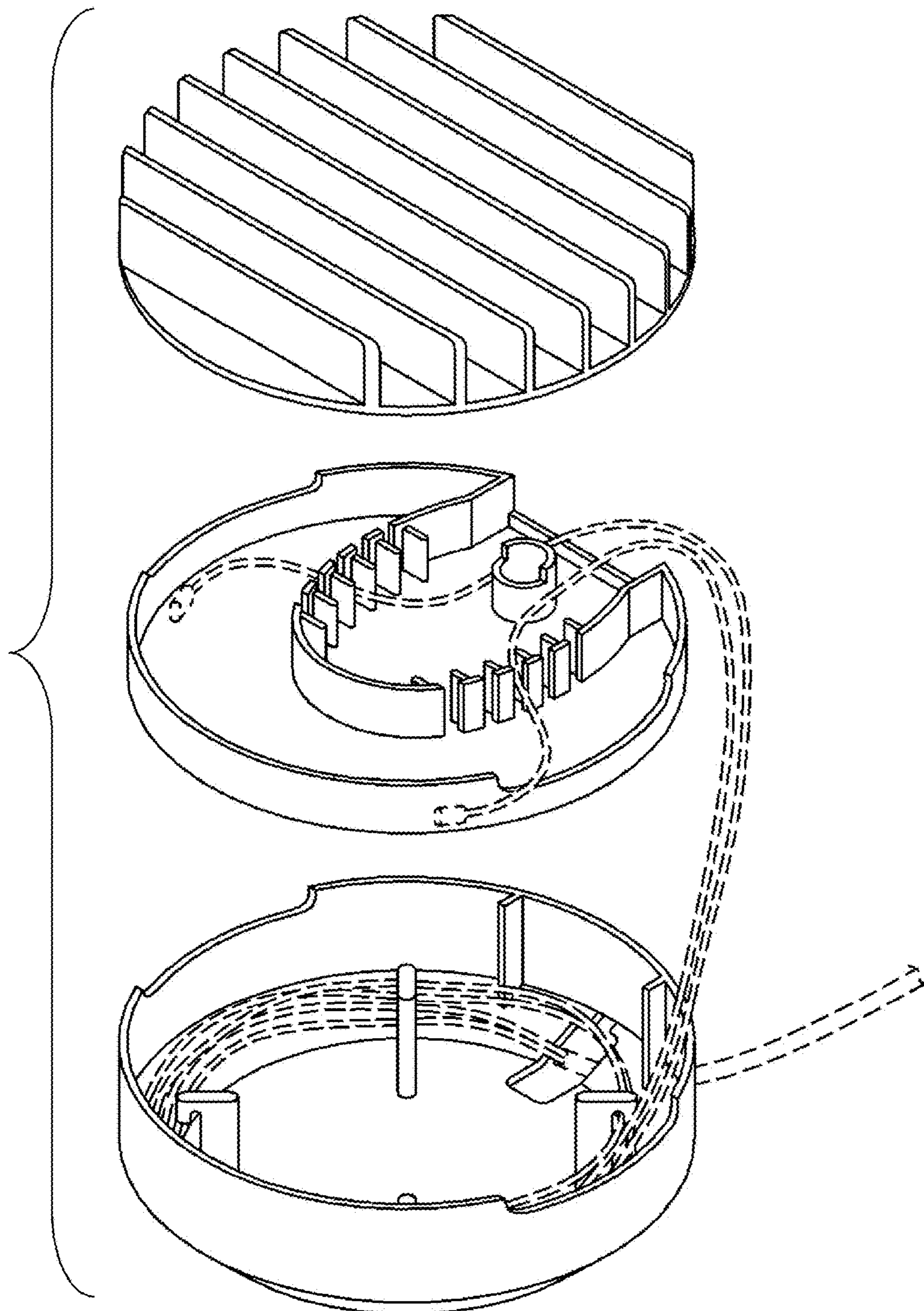


FIG. 9



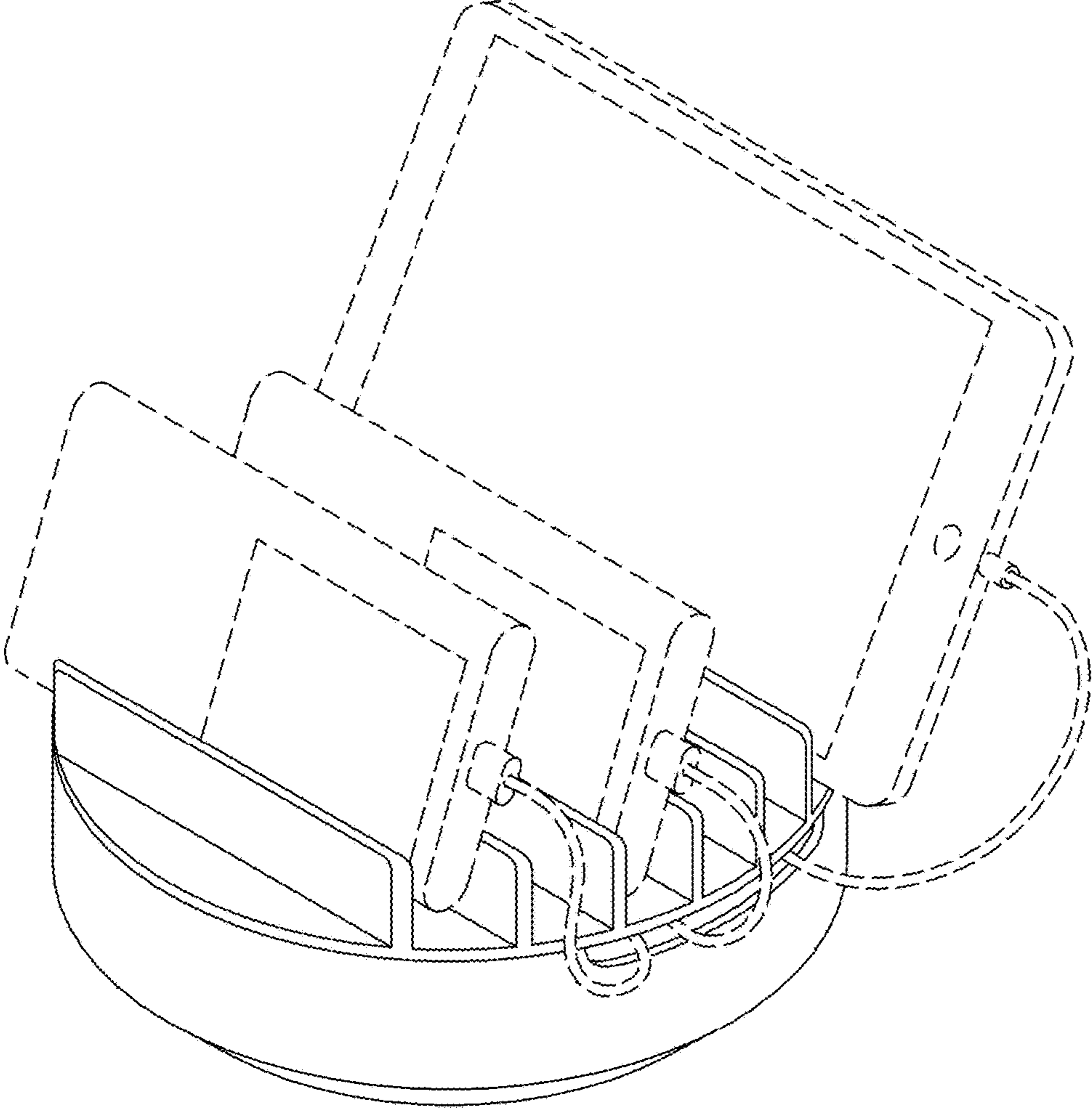


FIG. 10