



US00D866478S

(12) **United States Design Patent**
Hoshikawa

(10) **Patent No.:** **US D866,478 S**

(45) **Date of Patent:** **** Nov. 12, 2019**

(54) **CABLE HOLDER**

(71) Applicant: **Trinity, Inc.**, Saitama (JP)

(72) Inventor: **Tetsushi Hoshikawa**, Saitama (JP)

(73) Assignee: **Trinity, Inc.**, Saitama (JP)

(**) Term: **15 Years**

(21) Appl. No.: **29/619,870**

(22) Filed: **Oct. 3, 2017**

(30) **Foreign Application Priority Data**

Apr. 3, 2017 (JP) 2017-007090

(51) **LOC (12) Cl.** **13-03**

(52) **U.S. Cl.**
USPC **D13/155; D8/356**

(58) **Field of Classification Search**
USPC D13/149, 154, 155, 120, 133, 153, 156;
D8/356; D14/205, 223, 224; D3/218
CPC H01R 13/6582; H01R 13/6585; H01R
13/405; H01R 13/504; H01R 13/514;
H01R 13/518; H01R 13/6591; H01R
24/60; H01R 24/62; H01R 43/24; H01R
2107/00; H01R 27/02; H01R 31/02;
H01R 43/26; H01R 13/6625; H01R
13/6666; H01R 13/70; H01R 13/7175;
B29C 45/00; B66C 1/36; B63B 21/045;
A44B 13/0029; F16L 3/223; F16L 3/00;
F16L 3/22; H02G 3/32; H02G 9/025
See application file for complete search history.

(56) **References Cited**

U.S. PATENT DOCUMENTS

D564,342 S * 3/2008 Gassew D8/356
D593,502 S * 6/2009 Sweeney D13/155

D593,957 S * 6/2009 Sweeney D13/155
D597,963 S * 8/2009 Mulch D13/155
D606,025 S * 12/2009 Cheng D13/155
D701,840 S * 4/2014 Kazakia D13/155
D718,611 S * 12/2014 Kung D8/356
D719,013 S * 12/2014 St. John D8/356
D724,935 S * 3/2015 Warner D8/356
D730,160 S * 5/2015 Rothbaum D8/356
D763,666 S * 8/2016 Wengreen D8/356
D840,789 S * 2/2019 Chen D8/356
D847,611 S * 5/2019 Altamura D8/356

* cited by examiner

Primary Examiner — Bridget L Eland

(74) *Attorney, Agent, or Firm* — JCIPRNET

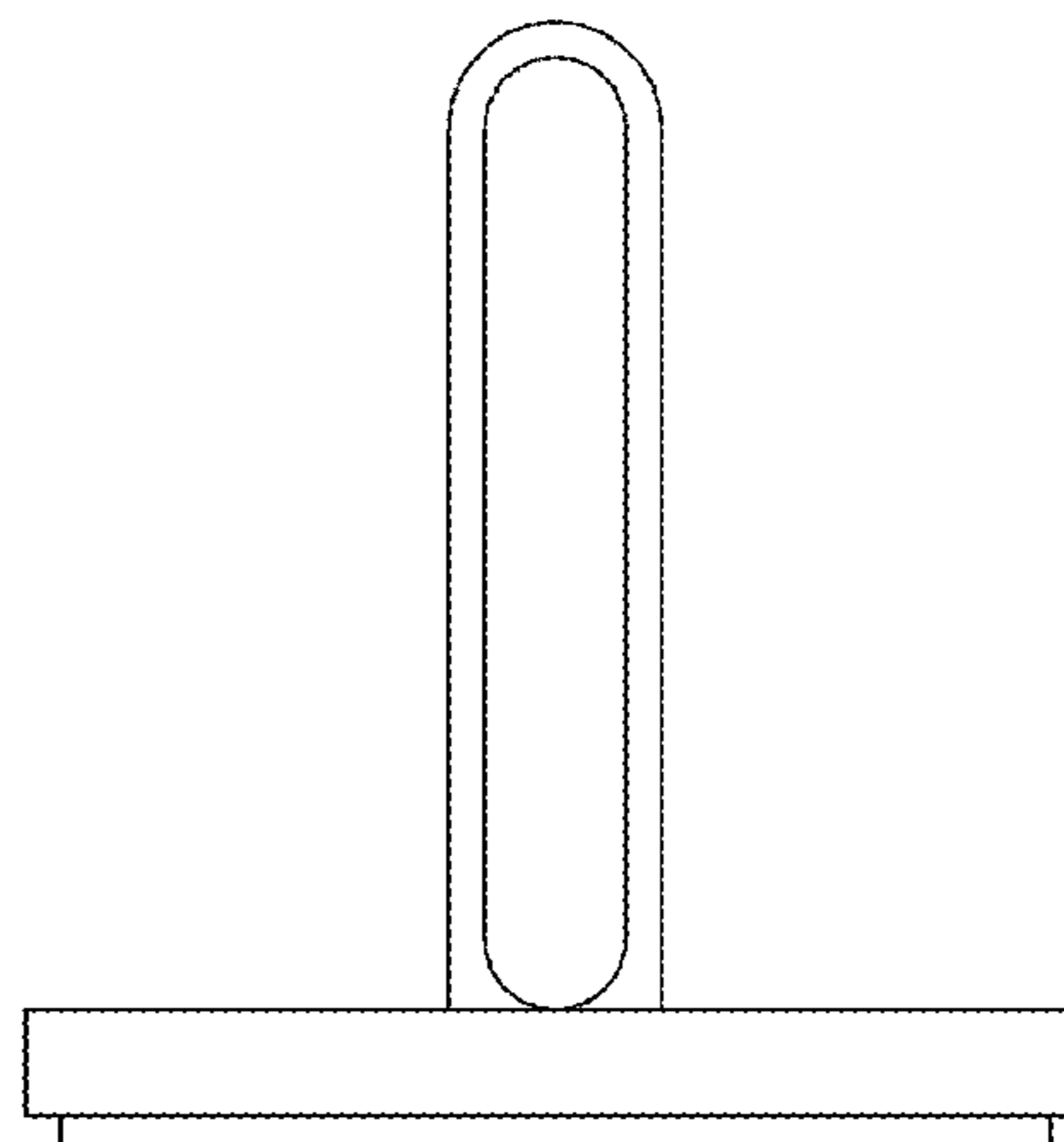
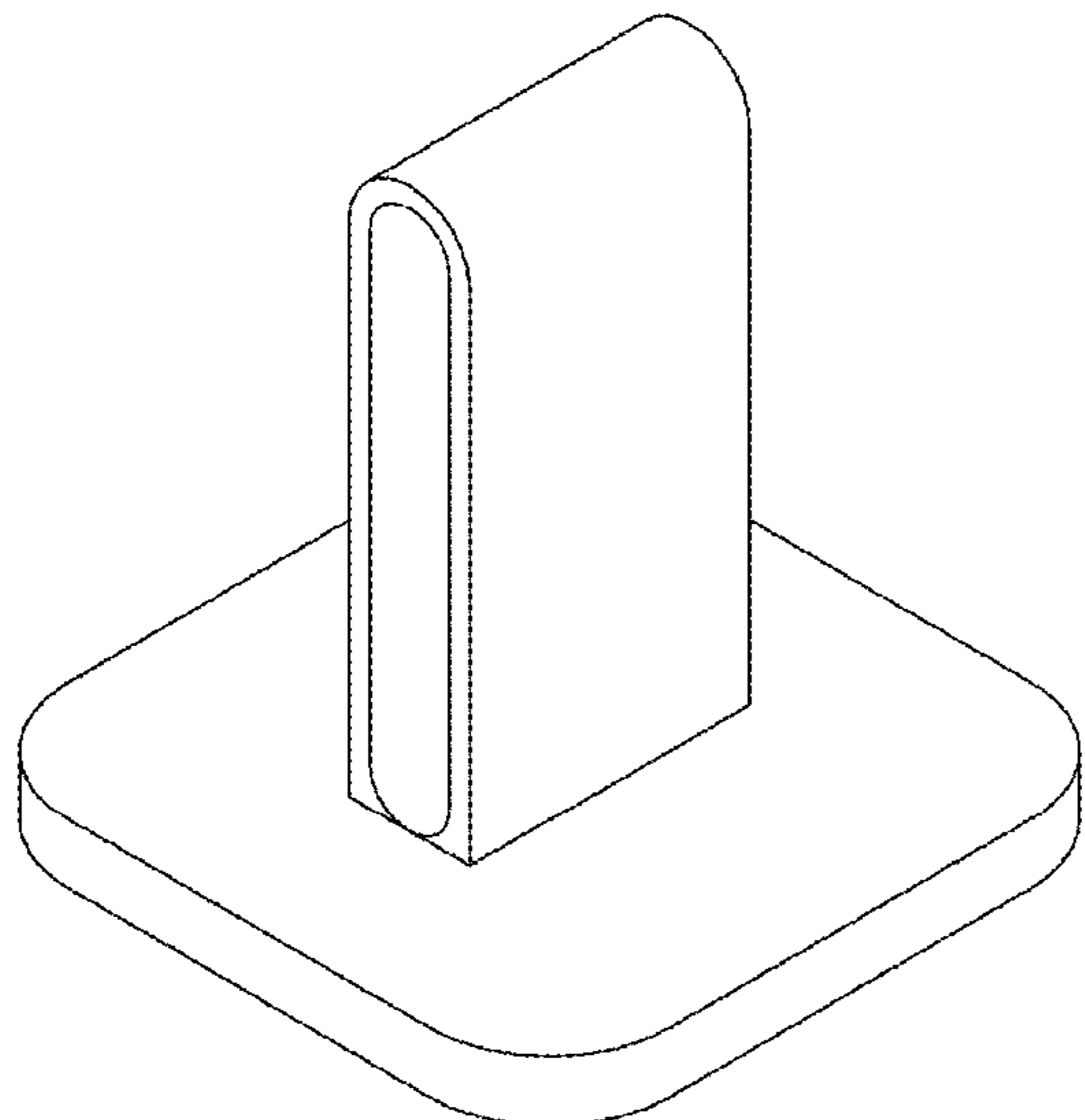
(57) **CLAIM**

The ornamental design for a cable holder, as shown and described.

DESCRIPTION

FIG. 1 is a perspective view of a cable holder showing my new design;
FIG. 2 is a front view thereof, the rear view being an identical image;
FIG. 3 is a right side view thereof, the left view being an identical image;
FIG. 4 is a top view thereof;
FIG. 5 is a bottom view thereof;
FIG. 6 is a perspective view thereof, shown in a state of use with environment; and,
FIG. 7 is another perspective view thereof, shown in a state of use with environment.
The broken lines immediately adjacent to the full line showing of the claimed design represent the bounds of the claimed design while all other broken lines are directed to environment and are for illustrative purposes only; the broken lines form no part of the claimed design.

1 Claim, 7 Drawing Sheets



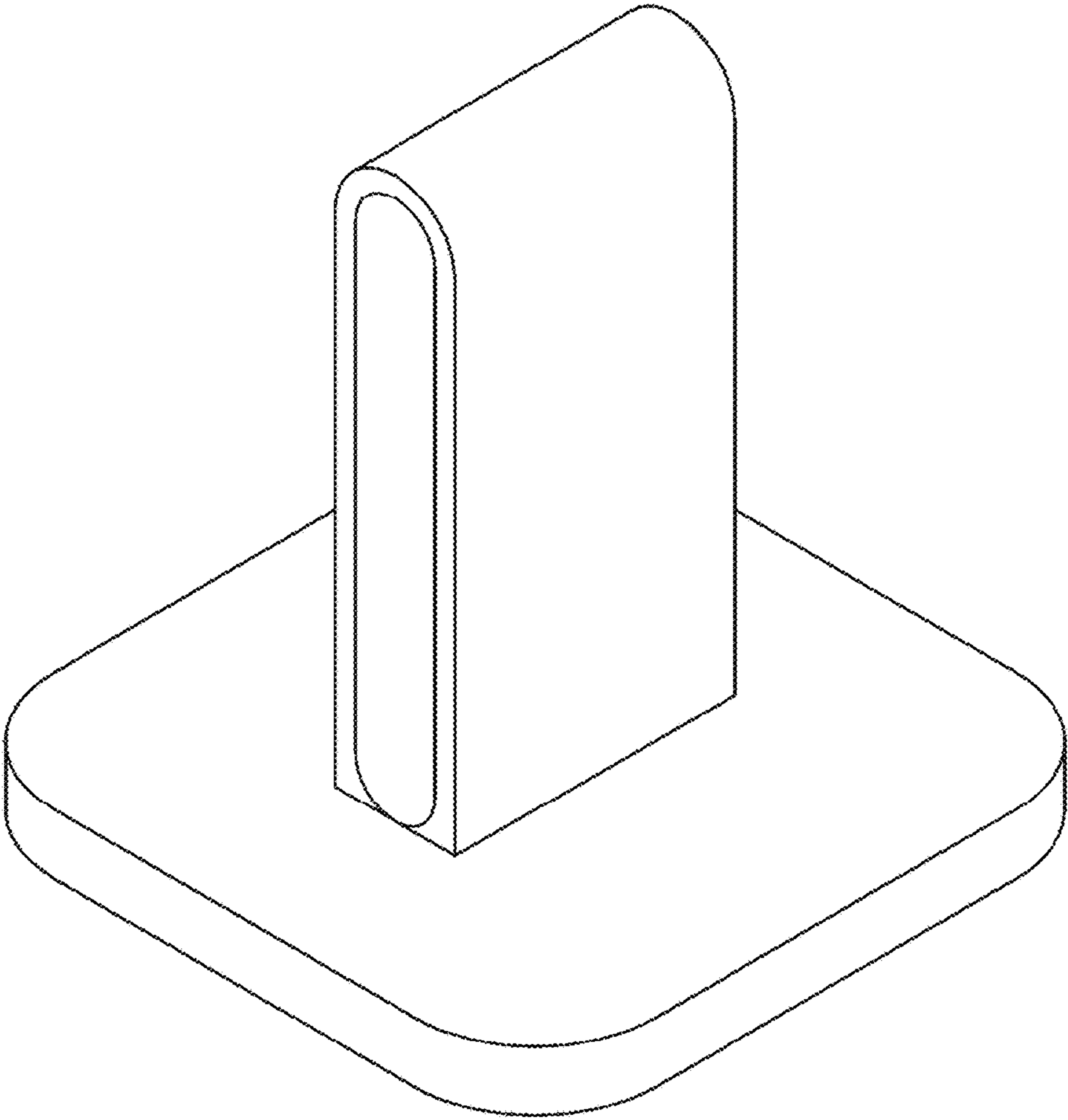


FIG. 1

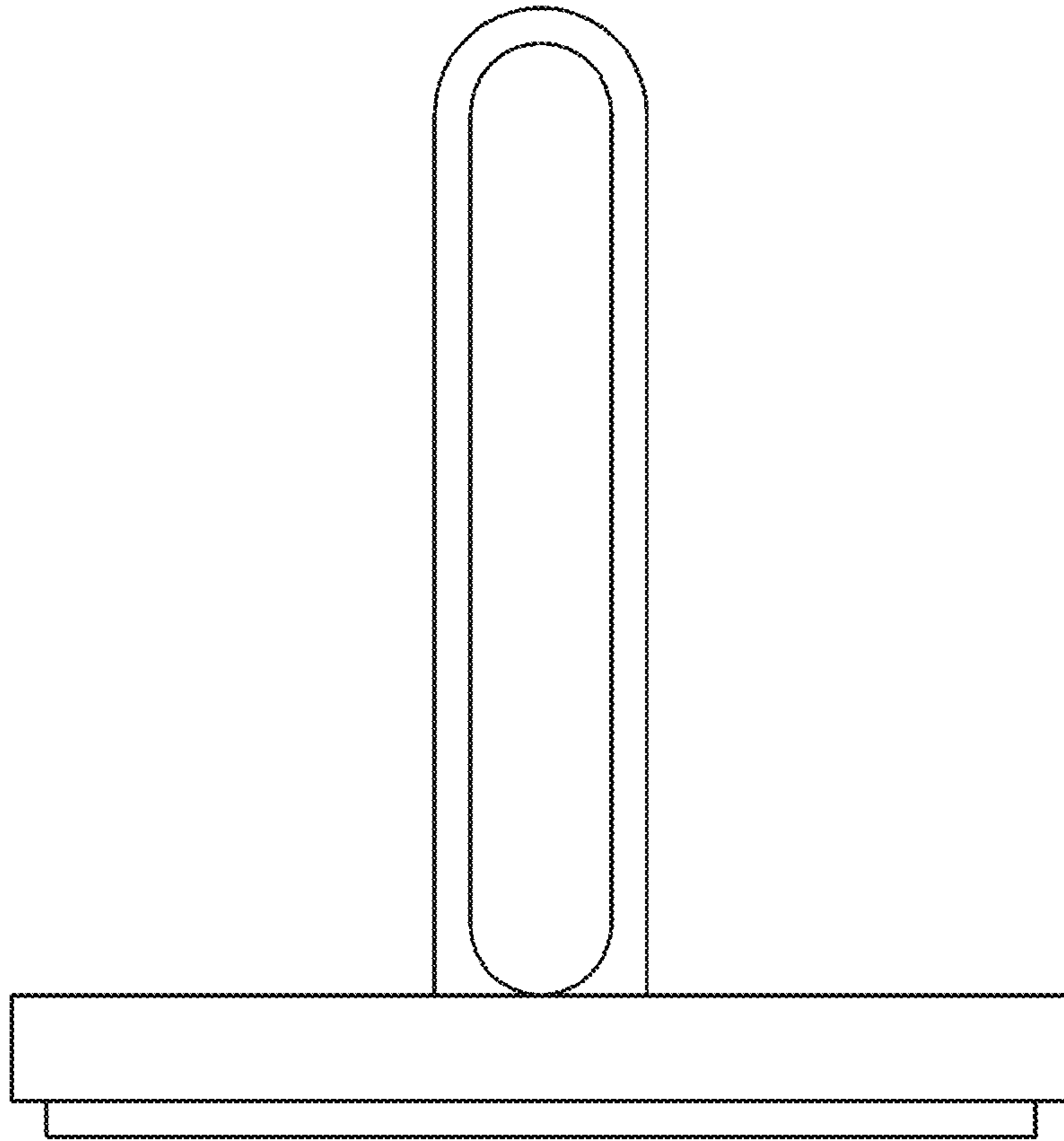


FIG. 2

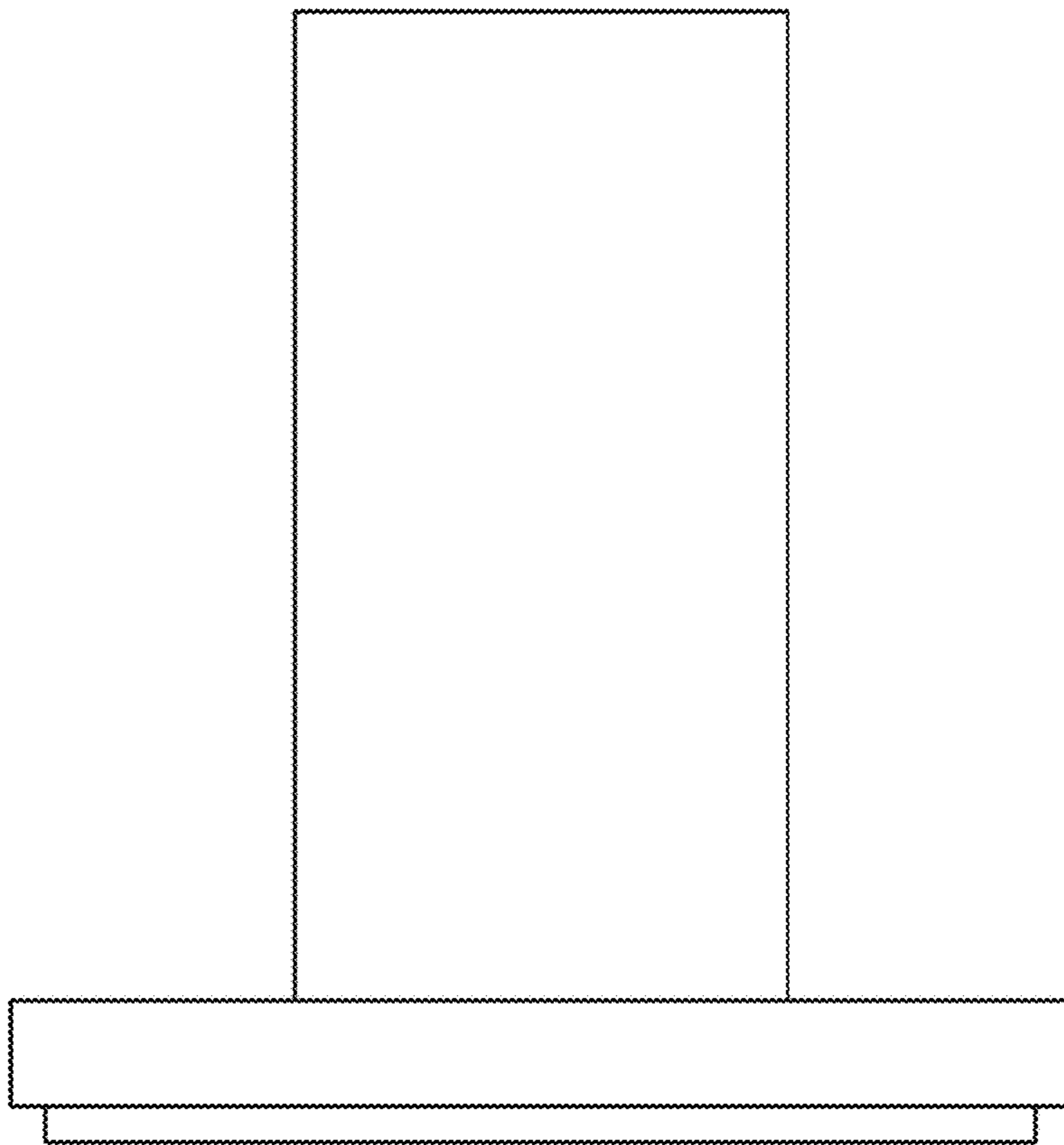


FIG. 3

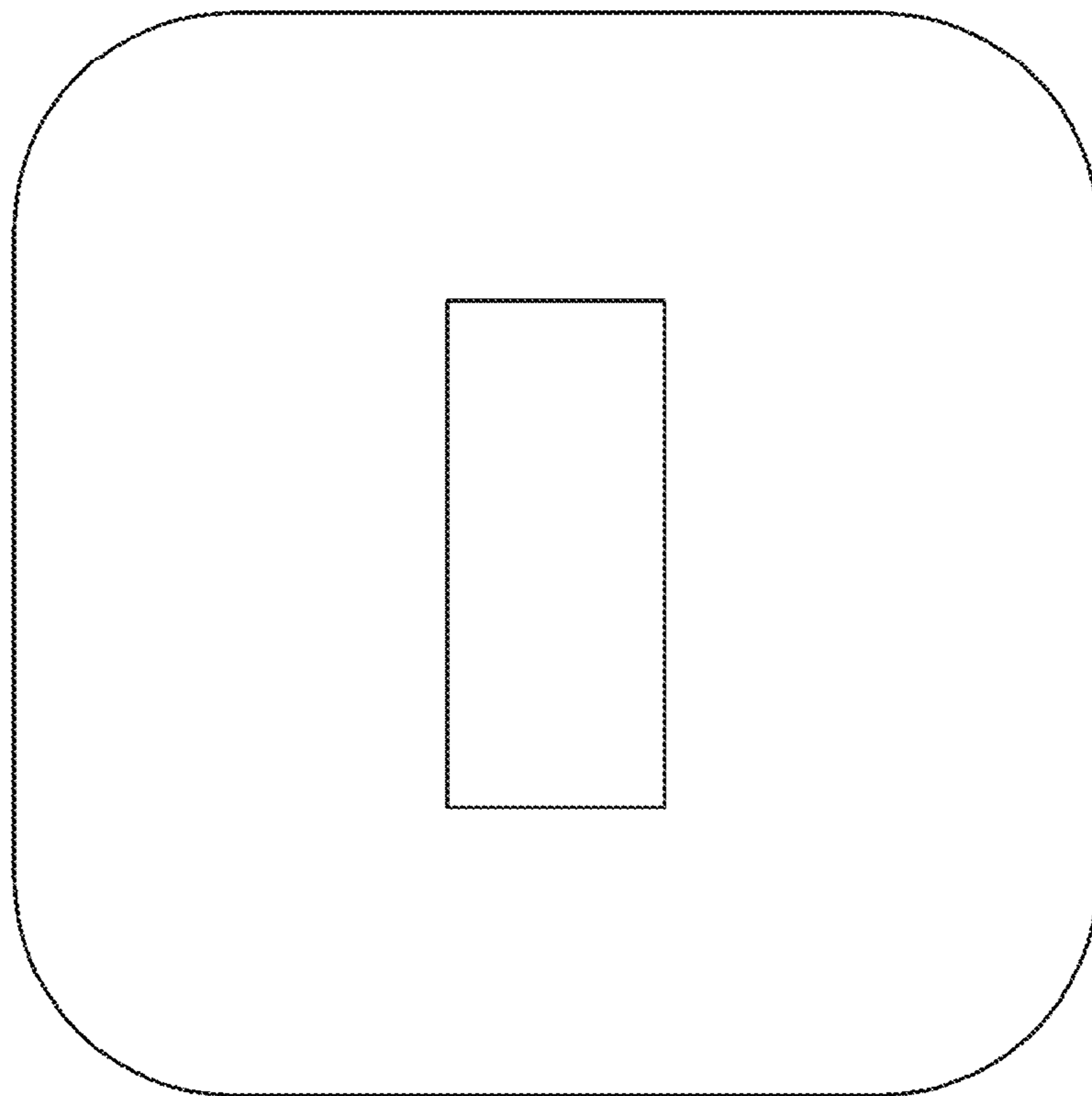


FIG. 4

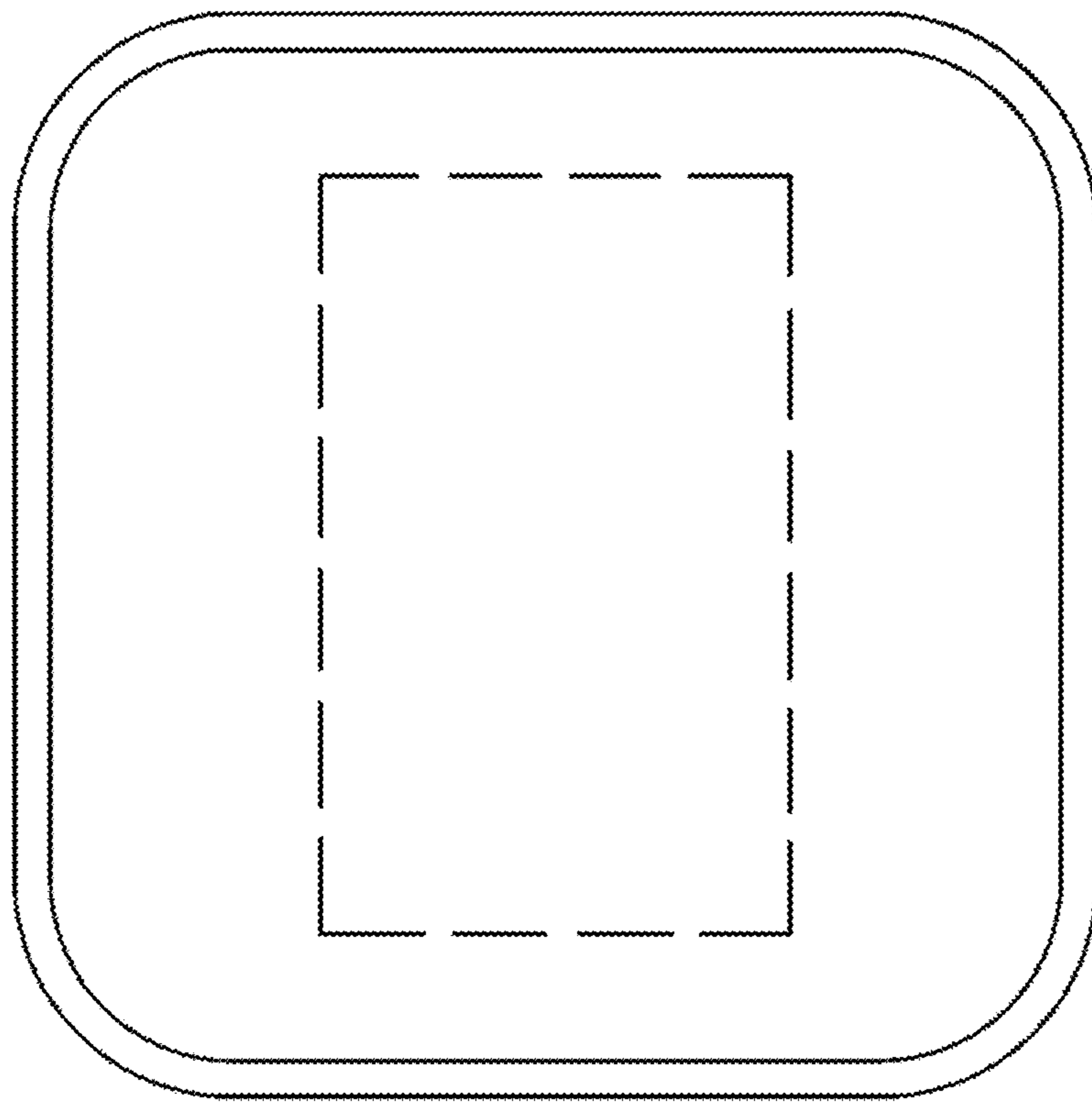


FIG. 5

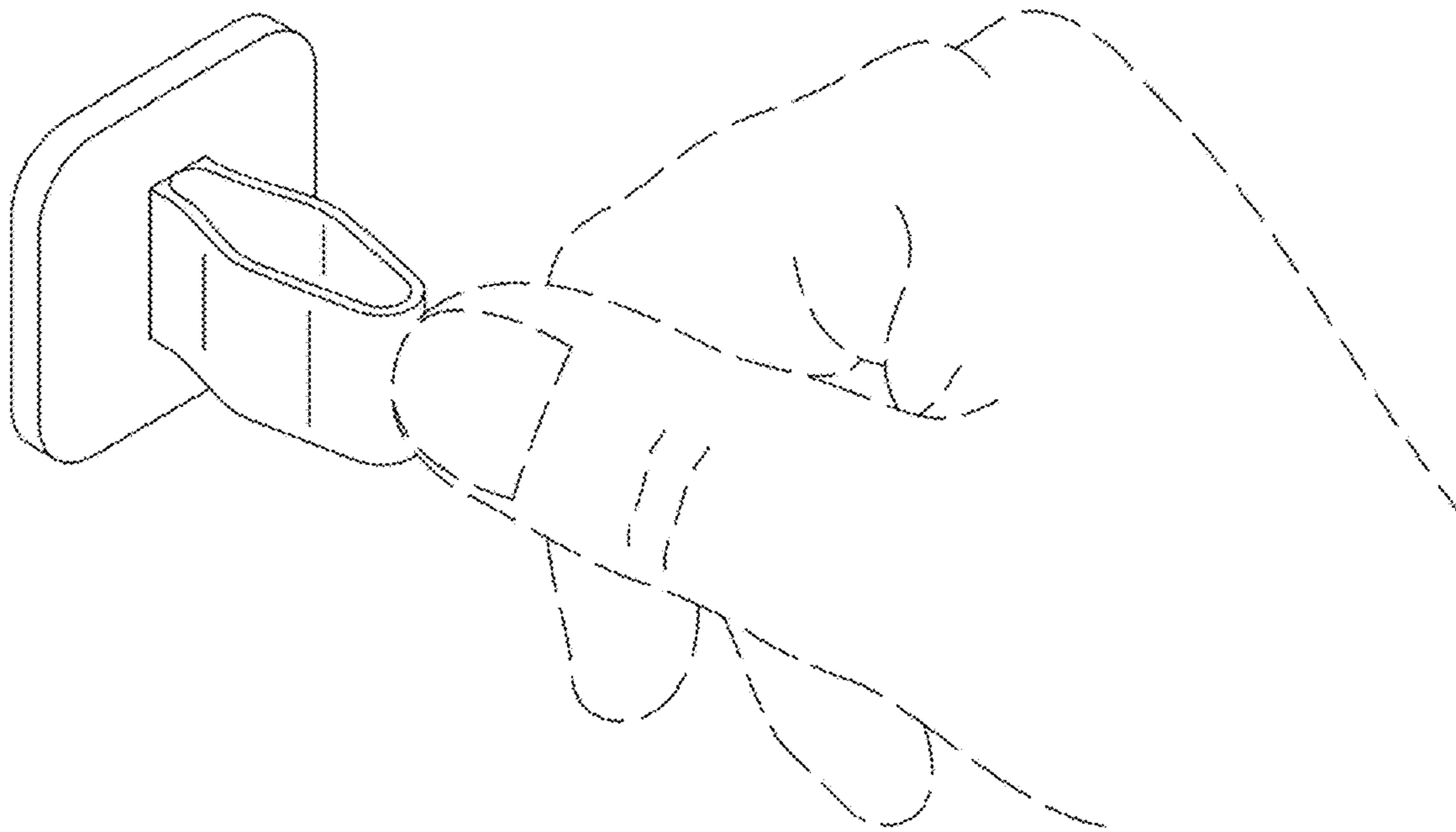


FIG. 6

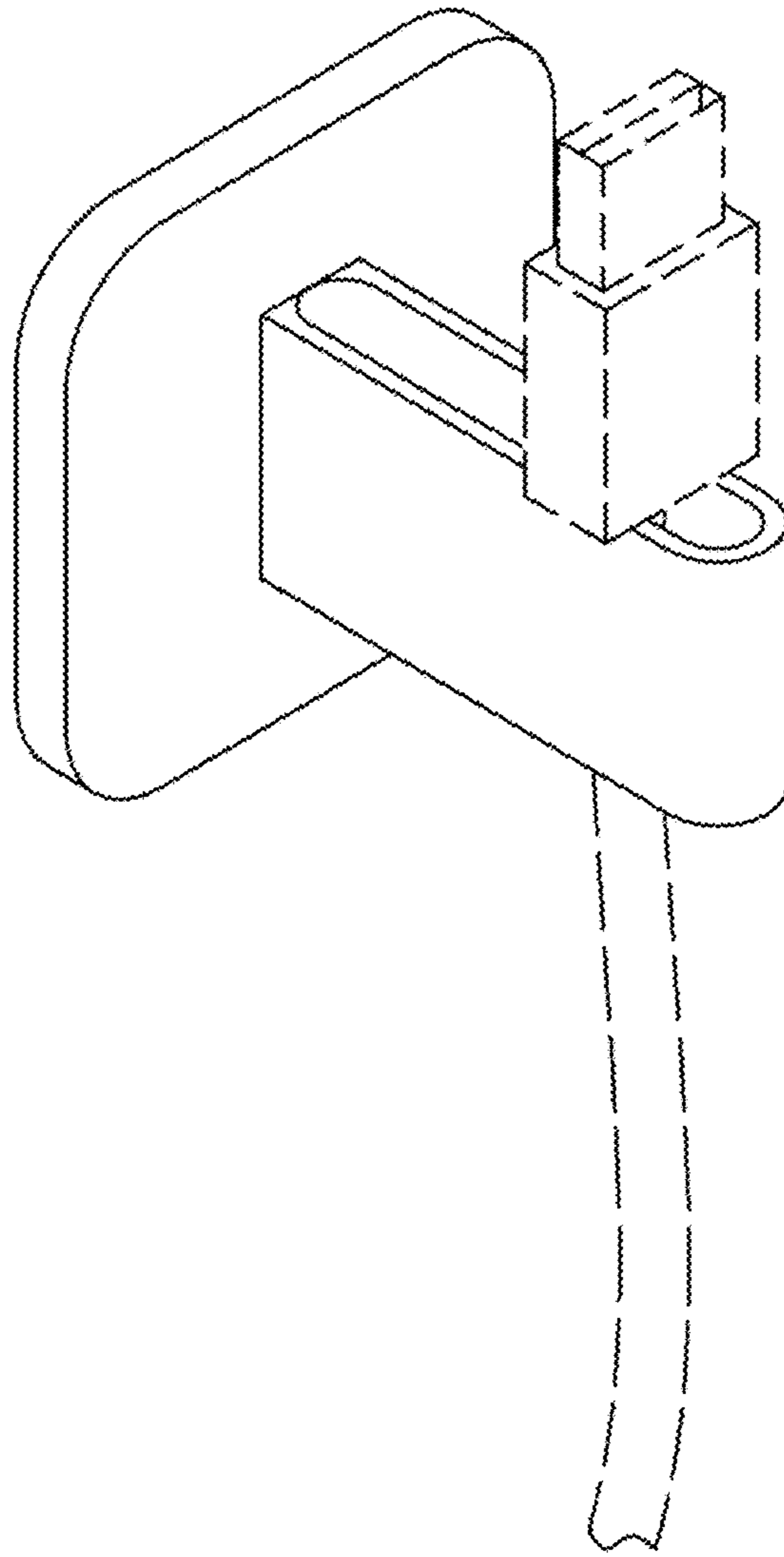


FIG. 7