



US00D866476S

(12) **United States Design Patent**  
**Shen et al.**

(10) **Patent No.:** **US D866,476 S**

(45) **Date of Patent:** **\*\* Nov. 12, 2019**

(54) **WATERPROOF CONNECTOR**

(71) Applicant: **YFC-BONEAGLE Electric Co., Ltd.**,  
Taoyuan (TW)

(72) Inventors: **Sheng-Cheng Shen**, Taoyuan (TW);  
**Qing Chen**, Taoyuan (TW); **Wei Tian**,  
Taoyuan (TW)

(73) Assignee: **YFC-BONEAGLE ELECTRIC CO.,  
LTD.**, Toayuan (TW)

(\*\*) Term: **15 Years**

(21) Appl. No.: **29/667,030**

(22) Filed: **Oct. 18, 2018**

(51) **LOC (12) Cl.** ..... **13-03**

(52) **U.S. Cl.**  
USPC ..... **D13/146**

(58) **Field of Classification Search**  
USPC ..... D13/110, 112, 118, 123, 133, 146-149,  
D13/154-156, 173, 184, 199  
CPC ..... H01R 4/48; H01R 13/52; H01R 13/53;  
H01R 13/58; H01R 13/652; H01R 13/68;  
H01R 31/00; H01R 31/02  
See application file for complete search history.

(56) **References Cited**

**U.S. PATENT DOCUMENTS**

D49,682 S \* 9/1916 Abbott ..... D13/155  
D52,955 S \* 2/1919 Hubbard et al. .... D13/155  
D52,956 S \* 2/1919 Hubbard et al. .... D13/155  
1,703,953 A \* 3/1929 Propp ..... H01R 31/02  
439/652  
1,760,921 A \* 6/1930 Strongson ..... H01R 31/02  
439/652  
4,571,018 A \* 2/1986 Annot ..... H01R 13/5205  
439/275  
D441,435 S \* 5/2001 Patteson ..... D23/262

D606,387 S \* 12/2009 Werschmidt ..... D8/382  
D763,067 S \* 8/2016 Monsees ..... D8/382  
D805,165 S \* 12/2017 Dean ..... D23/262  
2006/0160388 A1 \* 7/2006 Hughes ..... H01R 13/53  
439/181  
2007/0141882 A1 \* 6/2007 Stepniak ..... H01R 13/53  
439/187  
2010/0167580 A1 \* 7/2010 Lee ..... H01R 13/506  
439/490

**OTHER PUBLICATIONS**

TTAF® Gontvana® T-Junction, Field Installable 3-Way Connector, dated Nov. 30, 2015, [online], [site visited Aug. 26, 2019]. Available from Internet, URL: <https://www.youtube.com/watch?v=ZXtiQvorViA> (Year: 2015).\*

\* cited by examiner

*Primary Examiner* — Angela J Lee

*Assistant Examiner* — Shawn T Gingrich

(74) *Attorney, Agent, or Firm* — Chun-Ming Shih; HDLS IPR Services

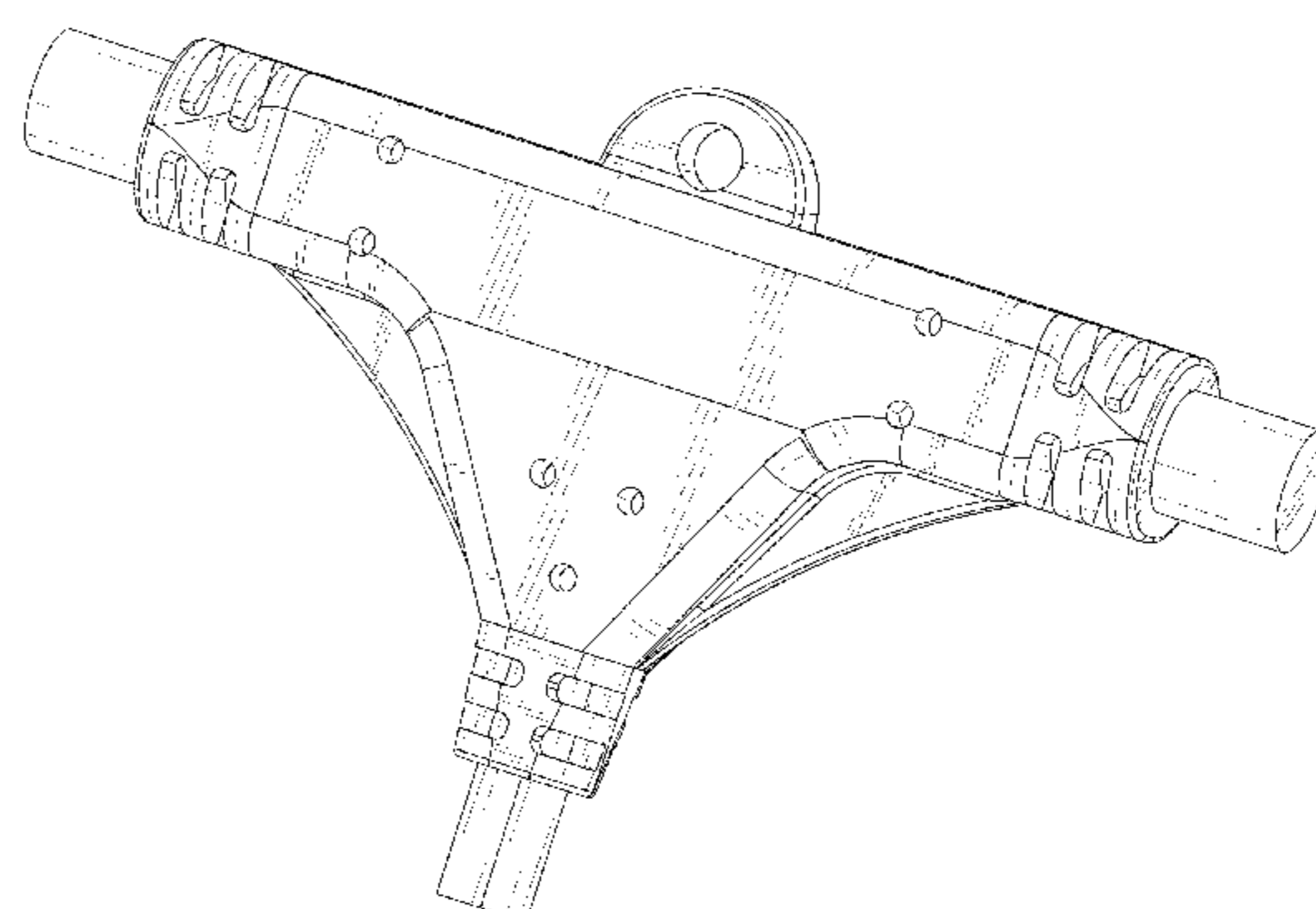
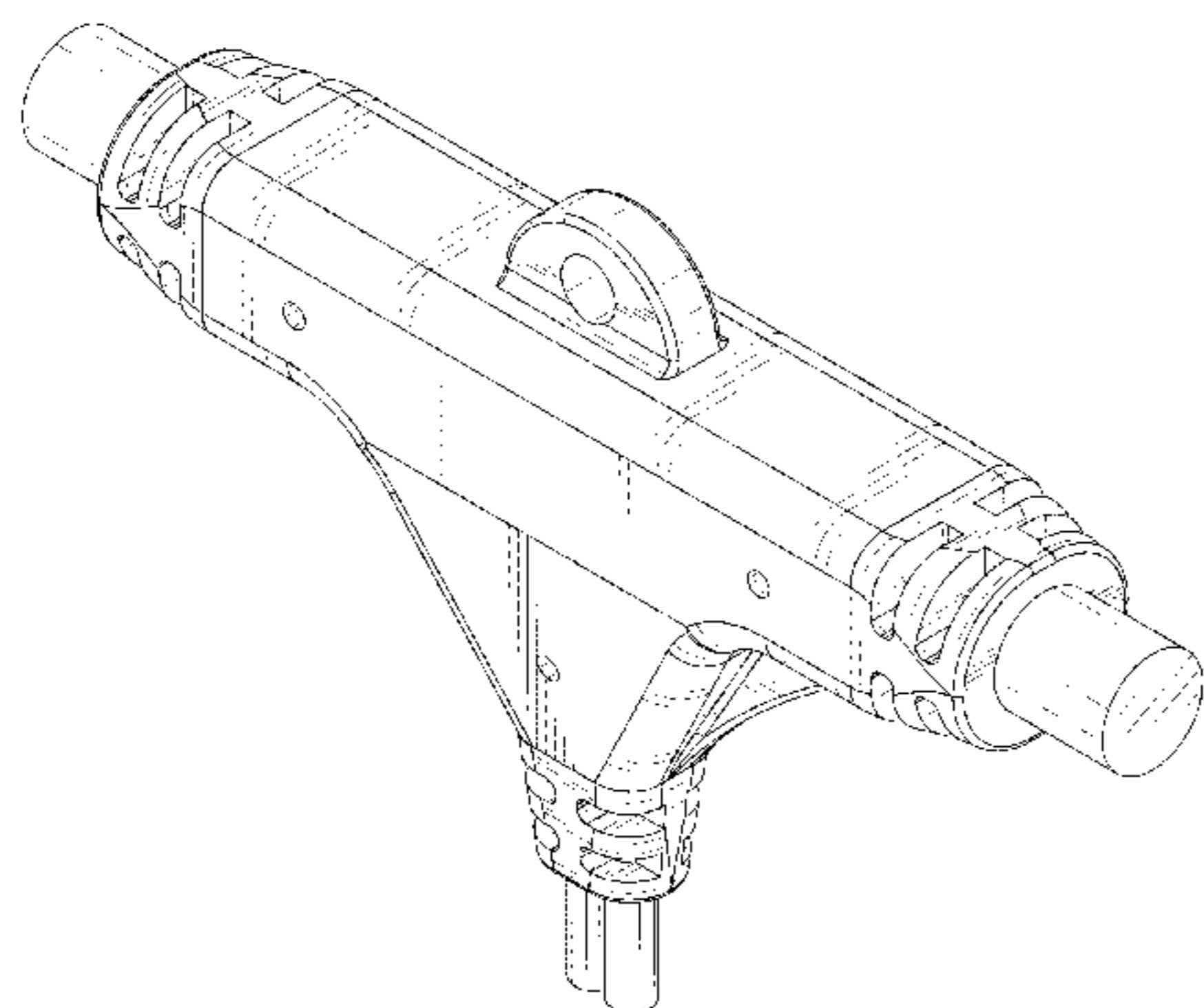
(57) **CLAIM**

The ornamental design for a waterproof connector, as shown and described.

**DESCRIPTION**

FIG. 1 is a perspective view of a waterproof connector showing our new design;  
FIG. 2 is a front view thereof;  
FIG. 3 is a rear view thereof;  
FIG. 4 is a left side view thereof;  
FIG. 5 is a right side view thereof;  
FIG. 6 is a top view thereof;  
FIG. 7 is a bottom view thereof; and,  
FIG. 8 is a second perspective view showing the waterproof connector.

**1 Claim, 8 Drawing Sheets**



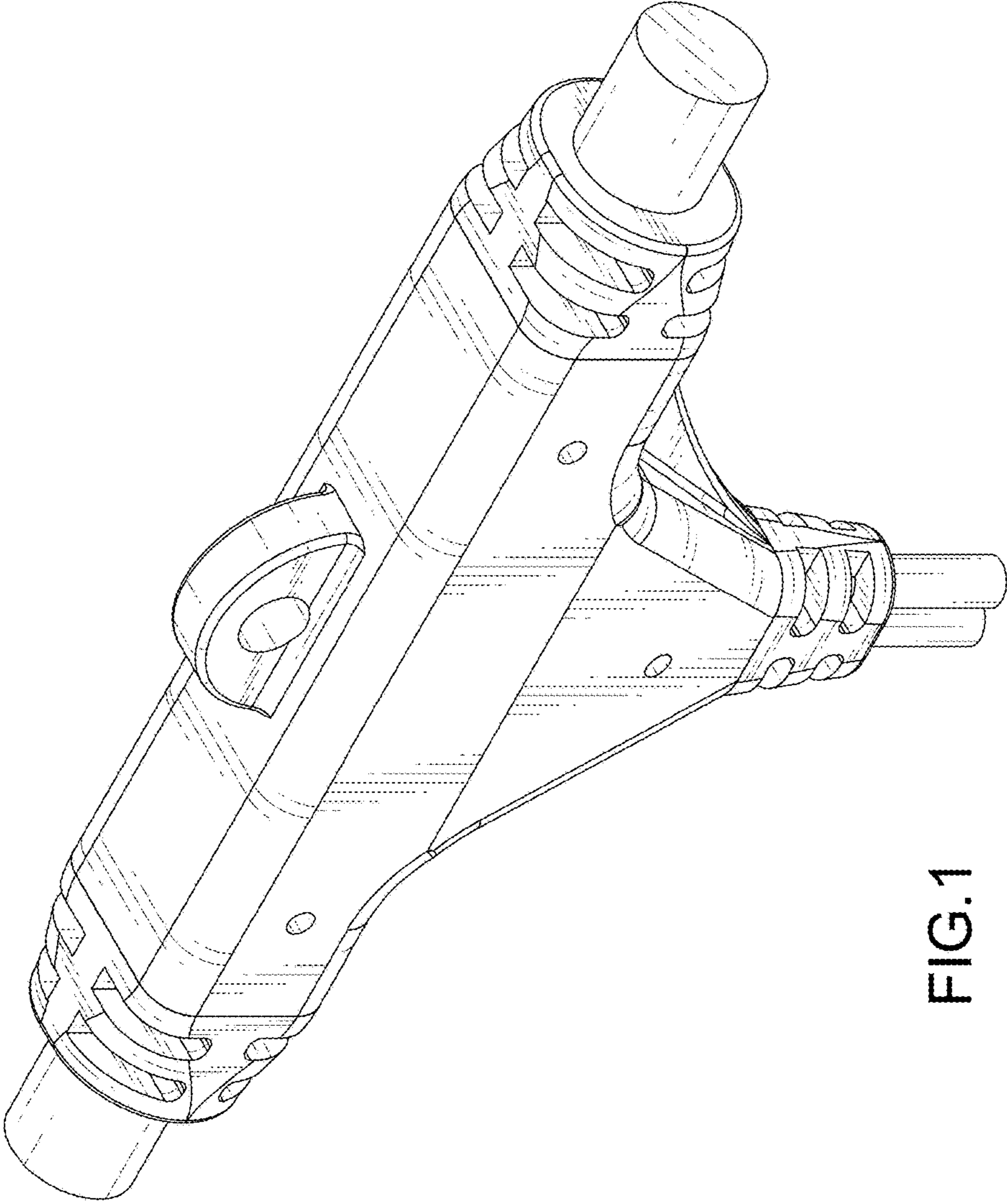


FIG.1

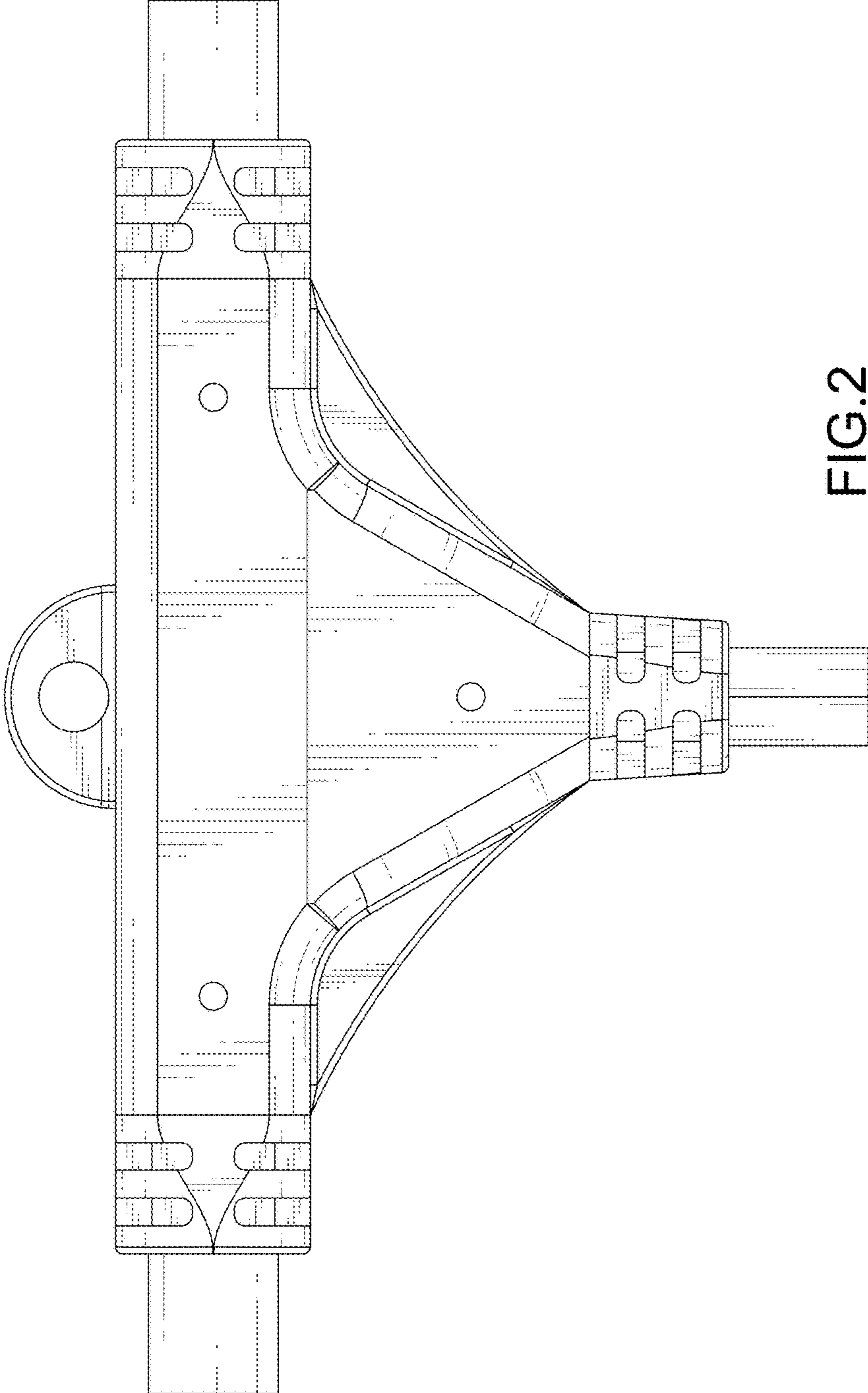


FIG.2

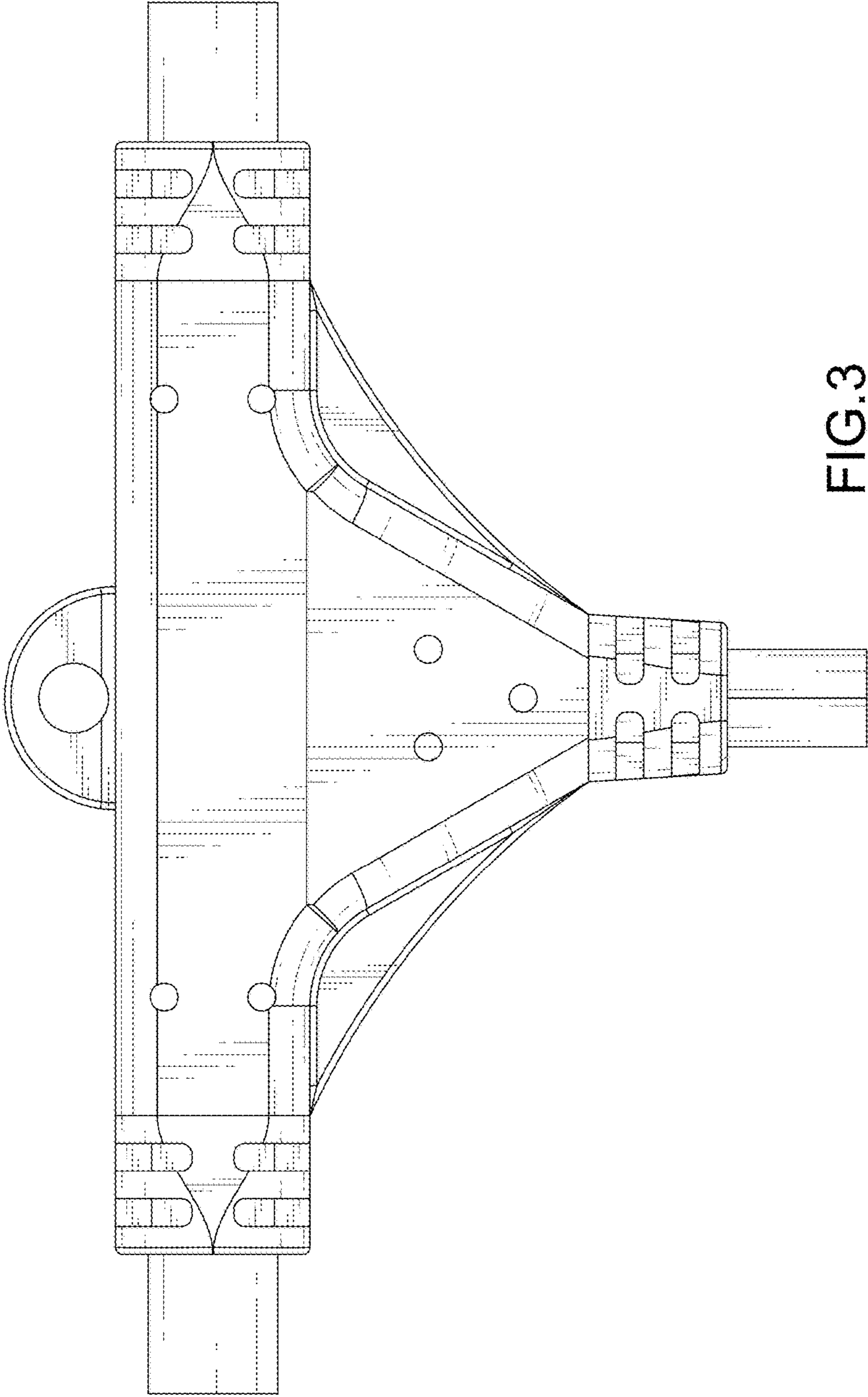


FIG.3

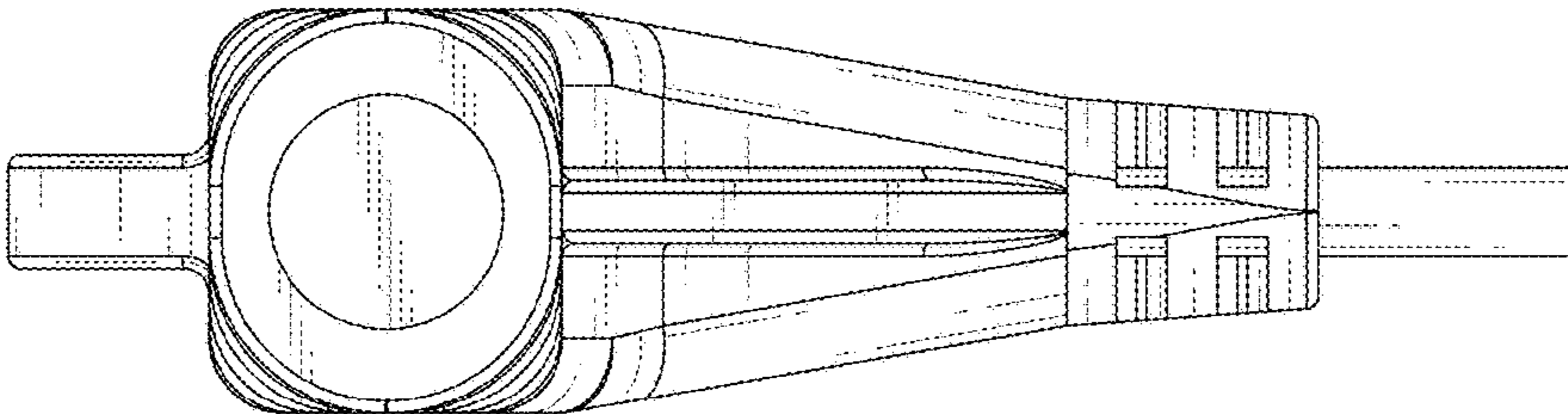


FIG.4

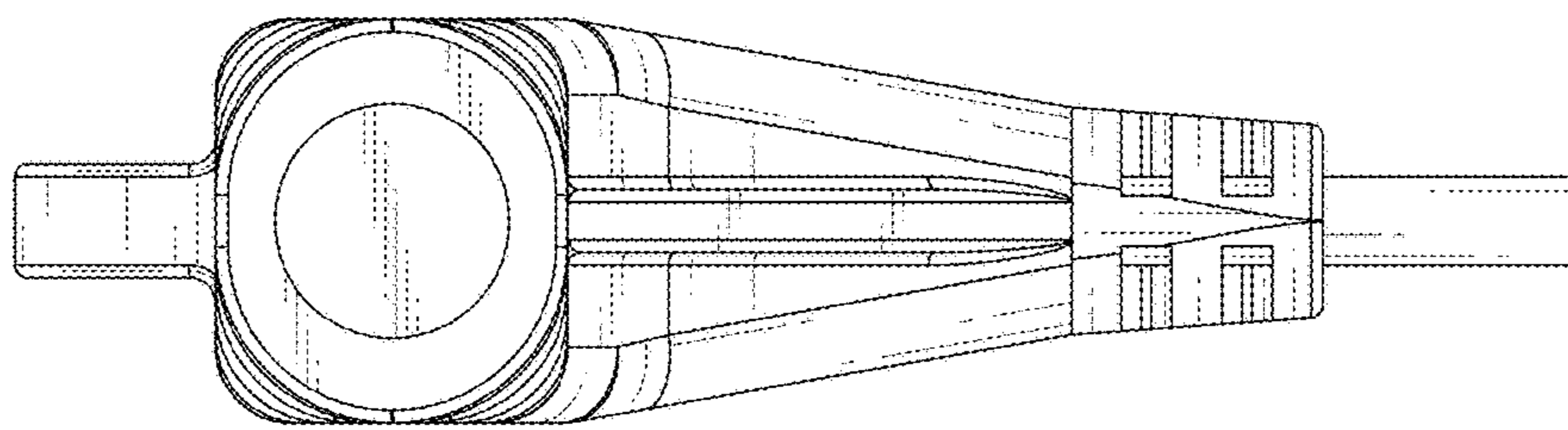


FIG.5

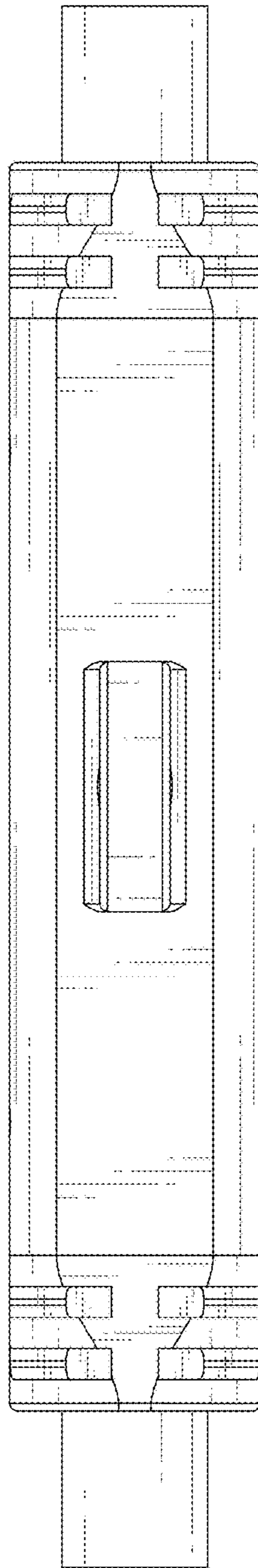


FIG.6

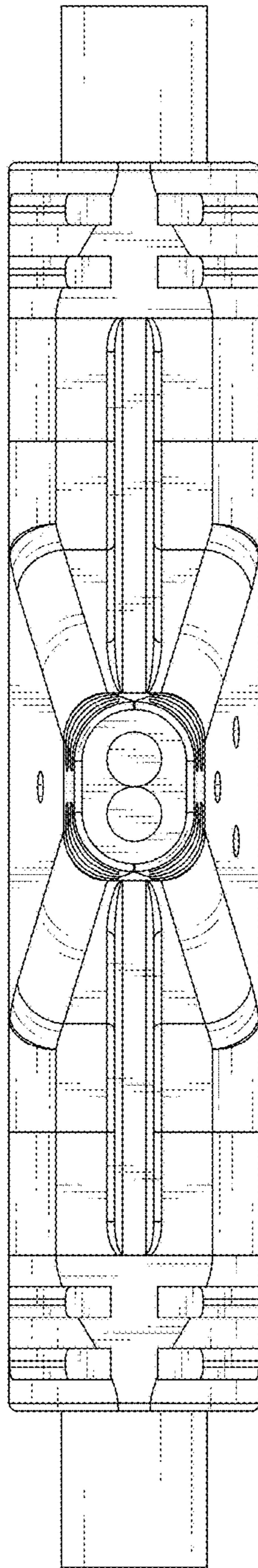


FIG.7



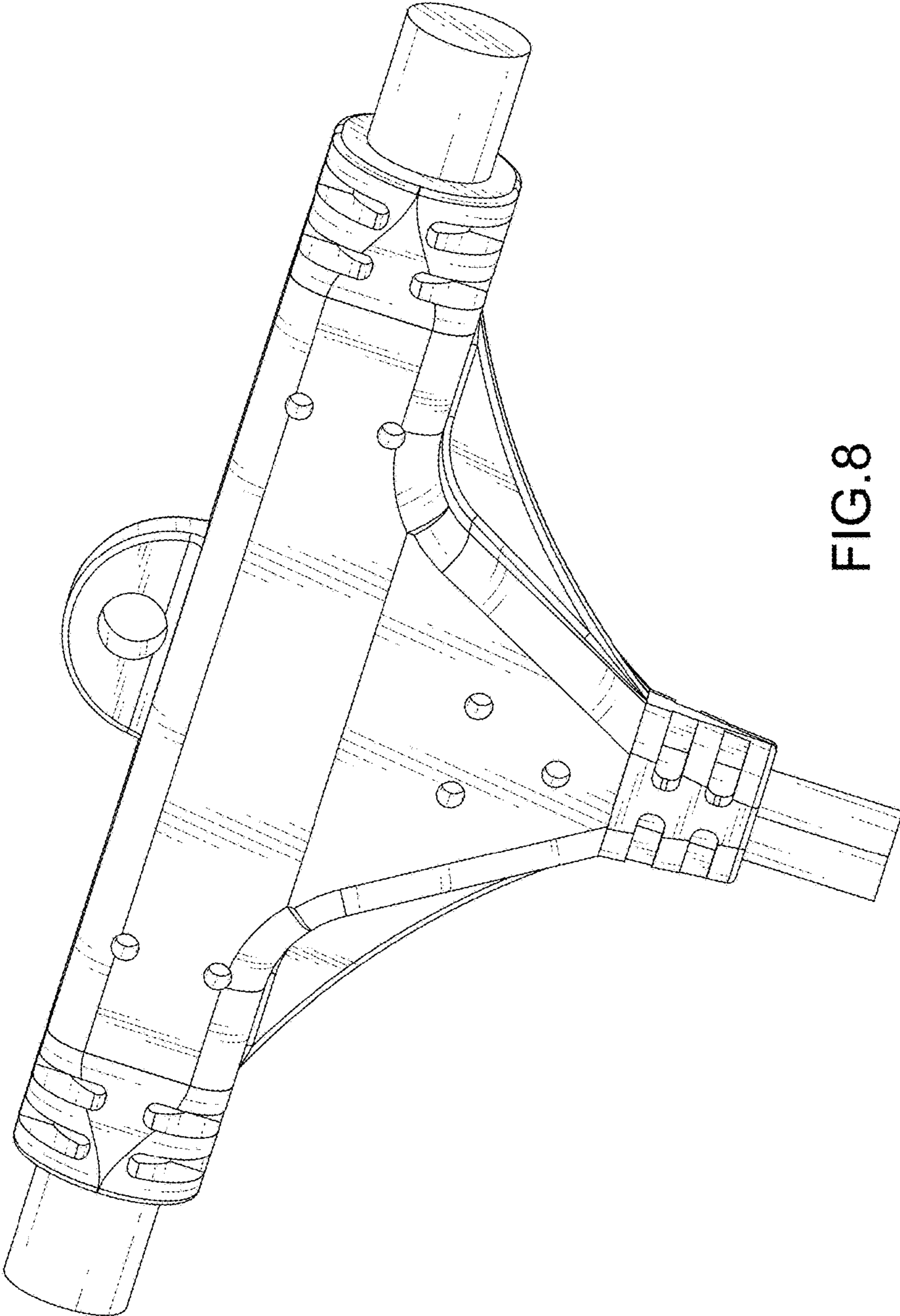


FIG. 8