



US00D866475S

(12) **United States Design Patent**  
**Pan et al.**

(10) **Patent No.:** **US D866,475 S**

(45) **Date of Patent:** **\*\* Nov. 12, 2019**

(54) **ELECTRICAL CONNECTOR**

(71) Applicant: **Foshan Ojun Electronic Technology Co., Ltd.**, Foshan (CN)

(72) Inventors: **Changxiong Pan**, Foshan (CN);  
**Yaoguang Xiao**, Foshan (CN)

(\*\*) Term: **15 Years**

(21) Appl. No.: **29/665,798**

(22) Filed: **Oct. 7, 2018**

(51) **LOC (12) Cl.** ..... **13-03**

(52) **U.S. Cl.**  
USPC ..... **D13/146**

(58) **Field of Classification Search**  
USPC ..... D13/118–123, 133, 146, 147, 149,  
D13/151–156, 173, 184, 199  
CPC ... H01R 4/48; H01R 9/00; H01R 9/24; H01R  
12/00; H01R 13/00; H01R 13/28; H01R  
13/62; H01R 13/627; H01R 13/6273;  
H01R 13/639; H01R 13/64; H01R  
13/641; H01R 24/84  
See application file for complete search history.

(56) **References Cited**

**U.S. PATENT DOCUMENTS**

- 4,921,448 A \* 5/1990 Endo ..... H01R 13/4367  
439/592
- 5,017,163 A \* 5/1991 Ohsumi ..... H01R 13/4362  
439/752
- 9,831,604 B2 \* 11/2017 Giefers ..... H01R 13/639
- 9,876,323 B1 \* 1/2018 Lybrand ..... H01R 24/84

- 10,326,237 B1 \* 6/2019 Campos ..... H01R 13/62938
- 2008/0119090 A1 \* 5/2008 Giefers ..... H01R 13/6273  
439/681
- 2010/0311265 A1 \* 12/2010 Stracke ..... H01R 13/6273  
439/345
- 2015/0118886 A1 \* 4/2015 Wang ..... H01R 13/6272  
439/350
- 2015/0222055 A1 \* 8/2015 Plazio ..... H01R 13/639  
439/347
- 2018/0166801 A1 \* 6/2018 Pan ..... H01R 4/48

\* cited by examiner

*Primary Examiner* — Angela J Lee

*Assistant Examiner* — Shawn T Gingrich

(74) *Attorney, Agent, or Firm* — Erson IP (Nelson IP)

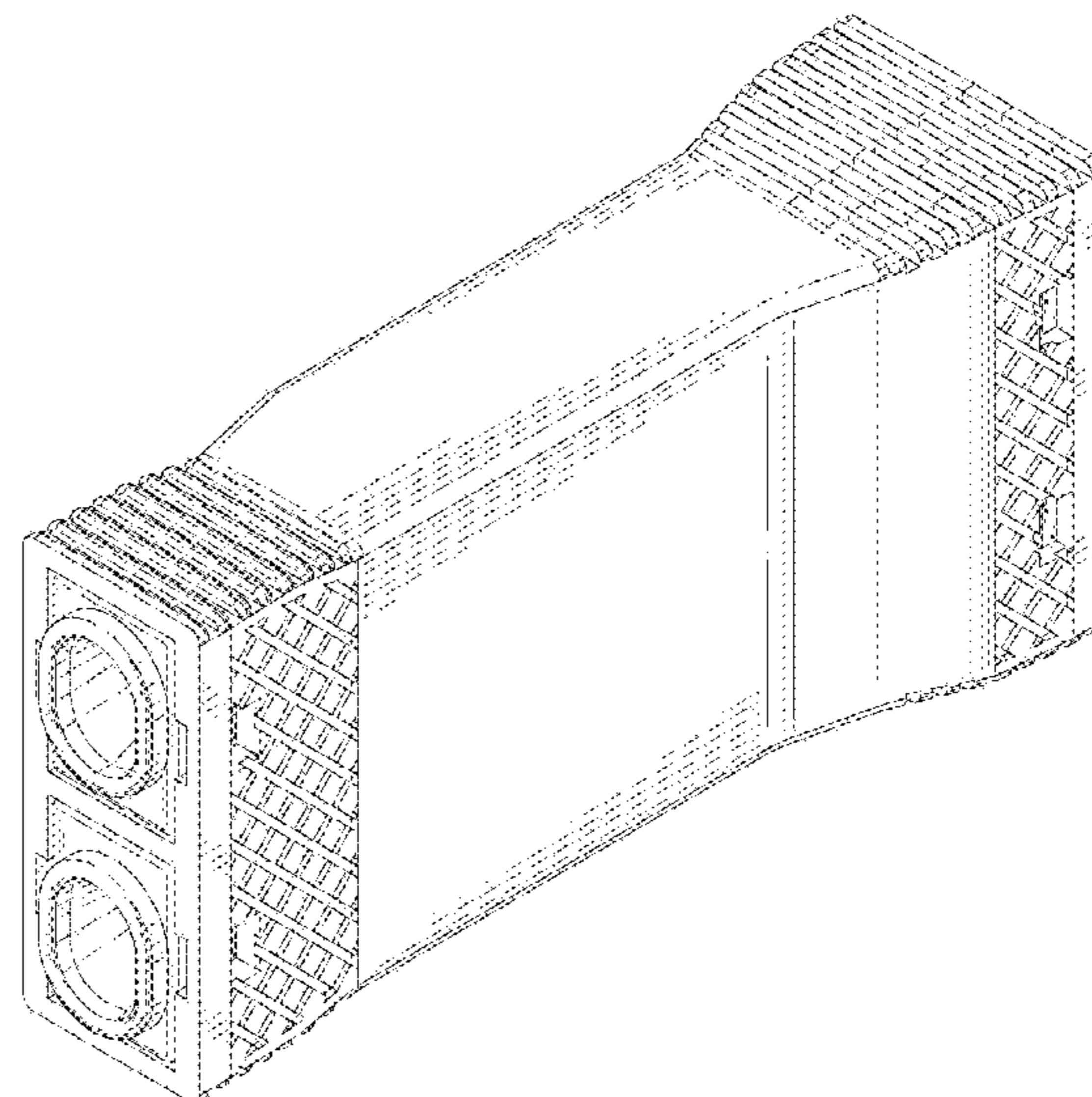
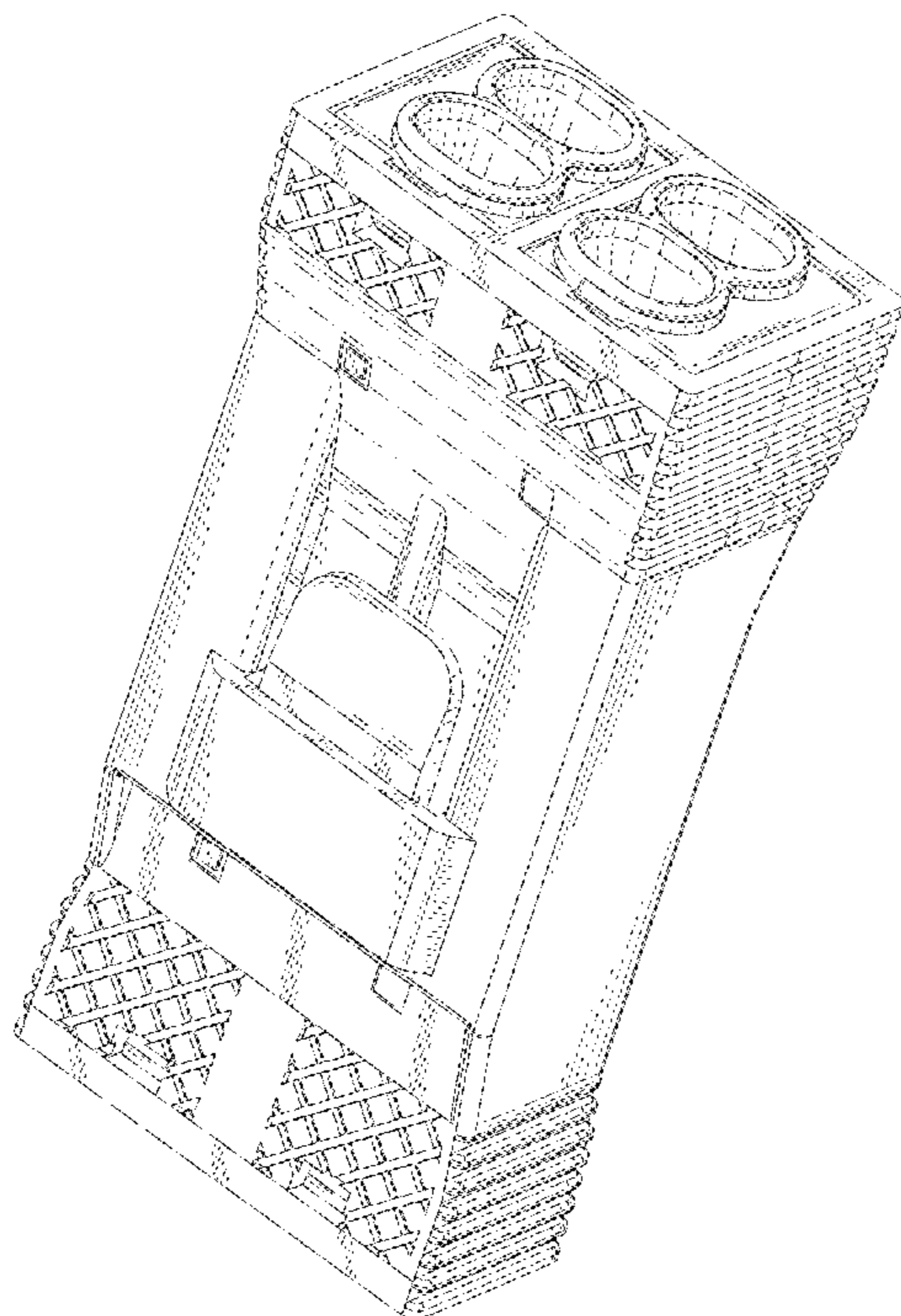
(57) **CLAIM**

The ornamental design for an electrical connector, as shown and described.

**DESCRIPTION**

FIG. 1 is a perspective view of an electrical connector showing my new design;  
 FIG. 2 is another perspective view thereof;  
 FIG. 3 is a front view thereof;  
 FIG. 4 is a rear view thereof;  
 FIG. 5 is a left side view thereof;  
 FIG. 6 is a right side view thereof;  
 FIG. 7 is a top plan view thereof; and,  
 FIG. 8 is a bottom plan view thereof.  
 The broken lines are for the purposes of illustrating portions of the electrical connector and form no part of the claimed design.

**1 Claim, 8 Drawing Sheets**



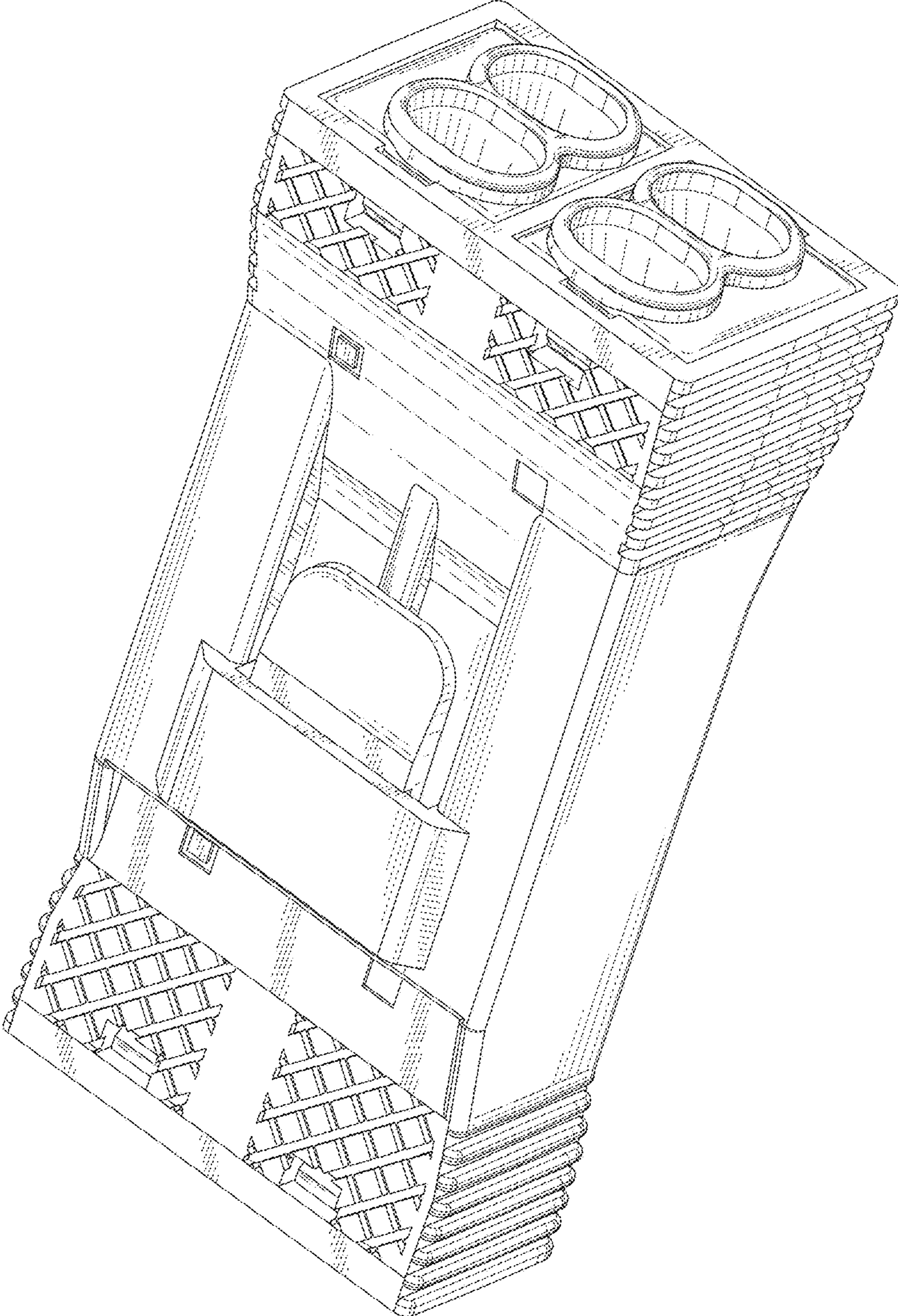


FIG. 1

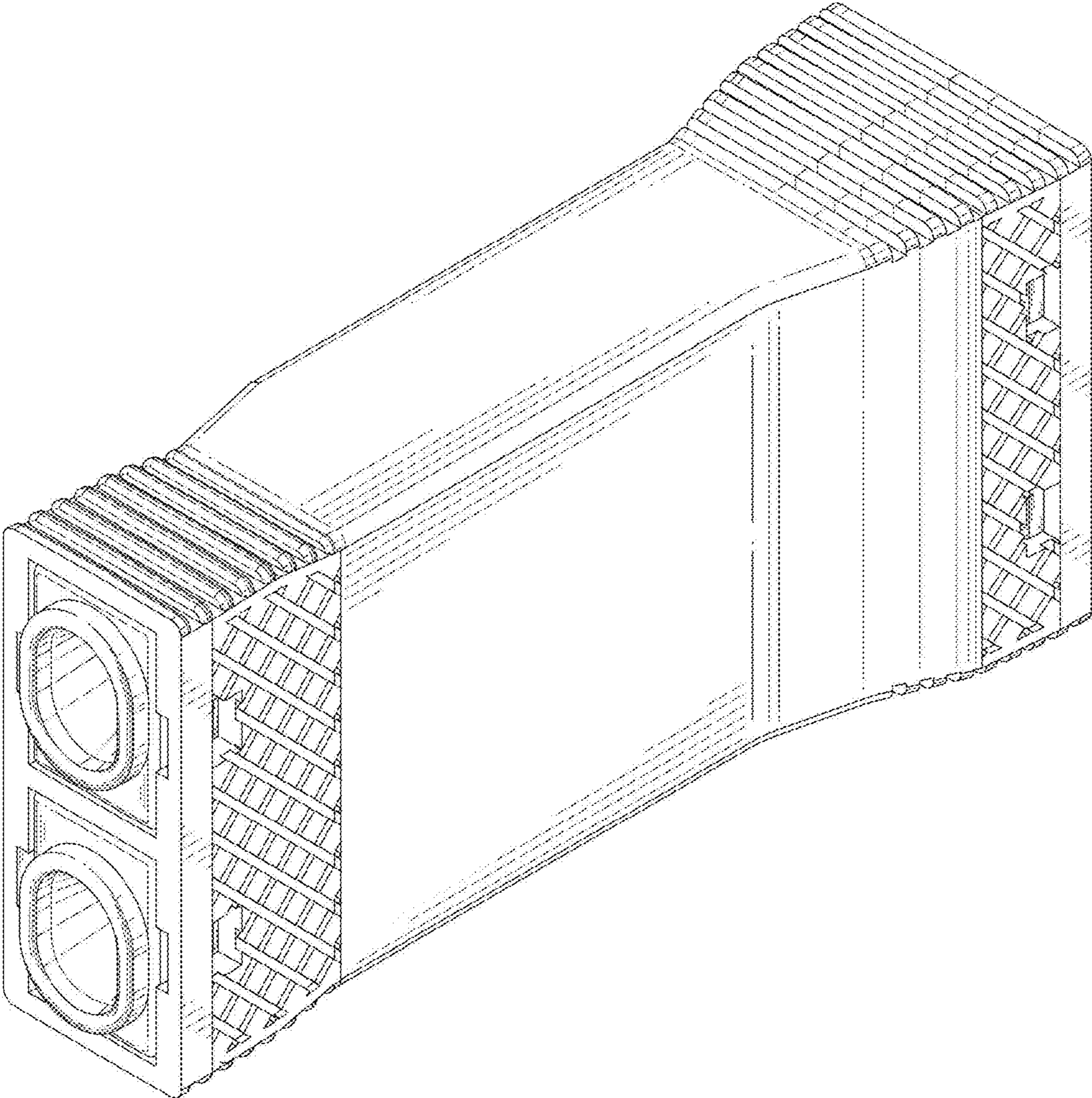


FIG. 2

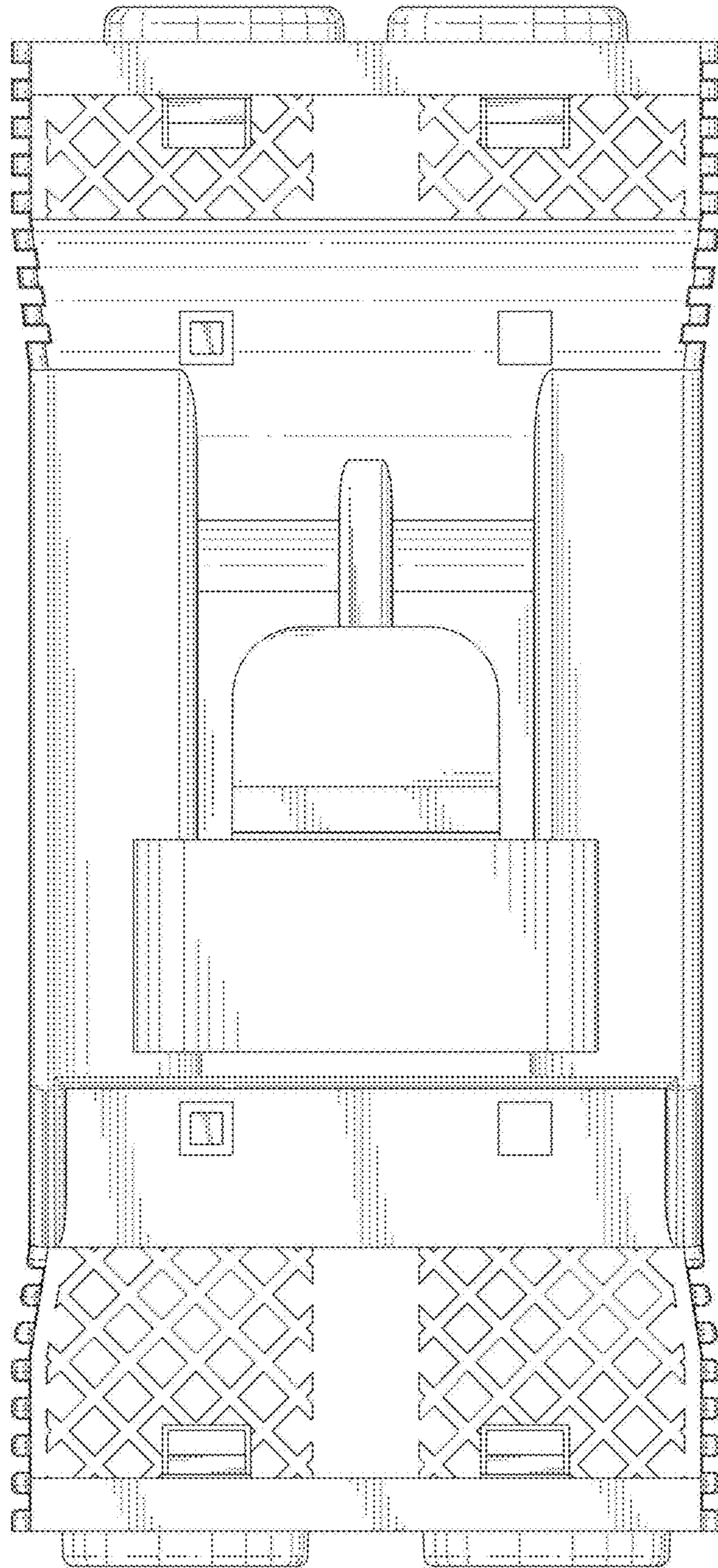


FIG. 3

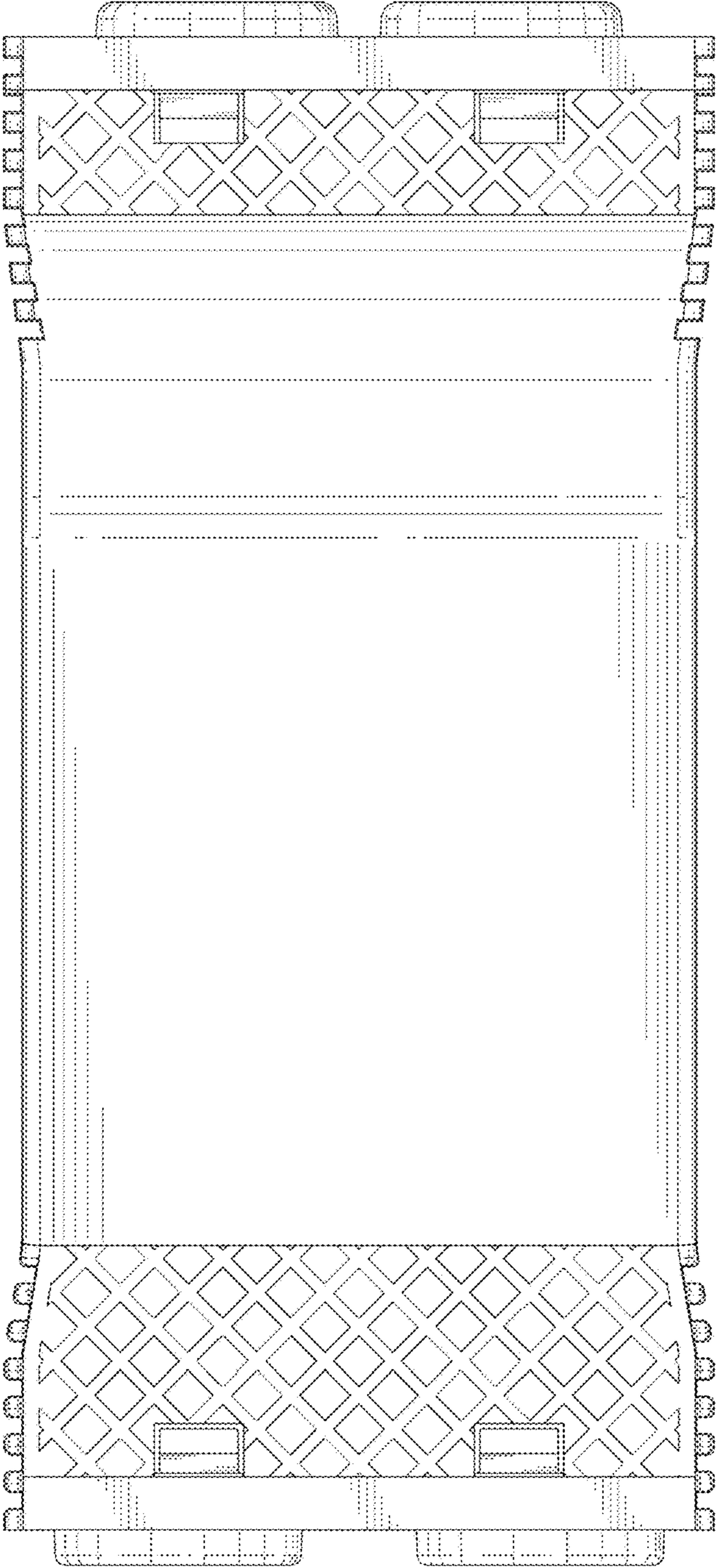


FIG. 4

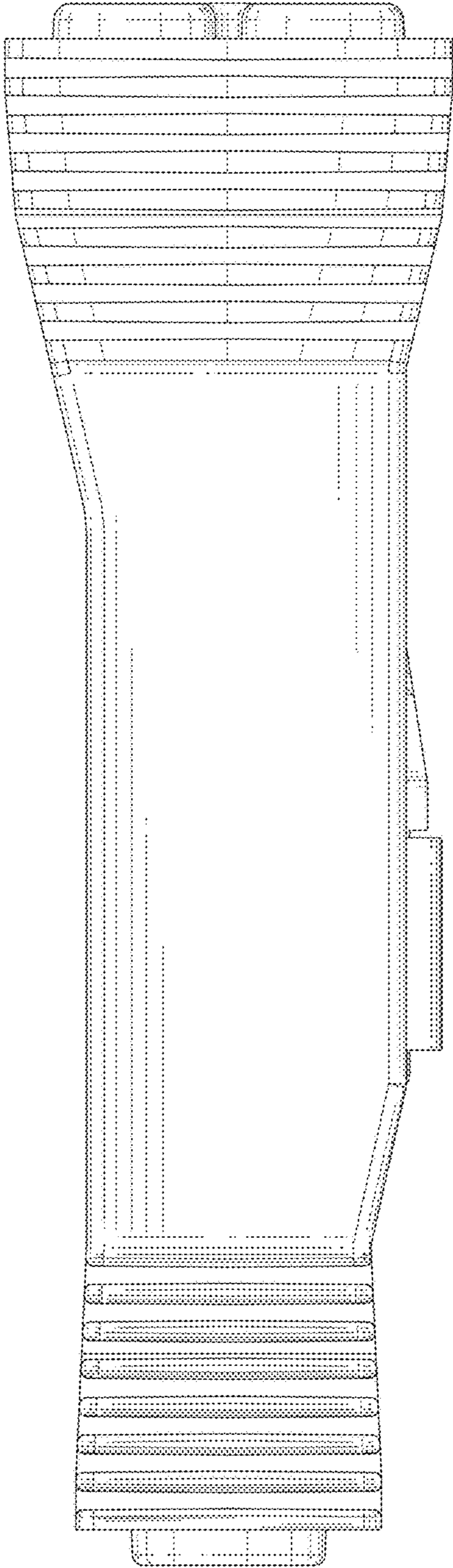


FIG.5

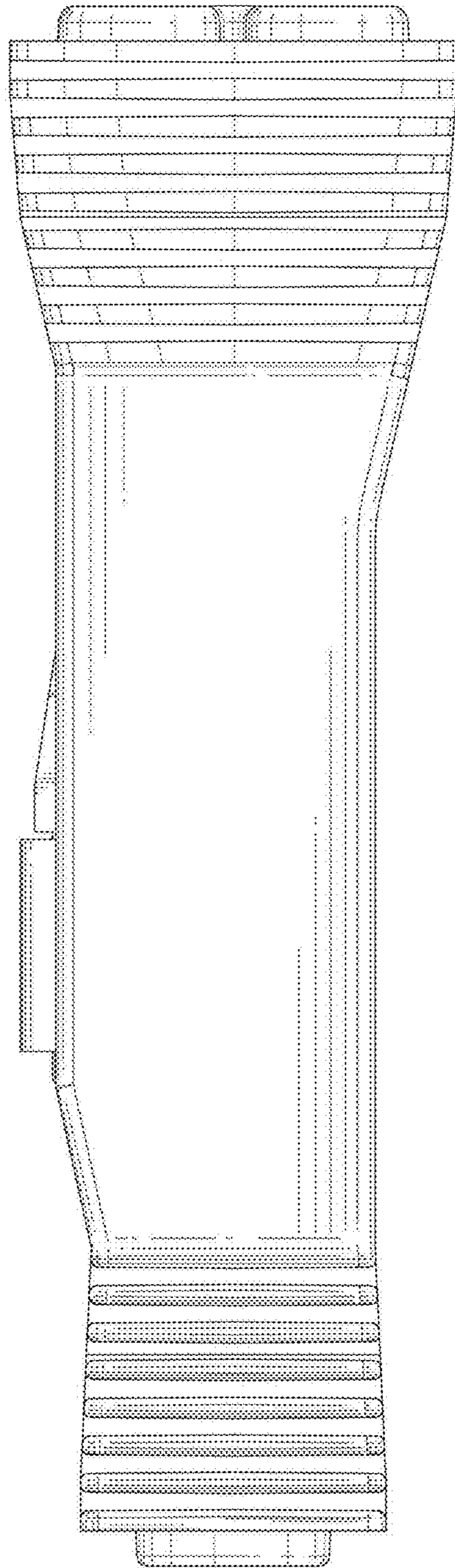


FIG. 6

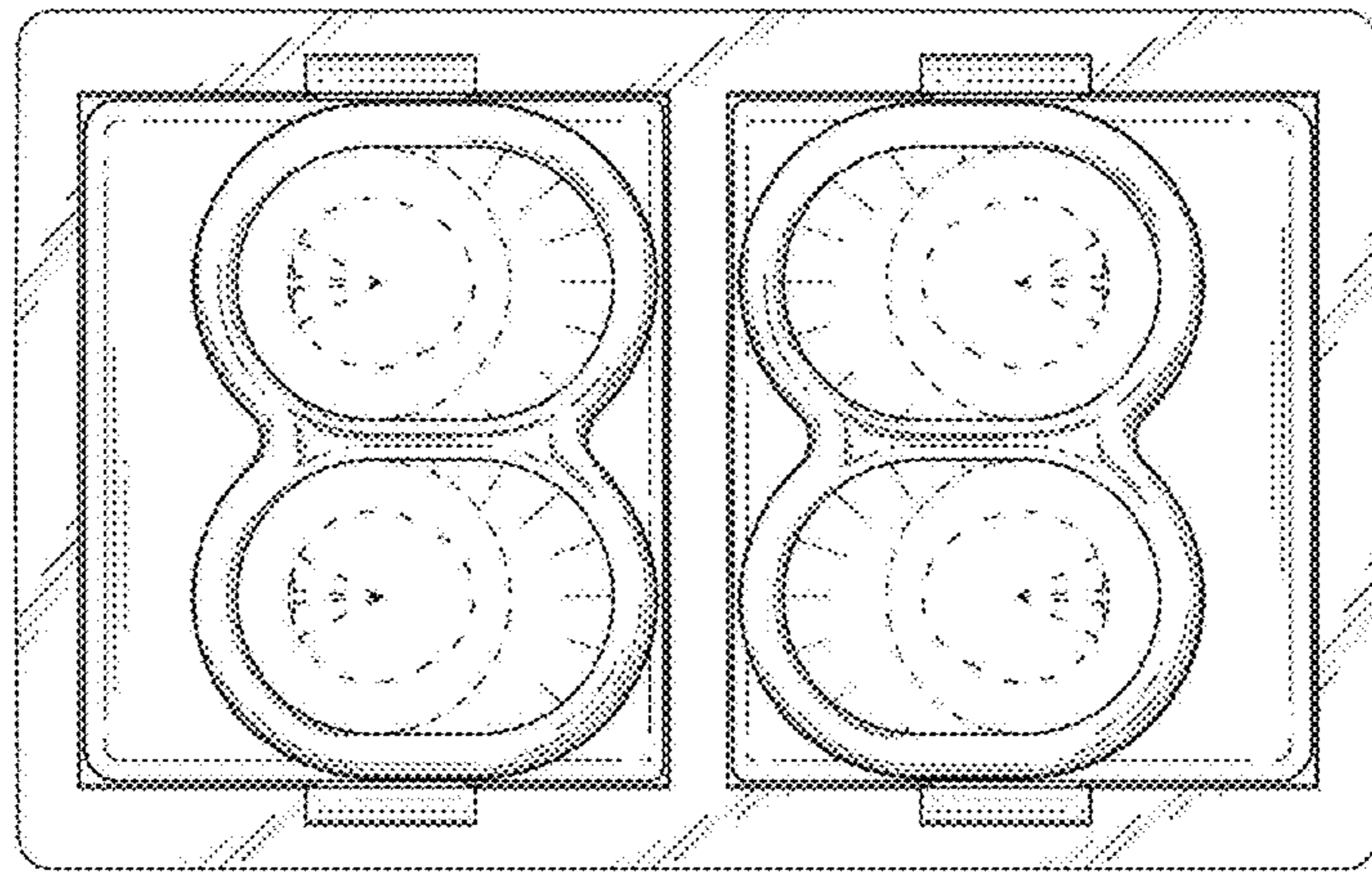


FIG. 7



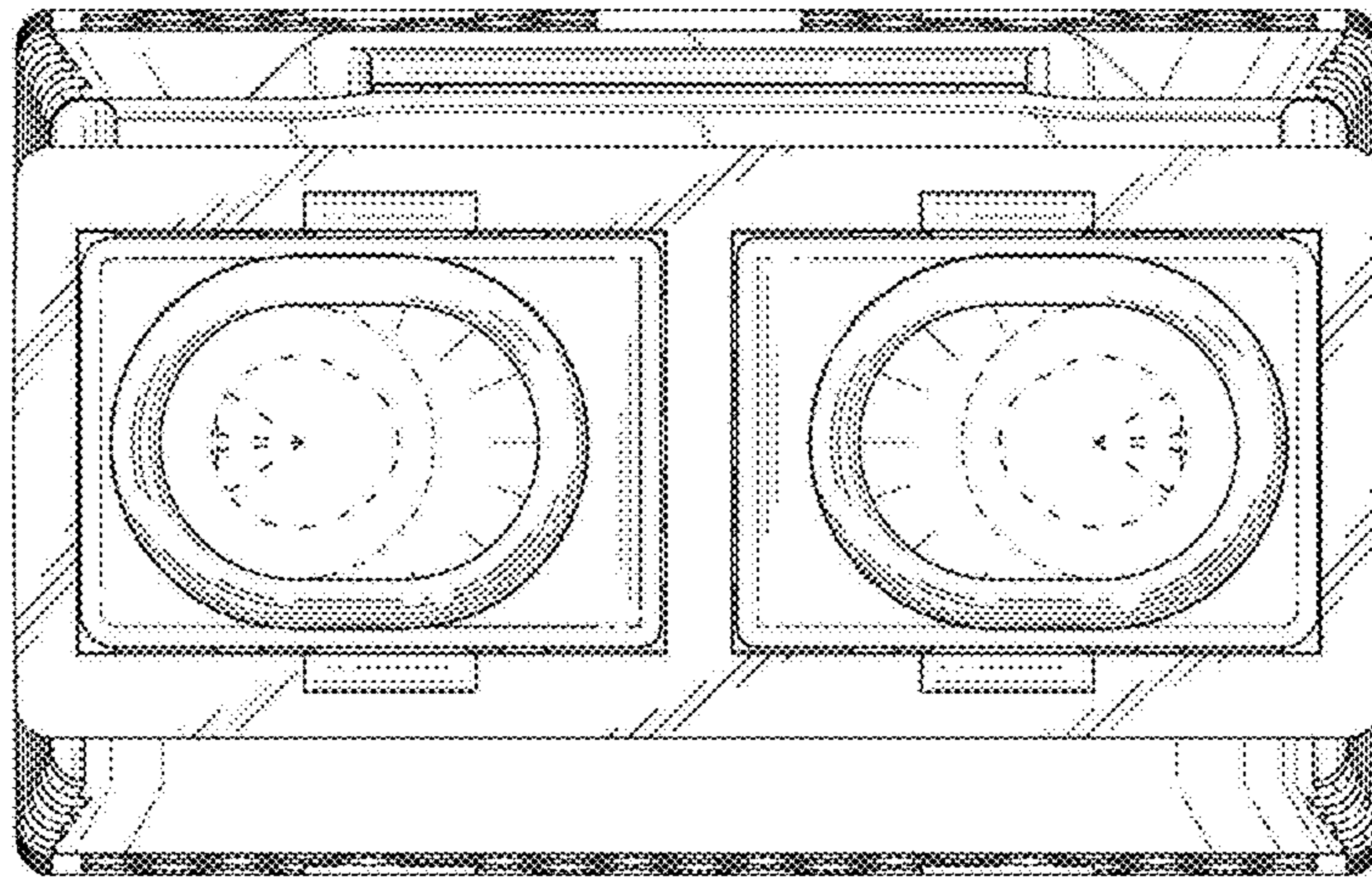


FIG. 8