



US00D866474S

(12) **United States Design Patent**
Pan et al.

(10) **Patent No.:** **US D866,474 S**

(45) **Date of Patent:** **** Nov. 12, 2019**

(54) **ELECTRICAL CONNECTOR**

(71) Applicant: **Foshan Ojun Electronic Technology Co., Ltd.**, Foshan (CN)

(72) Inventors: **Changxiong Pan**, Foshan (CN);
Yaoguang Xiao, Foshan (CN)

(**) Term: **15 Years**

(21) Appl. No.: **29/665,797**

(22) Filed: **Oct. 7, 2018**

(51) **LOC (12) Cl.** **13-03**

(52) **U.S. Cl.**
USPC **D13/146**

(58) **Field of Classification Search**
USPC D13/118–123, 133, 146, 147, 149,
D13/151–156, 173, 184, 199
CPC ... H01R 4/48; H01R 9/00; H01R 9/24; H01R
12/00; H01R 13/00; H01R 13/28; H01R
13/62; H01R 13/627; H01R 13/6273;
H01R 13/639; H01R 13/64; H01R
13/641; H01R 24/84
See application file for complete search history.

(56) **References Cited**

U.S. PATENT DOCUMENTS

- 4,921,448 A * 5/1990 Endo H01R 13/4367
439/592
- 5,017,163 A * 5/1991 Ohsumi H01R 13/4362
439/752
- 9,831,604 B2 * 11/2017 Giefers H01R 13/639
- 9,876,323 B1 * 1/2018 Lybrand H01R 24/84

- 10,326,237 B1 * 6/2019 Campos H01R 13/62938
- 2008/0119090 A1 * 5/2008 Giefers H01R 13/6273
439/681
- 2010/0311265 A1 * 12/2010 Stracke H01R 13/6273
439/345
- 2015/0118886 A1 * 4/2015 Wang H01R 13/6272
439/350
- 2015/0222055 A1 * 8/2015 Plazio H01R 13/639
439/347
- 2018/0166801 A1 * 6/2018 Pan H01R 4/48

* cited by examiner

Primary Examiner — Angela J Lee

Assistant Examiner — Shawn T Gingrich

(74) *Attorney, Agent, or Firm* — Erson IP (Nelson IP)

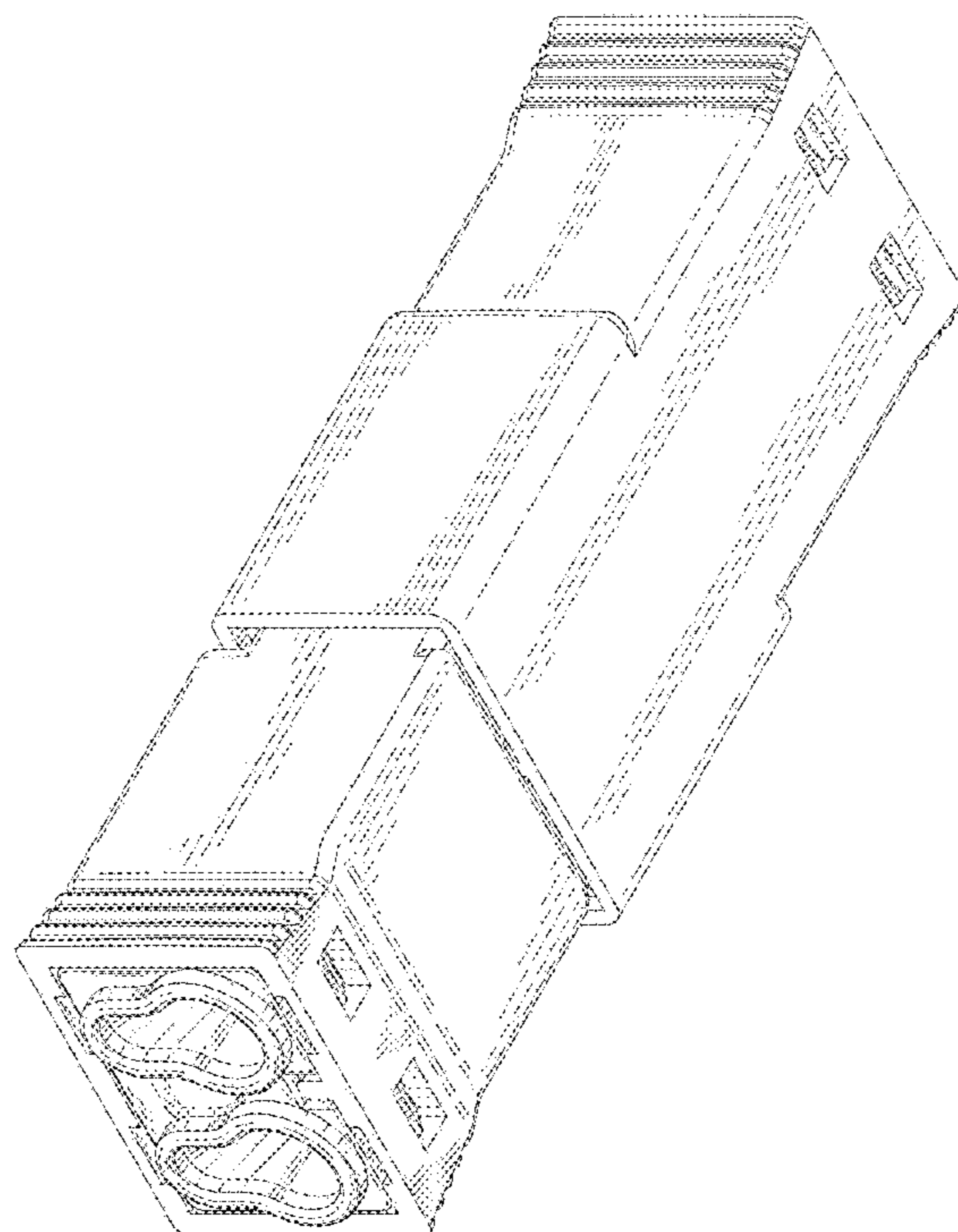
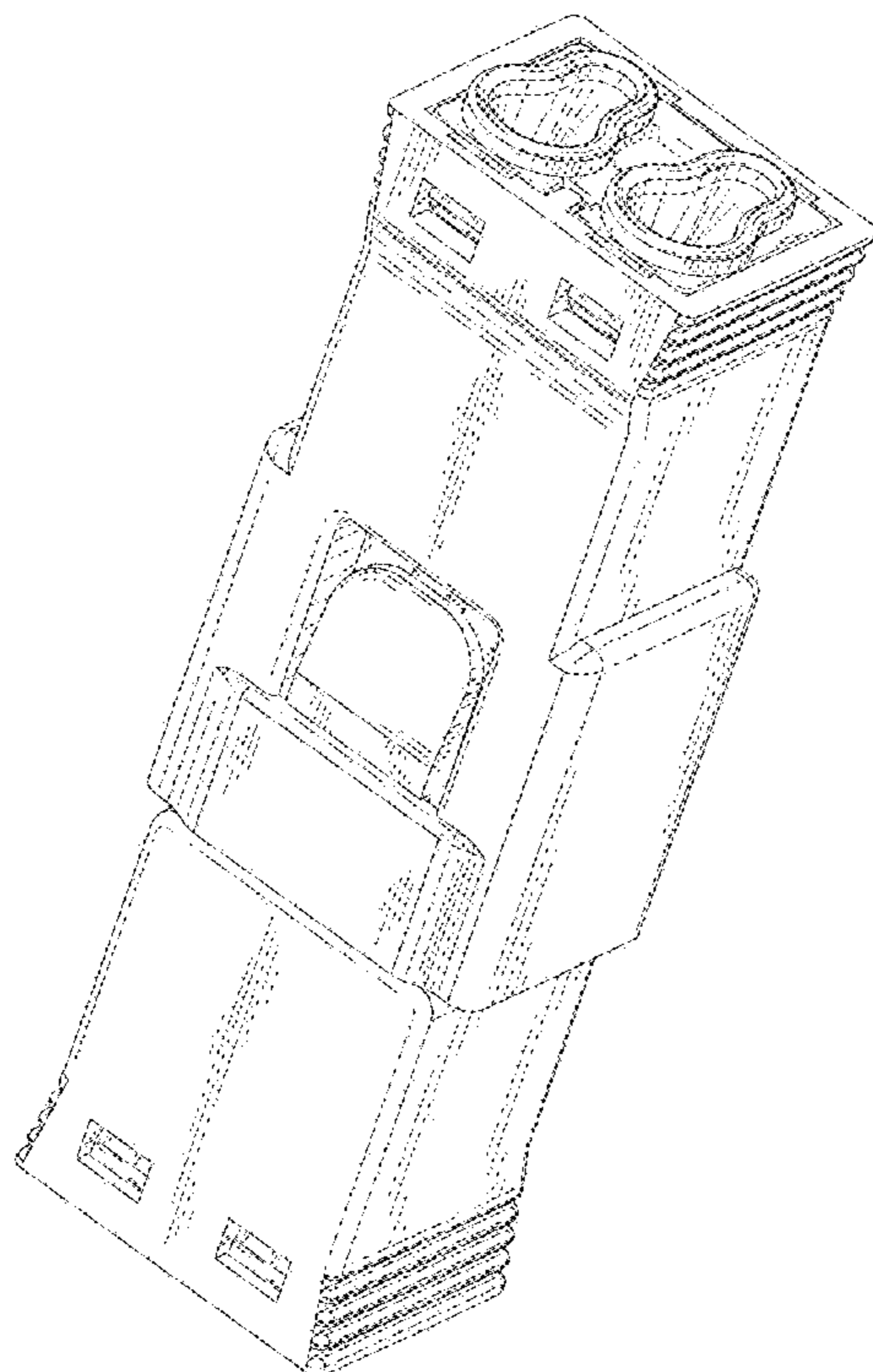
(57) **CLAIM**

The ornamental design for an electrical connector, as shown and described.

DESCRIPTION

FIG. 1 is a perspective view of an electrical connector showing my new design;
 FIG. 2 is another perspective view thereof;
 FIG. 3 is a front view thereof;
 FIG. 4 is a rear view thereof;
 FIG. 5 is a left side view thereof;
 FIG. 6 is a right side view thereof;
 FIG. 7 is a top plan view thereof; and,
 FIG. 8 is a bottom plan view thereof.
 The broken lines are for the purposes of illustrating portions of the electrical connector and form no part of the claimed design.

1 Claim, 8 Drawing Sheets



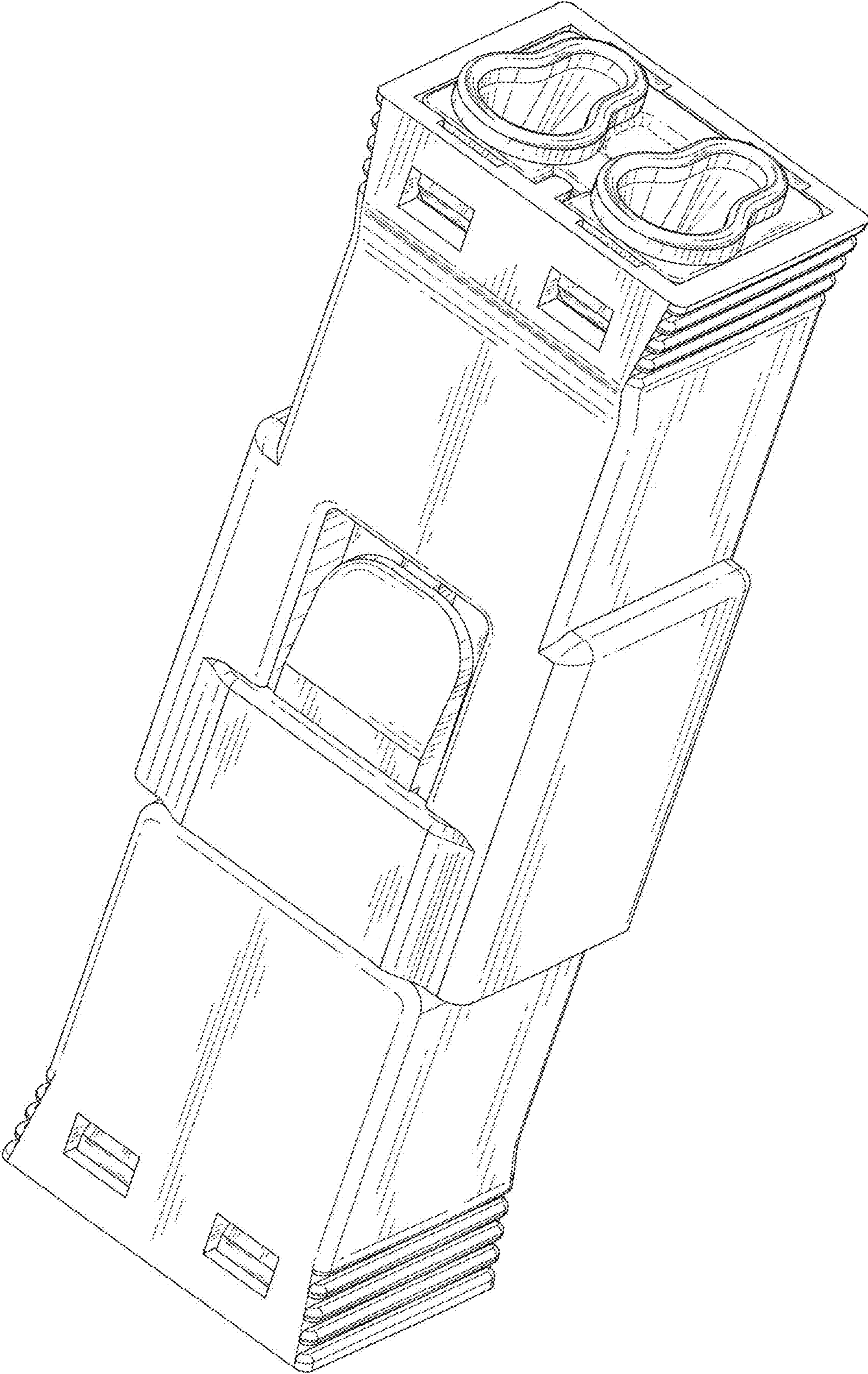


FIG. 1

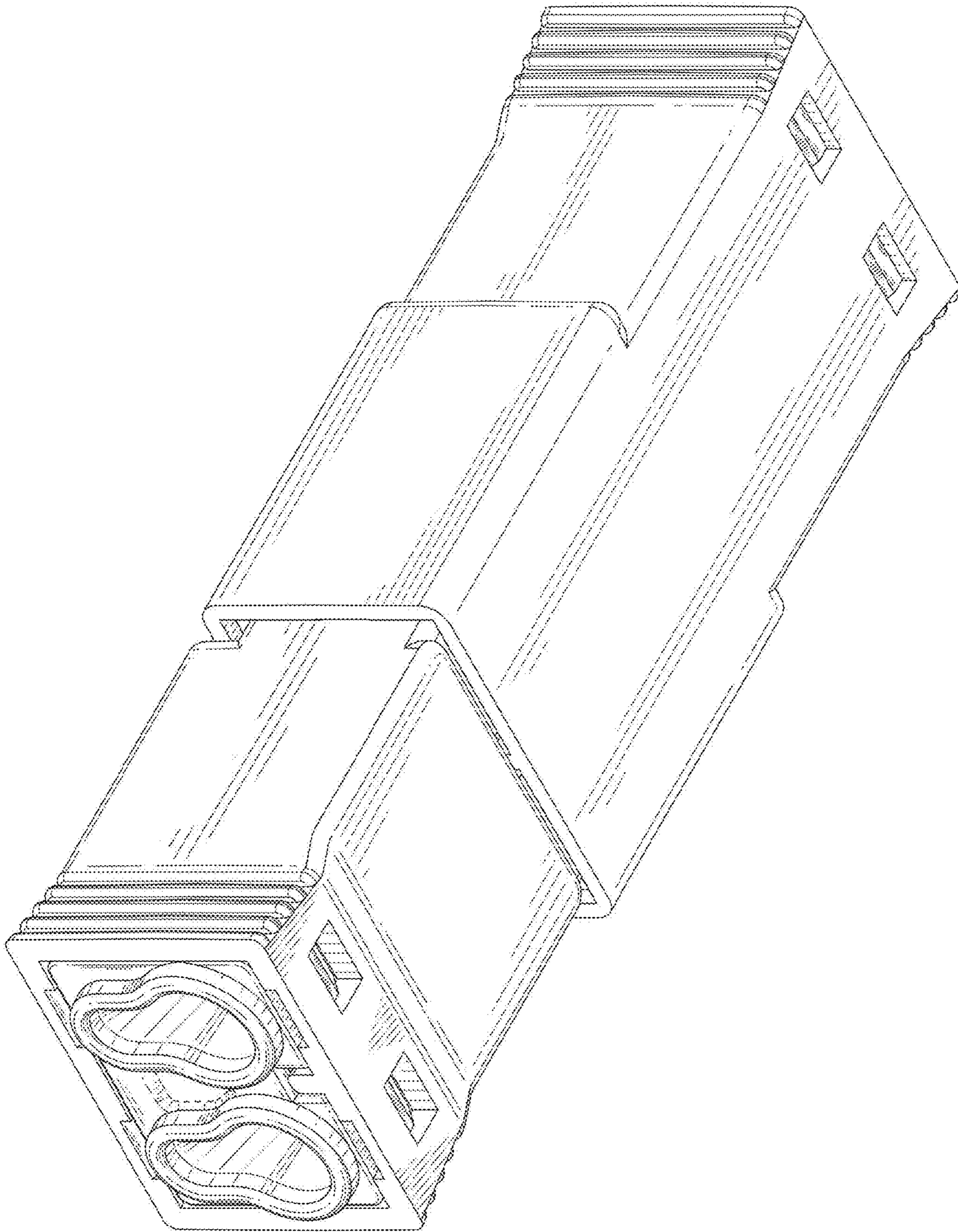


FIG. 2

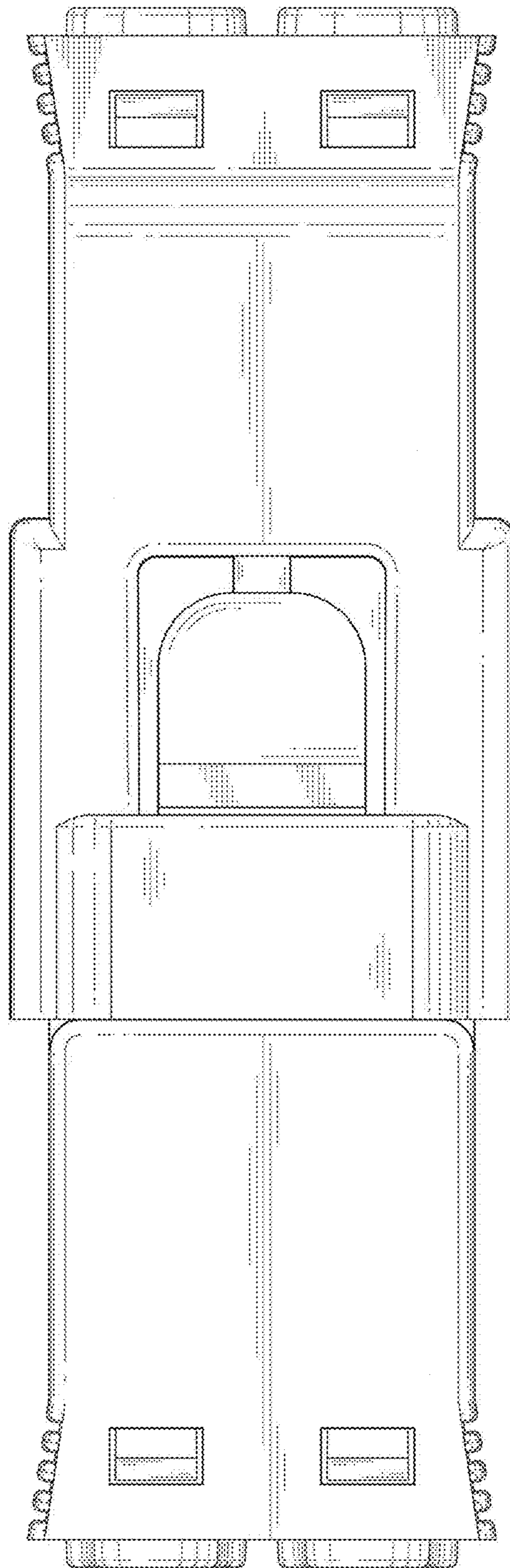


FIG. 3

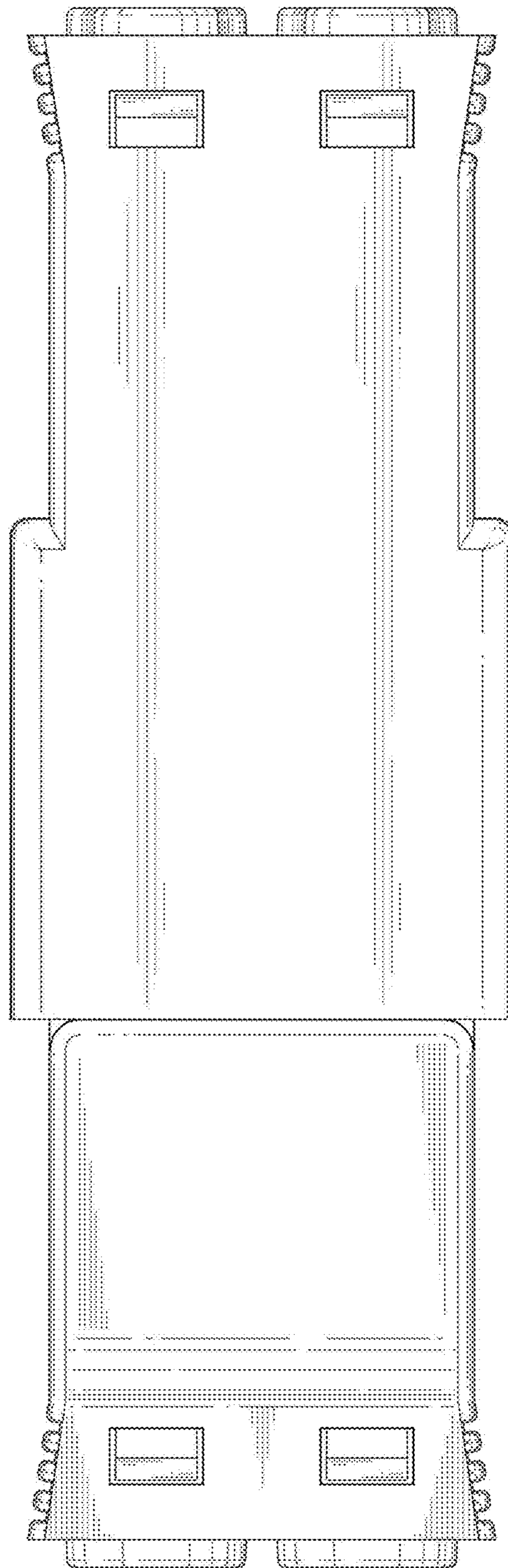


FIG. 4

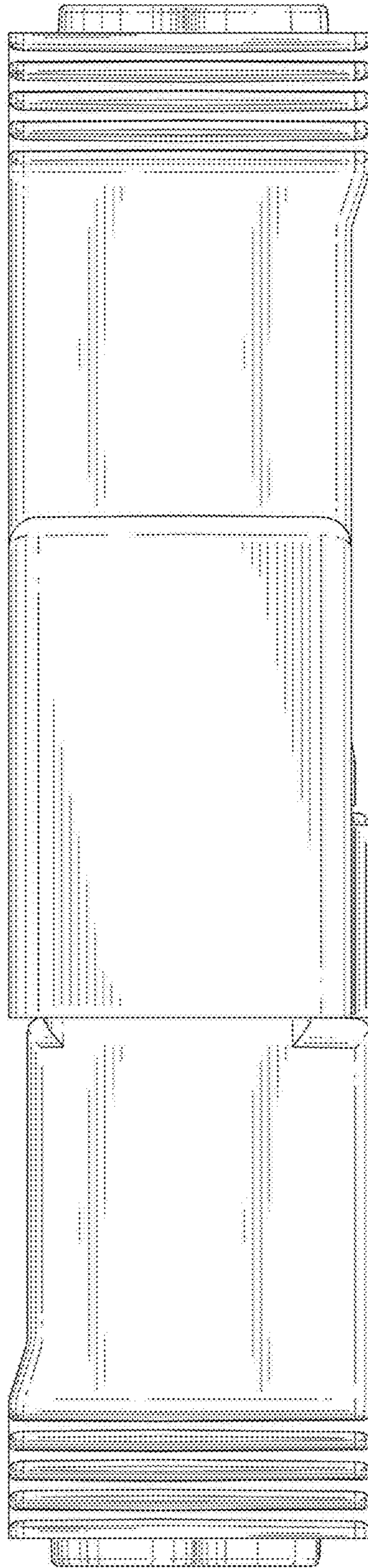


FIG. 5

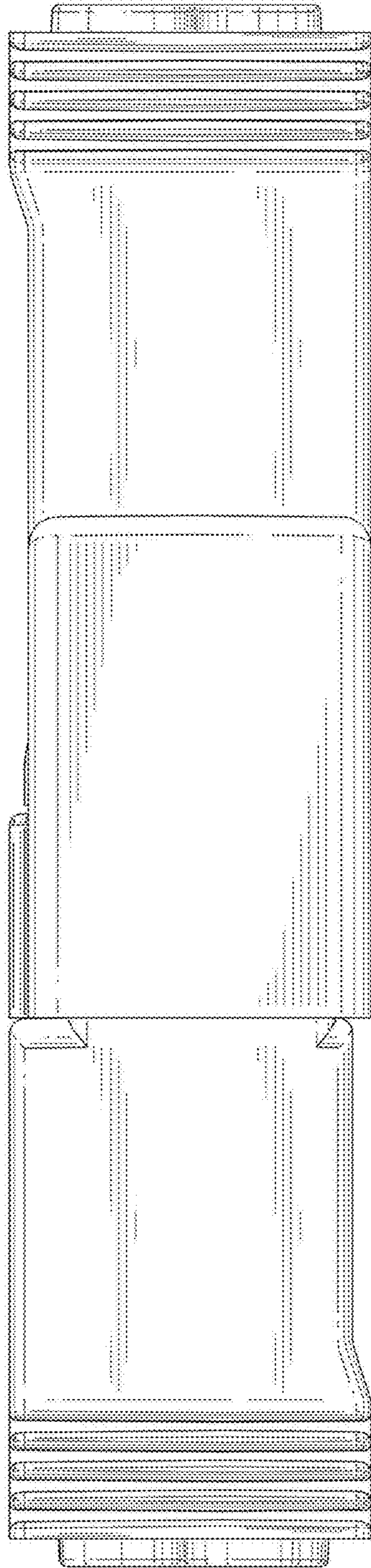


FIG. 6

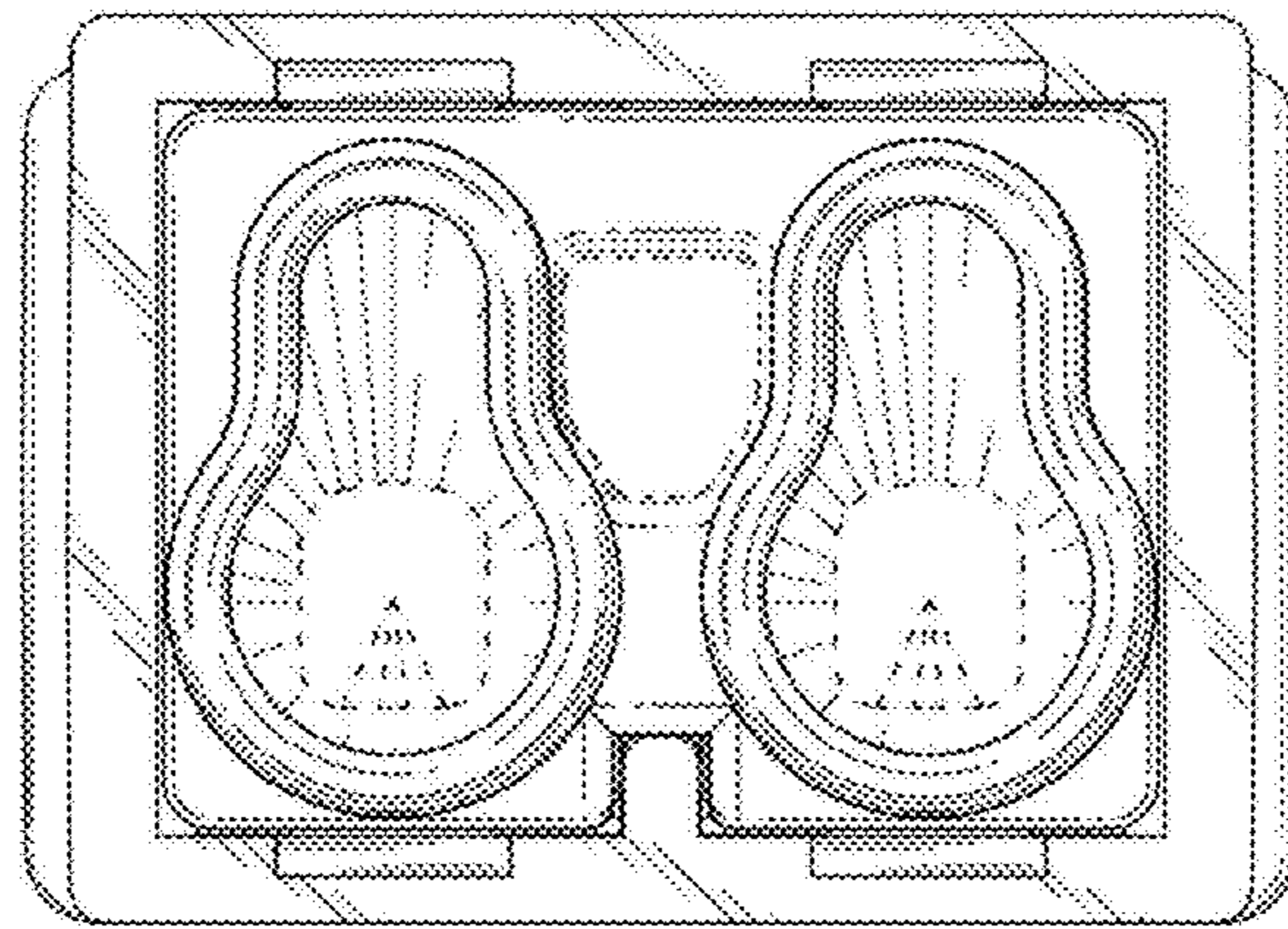


FIG. 7

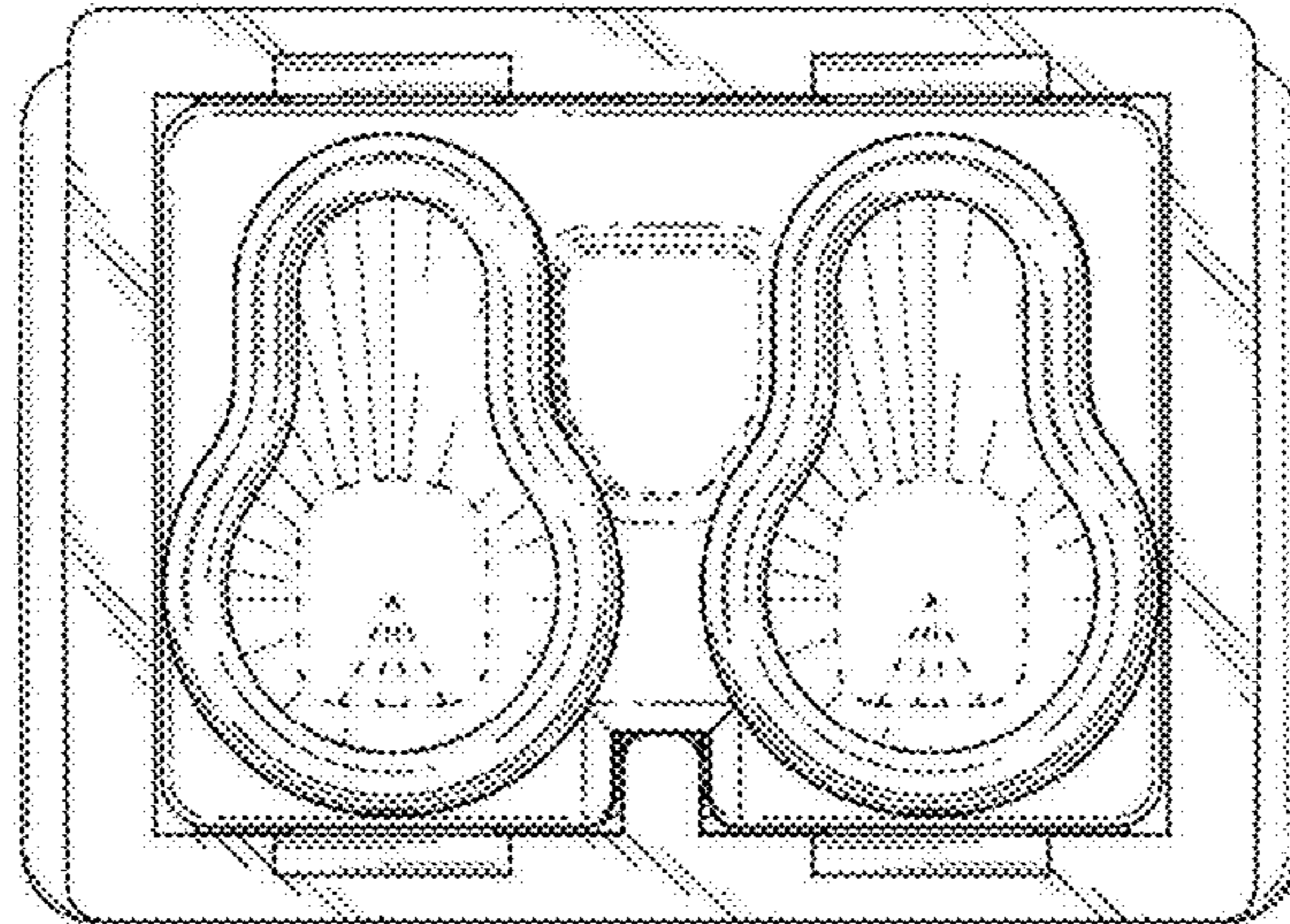


FIG. 8