



US00D866473S

(12) **United States Design Patent** (10) **Patent No.:** **US D866,473 S**  
**Ramakrishna Gowda et al.** (45) **Date of Patent:** **\*\* Nov. 12, 2019**

(54) **CONNECTOR**

(71) Applicant: **Molex, LLC**, Lisle, IL (US)

(72) Inventors: **Manohara Ramakrishna Gowda**, Bangalore (IN); **Ishwarappa Ganamukhi**, Bangalore (IN); **KrishnaPrasad Somanath**, Bangalore (IN); **Joseph Comerci**, Lisle, IL (US); **Michael Gonzalez**, Batavia, IL (US)

(73) Assignee: **Molex, LLC**, Lisle, IL (US)

(\*\*) Term: **15 Years**

(21) Appl. No.: **29/583,437**

(22) Filed: **Nov. 4, 2016**

(51) **LOC (12) Cl.** ..... **13-03**

(52) **U.S. Cl.**  
USPC ..... **D13/146**

(58) **Field of Classification Search**  
USPC ..... D13/110, 118-123, 125, 126, 133-136, D13/146, 147, 149, 151, 154, 155, 156, D13/173, 178, 184, 199  
CPC ... H01R 4/00; H01R 4/24; H01R 4/64; H01R 4/66; H01R 9/03; H01R 9/05; H01R 13/62; H01R 13/64; H01R 13/65; H01R 13/68; H01R 25/00; H02G 3/00; H02G 3/06; H02G 3/18  
See application file for complete search history.

(56) **References Cited**

**U.S. PATENT DOCUMENTS**

- 3,187,088 A \* 6/1965 Warner ..... H02G 15/24 174/76
- D472,523 S \* 4/2003 Hansen ..... D13/146
- D639,744 S \* 6/2011 Smith ..... D13/146
- 7,973,241 B2 \* 7/2011 Evoniuk ..... H02G 15/24 174/84 R
- 8,242,369 B2 \* 8/2012 Kiely ..... H01R 9/032 174/84 R

- 9,252,577 B1 \* 2/2016 Smith ..... H02G 15/076
- D750,570 S \* 3/2016 Smith ..... D13/155
- D751,043 S \* 3/2016 Smith ..... D13/155
- D755,728 S \* 5/2016 Smith ..... D13/155
- D755,729 S \* 5/2016 Smith ..... D13/155
- D821,979 S \* 7/2018 Ramakrishna Gowda .. D13/146

(Continued)

**FOREIGN PATENT DOCUMENTS**

TW D158548 1/2014

**OTHER PUBLICATIONS**

Isolated Triple Bullet Snap Connector Sleeve, dated Sep. 26, 2015, [online], [site visited Feb. 14, 2018]. Available from Internet, <URL: <http://www.britishwiring.com/Triple-Snap-Connector-Sleeve-3-way-Isolated-p/c333.htm>>.\*

(Continued)

*Primary Examiner* — Angela J Lee  
*Assistant Examiner* — Shawn T Gingrich  
(74) *Attorney, Agent, or Firm* — Banner & Witcoff, Ltd.

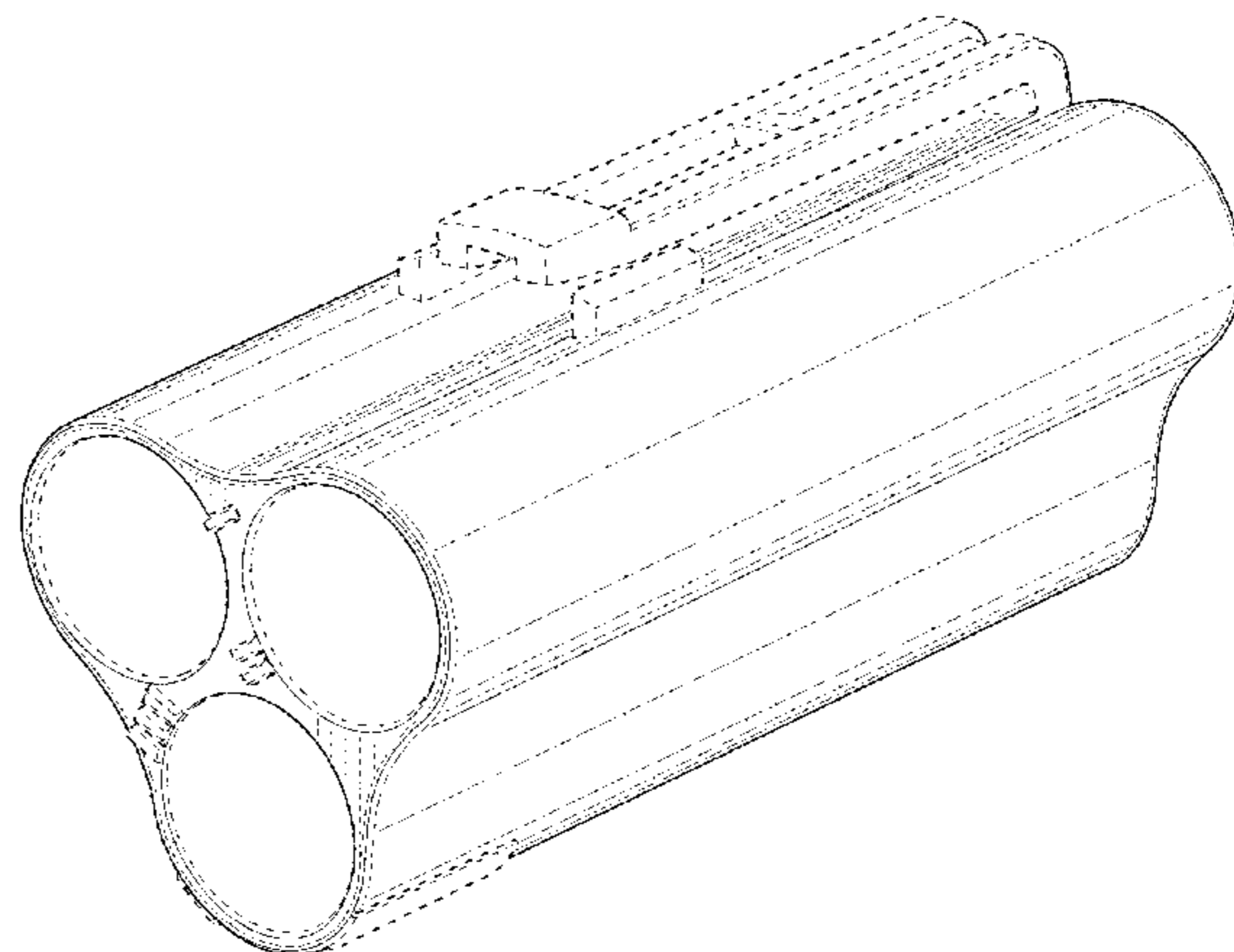
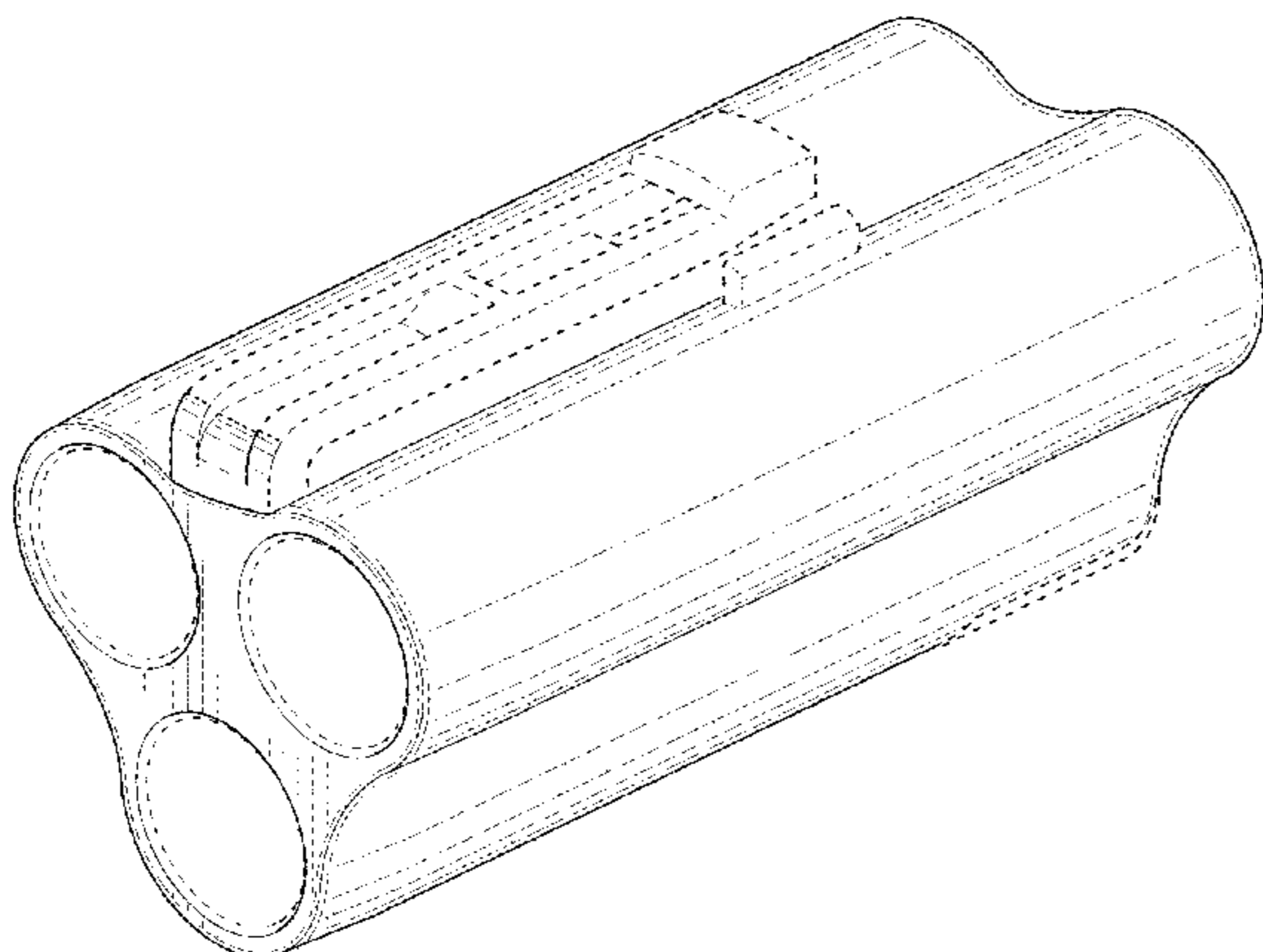
(57) **CLAIM**

The ornamental design for a connector, as shown and described.

**DESCRIPTION**

FIG. 1 is a front perspective view of a connector showing our new design;  
FIG. 2 is a right side view thereof;  
FIG. 3 is a left side view thereof;  
FIG. 4 is a front view thereof;  
FIG. 5 is a rear view thereof;  
FIG. 6 is a top view thereof;  
FIG. 7 is a bottom view thereof; and,  
FIG. 8 is a rear perspective view thereof.  
The broken lines showing various portions of the connector, and the unshaded region therein, represent subject matter which forms no part in the claimed design.

**1 Claim, 8 Drawing Sheets**



(56)

**References Cited**

U.S. PATENT DOCUMENTS

D822,610 S \* 7/2018 Ramakrishna Gowda .. D13/146  
D848,373 S \* 5/2019 Ramakrishna Gowda .. D13/146  
2008/0113552 A1\* 5/2008 Casperson ..... H01R 13/521  
439/579

OTHER PUBLICATIONS

Solderable Lucas-Type Bullet and Spade Connectors by britbike.com, dated Mar. 21, 2016, [online], [site visited Sep. 26, 2018]. Available from Internet, <URL: <http://britbike.com/forums/ubbthreads.php?ubb=showflat&Number=644857&page=all>> (Year: 2016).\*

Bournemouth Bantams: My First D4 Sport Saga, dated May 27, 2018, [online], [site visited Sep. 26, 2018]. Available from Internet, <URL: <https://www.tapatalk.com/groups/bournemouthbantams/my-first-d14-s-port-saga-t146-s90.html>> (Year: 2018).\*

\* cited by examiner

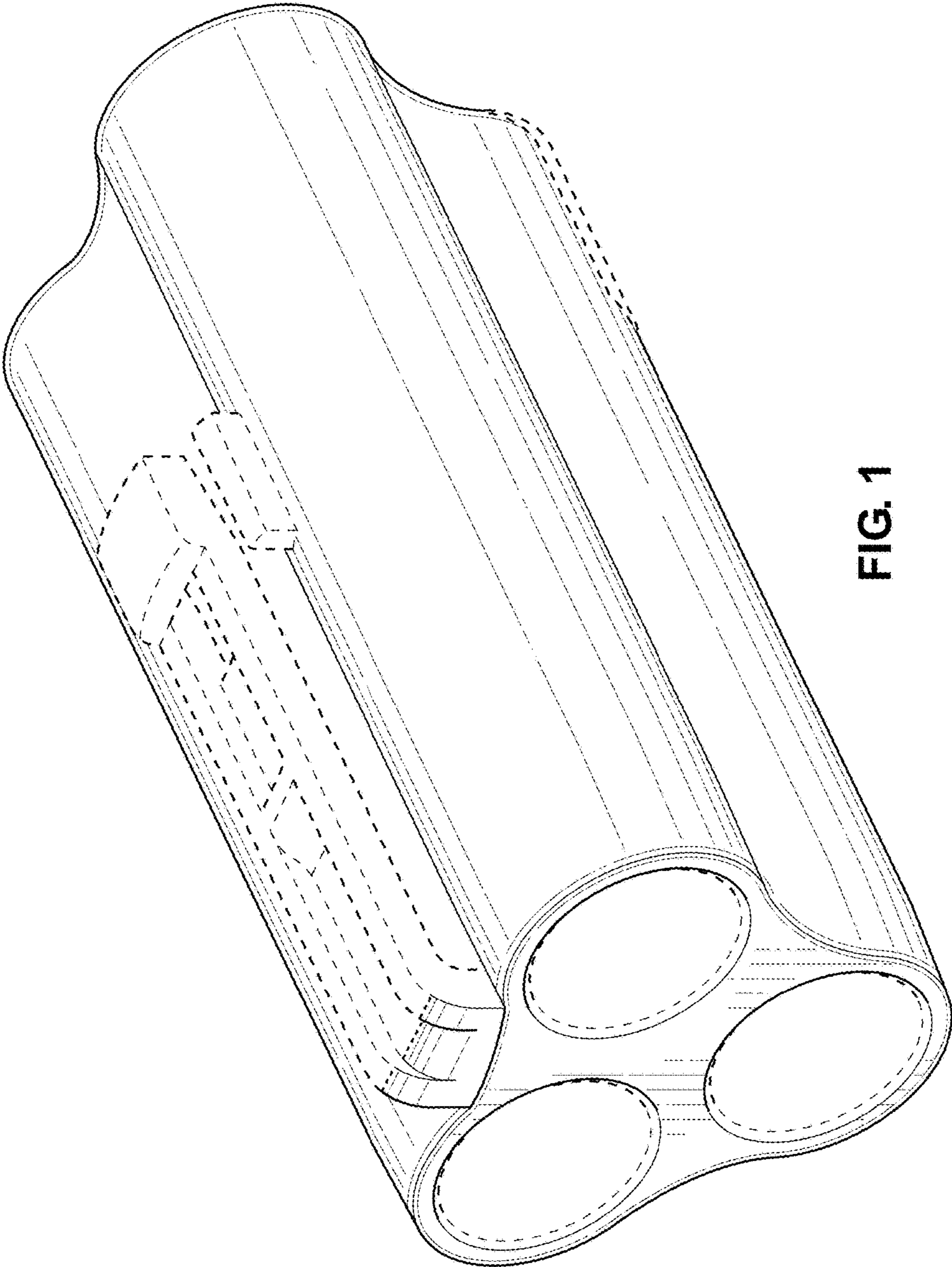


FIG. 1

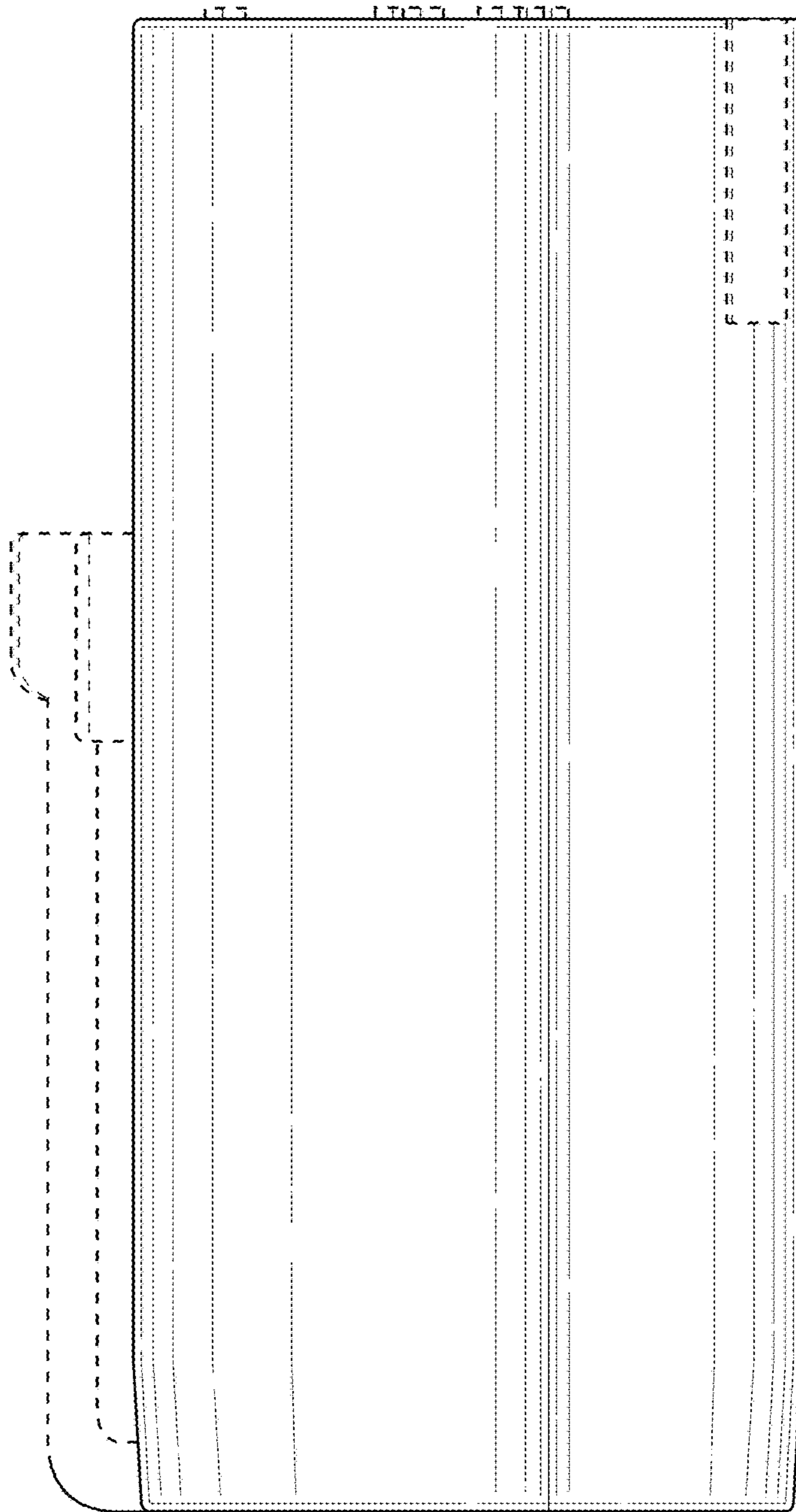


FIG. 2



FIG. 3

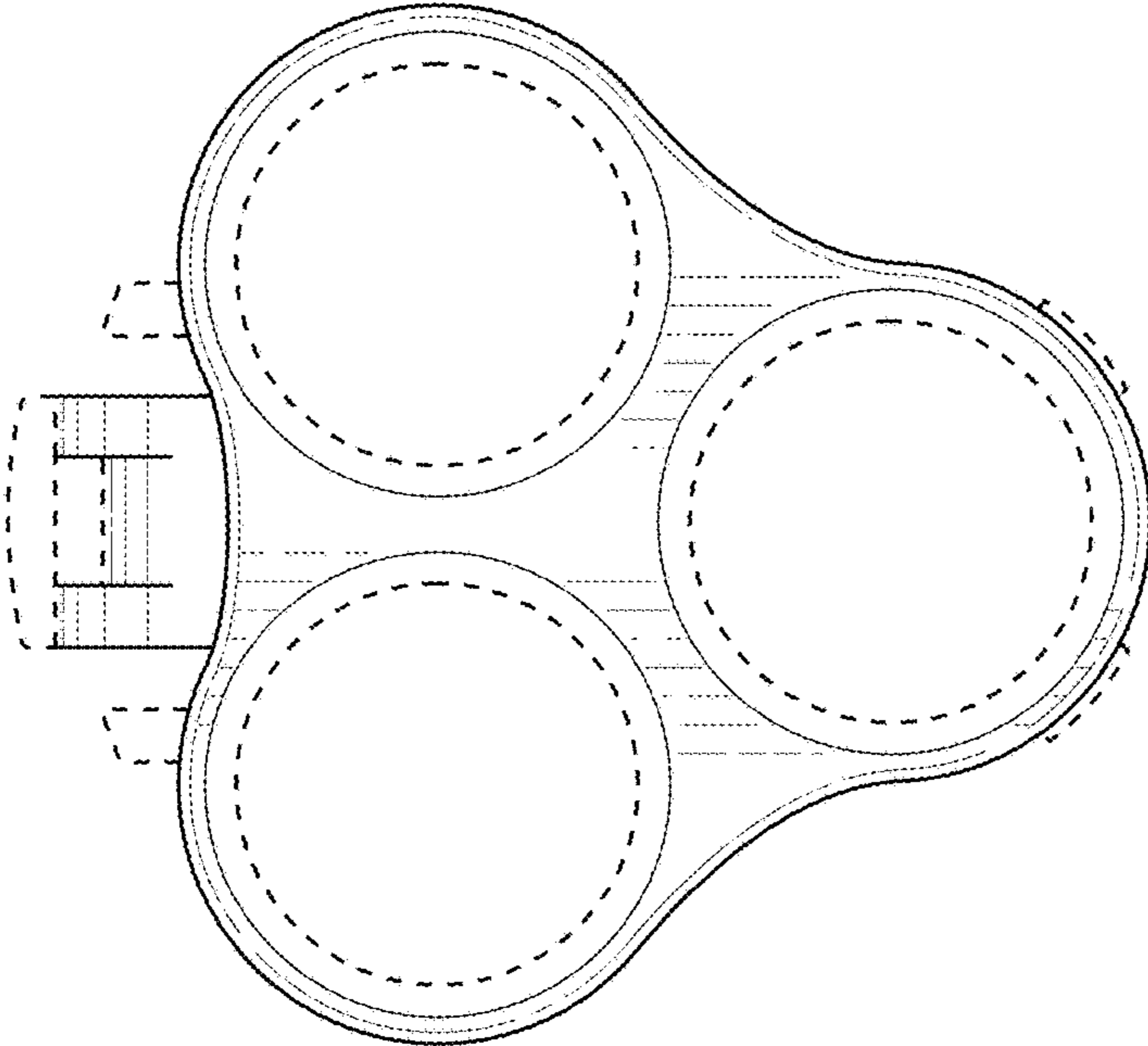


FIG. 4

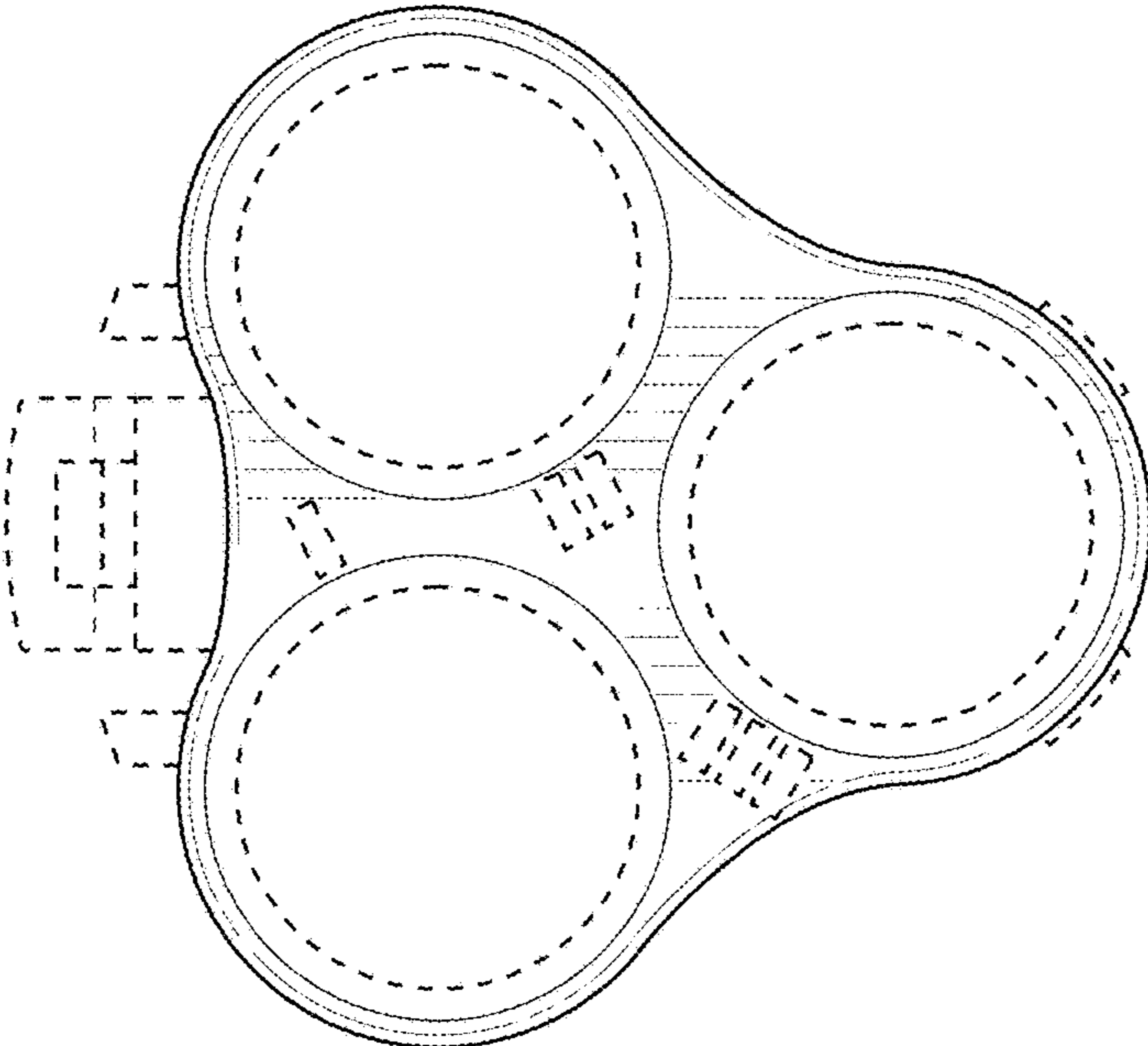


FIG. 5

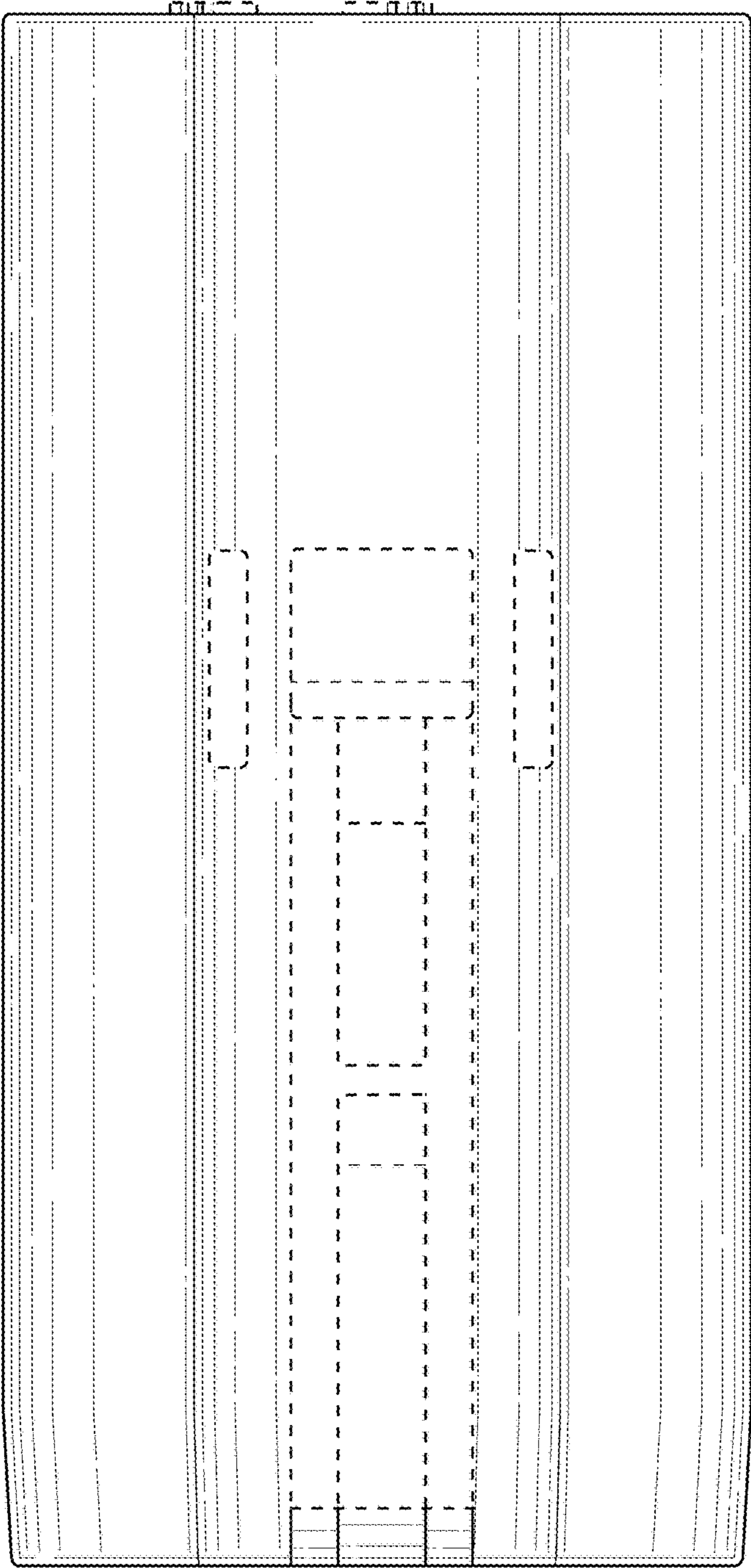


FIG. 6



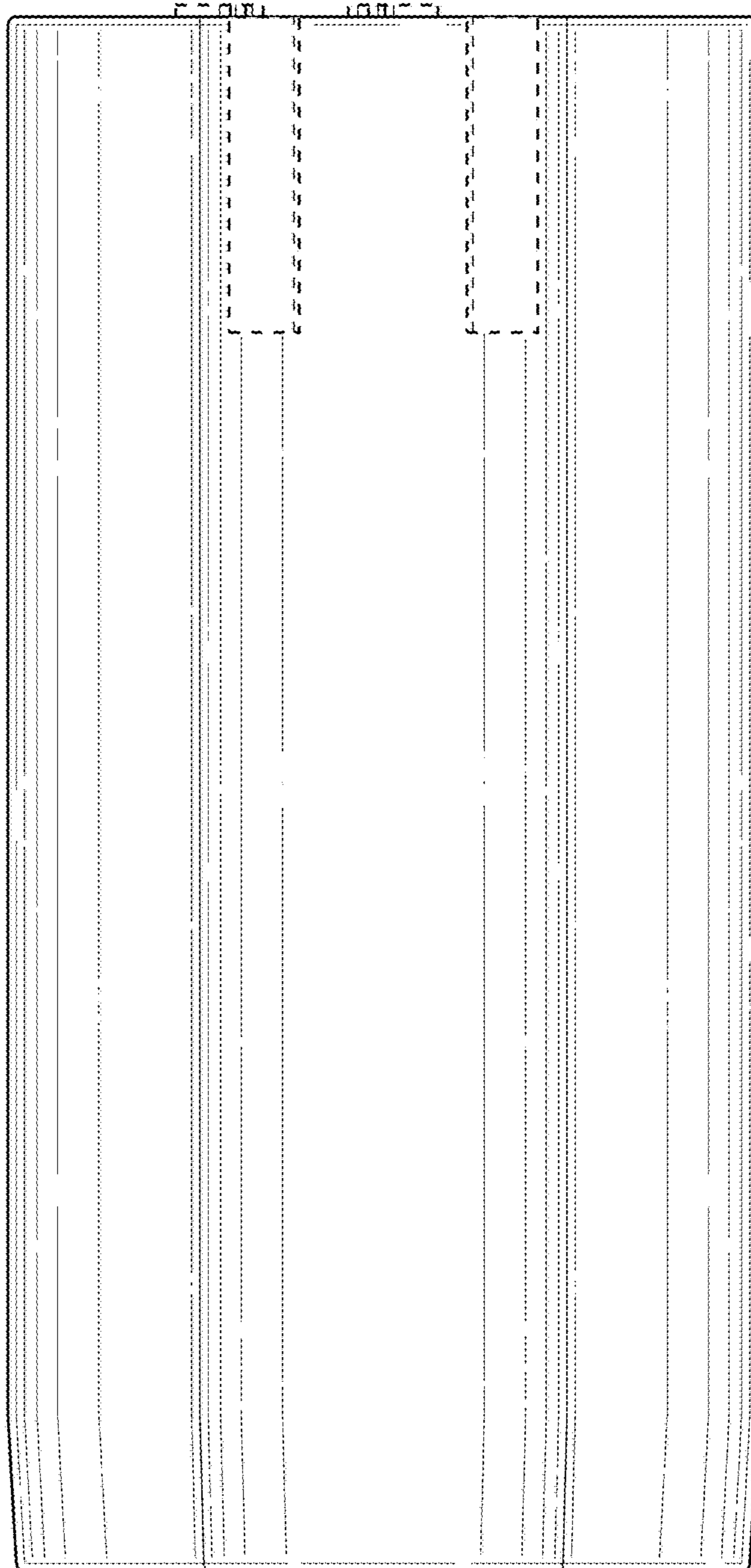


FIG. 7

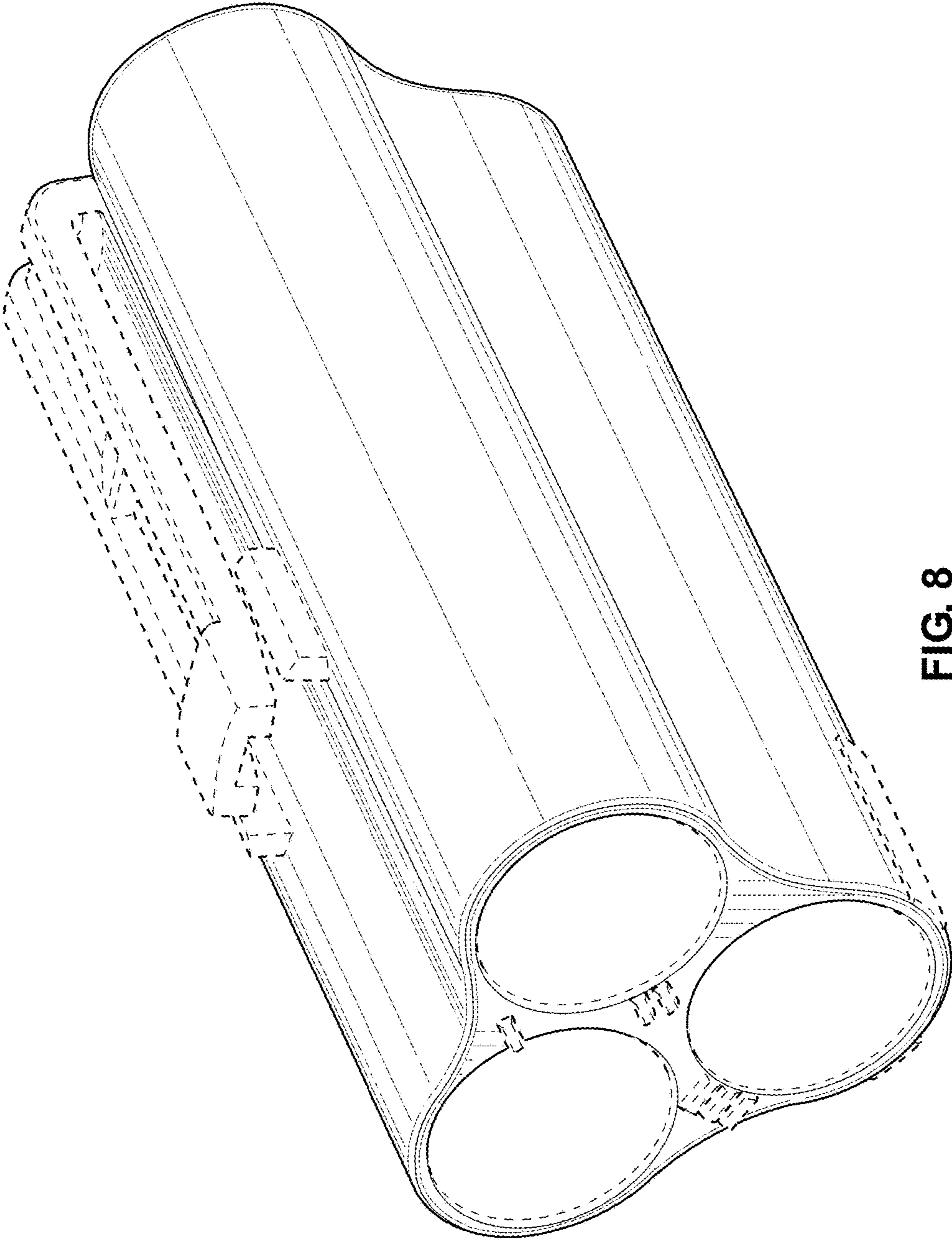


FIG. 8