



US00D866471S

(12) **United States Design Patent**
Xu

(10) **Patent No.:** **US D866,471 S**

(45) **Date of Patent:** **** Nov. 12, 2019**

- (54) **USB AC ADAPTER**
- (71) Applicant: **Hongfa Xu**, Guangdong (CN)
- (72) Inventor: **Hongfa Xu**, Guangdong (CN)
- (73) Assignee: **Shenzhen Lepower Electronic Co., Ltd.**, Shenzhen (CN)
- (**) Term: **15 Years**
- (21) Appl. No.: **29/653,609**
- (22) Filed: **Jun. 16, 2018**
- (51) **LOC (12) Cl.** **13-03**
- (52) **U.S. Cl.**
USPC **D13/137.2**
- (58) **Field of Classification Search**
USPC D13/107, 108, 110, 123, 133,
D13/137.1-137.4, 138.1-138.2,
D13/139.1-139.8, 152, 154, 184
CPC H01R 11/00; H01R 9/00; H01R 13/00;
H01R 13/04; H01R 13/10; H01R
13/6666; H01R 13/6675; H01R 25/00;
H01R 25/006; H01H 2207/00; H01H
2207/022
See application file for complete search history.

- 8,182,274 B1 * 5/2012 Cheng H01R 13/652
439/131
- D681,551 S * 5/2013 Zaslaysky D13/110
- D694,183 S * 11/2013 Matsuoka D13/110
- D694,185 S * 11/2013 Matsuoka D13/110
- D711,824 S * 8/2014 Matsuoka D13/110
- D731,969 S * 6/2015 Ackloo D13/110
- D731,970 S * 6/2015 Kamath D13/110
- D734,259 S * 7/2015 Cephress D13/110
- D741,796 S * 10/2015 Robinson D13/103
- D762,173 S * 7/2016 Solomon D13/110
- D772,160 S * 11/2016 Roberts D13/110
- D790,464 S * 6/2017 He D13/110
- D795,190 S * 8/2017 Tzeng D13/110
- D807,822 S * 1/2018 Senff D13/110
- D819,566 S * 6/2018 Hung D13/110

* cited by examiner

Primary Examiner — Rosemary K Tarcza
Assistant Examiner — Christy M Nemeth

(57) **CLAIM**

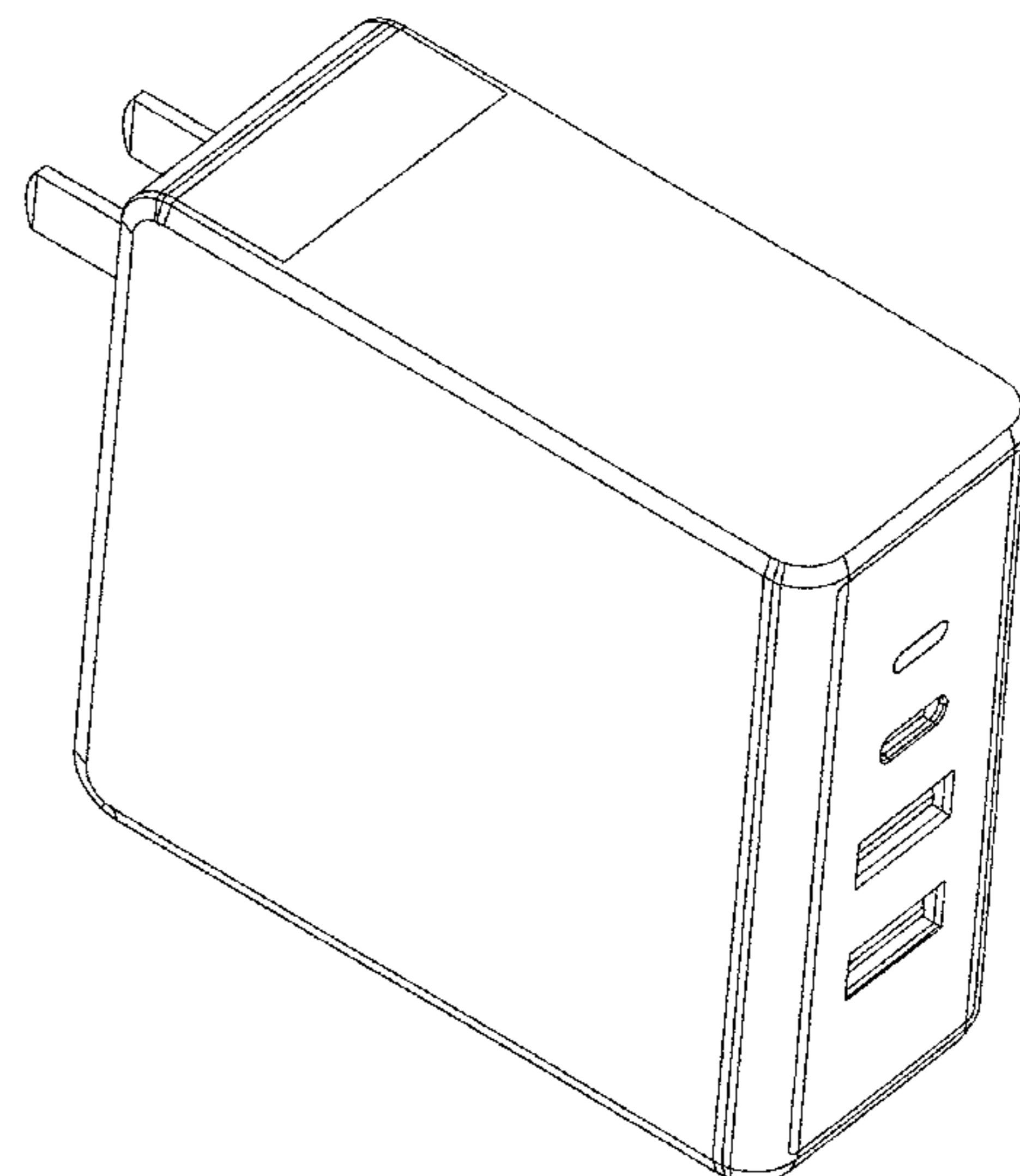
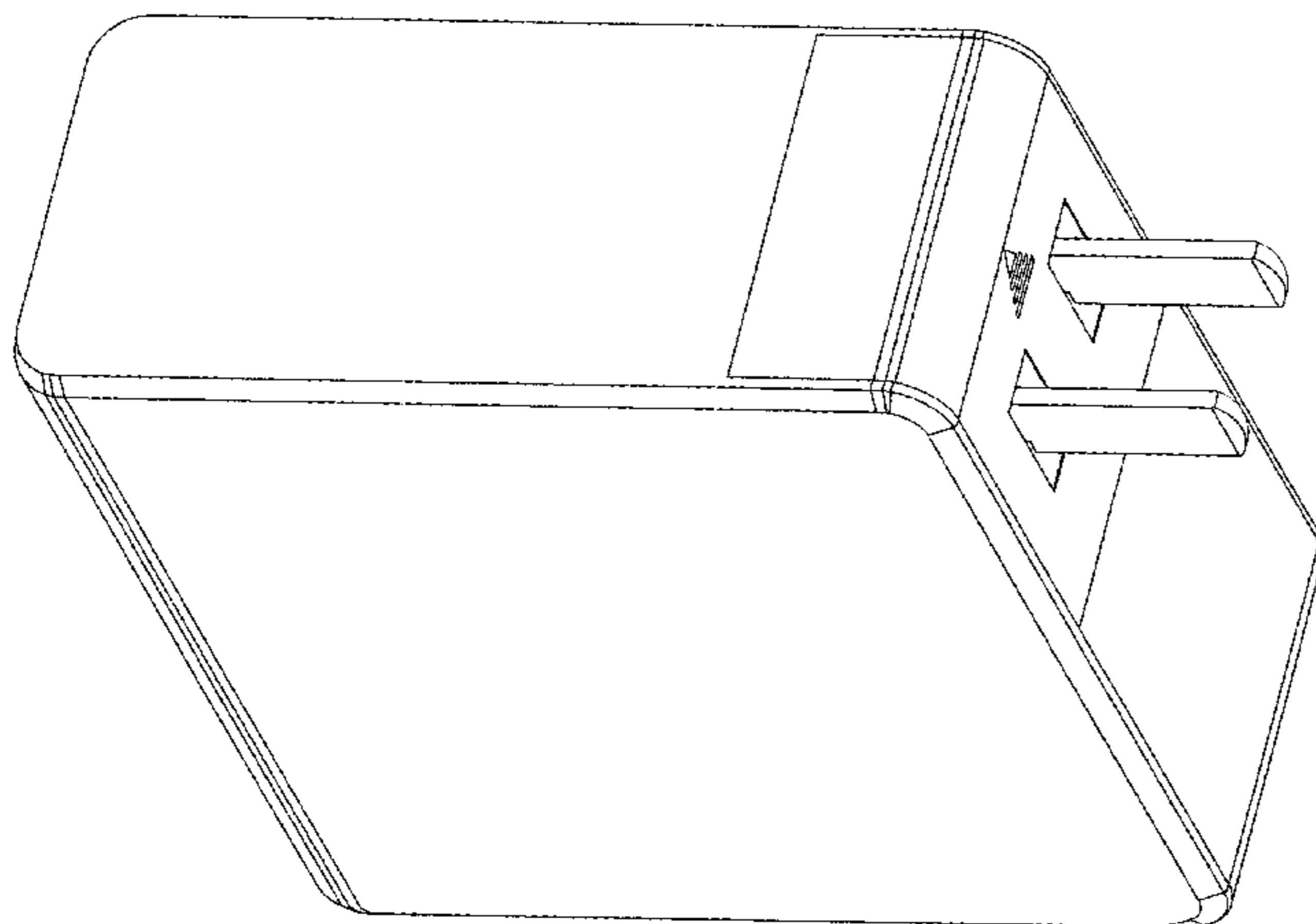
The ornamental design for a USB AC adapter, as shown and described.

DESCRIPTION

FIG. 1 is a perspective view of a USB AC adapter showing my new design;
FIG. 2 is another perspective view thereof;
FIG. 3 is a front elevational view thereof;
FIG. 4 is a rear elevational view thereof;
FIG. 5 is a left side view thereof;
FIG. 6 is a right side view thereof;
FIG. 7 is a top plan view thereof; and,
FIG. 8 is a bottom plan view thereof.
The broken lines in the drawings illustrate portions of the USB AC adapter that form no part of the claimed design.

1 Claim, 6 Drawing Sheets

- (56) **References Cited**
U.S. PATENT DOCUMENTS
D481,674 S * 11/2003 Sade D13/108
D572,712 S * 7/2008 Ledbetter D13/110
D573,946 S * 7/2008 Ledbetter D13/110
D588,065 S * 3/2009 Wadsworth D13/137.2
D639,238 S * 6/2011 Serrano D13/110
D659,095 S * 5/2012 McManigal D13/110
D660,795 S * 5/2012 Wen D13/110



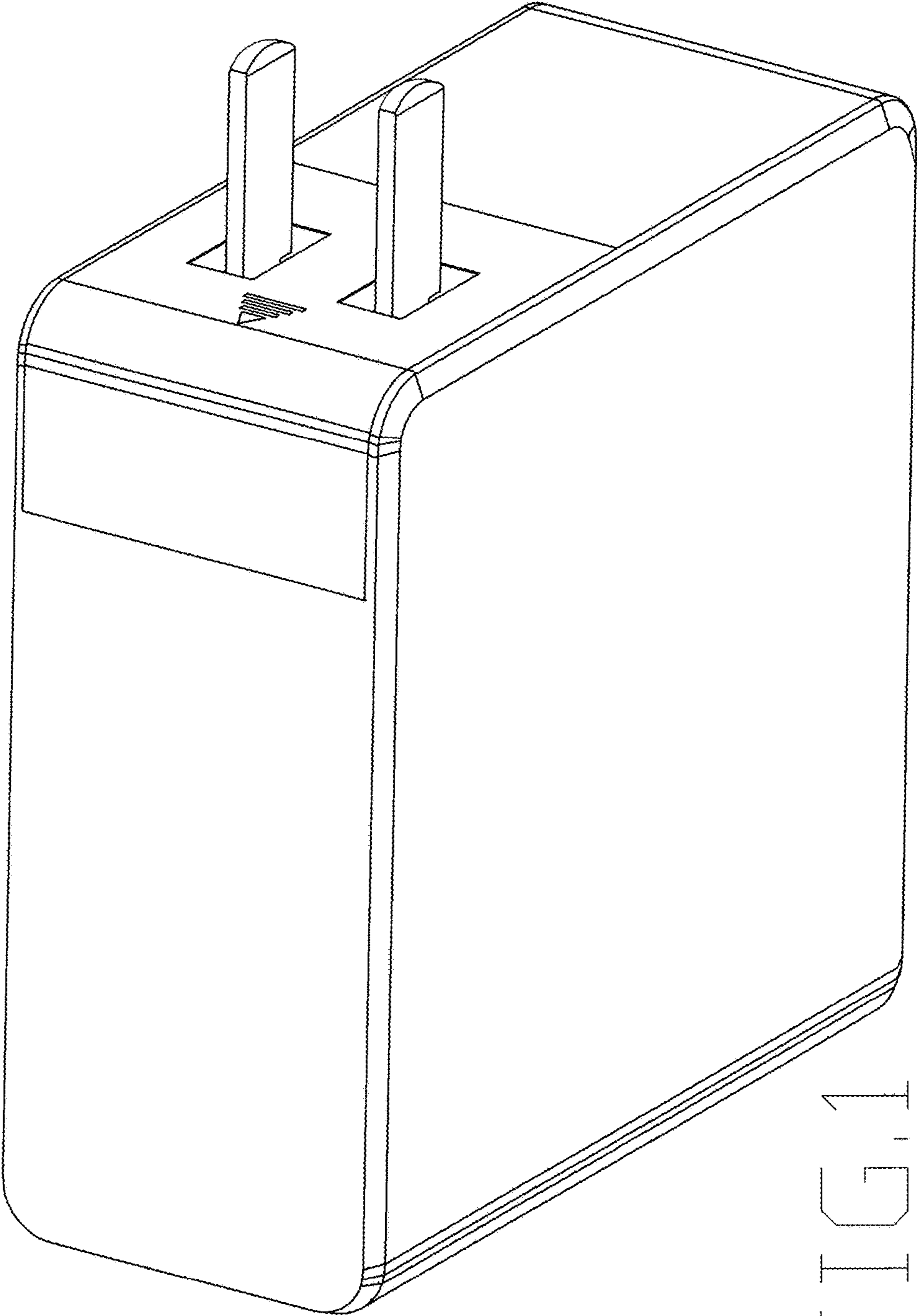


FIG. 1

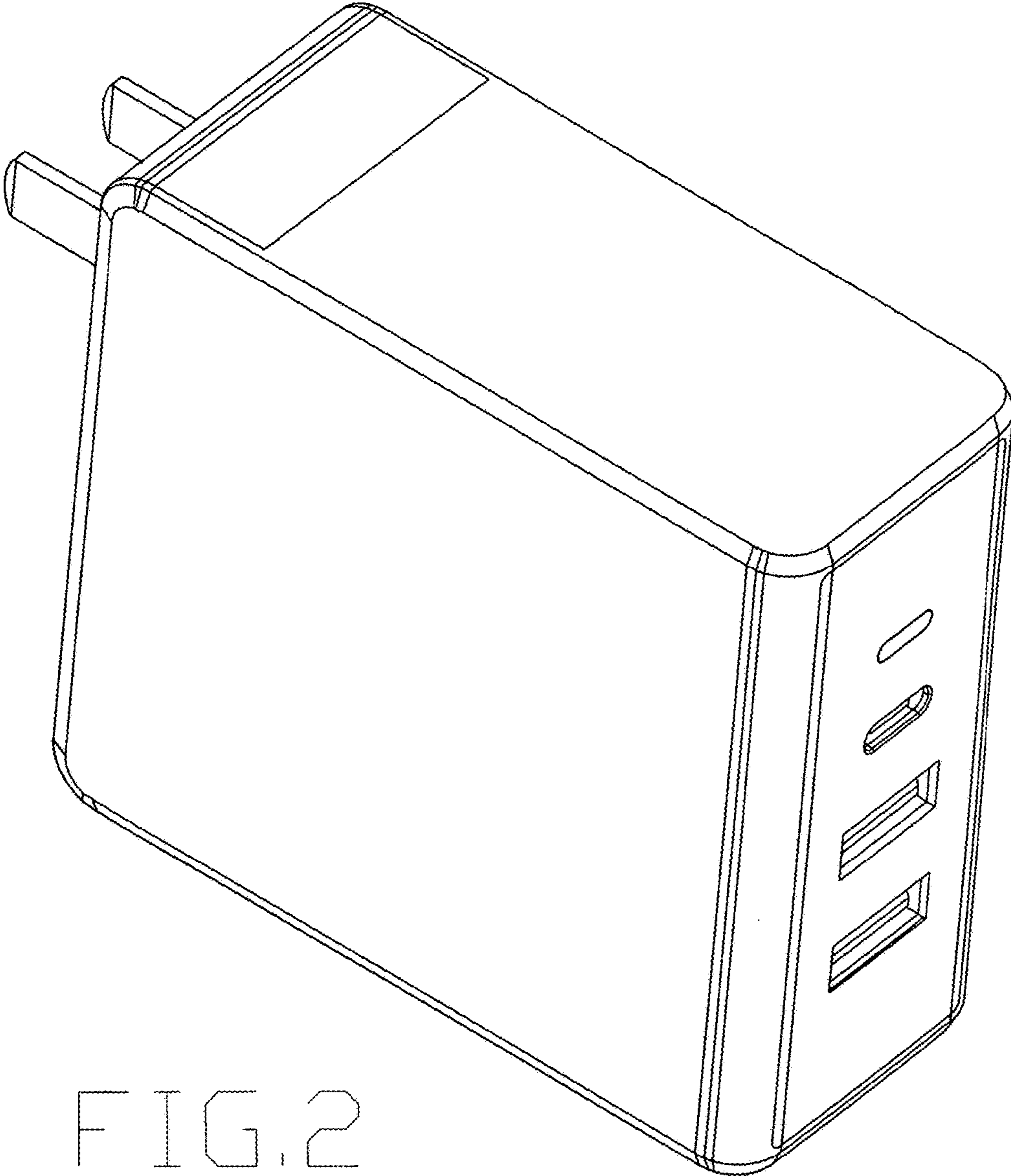


FIG. 2

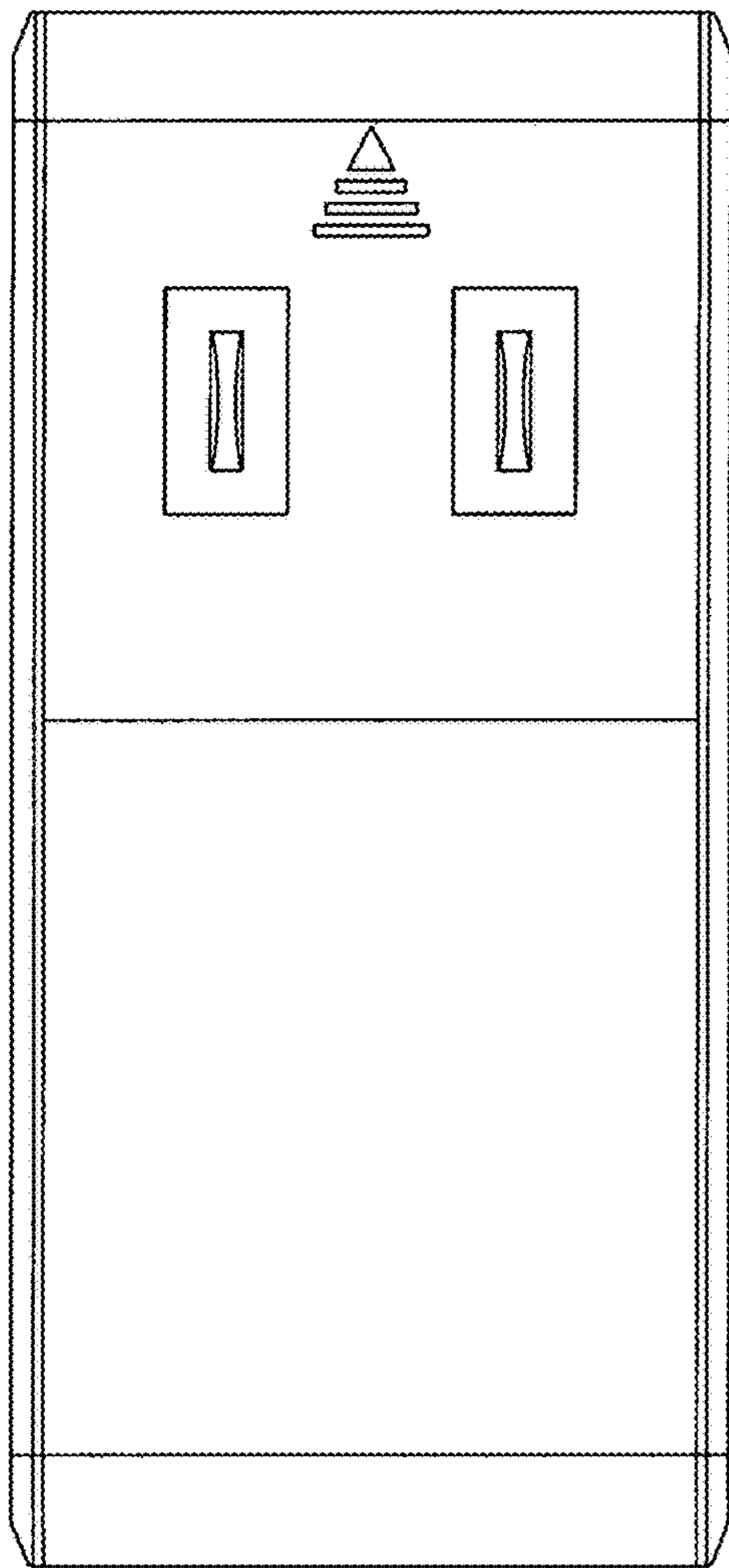


FIG. 3

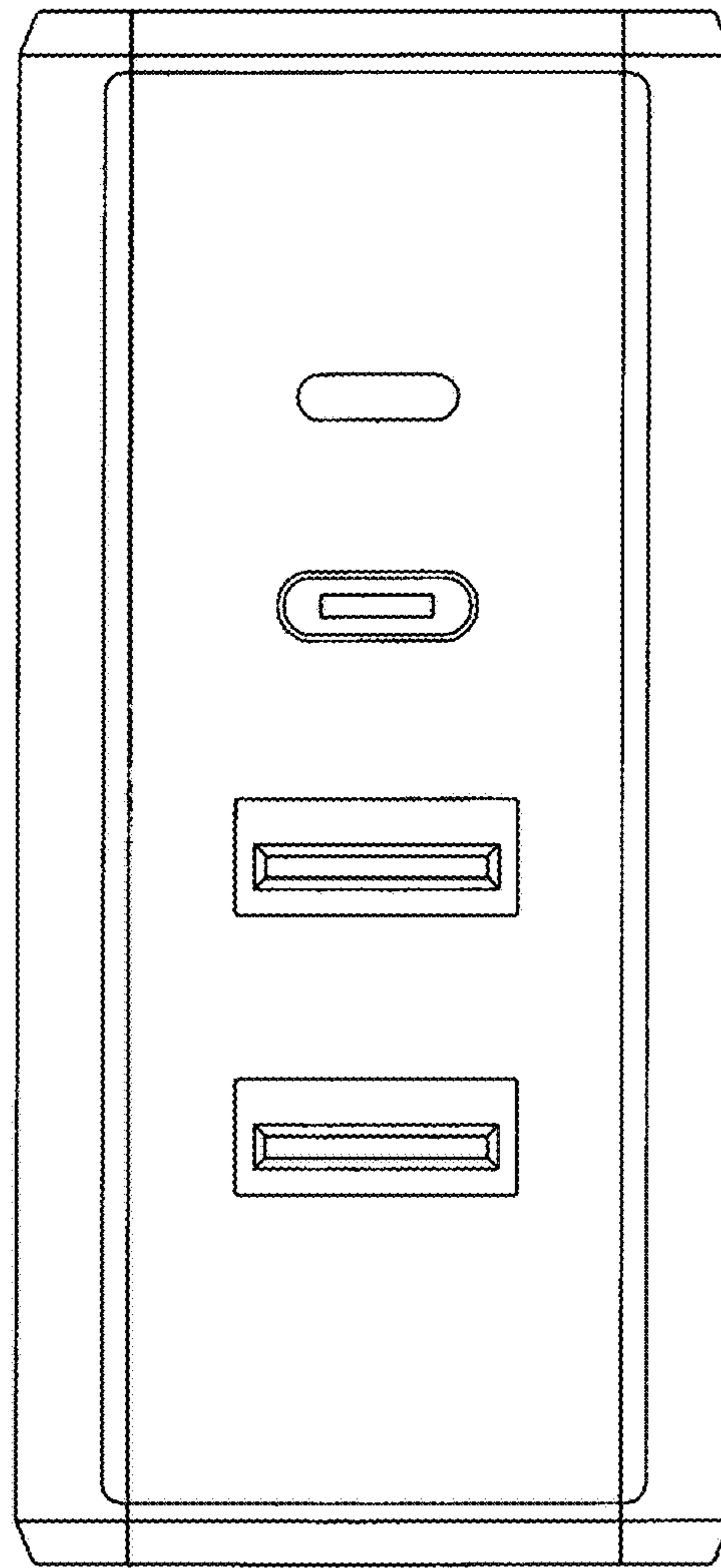


FIG. 4

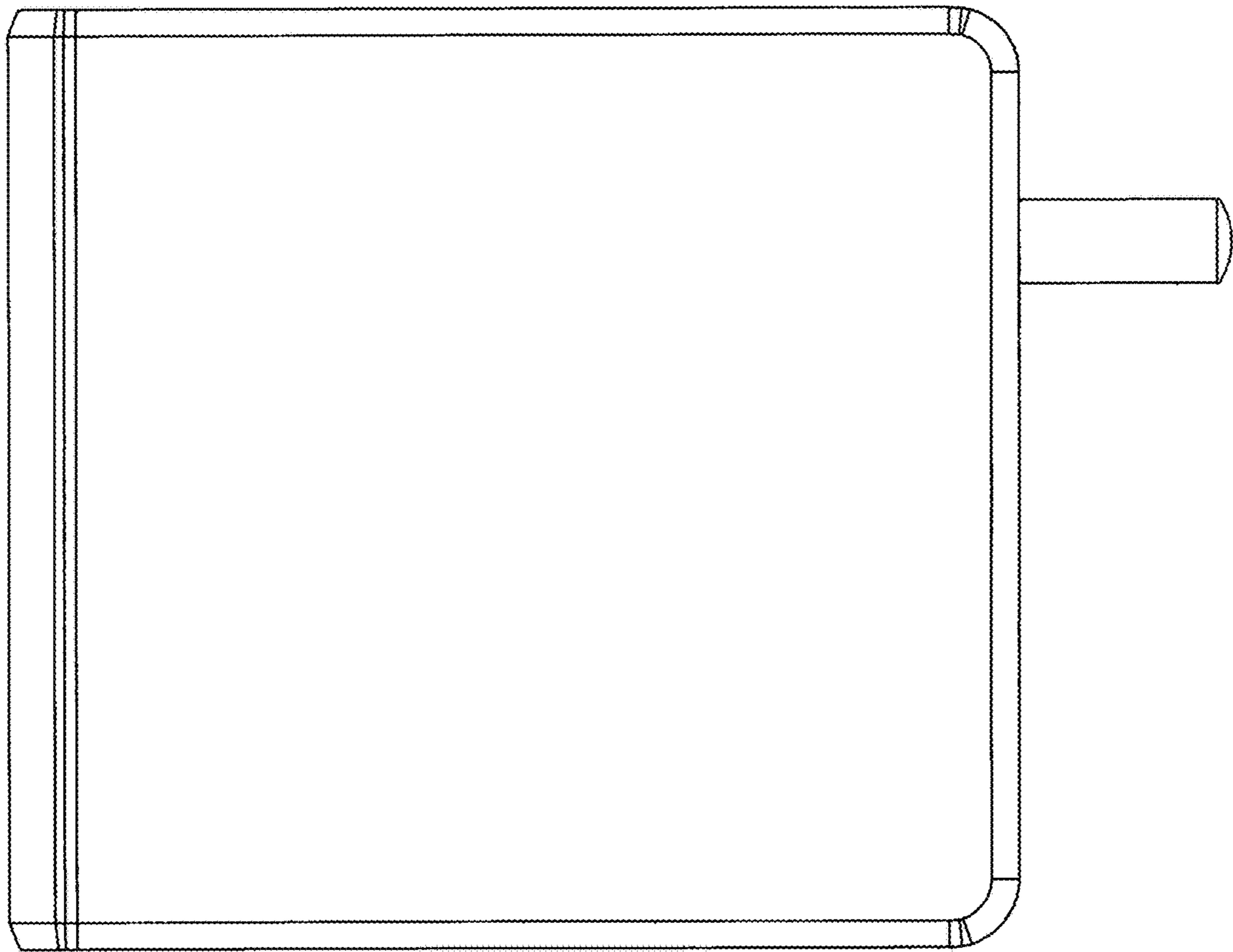


FIG. 5

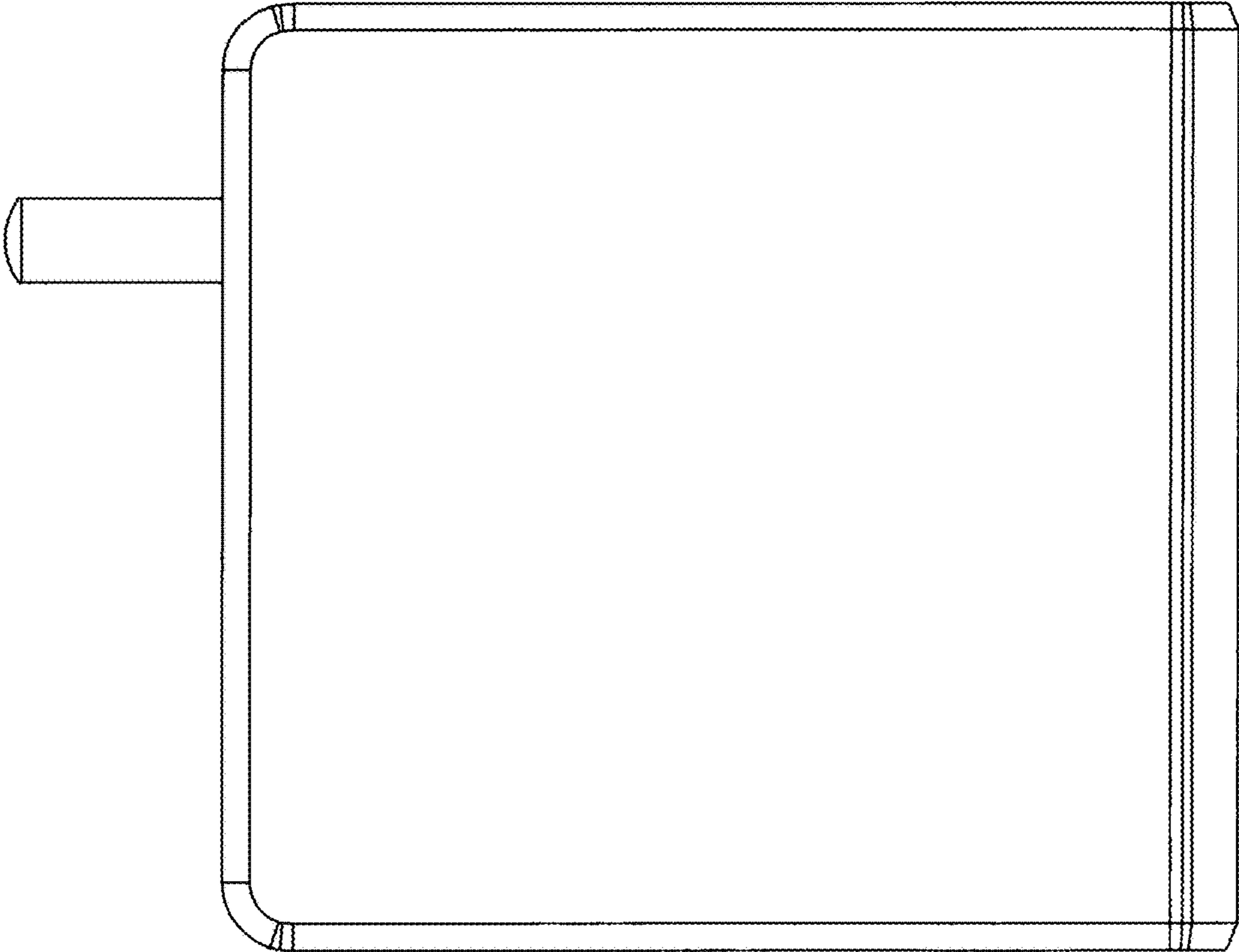


FIG. 6

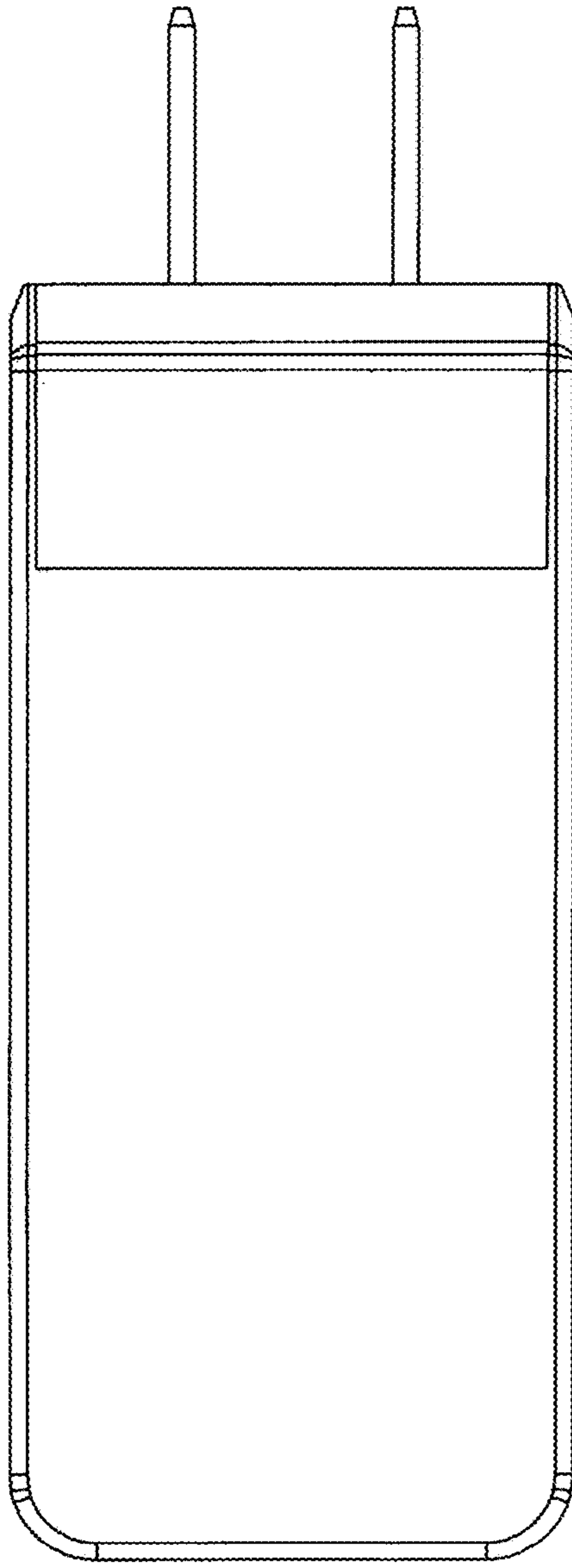


FIG. 7

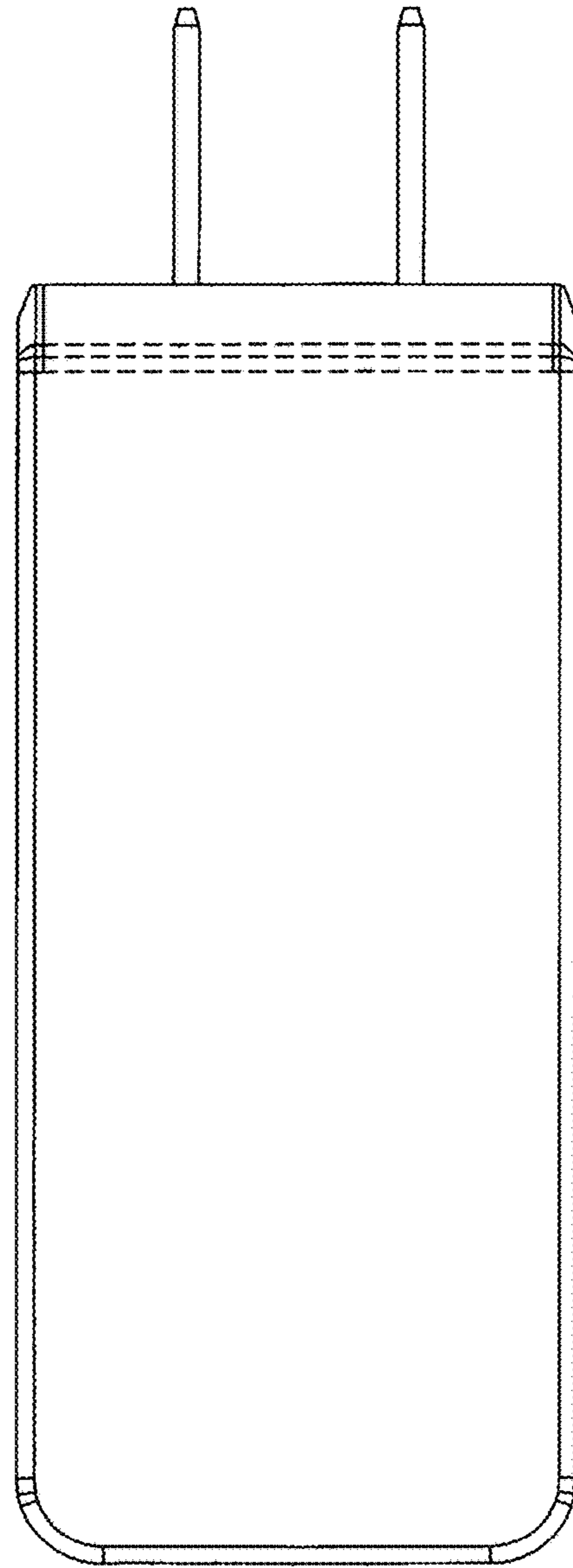


FIG. 8